

FINDLAY FLATS - RUSS ALLEY - 1625 VINE STREET, CINCINNATI, OHIO

NOT FOR CONSTRUCTION

PROJECT INFORMATION / CODE SUMMARY

PROJECT LOCATION: 1625 VINE STREET, CINCINNATI, OH 45202

PROJECT DESCRIPTION: PROJECT IS THE RENOVATION OF AN EXISTING BUILDING CONTRIBUTING TO THE OVER THE RHINE LOCAL AND FEDERAL HISTORIC DISTRICT. THE EXISTING BUILDING IS FOUR STORIES PLUS A BASEMENT AND AN UNOCCUPIED ATTIC WITH BRICK MASONRY BEARING WALLS AND WOOD-FRAMED FLOOR AND ROOF CONSTRUCTION (I.B.E.). THE BUILDING CONTAINS 12 EXISTING DWELLING UNITS (ON SECOND THROUGH FOURTH FLOORS) AND 2 NEW ANSI TYPE A ACCESSIBLE UNITS ARE PROPOSED IN THE REAR PORTION OF THE FIRST FLOOR. THE BASEMENT IS AN EXISTING STORAGE (S-1) OCCUPANCY AND THE FIRST FLOOR IS EXISTING BUSINESS (B) / MERCANTILE (M) OCCUPANCY. **A PARTIAL CHANGE OF OCCUPANCY IS PROPOSED UNDER THIS PERMIT APPLICATION.** THE REAR PORTION OF THE FIRST FLOOR WILL BE CHANGED TO RESIDENTIAL (R-2) AND THE FRONT PORTION OF THE FIRST FLOOR WILL BE CHANGED TO ASSEMBLY (A-2) FOR A FUTURE RESTAURANT TENANT. RESTAURANT TENANT IMPROVEMENTS WILL BE SUBMITTED FOR PLAN REVIEW UNDER A FUTURE SEPARATE PERMIT APPLICATION. NEW FIRE-RATED ASSEMBLIES WILL BE INSTALLED BETWEEN THE R-2 AREA AND THE A-2 / S-1 AREAS TO CREATE SEPARATED MIXED USES (REFER TO 508.4 OBC).

NEW WORK INCLUDES SELECTIVE DEMOLITION, MASONRY AND WOOD-FRAMING REPAIRS, NEW ROOFING, NEW DOORS, NEW WINDOWS, NEW INTERIOR PARTITIONS, NEW INTERIOR FINISHES, NEW KITCHENS, NEW BATHROOMS, FIRE RESISTANCE IMPROVEMENTS, ETC. AS DESCRIBED IN THESE DRAWINGS. THE WORK ALSO INCLUDES NEW HVAC, ELECTRICAL, PLUMBING, AND FIRE SUPPRESSION SYSTEMS. THE ELECTRICAL, PLUMBING, AND FIRE SUPPRESSION WORK WILL BE SUBMITTED FOR PLAN REVIEW UNDER SEPARATE PERMIT APPLICATIONS.

THIS PROJECT IS PURSUING STATE AND FEDERAL HISTORIC PRESERVATION TAX CREDITS AND LOW INCOME HOUSING TAX CREDITS. IT IS ALSO PURSUING ENTERPRISE GREEN COMMUNITIES CERTIFICATION.

ZONING REQUIREMENTS: THIS PROJECT IS LOCATED IN THE COMMUNITY COMMERCIAL - PEDESTRIAN (CC-P) BASE DISTRICT, THE OVER THE RHINE LOCAL AND FEDERAL HISTORIC DISTRICT, AND THE URBAN PARKING OVERLAY DISTRICT.

A DENSITY VARIANCE WAS PREVIOUSLY APPROVED BY THE HISTORIC CONSERVATION BOARD TO ALLOW 2 NEW ANSI TYPE A ACCESSIBLE UNITS. REFER TO CASE COA202004.

GOVERNING CODE(S): 2017 OHIO BUILDING CODE (OBC) CINCINNATI BUILDING CODE (CBC)

EXISTING BUILDINGS: ALTERATIONS SHALL COMPLY WITH THE REQUIREMENTS FOR NEW CONSTRUCTION UNLESS TO THE EXTENT OF THE ALTERATION; THOSE PORTIONS OF THE BUILDING NOT ALTERED ARE NOT REQUIRED TO COMPLY WITH THE REQUIREMENTS FOR NEW CONSTRUCTION. SEE SECTION 304.0 OF THE OHIO BUILDING CODE.

OCCUPANCY GROUPS: A CERTIFICATE OF OCCUPANCY IS REQUESTED FOR THE R-2 RESIDENTIAL UNITS AND THE S-1 STORAGE AREA ONLY UNDER THIS PERMIT APPLICATION. THE A-2 ASSEMBLY STOREFRONT SPACE WILL OBTAIN A CERTIFICATE OF OCCUPANCY UNDER A SEPARATE FUTURE TENANT IMPROVEMENT PERMIT APPLICATION. ALLOWABLE STOREFRONT TENANT OCCUPANCIES ARE TO BE ESTABLISHED UNDER THIS PERMIT APPLICATION.

	EXISTING	PROPOSED
BASEMENT ¹	STORAGE (S-1)	STORAGE (S-1)
FIRST FLOOR ¹	BUSINESS / MERCANTILE	FUTURE RESTAURANT (A-2) + 2 NEW ANSI TYPE A ACCESSIBLE UNITS (R-2)
SECOND FLOOR ¹	RESIDENTIAL (R-2)	RESIDENTIAL (R-2)
THIRD FLOOR	RESIDENTIAL (R-2)	RESIDENTIAL (R-2)
FOURTH FLOOR	RESIDENTIAL (R-2)	RESIDENTIAL (R-2)
ATTIC	UNOCCUPIED	UNOCCUPIED

FOOTNOTES:
 1. A TWO-HOUR FIRE-RATED FLOOR/CYLING ASSEMBLY WILL BE PROVIDED BETWEEN THE BASEMENT S-1 AND FIRST FLOOR R-2 IN THE REAR PORTION OF THE BUILDING AND A TWO-HOUR FIRE-RATED FLOOR/CYLING ASSEMBLY WILL BE PROVIDED BETWEEN THE FIRST FLOOR A-2 AND SECOND FLOOR R-2 IN THE FRONT PORTION OF THE BUILDING (AS REQUIRED TO CREATE SEPARATED MIXED USES PER 508.4 OBC). REFER TO CODE SECTION DIAGRAM ON SHEET A0.1.

CONSTRUCTION TYPE: TYPE III-B EXTERIOR WALLS ARE OF NONCOMBUSTIBLE MATERIALS OR OF FIRE-RETARDANT-TREATED WOOD, PROVIDING TWO-HOUR FIRE RATING.

REQ'D FIRE RESISTANCE RATING FOR BLDG. ELEMENTS PER TABLE 601 OBC	
PRIMARY FRAME	0 HOUR
EXTERIOR BEARING	2 HOURS
INTERIOR BEARING	0 HOUR
NON-BEARING	0 HOUR
FLOOR FRAMING	0 HOUR
ROOF FRAMING	0 HOUR

BUILDING HEIGHT AND AREA:

OCCUPANCY	ALLOWABLE ¹	EXISTING	PROPOSED ²
STORAGE (S-1)	AREA: 52,500 SF STORES: 4 HEIGHT: 75'	AREA: 54,190 SF STORES: 4 HEIGHT: 84'	AREA: 54,190 SF STORES: 4 HEIGHT: 84'
ASSEMBLY (A-2)	AREA: 28,500 SF STORES: 3 HEIGHT: 75'	AREA: 54,190 SF STORES: 3 HEIGHT: 84'	AREA: 54,190 SF STORES: 3 HEIGHT: 84'
RESIDENTIAL (R-2)	AREA: 14,000 SF STORES: 4 HEIGHT: 67'	AREA: 54,190 SF STORES: 4 HEIGHT: 84'	AREA: 54,190 SF STORES: 4 HEIGHT: 84'

FOOTNOTES:
 1. ALLOWABLE VALUES ARE SHOWN FOR CONSTRUCTION TYPE III-B EQUIPPED WITH AN NFPA-13R SPRINKLER IN RESIDENTIAL AREAS AND AN NFPA-13 SPRINKLER OTHERWISE.
 2. A TWO-HOUR FIRE-RATED FLOOR/CYLING ASSEMBLY WILL BE PROVIDED BETWEEN THE BASEMENT S-1 AND FIRST FLOOR R-2 IN THE REAR PORTION OF THE BUILDING AND A TWO-HOUR FIRE-RATED FLOOR/CYLING ASSEMBLY WILL BE PROVIDED BETWEEN THE FIRST FLOOR A-2 AND SECOND FLOOR R-2 IN THE FRONT PORTION OF THE BUILDING (AS REQUIRED TO CREATE SEPARATED MIXED USES PER 508.4 OBC). REFER TO CODE SECTION DIAGRAM ON SHEET A0.1.

FIRE-RESISTANT CONSTRUCTION:

	MINIMUM FIRE RESISTANCE RATING	MINIMUM OPENING PROTECTION RATING PER TABLE 716 OBC
DWELLING UNITS (FIRE PARTITIONS)	1 HOUR PER 708.3 OBC	45 MINUTES
CORRIDOR WALL (FIRE PARTITIONS)	30 MIN PER 1020.1 OBC	20 MINUTES
EXIT STAIRS + 3 STORES (FIRE BARRIERS)	2 HOUR PER 1023.2 OBC	90 MINUTES

INTERIOR FINISH RATINGS:

	CEILING AND WALL COVERINGS PER TABLE 803.1.1 OBC AND FLOOR COVERINGS PER SECTION 804.1 OBC ¹	CORRIDORS	ROOMS
STORAGE (S-1)	CLASS C CLASS II	CLASS C CLASS II	CLASS C CLASS II
ASSEMBLY (A-2)	CLASS B CLASS II	CLASS B CLASS II	CLASS C CLASS II
RESIDENTIAL (R-2)	CLASS C CLASS II	CLASS C CLASS II	CLASS C CLASS II

FOOTNOTES:
 1. TRADITIONAL FLOOR COVERINGS NOT COMPRISED OF FIBERS (E.G. TILE, VINYL, AND WOOD) ARE PERMITTED. FIBER-BASED FLOOR COVERINGS (E.G. CARPET) CLASSIFIED PER NFPA 253 AND SATISFYING ASTM D2859 (PILL TEST) ARE PERMITTED.

AUTOMATIC SPRINKLER SYSTEM: THE BUILDING IS CURRENTLY NOT PROTECTED BY AN AUTOMATIC SPRINKLER SYSTEM: A NEW AUTOMATIC SPRINKLER WILL BE INSTALLED UNDER A SEPARATE PERMIT APPLICATION. THE AUTOMATIC SPRINKLER SYSTEM TO COMPLY WITH NFPA-13R IN THE S-1 STORAGE AND A-2 RESTAURANT AREAS (THE BASEMENT AND FRONT PORTION OF FIRST FLOOR) AND IS TO COMPLY WITH NFPA-13R IN THE R-2 RESIDENTIAL AREAS (THE REAR PORTION OF THE FIRST FLOOR AND FLOORS TWO THROUGH FOUR).

NEW SPRINKLER HEAD(S) ARE TO BE INSTALLED AT WINDOW OPENINGS ADJACENT TO THE FIRE ESCAPE PATH OF TRAVEL TO PROVIDE "WATER CURTAIN" TYPE OPENING PROTECTION PER PREVIOUSLY APPROVED CINCINNATI DEPARTMENT OF BUILDINGS AND INSPECTIONS ALTERNATIVE ENGINEERED DESIGN (A.E.D.). REFER TO APPROVED ALTERNATIVE ENGINEERED DESIGN LETTER ON A0.3a. THE FOLLOWING REQUIREMENTS SHALL BE SATISFIED:

- WHEN APPLYING FOR THE FIRE SUPPRESSION PERMIT FOR THIS ADDRESS, THE FIRE SUPPRESSION SUBCONTRACTOR MUST SUBMIT A LETTER FROM THE SPRINKLER HEAD MANUFACTURER VERIFYING THAT THE PROPOSED SPRINKLER HEAD(S) PROVIDE 100% GLAZING COVERAGE.
- A SMOKE DETECTOR MUST BE INSTALLED IN EACH ROOM WHERE A WINDOW OPENING IS PROTECTED BY A SPRINKLER HEAD (REFER TO ELECTRICAL DWGS).
- THIS SMOKE DETECTOR SHALL BE HARDWIRED AND INTERCONNECTED WITH THE OTHER SMOKE DETECTORS LOCATED INSIDE THE SAME DWELLING UNIT.
- PLASTIC PIPING SHALL NOT BE EXPOSED.

SPRINKLER DRAWINGS ARE TO BE PREPARED BY THE SPRINKLER SUBCONTRACTOR AND SUBMITTED FOR PLAN REVIEW UNDER A SEPARATE SPRINKLER PERMIT APPLICATION.

AUTOMATIC STANDPIPE SYSTEM: THE BUILDING IS CURRENTLY NOT PROTECTED BY AN AUTOMATIC STANDPIPE SYSTEM; ONE IS TO BE REMAINED UNPROTECTED UNDER THIS PERMIT APPLICATION. PER 106.1 OBC, STANDPIPES ARE REQUIRED ONLY IN NEW BUILDINGS. THE PORTION OF THE BUILDING UNDERGOING A CHANGE OF OCCUPANCY (THE FRONT PORTION OF THE FIRST FLOOR) WOULD NOT REQUIRE A STANDPIPE SYSTEM IF IT WERE NEW CONSTRUCTION BECAUSE THE STORY IS NOT MORE THAN 35' ABOVE THE LOWEST LEVEL OF FIRE DEPARTMENT ACCESS AND BECAUSE THE ASSEMBLY OCCUPANT LOAD IS NOT MORE THAN 1,000 PEOPLE.

PORTABLE FIRE EXTINGUISHERS: NEW PORTABLE FIRE EXTINGUISHERS WILL BE INSTALLED THROUGHOUT THE S-1 STORAGE AND A-2 ASSEMBLY SPACES. THE MAXIMUM TRAVEL DISTANCE TO A FIRE EXTINGUISHER SHALL BE 75 FEET. COORDINATE THE LOCATION OF FIRE EXTINGUISHERS WITH ARCHITECT. EACH DWELLING UNIT WILL BE EQUIPPED WITH A PORTABLE FIRE EXTINGUISHER WITH A MINIMUM RATING OF 1-A:10-B:C.

AUTOMATIC FIRE ALARM: THE BUILDING IS CURRENTLY NOT PROTECTED BY AN AUTOMATIC FIRE ALARM AND WILL REMAIN UNPROTECTED. NEW SMOKE DETECTORS WILL BE INSTALLED WITHIN EACH DWELLING UNIT PER SECTION 907.2.1.1 OBC. SMOKE DETECTORS WILL BE HARD-WIRED WITH BATTERY BACK UP AND WILL BE INTERCONNECTED WITHIN A DWELLING UNIT.

MEANS OF EGRESS:

	FLOOR AREA	LOAD FACTOR PER 1004 OBC	CALCULATED OCCUPANT LOAD
S-1 STORAGE	85MT: 3,988 GSF	300 SF (GROSS)	85MT: 14 PEOPLE
A-2 RESTAURANT	TO BE DETERMINED UNDER A FUTURE TENANT FIT OUT PERMIT APPLICATION.		
R-2 APARTMENTS	1ST FLOOR: 1,612 GSF 2ND FLOOR: 4,148 GSF 3RD FLOOR: 4,148 GSF 4TH FLOOR: 4,190 GSF	200 SF (GROSS)	1ST FLOOR: 9 PEOPLE 2ND FLOOR: 21 PEOPLE 3RD FLOOR: 21 PEOPLE 4TH FLOOR: 21 PEOPLE 86 PEOPLE (BLDG TOTAL)

THE BASEMENT IS PROVIDED WITH AN EXIT ACCESS STAIR TO THE FIRST FLOOR AND AN INTERIOR EXIT STAIR. THESE TWO EXITS ARE REMOTE AND THE COMMON PATH OF EGRESS TRAVEL COMPLIES WITH TABLE 1006.2.1 OBC AND TOTAL EXIT ACCESS TRAVEL DISTANCE COMPLIES WITH TABLE 1017.2 OBC. THE 2 NEW ANSI TYPE A ACCESSIBLE UNITS ON THE FIRST FLOOR ARE SINGLE EXITS AND THE COMMON PATH OF EGRESS TRAVEL COMPLIES WITH TABLE 1006.2.1 OBC. THE PROPOSED RESTAURANT SPACE IN THE FRONT PORTION OF THE FIRST FLOOR IS PROVIDED WITH TWO EXIT ACCESSES AND THEY ARE REMOTE. REFER TO EGRESS DIAGRAMS ON SHEET A0.1.

THE SECOND THROUGH FOURTH FLOORS EACH CONTAIN FOUR DWELLING UNITS. EACH DWELLING UNIT IS PROVIDED WITH TWO EXITS, AN INTERIOR EXIT STAIR AND A FIRE ESCAPE. THE EXITS ARE REMOTE WITHIN EACH DWELLING UNIT. ACCESS TO THE FIRE ESCAPE FROM THE SOUTHWEST UNITS PASSES THROUGH EXISTING SLEEPING ROOMS. ACCESS TO THE FIRE ESCAPE FROM THE NORTHWEST UNITS PASSES THROUGH EXISTING BATHROOMS. THE PLAN CONFIGURATION IS AN EXISTING CONDITION AND NO ALTERATION IS PROPOSED UNDER THIS PERMIT APPLICATION. THE DOOR HARDWARE FOR THESE ROOMS IS TO PROVIDE FREE EGRESS TO THE FIRE ESCAPE (NO PRIVACY BUTTON OR LOCKS ARE PERMITTED). FOR EACH DWELLING UNIT, THE COMMON PATH OF EGRESS TRAVEL COMPLIES WITH TABLE 1006.2.1 OBC AND THE TOTAL EXIT ACCESS TRAVEL DISTANCE COMPLIES WITH TABLE 1017.2 OBC. REFER TO EGRESS DIAGRAMS.

ANSI TYPE B UNITS ARE NOT REQUIRED PER 341.1.9 OBC. AN ACCESSIBLE MEANS OF EGRESS IS NOT REQUIRED IN EXISTING BUILDINGS PER THE EXCEPTION TO 1009.1 OBC.

THE ENTRANCE TO THE FIRST FLOOR STOREFRONT TENANT SPACE IS EXISTING TO REMAIN. UNDER THIS PERMIT APPLICATION, TWO NEW ACCESSIBLE RESTROOMS WILL BE INSTALLED IN THE STOREFRONT TENANT SPACE.

ACCESSIBILITY: PER LOW INCOME HOUSING TAX CREDIT PROGRAM REQUIREMENTS, 2 NEW ANSI TYPE A UNITS WILL BE PROVIDED. ANSI TYPE A UNITS ARE NOT REQUIRED BY THE OBC.

ABBREVIATIONS

AJ, ADJ. ALT. ALUM. APPX. ARCH. AVG. B.D. B.M. BLDG. BLKG. BSMT. CAB. CLOS. CUL. COL. CONC. CONTE. CPT. CASMET. C.F. CSMT. D.A. DIM. DEMO D.H. DR. DWG. EA. ELEC. ELEV. EQ. EQUIP. EXIST. F.E. F.L. F.N. F.L. FRMG. GA. GALV. G.P. G.W. H.R. H.W.D. HVA. HORIZ. I.D. IN. INSUL. L.	ADJUSTABLE ABOVE FINISHED FLOOR ALTERNATE APPROXIMATE ARCHITECTURAL AVERAGE BOTTOM OF BOARD BATHROOM BLOCKING BULBING CABINET CLOS. CONCRETE MASONRY UNIT COLUMN CONC. CONTIGUOUS CARPET CASEMENT CUBIC FEET DIA. OR DEPTH DIAMETER DIMENSION DEMOLISH OR DEMOLITION DOUBLE HUNG DOOR DISHWASHER DRAWING EACH ELEC. OR ELECTRICAL ELEVATION EQ. EQUIPMENT EXISTING FIRE EXTINGUISHER FOUNDATION FINISH/FLOOR FLOORING FOOT OR FLOOR JOIST LOOTING L.V. GALV. GALVANIZED GENERAL CONTRACTOR G.P. HIGH OR HEIGHT G.W. HIGH WIND HORIZONTAL HEATING, VENTILATION, & AIR CONDITIONING INSIDE DIAMETER INCHES INSULATION OR INSULATED LONG OR LENGTH	LB LF MAX. MECH. MFR. MIN. M.O.P. M.R. M.W. N. NORTH NO. N.O.M.A. N.T.S. O.C. O.D. O.P.S. OZ. PLWD. P.O. P. P.F. P.T. R. R.C.F. REF. REQ'D. REV. R.I.V. SECT. SPEC. S SIM. STD. STL. STSL. SQUARE T T.O.P. OF FRAMING TOOR OR FOOT TOOTING TYPE TYP. TV UNFO. UNITS V.F.F. W.W. W.D. W.F. W.H. W.I.D. X YD.	ROUND LINEAR FEET MAXIMUM MECHANICAL MANUFACTURER MINIMUM MASONRY OPENING MOSTURE RESISTANT MICROWAVE NORTH NUMBER NOT TO SCALE ON CENTER OPENING OUTSIDE DIAMETER OPENING QUINCE PLYWOOD PAINTED POUNDS PER SQUARE FOOT POUNDS PER SQUARE INCH PRESSURE TREATED RISER RAD. RADIUS REFLECTED CEILING PLAN REFRIGERATOR REQUIRED REVISION OR REVISION ROOM ROUGH OPENING ROOM SECTION WRITTEN SPECIFICATIONS SOUTH SIMILAR STANDARD STEEL STAINLESS STEEL SQUARE TOP OF TREAD TO BE DETERMINED TELEPHONE TYP. TYPICAL TELEVISION UNLESS NOTED OTHERWISE VERTICAL VERIFY IN FIELD WEST, WIDE OR WIDTH W/D WASHER & DRYER WOOD WINDOW WATER HEATER WATERPROOFING BY YARD	INDICATES AREA OF FLOOR OR ROOF INFILL (REFER TO STRUCTURAL DRAWINGS). INDICATES OPERING PROTECTED WITH WATER CURTAIN TYPE SPRINKLER HEAD PER OBC 106.5 REFER TO CODE INFO. ON COVER SHEET A0.0 FOR ADDITIONAL REQUIREMENTS.	INDICATES SAFETY GLAZING REQUIRED.
--	---	---	---	--	------------------------------------

REFERENCE PHOTO



LOCATION PLAN



GENERAL PROJECT NOTES

- THE GENERAL CONTRACTOR (G.C.) SHALL VERIFY ALL INFORMATION IN THESE DRAWINGS AND SHALL REPORT ANY ERRORS, OMISSIONS, OR DISCREPANCIES TO THE ARCHITECT BEFORE PROCEEDING WITH THE WORK. THE CONTRACTOR SHALL ASSUME RESPONSIBILITY FOR ANY DEPARTURES FROM THESE PLANS NOT APPROVED IN WRITING BY THE ARCHITECT.
- THE ARCHITECT HAS MADE NO INVESTIGATION TO DETERMINE IF ASBESTOS OR ANY OTHER HAZARDOUS MATERIAL IS PRESENT IN EXISTING CONSTRUCTION AND ASSUMES NO RESPONSIBILITY WITH REGARD TO ASBESTOS OR ANY OTHER HAZARDOUS MATERIAL.
- THE G.C. IS TO REVIEW THESE DRAWINGS AND VISIT THE SITE BEFORE COMMENCING THE PROJECT IN ORDER TO FAMILIARIZE HIM OR HERSELF WITH THE PROPOSED WORK.
- THE G.C. IS TO REMOVE ONLY THOSE ELEMENTS SLATED FOR DEMOLITION EITHER GRAPHICALLY OR BY NOTATION. NO OTHER ELEMENTS ARE TO BE REMOVED. IF THE CONTRACTOR QUESTIONS THE REMOVAL OF AN ELEMENT, OR IF THERE IS A CONFLICT BETWEEN THE NOTES AND THE GRAPHICS, CONTRACTOR IS TO ASK THE ARCHITECT IMMEDIATELY.
- THE G.C. IS TO PROTECT AND SAVE BUILDING ELEMENTS CONNECTED TO, OR ADJ. TO, THOSE ELEMENTS WHICH ARE SLATED TO BE REMOVED.
- THE G.C. SHALL NOT REMOVE ANY ELEMENTS WHICH MAY CAUSE THE STRUCTURE TO BECOME UNSTABLE, OR THAT WILL ROSE A RISK TO PERSONS OR PROPERTY, EVEN IF INDICATED IN PLANS. IF ANY ELEMENTS BECOME UNSTABLE, CONTRACTOR IS TO STABILIZE AND SHALL INFORM THE ARCHITECT/OWNER IMMEDIATELY.
- IT IS UP TO THE G.C. TO CONTINUALLY EVALUATE THE STRUCTURAL STABILITY OF THE BUILDING AND THE INTEGRITY OF ELEMENTS BOTH STRUCTURAL AND NON-STRUCTURAL THAT ARE SHOWN TO REMAIN. IF THE CONTRACTOR DETERMINES THAT SOME OF THESE ELEMENTS SHOULD BE REMOVED, HE/SHE MUST FIRST RECEIVE PERMISSION FROM THE ARCHITECT/OWNER, OR MAY BE FINANCIALLY RESPONSIBLE FOR THE REPLACEMENT OF THESE ELEMENTS.
- THE G.C. IS RESPONSIBLE FOR THE REMOVAL OF ALL TRASH AND DEBRIS THROUGHOUT THE WORK. ALL DEBRIS MUST BE REMOVED AND DISCARDED IN A SAFE AND LEGAL MANNER.
- THE G.C. IS RESPONSIBLE FOR THE PROCUREMENT OF ANY ADDITIONAL MATERIALS, EQUIPMENT, AND PERMITS AND FOR ANY FEES, PENALTIES OR RENTAL COSTS ASSOCIATED WITH THE DEMOLITION WORK.
- THE G.C. SHALL IDENTIFY, LOCATE AND PROTECT ANY ABOVE AND BELOW-GROUND UTILITIES OR AS THEY WILL ROSE A RISK TO PERSONS OR PROPERTY, EVEN IF INDICATED IN PLANS. CONTRACTOR IS TO LEAVE ALL UTILITIES LINES AND CONNECTIONS IN A STABLE, PROTECTED STATE.
- THE G.C. IS TO PROTECT THE BUILDING FROM THE ELEMENTS, THEFT AND VANDALISM AT ALL TIMES DURING WORK.
- ELECTRICAL, MECHANICAL, & PLUMBING DRAWINGS ARE INCLUDED. ELECTRICAL, PLUMBING, AND FIRE PROTECTION WORK IS TO BE UNDER SEPARATE PERMIT APPLICATION BY CONTRACTOR.
- FIRE PROTECTION (UNBURNED) DRAWINGS ARE INCLUDED. FIRE PROTECTION WORK IS TO BE UNDER A SEPARATE PERMIT APPLICATION BY CONTRACTOR. CONTRACTOR TO SUBMIT SPRINKLER DRAWINGS TO ARCHITECT FOR REVIEW FOR CONFORMANCE WITH PROJECT HISTORIC REQUIREMENTS.
- EXISTING FIRE ESCAPES ARE TO REMAIN. FIRE ESCAPE EVALUATION REQUIRED BY THE CITY OF CINCINNATI AND ASSOCIATED REPAIRS ARE UNDER A SEPARATE CONTRACT. FIRE ESCAPE REPAIRS ARE TO BE UNDER A SEPARATE PERMIT APPLICATION.

HISTORIC GENERAL NOTES

- THE PROJECT IS PURSUING STATE AND FEDERAL HISTORIC TAX CREDITS. ANY CHANGE TO THE PROPOSED WORK IN THE ATTACHED DRAWINGS AND/OR THE HISTORIC PART 2 OCCUPANCY ARE TO BE REVIEWED BY THE ARCHITECT UNDER A SEPARATE PERMIT APPLICATION. CHANGES ACCEPTABLE TO SHPO (STATE HISTORIC PRESERVATION OFFICE) AND NPS (NATIONAL PARK SERVICE). AMENDMENTS MAY NEED TO BE SUBMITTED TO SHPO/NPS FOR FORMAL APPROVAL. THE DATES OF THE APPROVED HISTORIC PART 2 DOCUMENTATION ARE BELOW:
 1625 VINE: MAY 8, 2023.
 1629 VINE: NOVEMBER 24, 2020
 1633 VINE (FRONT): DECEMBER 7, 2020
 1635 VINE (REAR): NOVEMBER 27, 2020
- IN-PROCESS DEMOLITION PHOTOS REQUIRED: AS PART OF THE PART 2 APPROVAL, DEMOLITION PHOTOS ARE REQUIRED TO BE TAKEN AFTER SELECTIVE DEMOLITION IN ORDER TO DOCUMENT ANY HISTORIC OR NON-HISTORIC MATERIALS THAT ARE UNCOVERED. PHOTOS WILL BE SUBMITTED TO SHPO FOR REVIEW PRIOR TO COMMENCING ANY NEW CONSTRUCTION WORK. PRIOR TO COMMENCEMENT OF DEMOLITION AND CONSTRUCTION, CONTRACTOR AND ARCHITECT TO MEET TO DISCUSS THE SELECTIVE DEMOLITION SCHEDULE AND APPROPRIATE SITE VISIT DATES FOR REVIEW AND DOCUMENTATION.

ENTERPRISE GREEN COMMUNITY NOTES (GREEN STANDARD)

- THE PROJECT WILL ACHIEVE ENTERPRISE GREEN COMMUNITIES (E.G.C.) CERTIFICATION, AND IS TO COMPLY WITH THE TECHNICAL REQUIREMENTS OF THE ENTERPRISE GREEN COMMUNITIES CRITERIA.
- REFER TO THE ENTERPRISE GREEN COMMUNITIES CHECKLIST, AND TO THE SPECIFICATIONS "SUSTAINABLE DESIGN REQUIREMENTS" SECTION FOR RELATED CRITERIA.

RADON MITIGATION GENERAL NOTE (DELEGATED DESIGN)

- PROVIDE A RADON MITIGATION SYSTEM IN ACCORDANCE WITH OHFA REQUIREMENTS - DELEGATED DESIGN.
- PROVIDE SHOP DRAWINGS SHOWING PROPOSED ROUTING, NO EXPOSED PIPING IN OCCUPIABLE SPACES ABOVE THE BASEMENT.
- COORDINATE W/ OWNER FOR SYSTEM REQUIREMENTS. TESTING TO BE PERFORMED TO DETERMINE IF SYSTEM WILL BE PASSIVE OR ACTIVE SYSTEM WITH FANS.
- PROVIDE POWER TO ROOF FOR POSSIBLE FUTURE RADON FANS. SEE ELECTRICAL DRAWINGS, AND COORDINATE LOCATIONS AND QUANTITY OF FUTURE FANS W/ ELECTRICAL CONTRACTOR AND RADON CONTRACTOR.

ACCESSIBILITY GENERAL NOTES

- THE PROJECT COMPLIES WITH THE ACCESSIBILITY REQUIREMENTS OF THE OHIO BUILDING CODE (OBC) AND THE ACCESSIBILITY REQUIREMENTS OF THE OHIO HOUSING FINANCE AGENCY (OHFA).
- REFER TO THE "ACCESSIBILITY" SECTION OF THE "PROJECT INFORMATION/CODE SUMMARY" ON SHEET A0.0 FOR OHIO BUILDING CODE ACCESSIBILITY REQUIREMENTS.
- THREE (3) ACCESSIBLE DWELLING UNITS ARE PROVIDED (1424 REPUBLIC ST., UNITS 13 & 14; 1430 REPUBLIC ST., UNIT 101 - SEE PLANS), WHICH ARE DESIGNED IN ACCORDANCE WITH ANSII 117.1 "TYPE A" DWELLING UNITS AS REQUIRED BY OHFA.
- SENSORY COMPATIBLE UNIT:** (1627 VINE ST., UNIT #201 - SEE PLANS) - AS REQUIRED FOR OHFA FUNDED PROJECTS, ONE (1) UNIT EQUAL TO 2% OF ALL UNITS, SEE FLOOR PLANS THAT IS **SENSORY COMPATIBLE FOR PERSONS WITH SIGHT AND HEARING DISORDERS** IS PROVIDED, SUCH UNITS SHALL COMPLY WITH THE 2010 ADA: SECTION 909.5 RESIDENTIAL DWELLING UNITS WITH COMMUNICATION FEATURES. BY PROVIDING THE FOLLOWING COMPONENTS:
 - HARD-WIRED ELECTRIC DOORBELL WHICH INITIATES AN AUDIBLE TONE AND VISUAL SIGNAL WITHIN THE DWELLING UNIT.
 - RESIDENTIAL DWELLING UNIT SMOKE DETECTION WITH AUDIBLE AND VISUAL SIGNAL DEVICES, SUCH SIGNAL DEVICES MUST NOT BE USED FOR ANY OTHER PURPOSE.
 - MEANS FOR VISUALLY IDENTIFYING A VISITOR (WITH AN 180 DEGREE RANGE OF VIEW) WITHOUT OPENING UNIT ENTRY DOOR (PEEP HOLE - SEE DOOR SCHEDULE).
 - ADDITIONAL OHFA REQUIREMENT: TALKING THERMOSTAT FOR THE VISUALLY IMPAIRED.

OHFA UNIT MATRIX

FLOOR	UNIT / SPACE	GSF	OHFA CATEGORY
1	Unit #13 - Accessible 1-bedroom	757	low-income unit area
1	Unit #14 - Accessible 2-bedroom	960	low-income unit area
2	Unit #1 - 2-bedroom	1,050	market-rate unit area
2	Unit #2 - 3-bedroom	1,200	low-income unit area
2	Unit #3 - 3-bedroom	1,018	low-income unit area
2	Unit #4 - 2-bedroom	917	market-rate unit area
3	Unit #5 - 2-bedroom	1,050	market-rate unit area
3	Unit #6 - 3-bedroom	1,202	low-income unit area
3	Unit #7 - 3-bedroom	1,025	market-rate unit area
3	Unit #8 - 3-bedroom	909	low-income unit area
3	Unit #9 - 2-bedroom	1,041	market-rate unit area
4	Unit #10 - 3-bedroom	1,220	low-income unit area
4	Unit #11 - 3-bedroom	1,029	low-income unit area
4	Unit #12 - 2-bedroom	913	market-rate unit area

DRAWING INDEX

A0.0	PROJECT INFORMATION
C001	CIVIL COVER AND GENERAL NOTES
C100	SITE DEVELOPMENT PLAN
C200	UTILITY PLAN
A0.1	CODE DIAGRAMS
A0.2	HABITABLE FRESH SCHEDULE, & MISC. SCHEDULES
A0.3	FLOOR / CEILING ASSEMBLIES
A0.3a	FIRE-RATING DETAILS & APPROVED ALTERNATIVE ENGINEERED DESIGN
A0.4	DOOR SCHEDULE
A0.5	WINDOW AND STOREFRONT SCHEDULE AND ELEVATIONS
A0.5a	WINDOW DETAILS
A0.5b	ARCHITECTURAL SPECIFICATIONS
A0.6	ARCHITECTURAL SPECIFICATIONS
A0.7	ARCHITECTURAL SPECIFICATIONS
A0.8	ARCHITECTURAL SPECIFICATIONS
A0.9	ENTERPRISE GREEN COMMUNITIES CHECKLIST
A0.10	ENTERPRISE GREEN COMMUNITIES CHECKLIST
A2.0	BASEMENT DEMOLITION PLAN
A2.1	FIRST FLOOR DEMOLITION PLAN
A2.2	SECOND FLOOR DEMOLITION PLAN
A2.3	THIRD FLOOR DEMOLITION PLAN
A2.4	FOURTH FLOOR DEMOLITION PLAN
A2.5	ATTIC DEMOLITION PLAN
A2.6	ROOF DEMOLITION PLAN
A3.0	BASEMENT NEW WORK PLAN
A3.1	FIRST FLOOR NEW WORK PLAN
A3.2	SECOND FLOOR NEW WORK PLAN
A3.3	THIRD FLOOR NEW WORK PLAN
A3.4	FOURTH FLOOR NEW WORK PLAN
A3.5	ATTIC NEW WORK PLAN
A3.6	ROOF NEW WORK PLAN
A5.0	DEMOLITION EAST EXTERIOR ELEVATION
A5.1	DEMOLITION SOUTH EXTERIOR ELEVATION
A5.2	DEMOLITION WEST EXTERIOR ELEVATION
A5.3	DEMOLITION NORTH EXTERIOR ELEVATION
A6.0	NEW WORK EAST EXTERIOR ELEVATION
A6.1	NEW WORK SOUTH EXTERIOR ELEVATION
A6.2	NEW WORK WEST EXTERIOR ELEVATION
A6.3	NEW WORK NORTH EXTERIOR ELEVATION
A7.0	DETAILS
A8.0	ENLARGED PLANS & INTERIOR ELEVATIONS
A8.1	ENLARGED PLANS & INTERIOR ELEVATIONS
A8.2	ENLARGED PLANS & INTERIOR ELEVATIONS
A9.0	TYPICAL COMMERCIAL SPACE RESTROOM ENLARGED PLAN & ELEVATIONS
S001	GENERAL STRUCTURAL NOTES
S100	FOUNDATION PLAN
S110	1ST FLOOR FRAMING PLAN
S120	2ND FLOOR FRAMING PLAN
S130	3RD FLOOR FRAMING PLAN
S140	4TH FLOOR FRAMING PLAN
S150	5TH FLOOR FRAMING PLAN
S160	ROOF FRAMING PLAN
S200	ELEVATIONS
S210	ELEVATIONS
S310	FOUNDATION SECTIONS
S320	FRAMING SECTIONS
M0.1	MECHANICAL COVER SHEET
M1.0	BASEMENT MECHANICAL PLAN
M1.1	FIRST FLOOR MECHANICAL PLAN
M1.2	SECOND FLOOR MECHANICAL PLAN
M1.3	THIRD FLOOR MECHANICAL PLAN
M1.4	FOURTH FLOOR MECHANICAL PLAN
M1.5	MECHANICAL DETAILS
M1.6	MECHANICAL DETAILS
M2.0	MECHANICAL DETAILS
M2.1	MECHANICAL DETAILS
M2.2	MECHANICAL DETAILS
M3.0	MECHANICAL DETAILS
M3.1	MECHANICAL DETAILS
M3.2	MECHANICAL DETAILS
M3.3	MECHANICAL DETAILS
M3.4	MECHANICAL DETAILS
M3.5	MECHANICAL DETAILS
M6.1	ENERGY CODE COMPLIANCE

FOR REFERENCE ONLY

GENERAL NOTES

ALL WORK SHALL BE PERFORMED IN COMPLIANCE WITH THE REQUIREMENTS OF THE CONSTRUCTION DOCUMENTS, INCLUDING:

1. THESE PLANS;
2. STANDARD DRAWINGS REFERENCED HEREIN;
3. THE STATE OF OHIO DEPARTMENT OF TRANSPORTATION CONSTRUCTION AND MATERIAL SPECIFICATIONS, DATE 01/01/2019 AND THE CITY OF CINCINNATI SUPPLEMENT TO THE STATE OF OHIO DEPARTMENT OF TRANSPORTATION CONSTRUCTION AND MATERIAL SPECIFICATIONS, DATED 01/01/2016;
4. IN ACCORDANCE WITH A CONSTRUCTION SCHEDULE APPROVED BY THE CITY ENGINEER; AND
5. UNDER THE GENERAL SUPERVISION AND INSPECTION OF THE CITY OF CINCINNATI DEPARTMENT OF TRANSPORTATION AND ENGINEERING.

APPROVAL OF THESE PLANS BY THE CITY OF CINCINNATI, OHIO, IS BASED ON THE FOLLOWING TERMS AND CONDITIONS:

1. THE DEVELOPER SHALL ACQUIRE FROM THE ABUTTING OR AFFECTED PROPERTY OWNER(S), ALL PROPERTY THAT IS NECESSARY FOR THE FULL AND COMPLETE DEVELOPMENT OF THE PROPOSED STREET(S) PRIOR TO BEGINNING WORK;
2. THE DEVELOPER AGREES TO PERFORM, AT THE DEVELOPER'S SOLE EXPENSE, ANY AND ALL WORK NECESSARY FOR PROTECTION OF THE ABUTTING AND AFFECTED PROPERTY OWNERS; AND
3. THE DEVELOPER SHALL INDEMNIFY AND HOLD THE CITY OF CINCINNATI, OHIO, HARMLESS FROM ANY AND ALL CLAIMS, WHICH MAY BE ASSESSED AGAINST THE CITY OF CINCINNATI, OHIO, RESULTING FROM THE DEVELOPER'S DEVELOPMENT OF THE PROPOSED STREET(S).

EROSION, SEDIMENT AND DUST CONTROL

IMPLEMENT THE EROSION AND SEDIMENT CONTROL PLAN WITH THE BEGINNING OF EARTHWORK TO MINIMIZE EROSION AND SEDIMENTATION IMPACTS ON DOWNSTREAM PROPERTIES AND UPON RECEIVING SEWER.

MINIMIZE IMPACTS OF DUST ON AIR QUALITY AND ADJACENT PROPERTIES THROUGH USE OF WATER, EQUIPMENT SELECTION, SCHEDULE AND OTHER MEASURES TO CONTROL DUST.

COVER ALL DISTURBED AREAS WHERE WORK IS NOT SCHEDULED FOR 21 DAYS WITH TEMPORARY VEGETATION. IN AREAS HIGHLY SUSCEPTIBLE TO EROSION, THE CITY OR CONTRACTOR MAY DETERMINE THAT TEMPORARY VEGETATION IS NEEDED WHERE WORK IS SCHEDULED SOONER THAN 21 DAYS. IN ALL CASES, SUCH DETERMINATION OR NOTICE. NO DISTURBED AREA SHALL BE LEFT UNCOVERED BY TEMPORARY VEGETATION FOR MORE THAN 28 DAYS.

CASTINGS

CONSTRUCT ALL UTILITY CASTINGS TO THEIR FINAL ELEVATION. WEDGE ALL CASTINGS PROJECTING 1/2 INCH OR MORE ABOVE THE ELEVATION OF THE TEMPORARY ROADWAY SURFACE WITH ASPHALT CONCRETE TO A DIAMETER OF 8 FEET. REMOVE ASPHALT WEDGES IMMEDIATELY PRIOR TO FINAL PAVING

BACKFILLING TRENCHES

IN PROPOSED RIGHTS OF WAY, BACKFILL TRENCHES WITH EITHER CONTROLLED DENSITY BACKFILL OR STRUCTURAL BACKFILL. STRUCTURAL BACKFILL MAY ONLY BE USED IF A GEOTECHNICAL ENGINEERING AND MATERIALS TESTING FIRM PERFORMS COMPACTION TESTING IN ACCORDANCE WITH ODOT SUPPLEMENTAL SPECIFICATION 1015 AND VERIFIES THAT LIFTS DO NOT EXCEED 8 INCHES. MATERIALS, PLACEMENT AND COMPACTION SHALL BE IN ACCORDANCE WITH ODOT CMS 603.10 AND 603.11 AS MODIFIED BY THE CITY SUPPLEMENT. THE GEOTECHNICAL ENGINEERING AND MATERIALS TESTING FIRM MUST SEND ALL RESULTS OF THE COMPACTION TESTS TO THE CITY ENGINEER. IN EXISTING RIGHTS OF WAY, BACKFILL ALL TRENCHES WITH CONTROLLED DENSITY BACKFILL ONLY.

GRADING NOTES

1. Before construction call Ohio 811 two (2) working days before you dig. 1-800-362-2764.
2. All single spot elevations are to top of paving or sidewalk. All double spot elevations are to top & bottom of curb.
3. Maximum slope of all handicap ramps shown shall not exceed 1:12.
4. Prior to beginning construction, contractor shall be responsible for verifying and field locating all utilities within the project limits so that construction will not damage or interfere with existing lines. If any utility lines are damaged, it is the contractor's responsibility to repair and/or replace the utility lines at the contractor's expense. Finished replacement or repair shall meet the approval of the specific utility owner.
5. All fill areas shall be compacted to a minimum of 95% of the maximum dry density per standard proctor analysis ASTM D 698 or to the project specifications, whichever is greater.
6. Existing elevations and contours on this plan are provided from GIS and site survey. Contractor shall coordinate horizontal and vertical control with engineer or surveyor prior to commencement of construction.
7. Improper grading/finishing of all excavation and fill placement within the project limits or adjacent right-of-way that result in drainage problems shall be removed and reinstated to implement positive drainage by the contractor at no additional cost to the owner.
8. Benchmark information as provided shall be used to confirm existing topographic conditions prior to the commencement or any construction activities. Any conflict and/or discrepancies encountered between the existing topography shown and actual site conditions shall be reported to the engineer immediately.
9. The contractor shall not scale from these plans for field survey location.
10. Special care shall be taken to protect all trees, shrubs, etc. within existing landscape islands to remain. Contractor shall coordinate all tree removal with owner prior to construction to delineate which tree and landscaping is to be left in-place.
11. The developer is responsible for surface and sub-surface drainage related to his/her lands, and shall provide for such drainage in a way as to properly relieve waters from their land, without obstructing existing drainage patterns or increase runoff onto adjacent properties.
12. All soft and unsuitable material in areas to receive fill must be over-excavated to a stable sub-base, and backfilled with an approved engineered backfill. All backfill must meet the compaction requirements of the specifications or as shown on the drawing, whichever is the more stringent requirement.
13. All disturbed areas not to receive pavement shall receive 6" of topsoil.
14. Contractor to follow all geotechnical recommendations.
15. Contractor to coordinate new exterior finished grade(s) with Architectural and Structural Drawings prior to installation of any new pavement.

GENERAL NOTES

1. It shall be the full and complete responsibility of the contractor to meet and comply with safety requirements and regulations as established by O.S.H.A. or any other regulatory body. The owner and engineer will not perform any safety compliance inspections as the contractor has accepted full and complete responsibility for performing such inspections for compliance to the regulations. The contractor shall indemnify and hold harmless the owner and the engineer from any loss, expense, fine, or suit, including attorney's fees, arising out of any safety violation suits brought by injured persons and/or fines levied by O.S.H.A. or any other regulatory body, as result of the contractor's work.
2. If controlled low-strength material (CLSM) fill is used it must not exceed 28 days strength in specifications (80 psi). CLSM fill required in all utility trenches under existing paved areas. This expense to be included in appropriate bid item.
3. Contractor shall raise, lower, shift, and etc. all existing or proposed manhole covers' grates, valve boxes and etc. to comply with new construction as shown or not shown on these plans at no additional cost to the owner.
4. Contractor shall implement traffic control measures in accordance with applicable state & local standards, procedures and regulations while working within roadway easements & r/w or when work affects traffic flow or safety.
5. All streets and roadways adjacent to project shall be cleaned of dirt and debris at end of each day.
6. All necessary inspections and/or certifications required by codes and/or utility service companies shall be performed prior to announced building possession and the final connection of services.
7. All necessary encroachment permits will be obtained prior to construction.
8. All asphalt surface on existing roadways damaged during construction shall be sawcut, removed and replaced. The number of sawcuts shall be minimized in order to make one continuous patch as directed by the engineer and/or local officials.
9. All pavement, sidewalk, curb, gutter, etc. to be reinstalled shall match existing width and thickness.
10. Any site signage will be by separate permit.
11. The minimum water flow requirement for this project shall be 2000 GPM at 20 PSI.

DEMOLITION NOTES

1. All potential erosion shall be controlled in such a manner so as to prevent any displacement of soil to adjacent property owners or right-of-way. This control shall be implemented through proper installation of silt fence, or straw bales during the construction duration and maintained until proper ground cover has been established.
2. Silt fences shall be repaired to their original condition if damaged. Sediment accumulation must be removed when sediment height reaches the 1/2 height of the silt fence.
3. Minimize off-site sediment tracking of vehicles by the use of granular material in all construction entrances, along with regularly scheduled sweeping/good housekeeping. Stabilized construction entrances to be properly maintained and in good working order at all times.
4. Dust controls using approved materials must be performed at all times. The use of motor oils and other petroleum based or toxic liquids for dust suppression is prohibited.
5. All materials spilled, dropped, washed, or tracked onto the roadways or into the storm sewer must be removed immediately.

LANDSCAPE SPECIFICATIONS:

1. Landscape contractor shall verify and identify the location of all underground utilities prior to commencing work. Landscape contractor shall protect existing improvements from damage by his actions.
2. All debris shall be removed from the planting area prior to planting.
3. All plants shall have a growth habit that is normal for the species and shall be sound, healthy, vigorous, and free from insects, pests, plant diseases, and injuries.
4. Plantings shall be conducted under favorable weather conditions.
5. Plantings shall be located where they are shown on plans. In the case of unforeseen obstructions notify landscape architect.
6. SETTING PLANTS: Proposed plant pits shall be positively identified prior to digging and should be marked by the landscape contractor to the satisfaction of landscape architect. Each plant shall be set one plant per hole. All holes shall have scored sides with topsoil crowned at the bottoms and tamped to reduce settlement. Each plant pit shall be a minimum of two times larger than the root ball of the plant to be installed. Plants shall be set to the grade at which it grew at the nursery.
7. BACKFILLING: Topsoil shall be free from rocks and debris. Plant pits shall be backfilled to fill all voids. Firmly tamp backfill to prevent settlement.
8. GUYING: Trees over seven feet in height shall, immediately after planting, be guyed according to the detail drawing provided.
9. MULCHING: A layer of specified mulch shall be placed on the finished grade immediately after planting. Mulch shall cover an area 6" greater in diameter than that of the hole. Shrub beds shall be completely covered to the extents of the bedline, or unless otherwise noted.
10. HERBICIDE: Apply typical herbicide to all bare soil prior to spreading mulch. Herbicide shall be applied according to the manufacturer's recommendations.
11. FERTILIZER: Provide typical fertilizer after installation to initiate nutrient uptake. Fertilizer shall be applied according to manufacturer's recommendation.
12. WATER: Contractor to fully soak root ball of trees immediately after planting, minimum of 3 minutes per root ball.
13. GUARANTEE: All plants shall be guaranteed for a period of 12 months from the time of acceptance by the project owner.

GENERAL:

1. All retaining walls should be designed by a design professional familiar with the desired wall and complete with detailed building instructions.
2. Landscape drainage channels should be constructed as to not permit runoff to bypass into building structures, pools, sanitary sewer systems, etc., or to cause flooding of neighbor's property.
3. All landscape storm water inlets shall be located with a back-up safety storm water surface route (in the event of clogging) that will not cause flooding of structures or neighbor's property.
4. Maintenance of landscaped areas should include inspections of storm water drainage routes. Removal of debris blocking drainage ways, and/or lowering mulch/turf build-ups may be necessary to maintain proper drainage. Catch basins should be cleared of debris to prevent clogging. Review of pipe flow should occur on a regular basis depending upon local conditions.

SMU EROSION CONTROL NOTES

1. All erosion control measures must be in place before construction activities begin. These measures must remain in place and functional throughout the course of earth disturbing activity and may only be removed once the disturbed site is re-stabilized.
2. When available, use at least a 5' strip of vegetation area around the perimeter to aid the erosion control measures.
3. Contractor shall remove existing ground cover only as necessary for the project phase currently under construction.
4. All ground surface areas that have been exposed or left bare as a result of construction and are to final grade and are to remain so, shall be seeded and mulched as soon as practical in accordance with state of Ohio specification item 659, and per table listed on this sheet "stabilization."
5. Soil stockpiled must be stabilized and protected with sediment trapping to prevent soil loss.
6. Unless otherwise noted, standards and specifications established in the latest edition of the Ohio Department of Natural Resources "Rainwater and Land Development" Manual, current edition, shall govern the erosion and sediment control installations specified on this plan.
7. Silt fences and "inlet filters" are to be continuously maintained by the developer and/or contractor until all danger or erosion/sedimentation occurring has been eliminated.
8. The developer and/or contractor shall perform street sweeping, on a regular basis, as directed by the city, and immediately in the event that mud or debris are tracked onto the street.
9. The developer and/or contractor shall inspect the surrounding streets and jobsite perimeter at the end of each working day to ensure that all debris with potential to enter existing storm sewers and water courses are removed.

SMU STANDARD PLAN NOTES

1. All plans and construction within the City of Cincinnati shall comply with Chapter 720 of the City's Municipal Code along with the latest editions of SMU's: a) Detention Operation and Maintenance Plan, b) Fees, c) Standard Drawings, d) Pipe Materials Policy, and e) Rules & Regulations. These documents can be downloaded from SMU's website at: <http://www.cincinnati-oh.gov/stormwater/>. If there are conflicts between these documents SMU shall be contacted to resolve the issue prior to work commencing. SMU can be reached at 513-591-7746 or StormwaterManagement@cincinnati-oh.gov.
2. Temporary erosion control measures shown on the plans shall be installed as early as possible and be maintained throughout the project.
3. A National Pollutant Discharge Elimination System (NPDES)/Municipal Separate Storm Sewer System (MS4) permit is required if the total land disturbance will be equal to or greater than one acre in a storm only sewer and/or if discharging to a creek. A copy of the permit must accompany the request for approval of the plan.
4. SMU does not allow two-piece castings or slab top manholes and only reinforced concrete pipe (RCP) or ductile iron pipe (DIP) is permitted within an easement or right-of-way.
5. SMU does not allow drainage structures within 5 feet of a driveway.
6. All public storm drainage construction and materials shall be in accordance with latest edition of the Ohio Department of Transportation (ODOT), Construction and Material Specifications, and with the latest edition of the City of Cincinnati Supplement to the ODOT Construction and Material Specifications. If there is a conflict between the governing specifications the most stringent shall be used. SMU shall be contacted to resolve any discrepancies prior to work commencing. SMU can be reached at 513-591-7746 or StormwaterManagement@cincinnati-oh.gov.
7. The owners of all properties shown on this improvement plan shall be subject to all applicable sewer mainline inspection fees, service charges, assessments, tap-in charges or other fees, which have been established by City Council, City of Cincinnati.
8. All work done on stormwater infrastructure within the City of Cincinnati must be done by a contractor who is an approved sewer tapper properly licensed and bonded through the Metropolitan Sewer District of Greater Cincinnati.
9. A stormwater tap permit is required for each building. Bond or final acceptance of the main line is required prior to issuance of a tap permit. A sketch shall be submitted by the plumber, which shall show the elevation and location of the stormwater tap with respect to the nearest storm manhole. A request for application can be sent to StormwaterManagement@cincinnati-oh.gov.
10. All public stormwater infrastructure that is being tapped into must be cored, and inspected as part of the Tap Permit Process.
11. All stormwater infrastructure shown within this set of plans is intended to be turned over for public ownership. Stormwater infrastructure that will be constructed on the future individual lots is to be private and maintained by the owner(s).
12. Stormwater infrastructure construction must commence within 12 months and be completed within 36 months of the date of approval shown hereon or these plans become void.
13. Near the completion of work on all stormwater infrastructure, the (contractor/owner/developer/etc.) shall request CAGIS IDs from SMU. Upon completion of the work using said IDs the (contractor/owner/developer/etc.) shall close circuit televise (CCTV) the public stormwater mainlines as well as provide digital photographs of the lines and structures. The CCTV shall be Pipeline Assessment Certification Program (PACP) - compliant and submitted to SMU for approval.
14. FINAL ACCEPTANCE: In order for SMU to grant final acceptance the following must be supplied:
 - a. As-built drawings with accurate locations, descriptions, and quantities of the installed materials
 - b. Final cleaning and inspection by the owner of the infrastructure must be completed and without conflicts.
15. SMU reserves the right to refuse ownership on behalf of the City.

DUKE GAS FACILITY NOTES:

1. For gas distribution engineering notification, agreements and official correspondence, address to: John T. Stenger, P.E. Gas Distribution Engineering P.O. Box 960, Room 460A Cincinnati, OH 45201-0960
2. The print shows the approximate location and depths of cover and is provided to comply with statutory regulations. The information should be used only for planning, not construction.
3. All gas facility depths noted are approximate depths recorded at the time of installation. Any resulting grade changes since the time of the main installation will cause the existing depth of cover to be different. Extreme care must be taken to ensure safe excavation when approaching known or suspected gas facilities.
4. All gas services were installed at a minimum of 1'-6" cover. see note 3 above.
5. For additional gas facility information, call (513) 287-2532 or (513) 287-1264.
6. To comply with federal and state regulations concerning damage prevention programs, the utility companies must be contacted at least 48 hours (2 working days) prior to excavation by calling kentucky underground protection inc., toll free at 811.

Duke gas construction notes:

7. Gas facilities are kept in service at all times.
8. The contractor is responsible for all damage to gas facilities during or as a result of the contractor's construction. All damage to gas facilities during adjustments, relocations and/or repairs will be made at the contractor's expense.
9. The contractor shall sheet and shore all excavations as required to continuously support gas facilities within the zone of influence (as determined by the natural angle or repose of the soil).
10. Crossing buried gas facilities with heavy construction equipment may cause damage to the gas facilities. Contact the gas engineering department for details on how to protect the gas facilities from damage.
11. The contractor shall not backfill exposed gas facilities until the utility has inspected its facilities and performed any maintenance and/or adjustments that may be required.
12. The contractor is responsible for preventing and damage to our gas facilities. This includes protection of coolings and wrappings on steel gas mains. It also includes any damage which may have occurred to plastic gas mains, such as crimps or gauges.
13. When cast iron or similar gas facilities are exposed or interfered with by the contractor, replacement or reinforcement by Duke may be required at the contractor's expense. backfilled with control low strength material will be required.
14. Blasting or other construction procedures which may transmit loads or vibrations in the vicinity of gas facilities must be approved by Duke's gas engineering department. A blasting plan, identifying all pertinent information, must be submitted in writing by a blasting expert prior to any work.

Proposed developments at Duke gas r/w & easements (If applicable):

15. Proposed development plans around and near gas facilities within private easements must be submitted to Duke's gas engineering department for review. these plans must be approved before any work may begin within our easement.
16. Specified easement widths must be maintained in order for Duke to protect it's facilities.
17. No permanent structures may be built within the easements.
18. Cuts and fills are generally not permitted within the easements. Some fills may be allowed and will be reviewed on an individual basis. Any permitted fills will be limited to an amount which will allow Duke to properly maintain it's facilities.
19. Perpendicular utility crossings of gas easements are acceptable, provided proper clearances are maintained. parallel installations are normally not allowed.

MSD SANITARY SEWER NOTES

1. All plans and construction within Hamilton County shall comply with the latest edition of the "Rules and Regulations" manual governing the design, construction, maintenance, operation, and use of sanitary and combined sewers in the Metropolitan Sewer District of Greater Cincinnati, Hamilton County, Ohio, effective March 1, 2001. Copies may be obtained from the Division of Wastewater Engineering, MSD, 1600 Gest Street, Cincinnati, Ohio 45204.
2. All sanitary sewers shall be constructed under the inspection of the Sewers Chief Engineer, MSD.
3. The owners of all properties shown on this improvement plan shall be subject to all applicable sewer service charges, assessments, tap-in charges or fee which have been or may be established by the Board of County Commissioners.
4. Appropriate utility companies shall be notified at least 48 hours prior to breaking ground for the purpose of verifying by inspection the exact location of underground utilities.
5. All sanitary sewer pipe shall be PVC, SDR35, ASTM D-3034 in accordance with MSD Rules and Regulations, except where noted.
6. All manholes on sanitary sewers shall be Type "S" MSD Accession No. 49037.
7. Sanitary manholes shall be temporarily constructed to an elevation of two feet above the surrounding grade by means of an additional manhole section or brick masonry on top of the cone.
8. Sanitary building sewers for public and private sewers shall not be extended more than ten (10) feet beyond the proposed gas or electric lines, in cases of private sewers, no more than ten (10) feet beyond the main line sewer prior to issuance of tap permits.
9. Two-way cleanouts shall be installed at the right-of-way line or sanitary sewer easement, where applicable, in accordance to MSD Accession No. 61979.
10. All lowest finished floor elevations shall be at least 36 inches above the crown of the sewer at the point of tap connection to said sewer, whether public or private, and/or in accordance with City of Cincinnati Supplement CC-SI-49. Any building to be served by means other than gravity must be so noted on the plans.
11. All manholes on public sanitary sewers shall have standard lids and frames, MSD Accession No 49005. expect where noted. The frames shall be securely fastened to the top manhole section by four 3/4-inch stainless steel cinch anchors.
12. CONTRACTOR'S LICENSE - All work done on sanitary and/or combined sewers within the jurisdiction of the Metropolitan Sewer District must be done by a contractor who is an approved sewer tapper properly licensed by the Department and Bonded.
13. Sanitary building sewers shall be connected to the main line with wyes. tee fittings are to be used only where shown on the approved plan.
14. A tap permit is required for each building. Bond or final approval of the main line is required prior to issuance of a tap permit.
15. Sanitary sewer construction must commence within 12 months and be completed within 36 months of the date of approval shown hereon or these plans become void.
16. For sanitary sewer manholes constructed in parking lots, the rim elevation shall be 1" higher than the surrounding grade and the pavement shall be feathered away from the manhole rim at a gradual slope.
17. For sanitary manholes constructed in grass areas, the rim elevation shall be 3" higher than the surrounding grade, and fill shall be feather away from the manhole rim at a gradual slope.
18. Roof drains, foundation drains, cooling water, swimming pool water or other clean water connection to the sanitary sewer system are prohibited.
19. To assure that stormwater does not enter the sanitary sewer system, a schematic plan of the footing and foundation drainage system, including the point of discharge, is necessary.
20. The Contractor shall test all manholes leakage by means of vacuum testing. The vacuum testing cannot be done until after the manholes are set to final grade and manhole castings are bolted down. All lift holes shall be plugged. Any other openings, such as for pressure relief valves, shall be temporarily plugged to allow the vacuum test. All pipes entering the manhole shall be plugged and care shall be taken to securely brace the plugs from being drawn into the manhole. The vacuum equipment test head shall be placed in the opening of the casting only, and seal inflated in accordance with the manufacturer's recommendations. Vacuum testing shall be in accordance with ASTM C1244. A vacuum of 10 inches mercury (10" Hg) shall be drawn and the vacuum pump shut off. With the valves closed, the time shall be measured for the vacuum to drop to nine inches mercury (9" Hg). The manhole shall pass if the time meets or exceeds the allowable times as calculated from ASTM C1244, or as approved by the Engineer. All manhole repair and retesting required because of the failure to meet the testing requirements shall be borne by the Contractor at his cost.
21. Installation of a private force main requires a permit from the Hamilton County Board of Health. Contact the Board of Health at 946-7852 regarding permit and inspection
22. Building connections may be made before structure is under roof, providing the connection point inside the building is sealed.



RUSS ALLEY
 1623 - 1625 VINE STREET, 1624 REPUBLIC STREET
 (1625 VINE HPTC APPLICATION)
 CINCINNATI, OH 45202



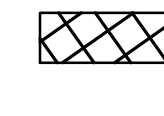
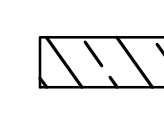
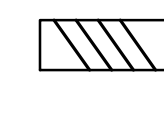
- ISSUE LOG:
- 12.08.2022 HISTORIC PART 1 SUBMISSION
 - 02.24.2023 HISTORIC PART 2 SUBMISSION
 - 03.27.2023 HISTORIC PART 2 REVISION NO. 1
 - 05.08.2023 HISTORIC PART 2 REVISION NO. 2
 - 04.02.2023 ISSUE FOR PERMIT
 - 09.21.2023 CHFA PRELIM. SUBMISSION

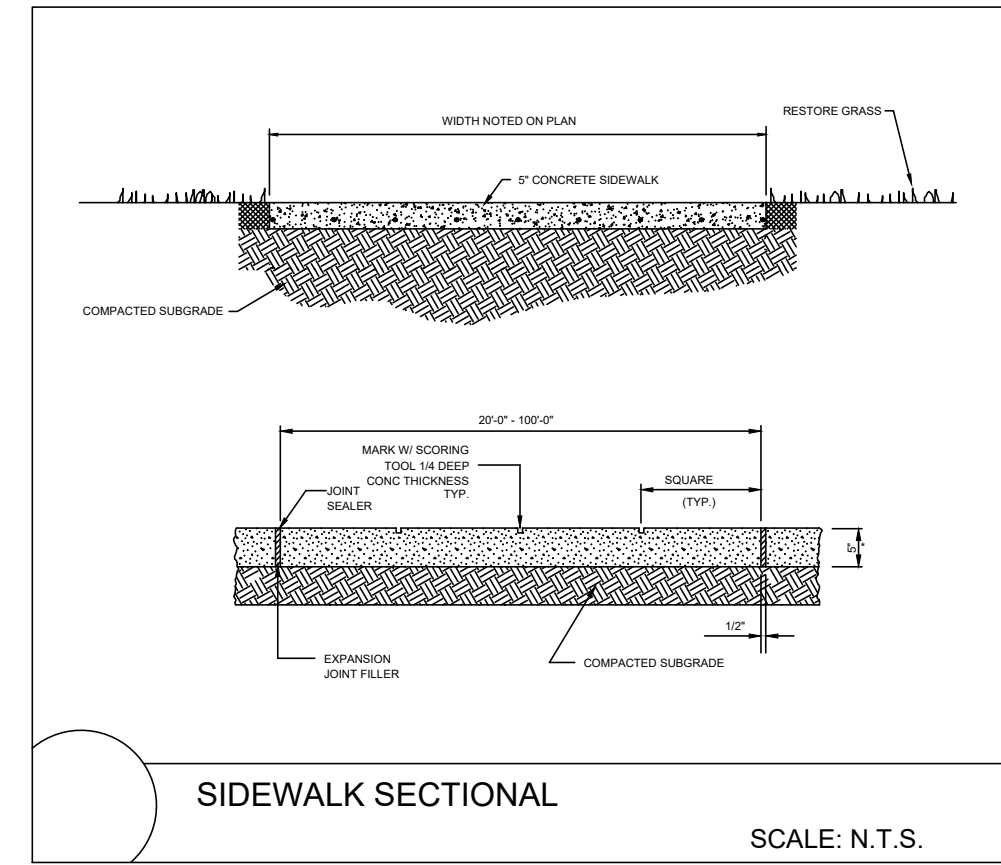
NOT FOR CONSTRUCTION

CIVIL COVER AND GENERAL NOTES

C001

HATCH TYPES

-  EXISTING GRANITE CURB TO REMAIN & BE RESET (AS NECESSARY)
PER GRANITE CURB RESTORATION DETAIL - SEE SHEET C100
SAWCUT, REMOVE, & REPLACE EXISTING PUBLIC SIDEWALK PER CITY DOTE STANDARDS
-  SAWCUT & REMOVE EXISTING ASPHALT
PROVIDE CONCRETE SIDEWALK SECTIONAL DETAIL SEE SHEET C100
-  SAWCUT AND REMOVE EXISTING CONCRETE
PROVIDE CONCRETE SIDEWALK SECTIONAL DETAIL SEE SHEET C100
*MAX SLOPE = 5% (1:20)
*2% MAX SLOPE WITHIN 5' OF DOORS AND GATE

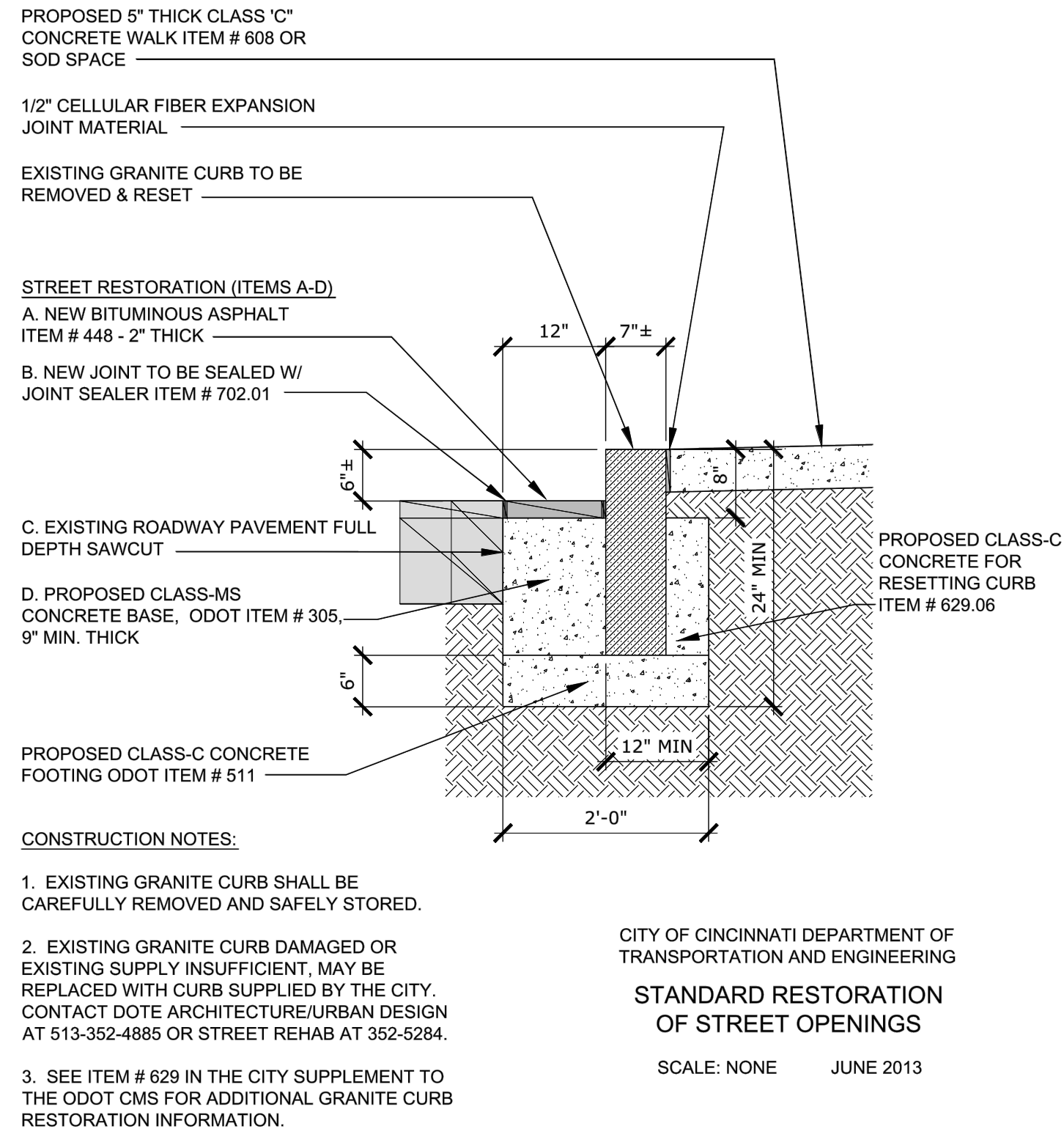


LEGEND

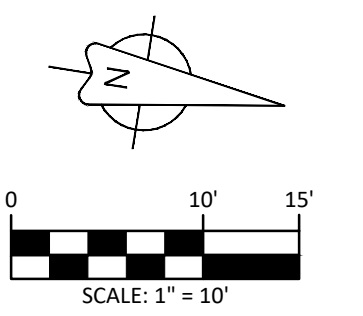
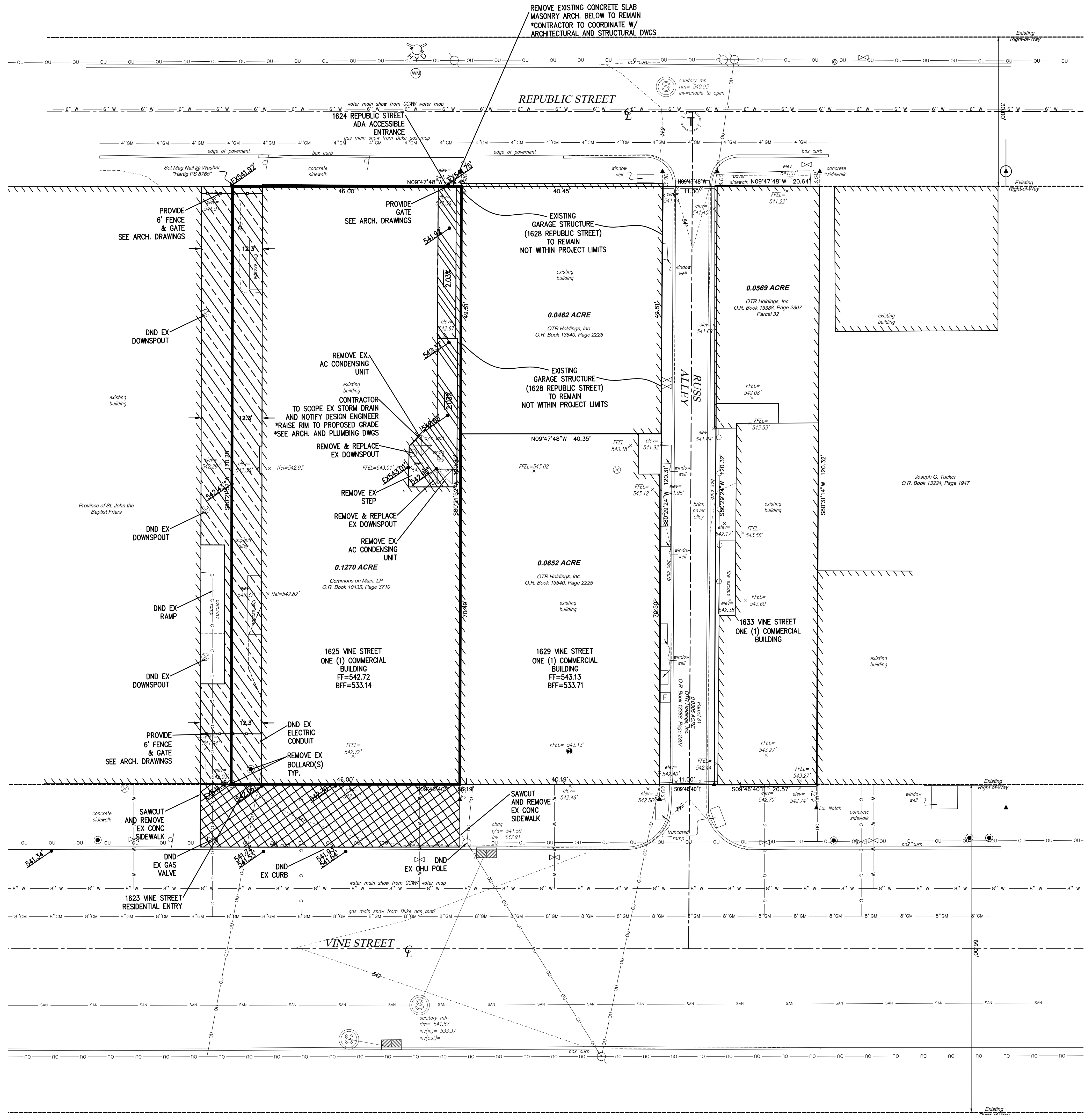
D.N.D. DO NOT DISTURB

Appendix No. 17 - Street Restoration Drawings Page 7 of 7

GRANITE CURB RESTORATION



- NOTES:**
- SPACE BELOW SIDEWALK TO BE FILLED PER DOTE STANDARDS. SEE STRUCTURAL AND ARCHITECTURAL DRAWINGS
 - EXISTING GRANITE CURBS ON VINE STREET TO BE RESET AT EXISTING BACK-OF-CURB ELEVATIONS.
 - NEW CONCRETE SIDEWALK PER CITY DOTE STANDARDS TO SLOPE FROM BUILDING TO CURB AT 2.0% MAX.



CITYSTUDIOS ARCHITECTURE
1148 Main Street
Cincinnati, OH 45202
ph. 513.621.0750
citystudiosarch.com

advantage
STRUCTURAL ENGINEERS
1527 Madison Road
Cincinnati, OH 45206
513.396.8900
www.advantageSE.com

VIOK & VIOK
Civil Engineers, Surveyors, and Landscape Architects
11500 Montgomery Avenue
Cincinnati, OH 45244
513.533.8000
www.viok.com

PE Services
Professional Engineering
1-513-836-3670
www.pecservices.com
9 North Broadway
Lebanon, OH 45046
513-636-3810

RUSS ALLEY
1623-1625 VINE STREET, 1624 REPUBLIC STREET
(1625 VINE HPTC APPLICATION)
CINCINNATI, OH 45202

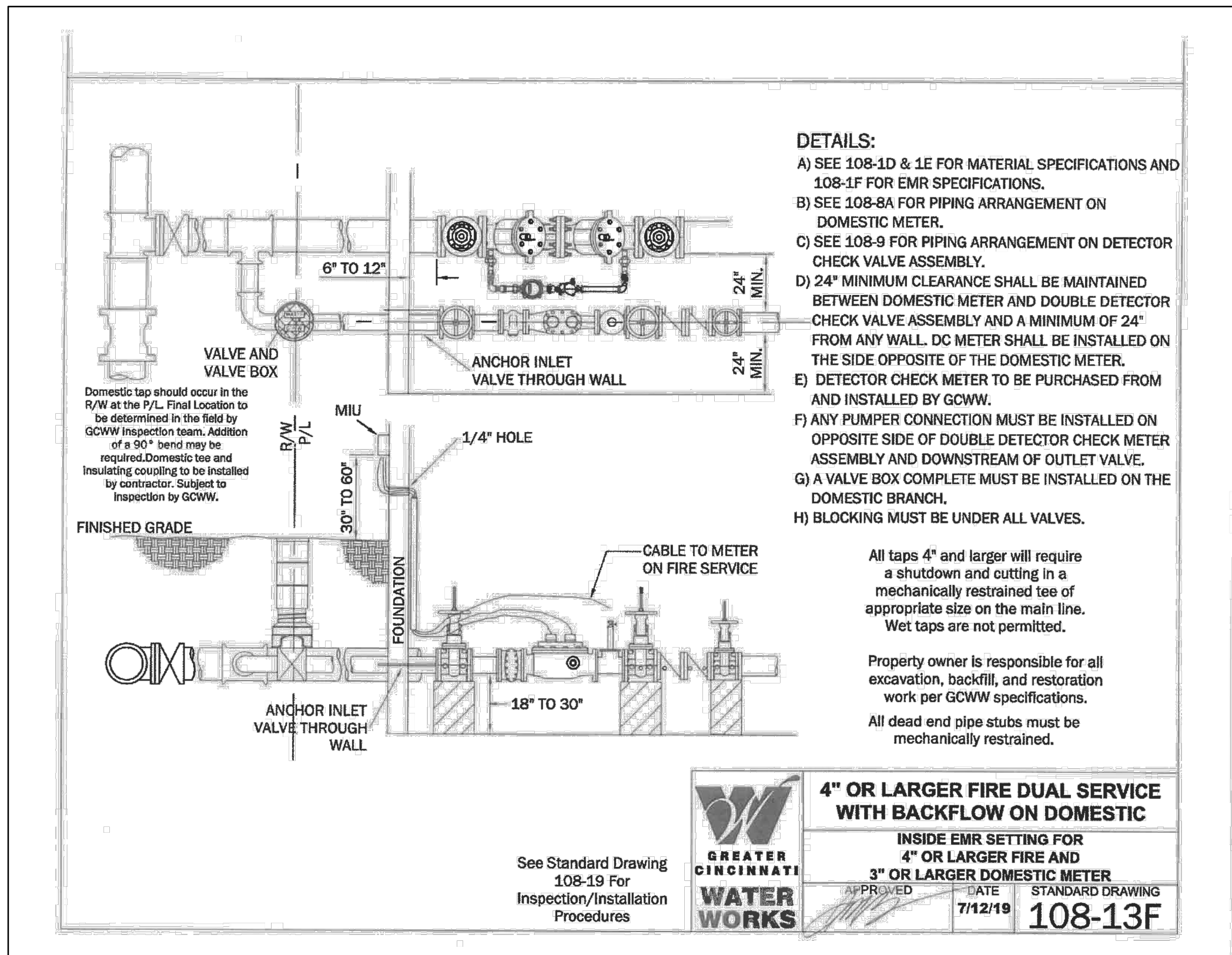
3CDC CINCINNATI CENTER CITY DEVELOPMENT CORPORATION

- ISSUE LOG:**
- 12.08.2022 HISTORIC PART 1 SUBMISSION
 - 02.24.2023 HISTORIC PART 2 SUBMISSION
 - 03.27.2023 HISTORIC PART 2 REVISION NO. 1
 - 05.08.2023 HISTORIC PART 2 REVISION NO. 2
 - 04.02.2023 ISSUE FOR PERMIT
 - 09.21.2023 CHFA PRELIM. SUBMISSION

NOT FOR CONSTRUCTION

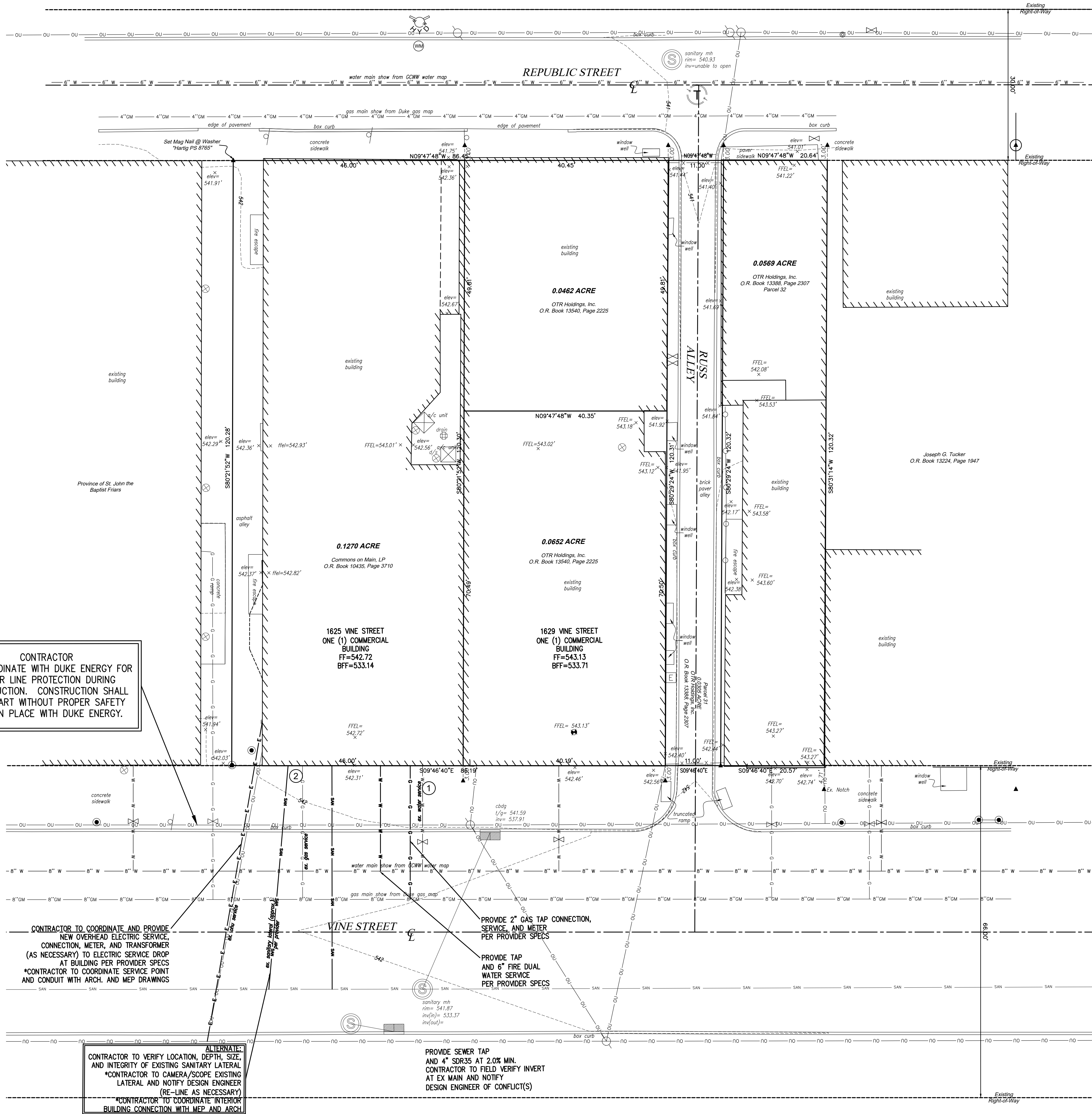
SITE DEVELOPMENT PLAN
C100

- NOTES:**
- CONTRACTOR TO DISCONTINUE AND DISCONNECT (FOD) EXISTING WATER SERVICE AND REMOVE TO MAIN PER PROVIDER SPECIFICATIONS
 - CONTRACTOR TO DISCONTINUE DISCONNECT (FOD) EXISTING GAS SERVICE AND REMOVE TO MAIN PER PROVIDER SPECIFICATIONS



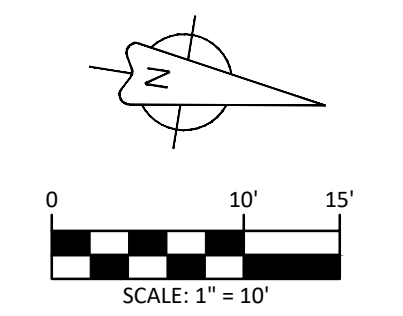
- NOTES:**
- CONTRACTOR TO COORDINATE SANITARY LATERAL INVERT ELEVATION AT BUILDING FOUNDATION WALL WITH MEP DRAWINGS

CONTRACTOR TO COORDINATE WITH DUKE ENERGY FOR POWER LINE PROTECTION DURING CONSTRUCTION. CONSTRUCTION SHALL NOT START WITHOUT PROPER SAFETY PLAN IN PLACE WITH DUKE ENERGY.



ALTERNATE
CONTRACTOR TO VERIFY LOCATION, DEPTH, SIZE AND INTEGRITY OF EXISTING SANITARY LATERAL *CONTRACTOR TO CAMERA/SCOPE EXISTING LATERAL AND NOTIFY DESIGN ENGINEER (RE-LINE AS NECESSARY) *CONTRACTOR TO COORDINATE INTERIOR BUILDING CONNECTION WITH MEP AND ARCH

PROVIDE SEWER TAP AND 4" SURFS AT 2.0% MIN. CONTRACTOR TO FIELD VERIFY INVERT AT EX MAIN AND NOTIFY DESIGN ENGINEER OF CONFLICT(S)



CITYSTUDIOS
ARCHITECTURE
1148 Main Street
Cincinnati, OH 45202
ph. 513.621.0750
citystudiosarch.com

advantage
STRUCTURAL ENGINEERS
1527 Madison Road
Cincinnati, OH 45206
513.396.8900
www.advantageSE.com

VIOK & VIOK
Civil Engineers, Surveyors, and Landscape Architects
11111 North Dixie Avenue, Suite 1111
Cincinnati, OH 45241
513.533.3333
www.viok.com

PE Services
Professional Engineering Services
11111 North Dixie Avenue, Suite 1111
Cincinnati, OH 45241
513.533.3333
www.pe-services.com

Joseph G. Tucker
O.R. Book 13294, Page 1947

Province of St. John the Baptist Priests

0.0462 ACRE
OTR Holdings, Inc.
O.R. Book 13843, Page 2225

0.0652 ACRE
OTR Holdings, Inc.
O.R. Book 13843, Page 2225

0.1270 ACRE
Commons on Main, LP
O.R. Book 10435, Page 3710

1625 VINE STREET ONE (1) COMMERCIAL BUILDING
FF=542.72
BFF=533.14

1625 VINE STREET ONE (1) COMMERCIAL BUILDING
FF=543.13
BFF=533.71

0.0569 ACRE
OTR Holdings, Inc.
O.R. Book 13388, Page 2207
Parcel 35

3CDC
CINCINNATI CENTER CITY DEVELOPMENT CORPORATION

ISSUE LOG:

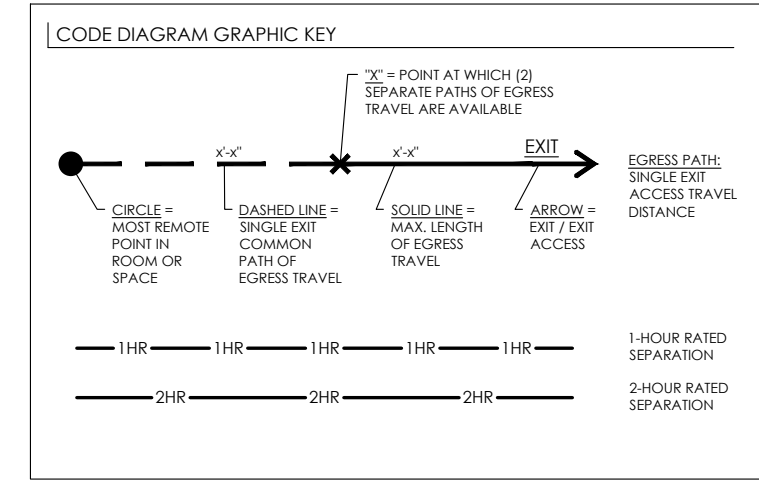
- 12.08.2022 HISTORIC PART 1 SUBMISSION
- 02.24.2023 HISTORIC PART 2 SUBMISSION
- 03.27.2023 HISTORIC PART 2 REVISION NO. 1
- 05.08.2023 HISTORIC PART 2 REVISION NO. 2
- 04.02.2023 ISSUE FOR PERMIT
- 09.21.2023 CHFA PRELIM. SUBMISSION

NOT FOR CONSTRUCTION

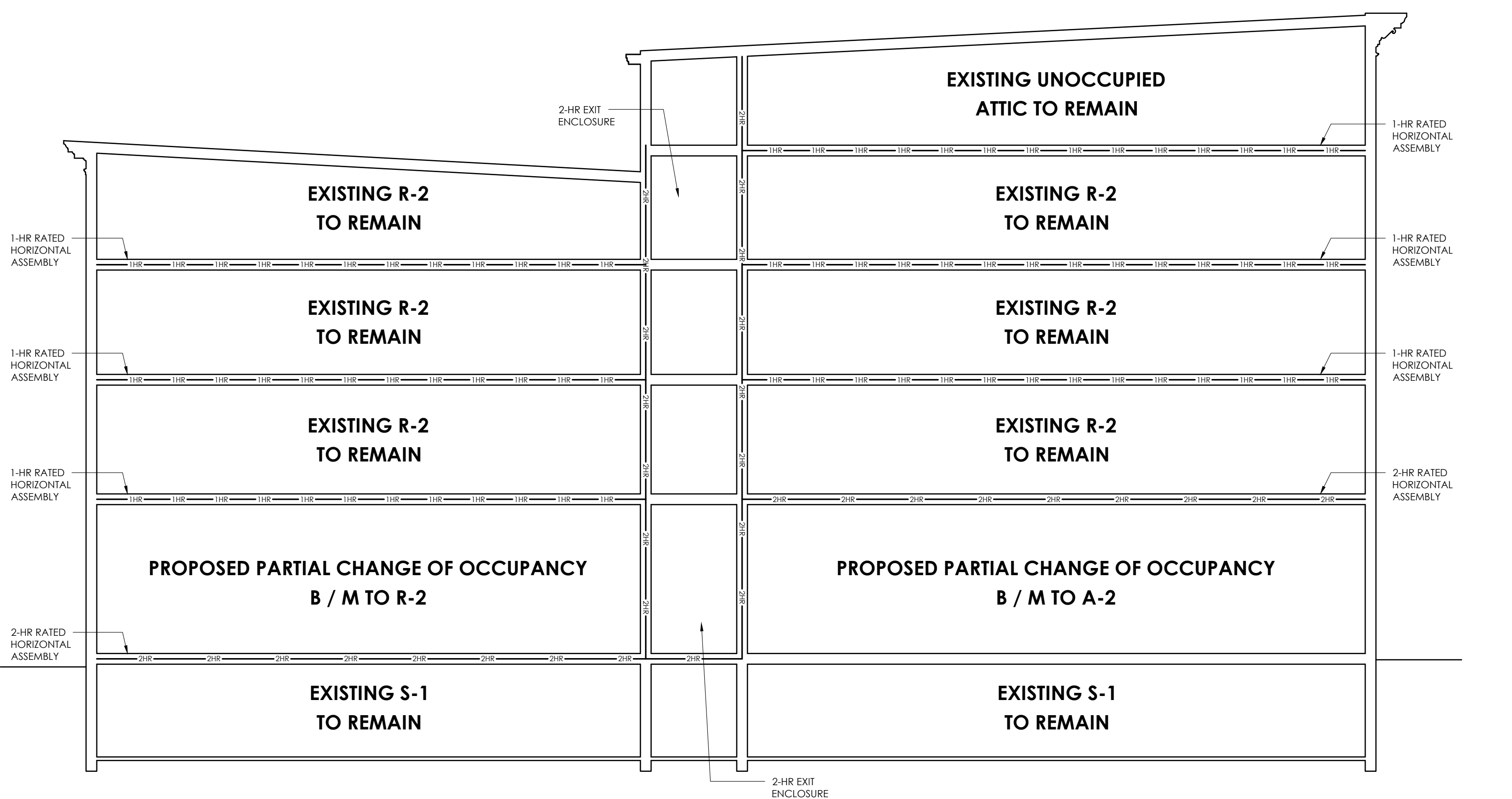
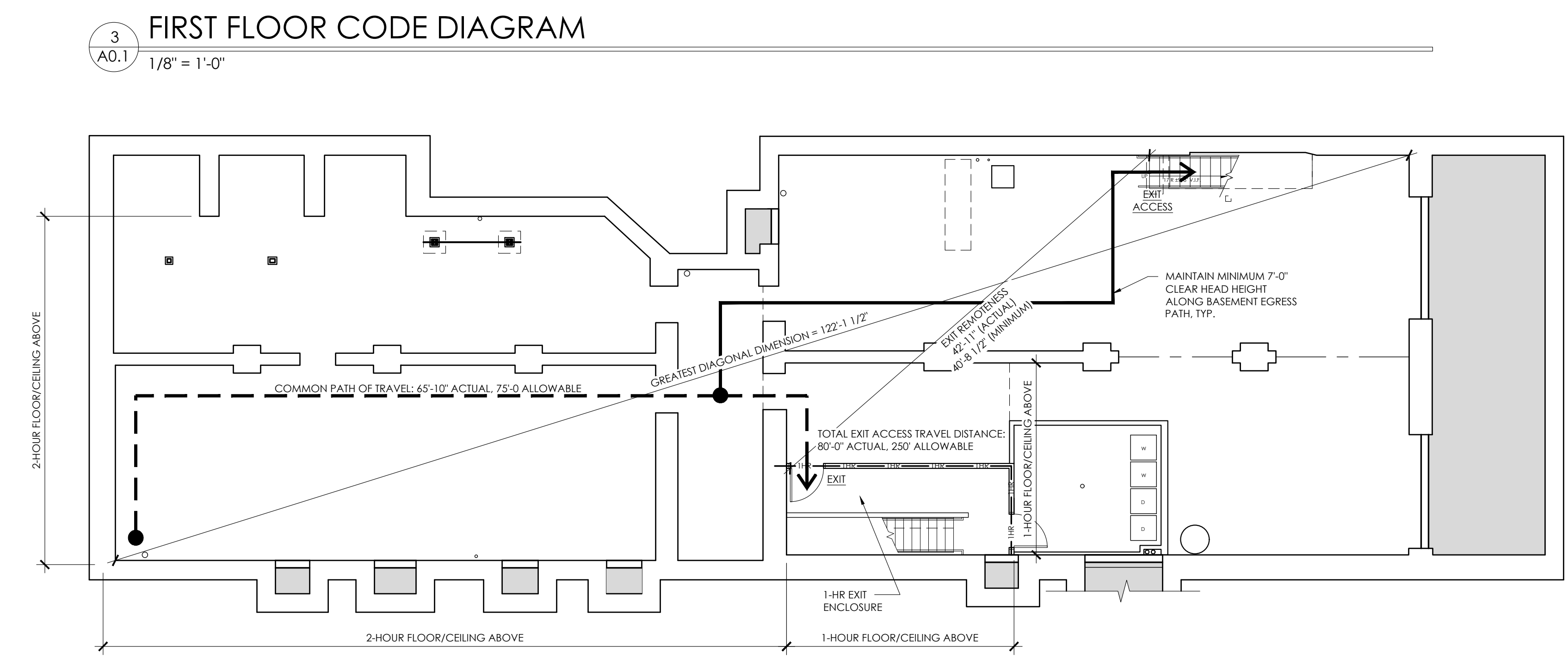
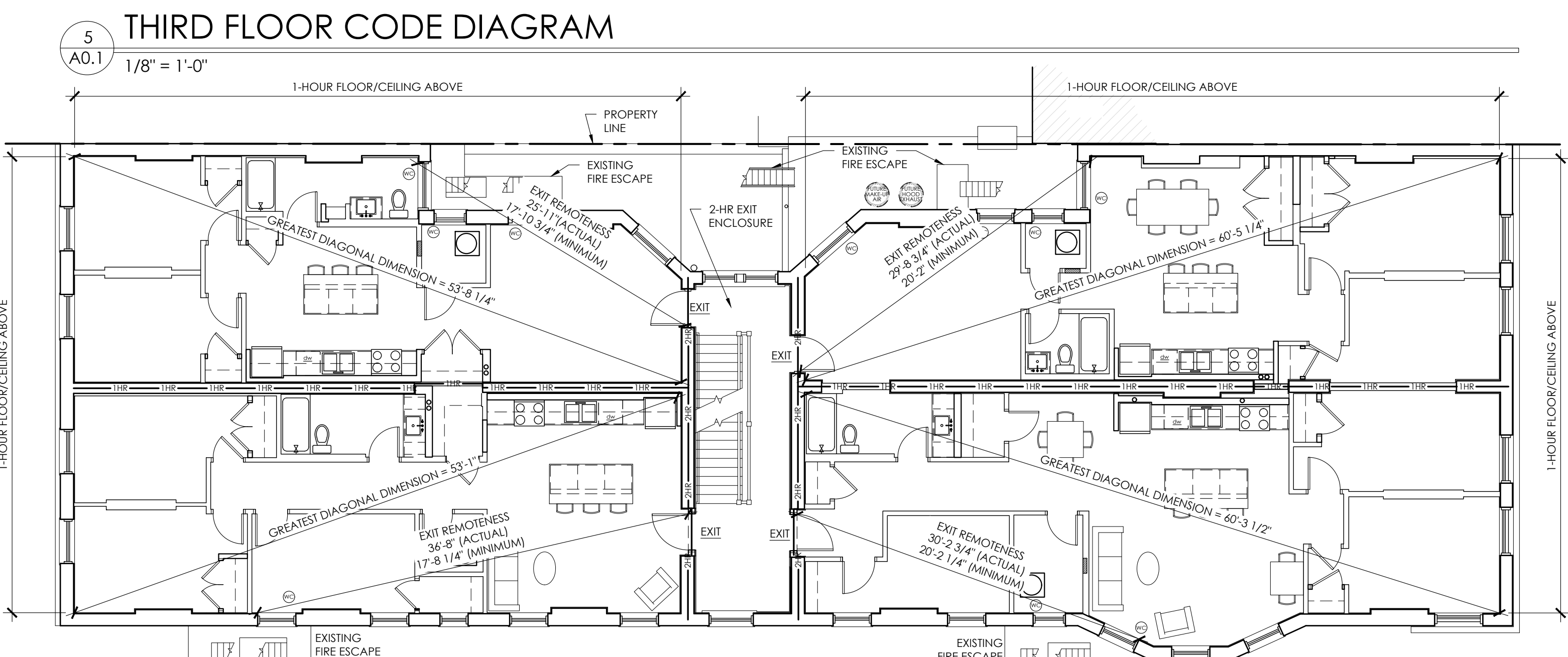
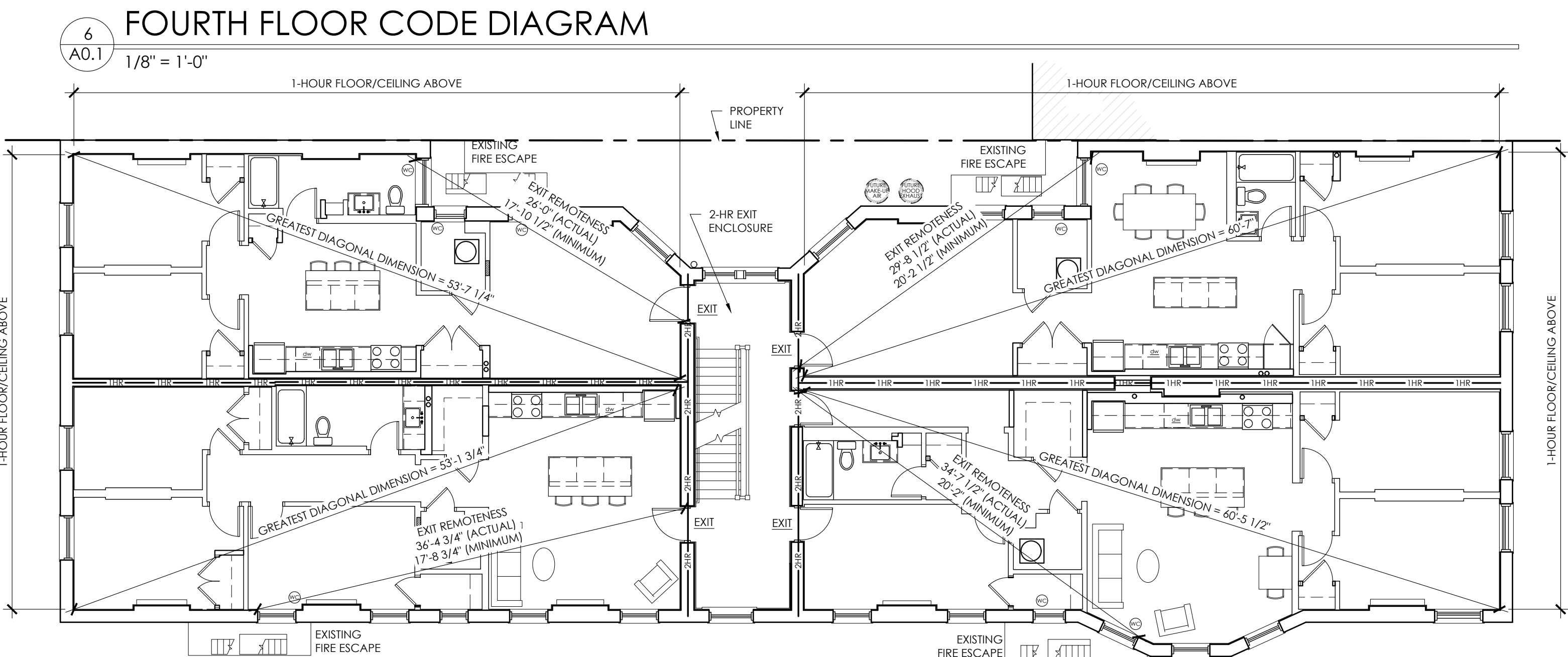
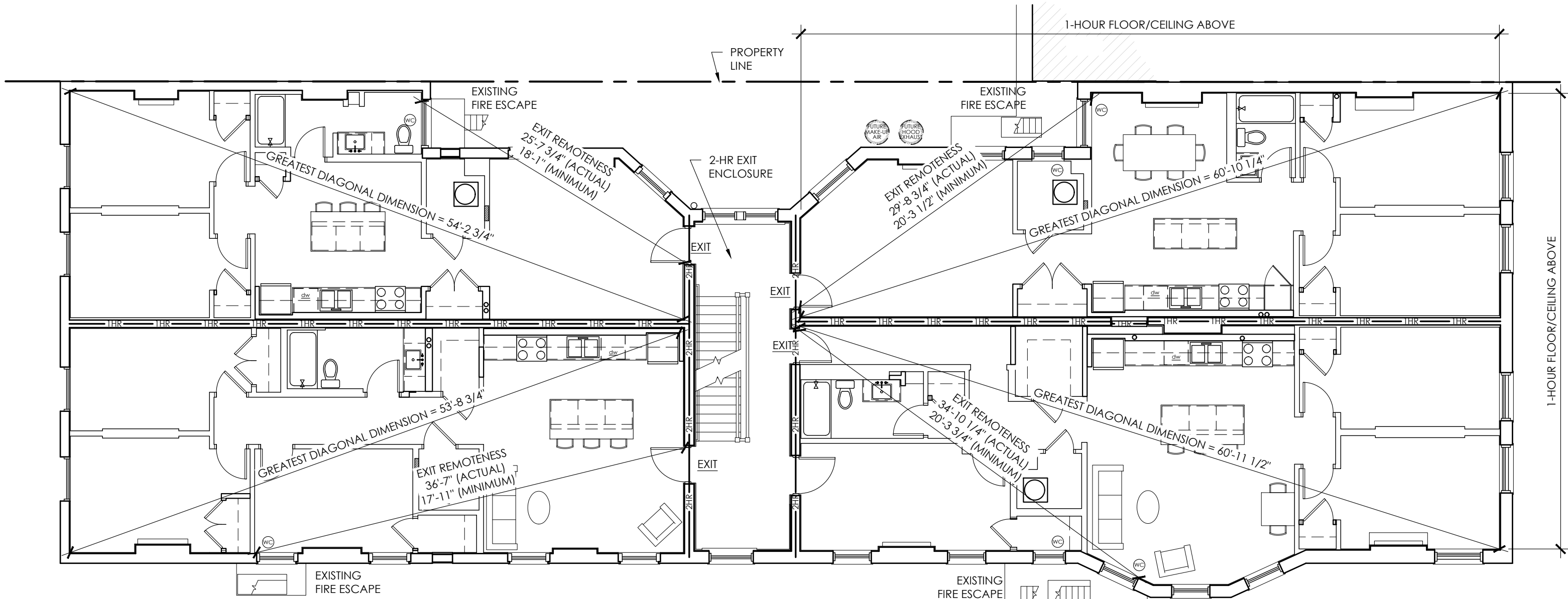
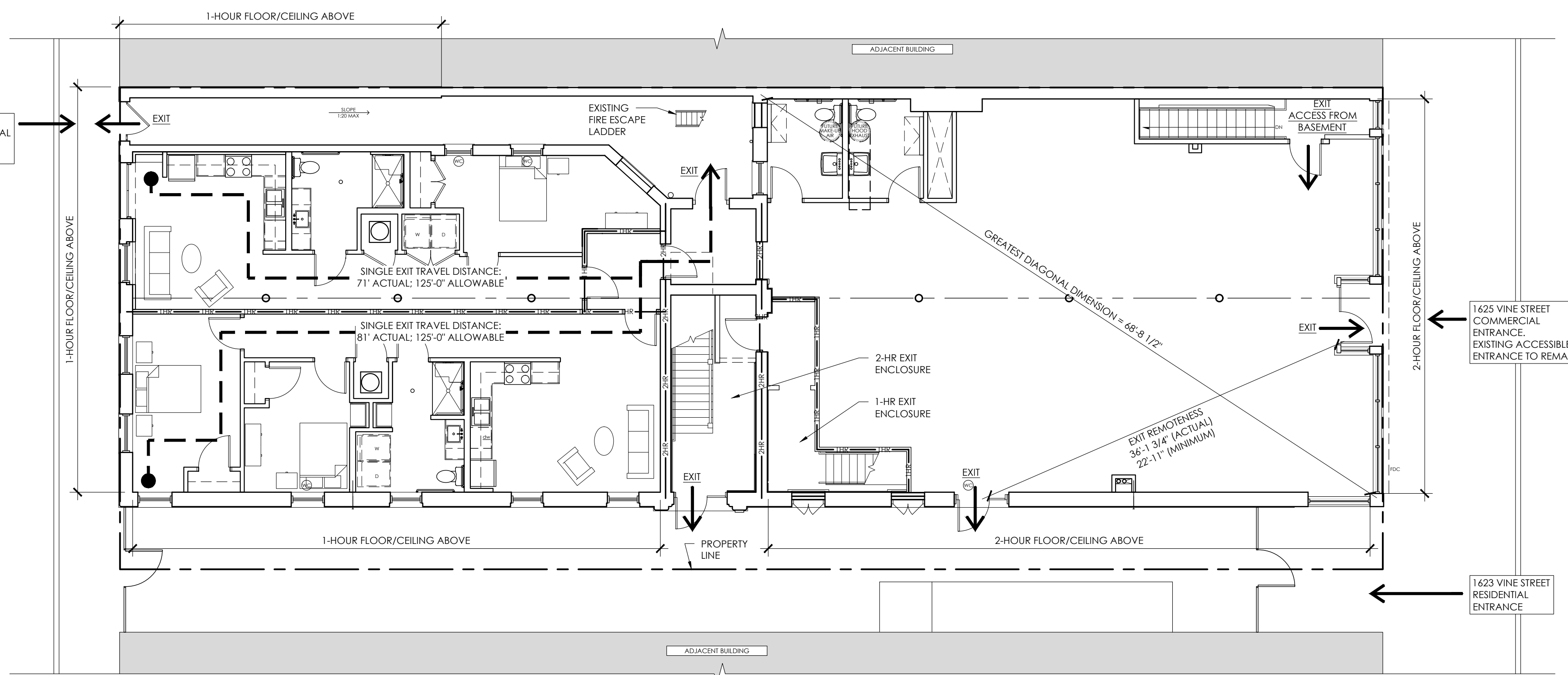
UTILITY PLAN
C200

BUILDING ADDRESS MATRIX

PRIME	METER	UNIT #
1625 VINE	1625 VINE	COMMERCIAL UNIT
	1623 VINE	RESIDENTIAL UNITS: 1, 2, 3, 4, 5, 6, 7, 8, 9, 10, 11, 12
	1624 REPUBLIC	RESIDENTIAL UNITS: 13, 14
1629 VINE	1629 VINE	COMMERCIAL UNIT
	1627 VINE	RESIDENTIAL UNITS: 201, 202, 203, 301, 302, 303, 401, 402
1633 VINE	1633 VINE	COMMERCIAL UNIT
	1631 VINE	RESIDENTIAL UNITS: 201, 202, 203, 302, 303
	1630 REPUBLIC	RESIDENTIAL UNIT: 101



1624 REPUBLIC STREET ACCESSIBLE RESIDENTIAL ENTRANCE TO (2) ANSI TYPE 'X' UNITS



NOT FOR CONSTRUCTION

CITYSTUDIOS ARCHITECTURE
1148 Main Street
Cincinnati, OH 45202
ph. 513.621.0750
citystudiosarch.com

advantage STRUCTURAL ENGINEERS
1527 Madison Road
Cincinnati, OH 45206
513.396.8900
www.advantageSE.com

VIOX & VIOX
Civil Engineers, Surveyors and Landscape Architects
4450 Riverchase Lane, Cincinnati, OH 45241
www.vioxandviox.com

PE Services
1450 S. 39th Street
Lebanon, OH 45046
513.836.3810

RUSS ALLEY
1623 - 1625 VINE STREET, 1624 REPUBLIC STREET
(1625 VINE HPTC APPLICATION)
CINCINNATI, OH 45202

3CDC CINCINNATI CENTER CITY DEVELOPMENT CORPORATION

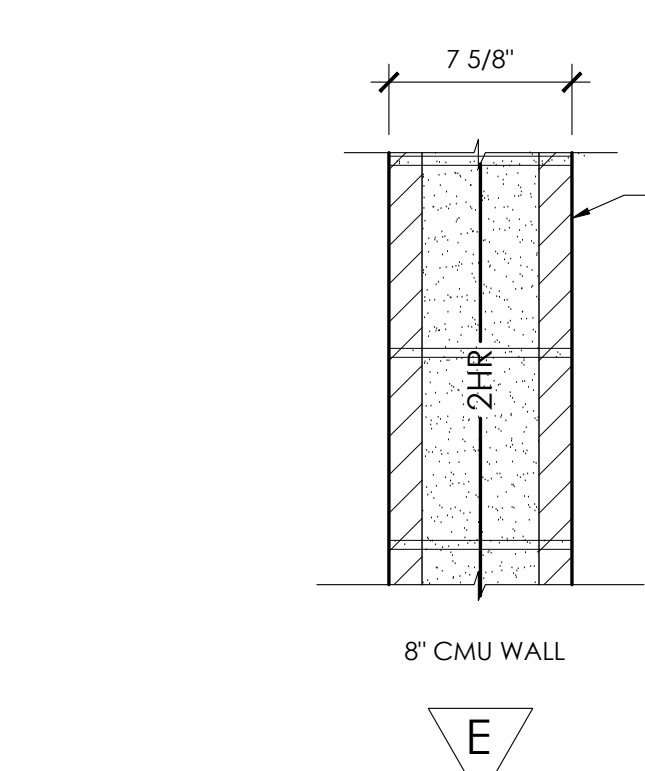
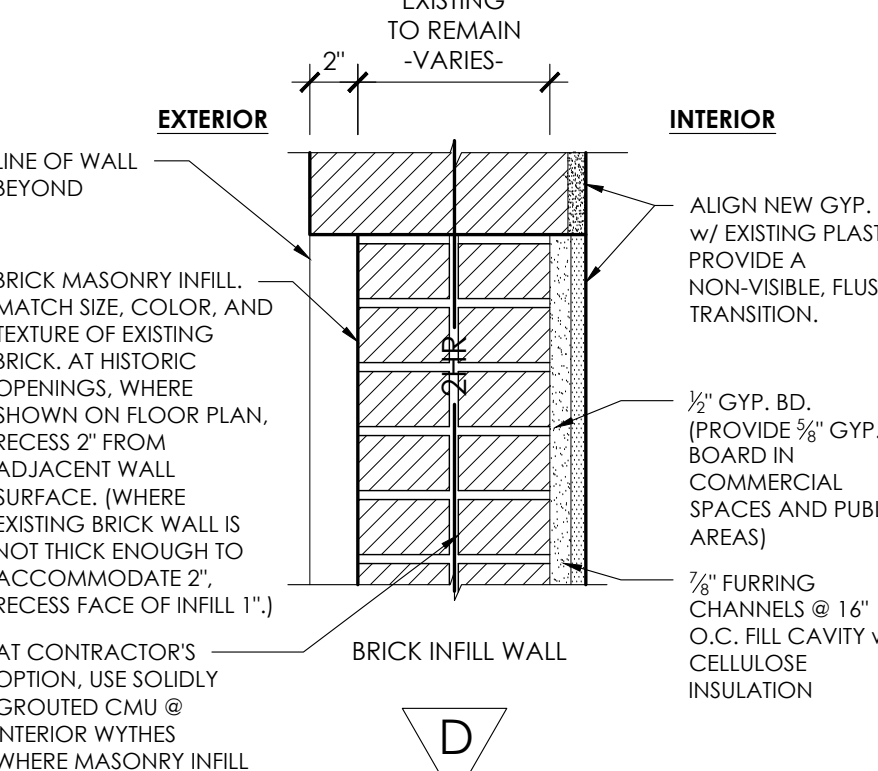
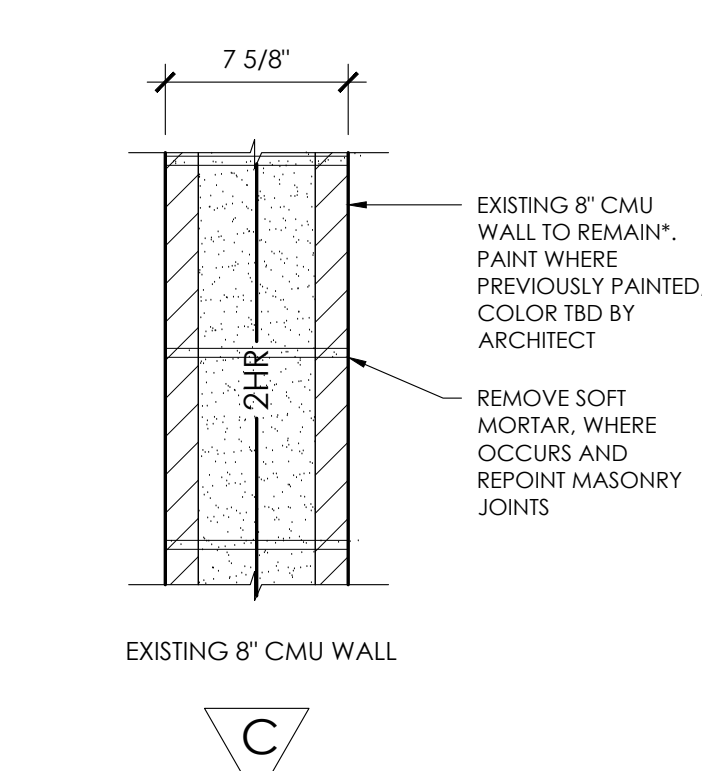
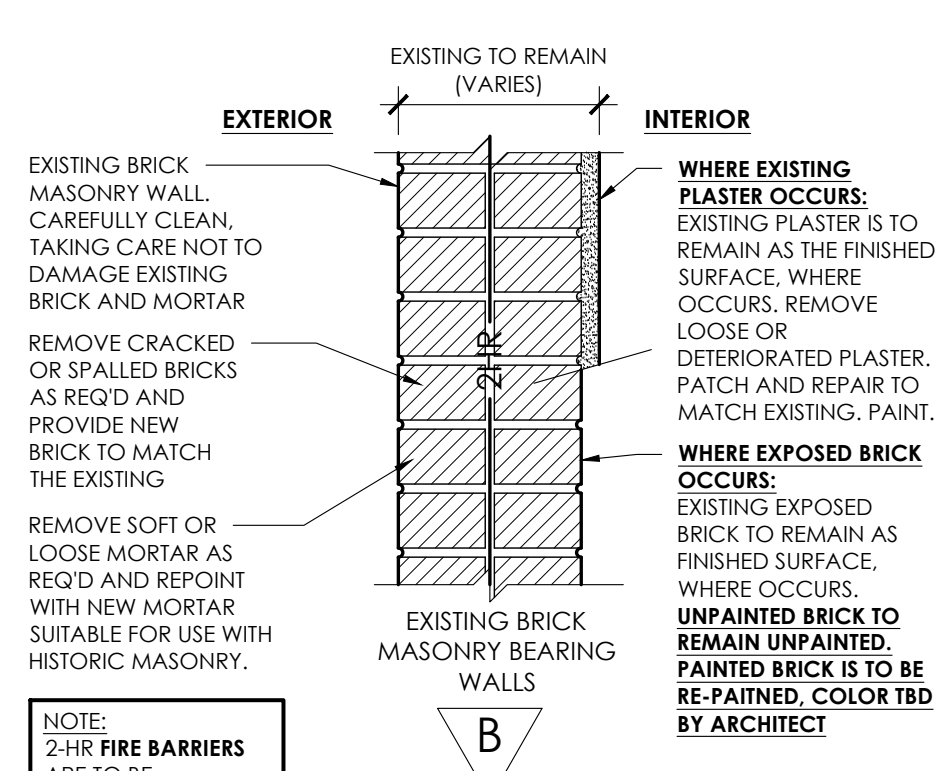
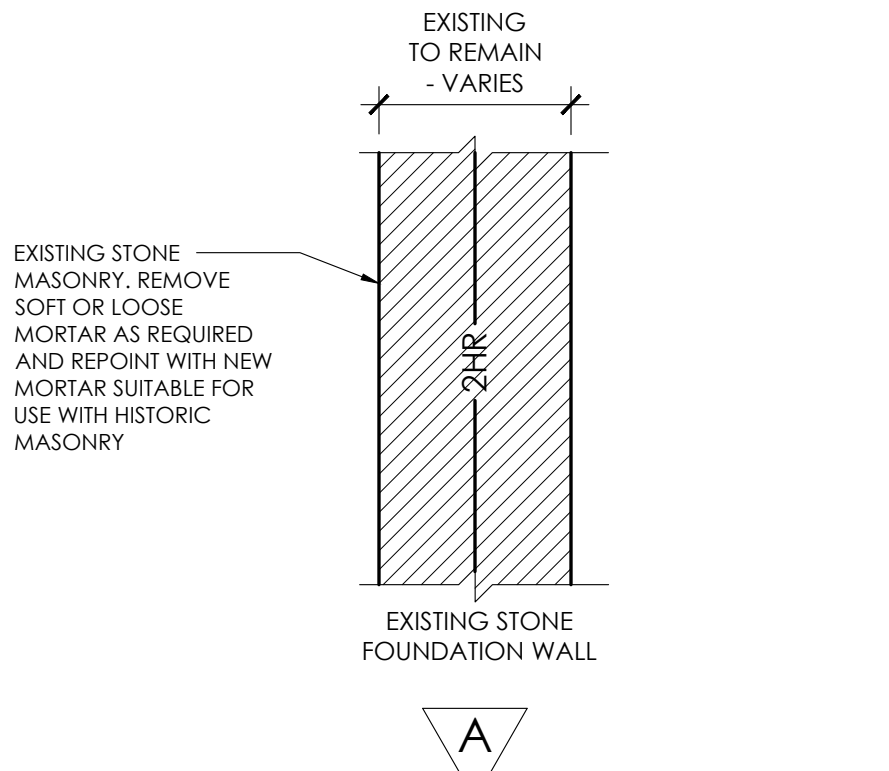
ISSUE LOG:
06.02.2023
ISSUE FOR PERMIT
07.14.2023
PERMIT REVISION 1
09.21.2023
OHFA PRELIM. SUBMISSION

CODE DIAGRAMS

A0.1

PRELIMINARY:
NOT FOR CONSTRUCTION

WALL TYPES

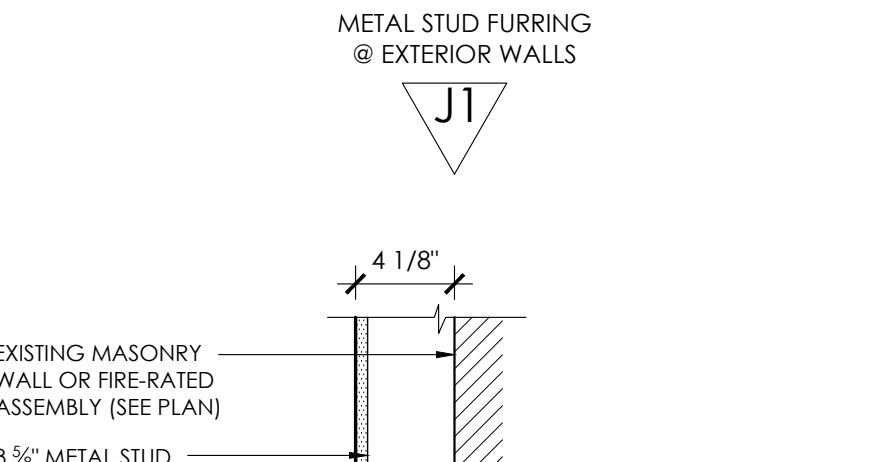
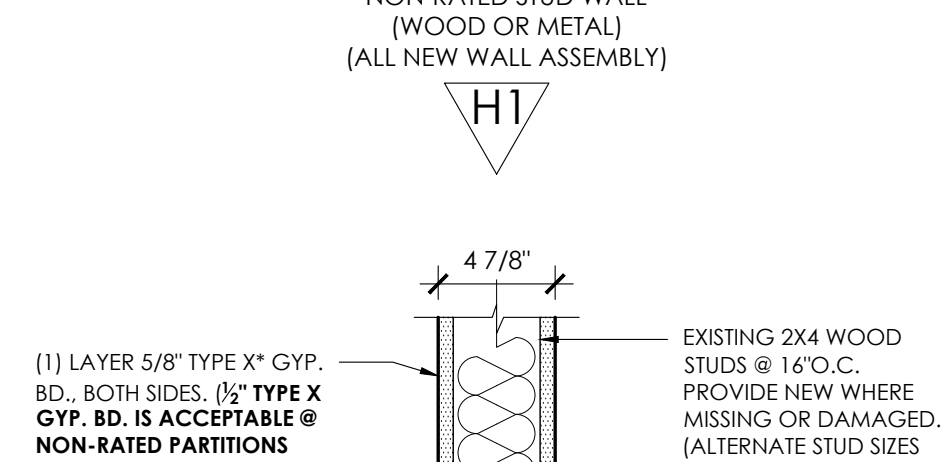
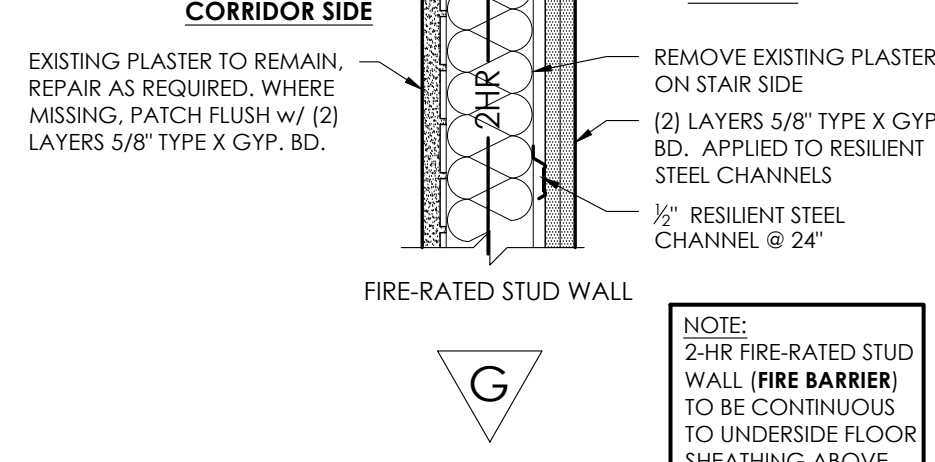
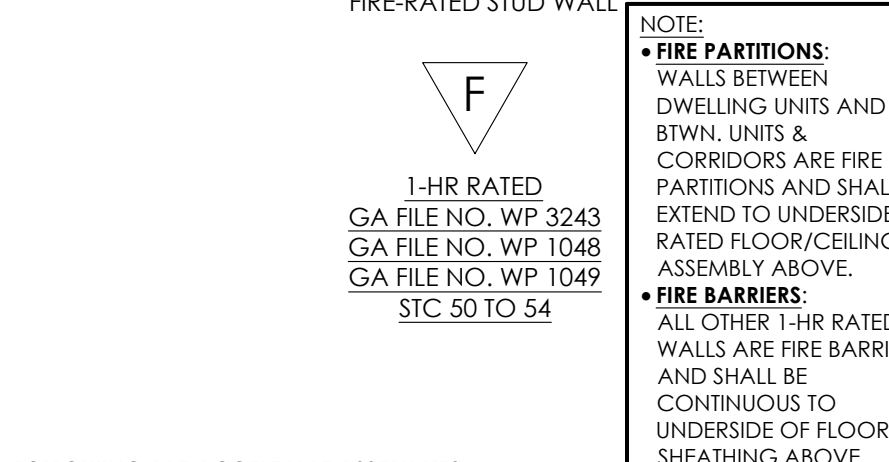
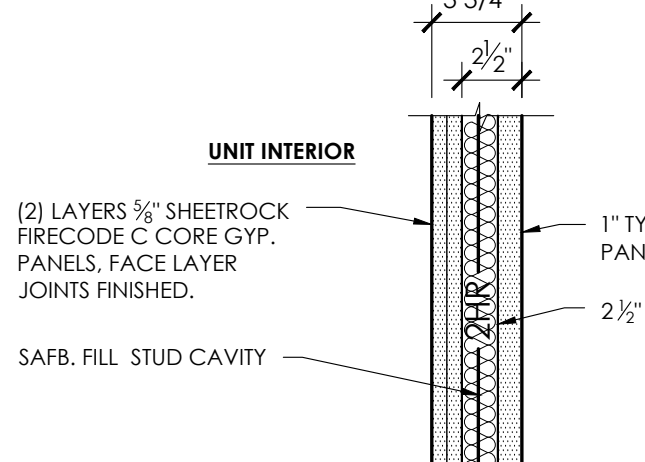
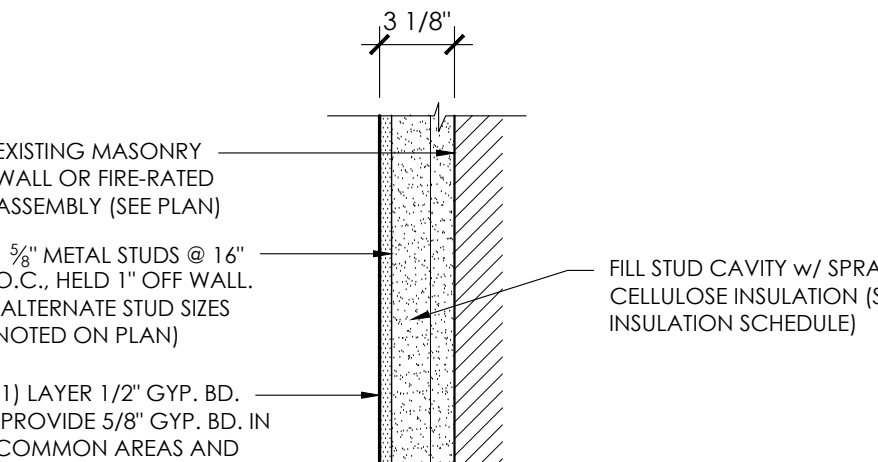
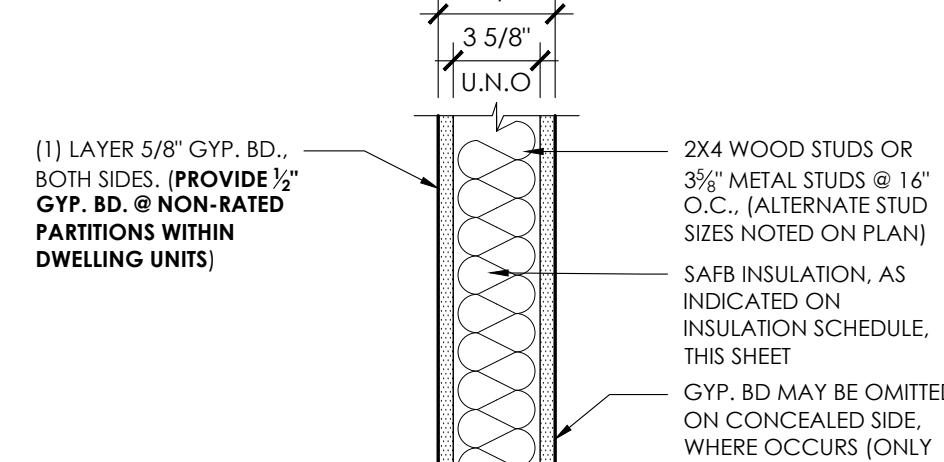
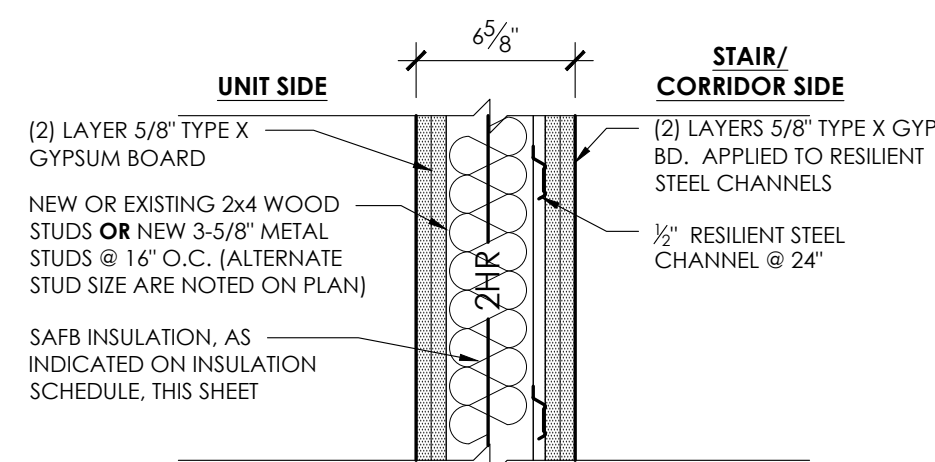
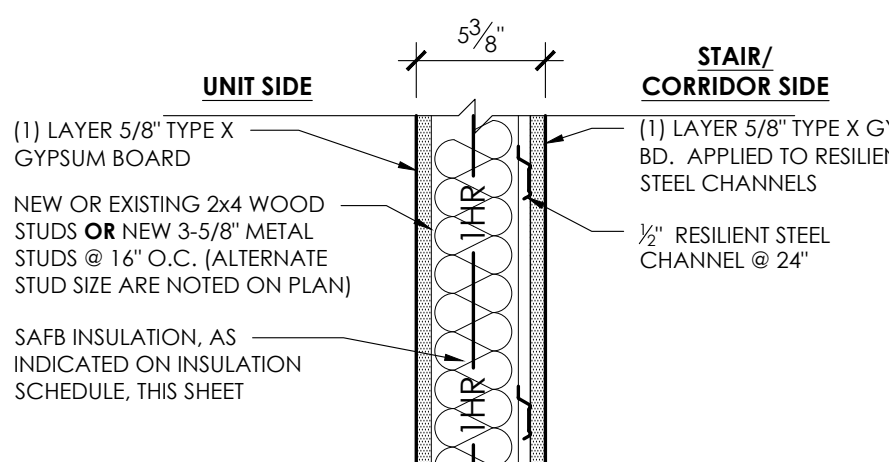


NOTE: 2-HR FIRE BARRIERS ARE TO BE CONTINUOUS TO UNDERSIDE FLOOR SHEATHING ABOVE. EXISTING 2-HR MASONRY WALLS SHALL BE EXTENDED TO DECK IF NOT CONTINUOUS TO DECK (FPI).

1. CONCRETE BLOCKS — VARIOUS DESIGNS. CLASSIFICATION D-2 (2 HR). SEE CONCRETE BLOCKS CATEGORY FOR LIST OF MANUFACTURERS.
2. MORTAR — BLOCKS Laid in full bed or mortar. NOM. 3/8 in. THICK. OF NOT LESS THAN 2 1/4 and NOT MORE THAN 3 1/2 PARTS OF CLEAN SAND TO 1 PART PORTLAND CEMENT (PROPORTIONED BY VOLUME) AND NOT MORE THAN 50 PERCENT HYDRATED LIME (BY CEMENT VOLUME). VERTICAL JOINTS STAGGERED.

*WHERE REPAIRS OR MODIFICATIONS TO EXISTING WALLS ARE REQUIRED, NEW WORK IS TO BE PER THE FIRE-RATED ASSEMBLY - FIRE RATING INDICATED ON FLOOR PLAN.

THE EXISTING WALL ASSEMBLY TO REMAIN, IF WALL IS INDICATED AS HAVING A FIRE RATING, AND PENETRATIONS, MODIFICATIONS OR INFILL AREAS ARE NECESSARY, NEW CONSTRUCTION TO BE SOLID MASONRY INFILL TO MATCH.



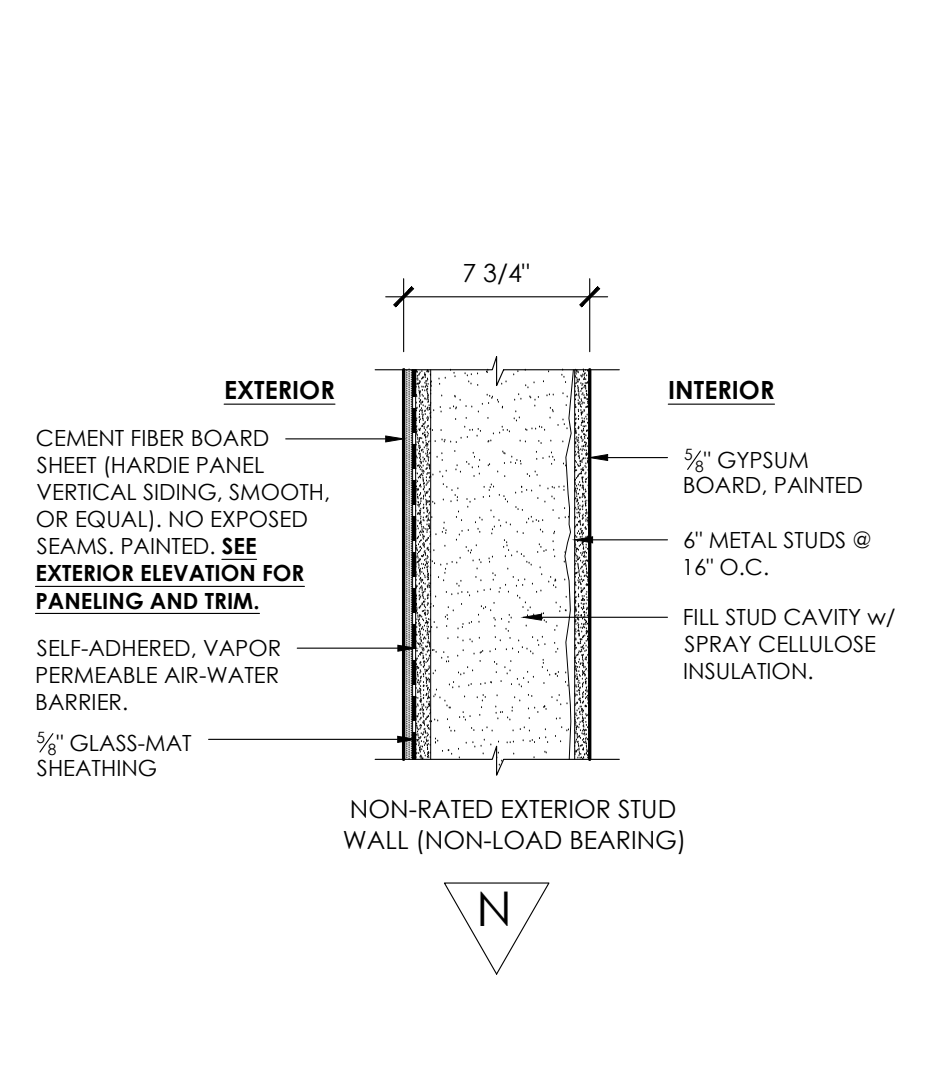
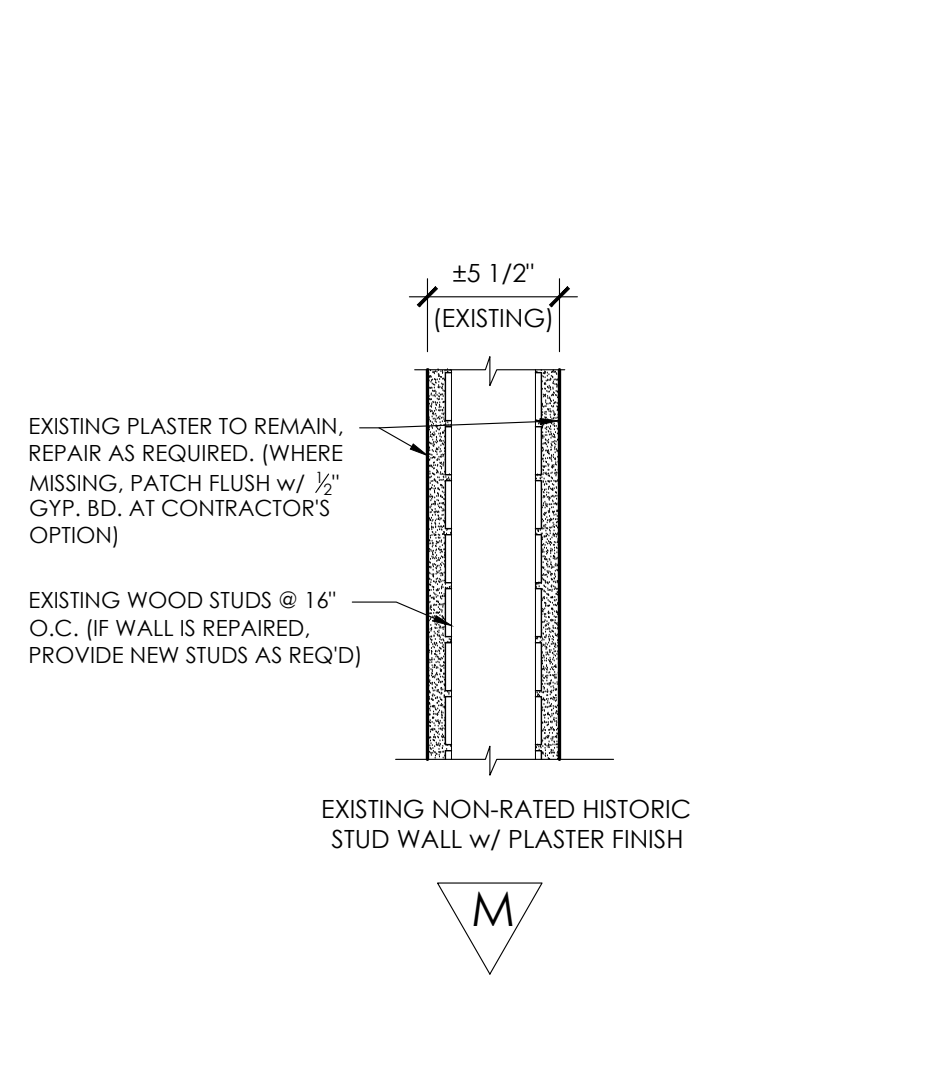
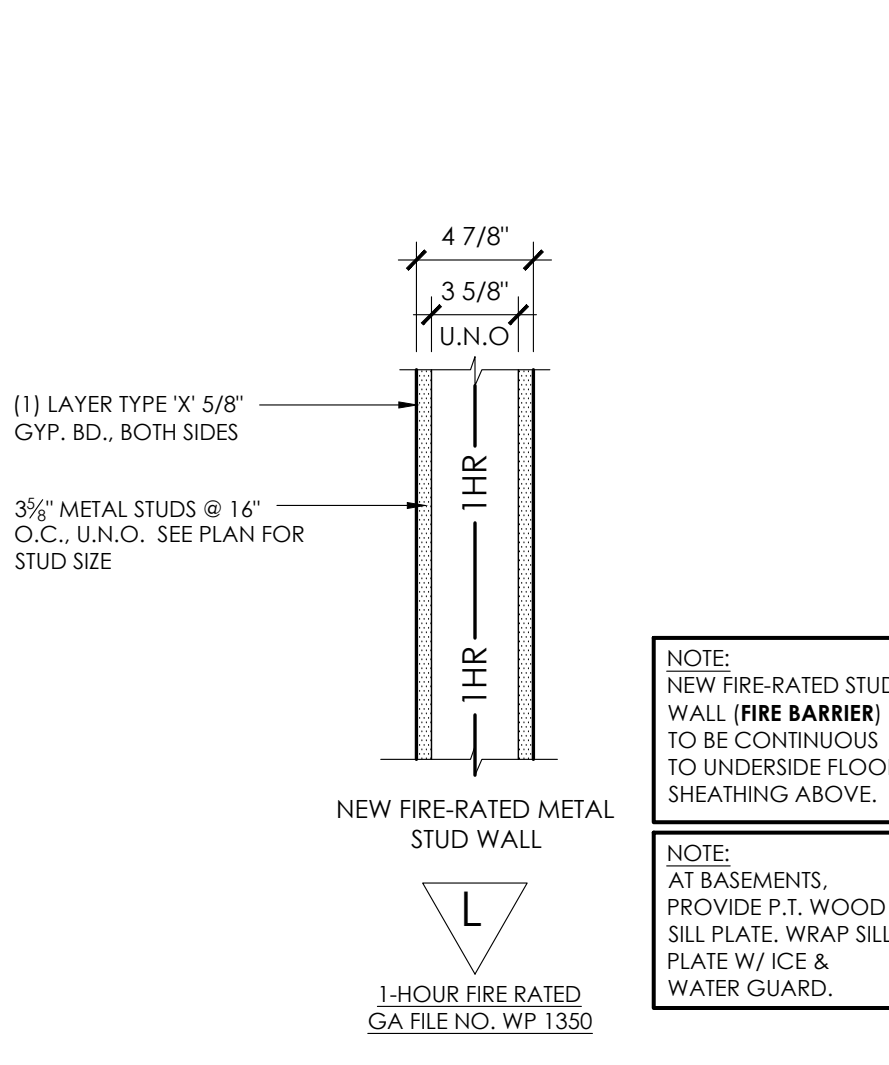
FOLLOWING ARE ACCEPTABLE ASSEMBLIES:
GA FILE NO. WP 3243 (WOOD STUD):
 FIRE DESIGN:
 RESILIENT CHANNELS 24" O.C., ATTACHED AT RIGHT ANGLES TO ONE SIDE OF 2 X 4 WOOD STUDS 24" O.C. WITH 1-1/4" TYPE'S SCREWS. ONE LAYER 5/8" TYPE X GYPSUM WALLBOARD OR GYPSUM VENEER BASE APPLIED PARALLEL TO EACH SIDE. OPPOSITE SIDE, ONE LAYER 5/8" TYPE X GYPSUM WALLBOARD OR GYPSUM VENEER BASE APPLIED PARALLEL TO EACH SIDE. AT INTERMEDIATE STUDS, JOINTS STAGGERED 24" ON OPPOSITE Sides. (N/B)
SOUND DESIGN:
 SOUND TESTED AS CONSTRUCTED FOR FIRE
GA FILE NO. WP 1048 OR WP 1049 (METAL STUD):
 FIRE DESIGN:
 ONE LAYER 5/8" PROPRIETARY TYPE X GYPSUM WALLBOARD APPLIED PARALLEL TO EACH SIDE OR 5/8" 15 MIL STEEL STUDS 24" O.C. WITH 1-1/4" TYPE'S SCREWS 8" O.C. AT VERTICAL JOINTS AND WALL PERIMETER AND 12" O.C. AT INTERMEDIATE STUDS. JOINTS STAGGERED 24" ON OPPOSITE Sides. (N/B)
SOUND DESIGN:
 SOUND TESTED WITH RESILIENT CHANNELS 24" O.C. AND 3-1/2" GLASS FIBER INSULATION FRICTION FIT IN STUD SPACE.
PROPRIETARY GYPSUM BOARD
 AMERICAN GYPSUM COMPANY LLC - 5/8" FIRELOC® TYPE X GYPSUM BOARD
NATIONAL GYPSUM COMPANY - 5/8" GOLD BONDB® BRAND FIRE-SHIELD GYPSUM BOARD

FOLLOWING ARE ACCEPTABLE ASSEMBLIES:
GA FILE NO. WP 3825 (WOOD STUDS)
 FIRE DESIGN:
 BASE LAYER 5/8" TYPE X GYPSUM WALLBOARD APPLIED PARALLEL TO EACH SIDE OF 2 X 4 WOOD STUDS 14" O.C. WITH 1-1/4" TYPE'S SCREWS 8" O.C. FACE LAYER 5/8" TYPE X GYPSUM WALLBOARD APPLIED PARALLEL TO EACH SIDE WITH 1-7/8" TYPE W SCREWS 8" O.C. JOINTS STAGGERED 24" EACH LAYER AND SIDE. (LOAD-BEARING)
SOUND DESIGN:
 SOUND TESTED WITH RESILIENT CHANNELS 24" O.C. ON ONE SIDE AND 3-1/2" GLASS FIBER INSULATION IN THE STUD CAVITY.
PROPRIETARY GYPSUM BOARD
 American Gypsum Company LLC - 5/8" FIRELOC® Type X Gypsum Board
GA FILE NO. WP 1048 OR WP 1049 (METAL STUD):
 FIRE DESIGN:
 ONE LAYER 5/8" PROPRIETARY TYPE X GYPSUM WALLBOARD APPLIED PARALLEL TO EACH SIDE OR 5/8" 15 MIL STEEL STUDS 24" O.C. WITH 1-1/4" TYPE'S SCREWS 8" O.C. AT VERTICAL JOINTS AND WALL PERIMETER AND 12" O.C. AT INTERMEDIATE STUDS. JOINTS STAGGERED 24" ON OPPOSITE Sides. (N/B)
SOUND DESIGN:
 SOUND TESTED WITH RESILIENT CHANNELS 24" O.C. AND 3-1/2" GLASS FIBER INSULATION FRICTION FIT IN STUD SPACE.
PROPRIETARY GYPSUM BOARD
 AMERICAN GYPSUM COMPANY LLC - 5/8" FIRELOC® TYPE X GYPSUM BOARD
NATIONAL GYPSUM COMPANY - 5/8" GOLD BONDB® BRAND FIRE-SHIELD GYPSUM BOARD

FOLLOWING ARE ACCEPTABLE ASSEMBLIES:
GA FILE NO. WP 3825 (WOOD STUDS)
 FIRE DESIGN:
 BASE LAYER 5/8" TYPE X GYPSUM WALLBOARD APPLIED PARALLEL TO EACH SIDE OF 2 X 4 WOOD STUDS 14" O.C. WITH 1-1/4" TYPE'S SCREWS 8" O.C. FACE LAYER 5/8" TYPE X GYPSUM WALLBOARD APPLIED PARALLEL TO EACH SIDE WITH 1-7/8" TYPE W SCREWS 8" O.C. JOINTS STAGGERED 24" EACH LAYER AND SIDE. (LOAD-BEARING)
SOUND DESIGN:
 SOUND TESTED WITH RESILIENT CHANNELS 24" O.C. ON ONE SIDE AND 3-1/2" GLASS FIBER INSULATION IN THE STUD CAVITY.
PROPRIETARY GYPSUM BOARD
 American Gypsum Company LLC - 5/8" FIRELOC® Type X Gypsum Board
GA FILE NO. WP 1048 OR WP 1049 (METAL STUD):
 FIRE DESIGN:
 ONE LAYER 5/8" PROPRIETARY TYPE X GYPSUM WALLBOARD APPLIED PARALLEL TO EACH SIDE OR 5/8" 15 MIL STEEL STUDS 24" O.C. WITH 1-1/4" TYPE'S SCREWS 8" O.C. AT VERTICAL JOINTS AND WALL PERIMETER AND 12" O.C. AT INTERMEDIATE STUDS. JOINTS STAGGERED 24" ON OPPOSITE Sides. (N/B)
SOUND DESIGN:
 SOUND TESTED WITH RESILIENT CHANNELS 24" O.C. AND 3-1/2" GLASS FIBER INSULATION FRICTION FIT IN STUD SPACE.
PROPRIETARY GYPSUM BOARD
 AMERICAN GYPSUM COMPANY LLC - 5/8" FIRELOC® TYPE X GYPSUM BOARD
NATIONAL GYPSUM COMPANY - 5/8" GOLD BONDB® BRAND FIRE-SHIELD GYPSUM BOARD

FOLLOWING ARE ACCEPTABLE ASSEMBLIES:
GA FILE NO. WP 3825 (WOOD STUDS)
 FIRE DESIGN:
 BASE LAYER 5/8" TYPE X GYPSUM WALLBOARD APPLIED PARALLEL TO EACH SIDE OF 2 X 4 WOOD STUDS 14" O.C. WITH 1-1/4" TYPE'S SCREWS 8" O.C. FACE LAYER 5/8" TYPE X GYPSUM WALLBOARD APPLIED PARALLEL TO EACH SIDE WITH 1-7/8" TYPE W SCREWS 8" O.C. JOINTS STAGGERED 24" EACH LAYER AND SIDE. (LOAD-BEARING)
SOUND DESIGN:
 SOUND TESTED WITH RESILIENT CHANNELS 24" O.C. ON ONE SIDE AND 3-1/2" GLASS FIBER INSULATION IN THE STUD CAVITY.
PROPRIETARY GYPSUM BOARD
 American Gypsum Company LLC - 5/8" FIRELOC® Type X Gypsum Board
GA FILE NO. WP 1048 OR WP 1049 (METAL STUD):
 FIRE DESIGN:
 ONE LAYER 5/8" PROPRIETARY TYPE X GYPSUM WALLBOARD APPLIED PARALLEL TO EACH SIDE OR 5/8" 15 MIL STEEL STUDS 24" O.C. WITH 1-1/4" TYPE'S SCREWS 8" O.C. AT VERTICAL JOINTS AND WALL PERIMETER AND 12" O.C. AT INTERMEDIATE STUDS. JOINTS STAGGERED 24" ON OPPOSITE Sides. (N/B)
SOUND DESIGN:
 SOUND TESTED WITH RESILIENT CHANNELS 24" O.C. AND 3-1/2" GLASS FIBER INSULATION FRICTION FIT IN STUD SPACE.
PROPRIETARY GYPSUM BOARD
 AMERICAN GYPSUM COMPANY LLC - 5/8" FIRELOC® TYPE X GYPSUM BOARD
NATIONAL GYPSUM COMPANY - 5/8" GOLD BONDB® BRAND FIRE-SHIELD GYPSUM BOARD

FOLLOWING ARE ACCEPTABLE ASSEMBLIES:
GA FILE NO. WP 3825 (WOOD STUDS)
 FIRE DESIGN:
 BASE LAYER 5/8" TYPE X GYPSUM WALLBOARD APPLIED PARALLEL TO EACH SIDE OF 2 X 4 WOOD STUDS 14" O.C. WITH 1-1/4" TYPE'S SCREWS 8" O.C. FACE LAYER 5/8" TYPE X GYPSUM WALLBOARD APPLIED PARALLEL TO EACH SIDE WITH 1-7/8" TYPE W SCREWS 8" O.C. JOINTS STAGGERED 24" EACH LAYER AND SIDE. (LOAD-BEARING)
SOUND DESIGN:
 SOUND TESTED WITH RESILIENT CHANNELS 24" O.C. ON ONE SIDE AND 3-1/2" GLASS FIBER INSULATION IN THE STUD CAVITY.
PROPRIETARY GYPSUM BOARD
 American Gypsum Company LLC - 5/8" FIRELOC® Type X Gypsum Board
GA FILE NO. WP 1048 OR WP 1049 (METAL STUD):
 FIRE DESIGN:
 ONE LAYER 5/8" PROPRIETARY TYPE X GYPSUM WALLBOARD APPLIED PARALLEL TO EACH SIDE OR 5/8" 15 MIL STEEL STUDS 24" O.C. WITH 1-1/4" TYPE'S SCREWS 8" O.C. AT VERTICAL JOINTS AND WALL PERIMETER AND 12" O.C. AT INTERMEDIATE STUDS. JOINTS STAGGERED 24" ON OPPOSITE Sides. (N/B)
SOUND DESIGN:
 SOUND TESTED WITH RESILIENT CHANNELS 24" O.C. AND 3-1/2" GLASS FIBER INSULATION FRICTION FIT IN STUD SPACE.
PROPRIETARY GYPSUM BOARD
 AMERICAN GYPSUM COMPANY LLC - 5/8" FIRELOC® TYPE X GYPSUM BOARD
NATIONAL GYPSUM COMPANY - 5/8" GOLD BONDB® BRAND FIRE-SHIELD GYPSUM BOARD



ONE LAYER 5/8" TYPE X GYPSUM WALLBOARD OR GYPSUM VENEER BASE APPLIED PARALLEL TO EACH SIDE OF 3/8" 18 MIL STEEL STUDS 24" O.C. WITH 1-1/4" TYPE'S SCREWS 8" O.C. AT VERTICAL JOINTS AND 12" O.C. AT FLOOR AND CEILING RUNNERS AND INTERMEDIATE STUDS. JOINTS STAGGERED 24" ON OPPOSITE SIDES. (N/B)

EXISTING PLASTER TO REMAIN, REPAIR AS REQUIRED, WHERE MISSING, PATCH FLUSH W/ 1/2" GYP. BD. AT CONTRACTOR'S OPTION

EXISTING WOOD STUDS @ 16" O.C. IF WALL IS REPAIRED, PROVIDE NEW STUDS AS REQ'D)

EXISTING MASONRY WALL OR FIRE-RATED ASSEMBLY (SEE PLAN)

EXISTING 2x4 WOOD STUDS @ 16" O.C. PROVIDE NEW WHERE MISSING OR DAMAGED. (ALTERNATE STUD SIZES NOTED ON PLAN)

MOISTURE & MOLD RESISTANT GYPSUM BOARD SCHEDULE

PAPERLESS GYPSUM BOARD NOTES (OHFA STANDARD):
 1. REFER TO A DESIGN AND ARCHITECTURE STANDARDS CLARIFICATION, EFFECTIVE MAY 1, 2020. FIBERGLASS FACED OR APPROVED EQUIVALENT PAPERLESS GYPSUM BOARD SHALL BE USED AT ALL VERTICAL AND HORIZONTAL SURFACES AT THE FOLLOWING LOCATIONS:
 • BEHIND KITCHEN SINKS AND BATHROOM/TOLILET ROOM SINKS TO A HEIGHT OF 3' ABOVE TOP OF BASE CABSINETS
 • SHOWER AND BATH SURROUNDS, EXTENDED TO 6" BEYOND AND ABOVE SURROUND, AND MIN. 6" ABOVE TOP OF SHOWER SURROUND.
 • BEHIND TOILETS AND AT SPACE BETWEEN TOILETS AND BATH/SHOWER SURROUNDS, TO HEIGHT OF TOP OF TOILET TANK.
 • CEILING, WHERE BATHROOM AND TOILET ROOMS ARE ABOVE.
 • ON WALLS LESS THAN 4 FEET FROM SPRINKLER SERVICE CONTROLS AND WATER SERVICE LINES LOCATED IN RESIDENT ROOMS.
 2. PAPER-FACED MOISTURE/MOLD RESISTANT GYP. BD. IS ACCEPTABLE AT THE FOLLOWING LOCATIONS, EXCEPT WHERE PAPERLESS GYP. BD. IS REQUIRED (SEE ABOVE):
 • WITHIN 4 FEET HORIZONTALLY AND VERTICALLY OF ANY WATER SOURCE (EXCEPT DIRECTLY BEHIND SINKS, TUB, AND SHOWER SURROUNDS).
 • WITHIN 4 FEET IN ANY DIRECTION BEHIND LAUNDRY/CLOTHES WASHING MACHINES, WATER HEATERS, WATER METERS, ETC.
 • BEHIND PUBLIC DRINKING FOUNTAINS (WHERE OCCURS).

LOCATION	MOISTURE RESISTANT	MOISTURE/MOLD RESISTANT	NOTES (SEE NOTES ABOVE)
KITCHENS	-	X	
BATHROOMS	-	X	
TRASH ROOMS	-	X	WITHIN 4' OF ALL SOURCES OF WATER.
LAUNDRY ROOM AND LAUNDRY CLOSETS	-	X	
UTILITY CLOSET (WHERE WATER HEATER IS LOCATED)	-	X	
BASEMENTS	X	-	ALL WALLS AND CEILINGS

WALL TYPE NOTES

- WALL TAG NOTE:**
 NEW METAL STUDS = 3 1/2" U.L.O. ON FLOOR PLAN.
 NEW GYP. BD. @ INTERIOR WALLS = FRR WALL TYPE. U.L.O.
 ALTERNATE STUD SIZES ARE INDICATED ON FLOOR PLAN, AS NOTED BELOW.
- WALL TYPE TAG:**
 METAL STUD SIZE (STUD SIZE IS PER WALL TYPE. U.L.O. ON PLAN)
 WALL FURRING SIZE (STUD SIZE IS PER WALL TYPE. U.L.O. ON PLAN)
- WALL FRAMING NOTE:**
 WOOD STUDS MAY BE SUBSTITUTED FOR LIGHT GAUGE METAL FRAMING OF NEW EXTERIOR WALLS AND NEW FURRING AS FOLLOWS:
 1 1/2" METAL STUD = 2x WOOD FURRING
 3 1/2" METAL STUD = 2x4 WOOD STUD
 6" METAL STUD = 2x4 WOOD STUD
- *AT FIRE-RATED WALLS, EQUIVALENT UL TESTED ASSEMBLIES ARE REQUIRED. *NEW SHAFF WALLS ARE TO BE METAL STUD, AS INDICATED IN WALL TYPE.
- EXHAUST DUCT ROUTING NOTE:**
 (SEE REC. SECTION 777.4.1, EXCEPTION, SEE MECHANICAL DRAWINGS)
 STUD WALLS WHICH CONTAIN EXHAUST DUCTS WHICH ARE ROUTED UP THROUGH THE ROOF MUST BE CONTINUOUS GYP. BD. ON ALL SIDES TO UNDERSIDE OF ROOF DECK.
- PRESSURE TREATED WOOD:**
 PROVIDE P.T. WOOD FRAMING FOR ALL FRAMING INSIDE BUILDING WHICH IS IN DIRECT CONTACT WITH CONCRETE OR MASONRY, INCLUDING BUT NOT LIMITED TO BASEMENT FLOOR SLAB.
- PROVIDE DRYWALL RIP STRIPS WHERE DRYWALL MEETS MASONRY FINISH.

INSULATION SCHEDULE*

*REFER TO WALL ASSEMBLIES ON SHEET A0.2 AND FLOOR/CEILING ASSEMBLIES ON SHEET A0.3 FOR ADDITIONAL INFORMATION.

LOCATION	TYPE	R-VALUE/THICKNESS	NOTES
FRAMED CORRIDOR WALLS (NEW AND EXISTING)	FIBERGLASS	3-1/2" 5-1/2"	FILL STUD CAVITY.
NEW WALLS AT MECHANICAL ROOMS AND MECHANICAL CLOSETS	FIBERGLASS	3-1/2" 5-1/2"	FILL STUD CAVITY.
FRAMED WALLS AT LAUNDRY CLOSETS (WHERE OCCURS)	FIBERGLASS	3-1/2" 5-1/2"	FILL STUD CAVITY.
NEW FURRING ON EXTERIOR MASONRY WALLS (WHERE OCCURS)	SPRAY CELLULOSE	R-19*	*FILL STUD CAVITY. PROVIDE CONTINUOUS SPRAYED-ON CELLULOSE.
FLOOR / CEILING ASSEMBLIES BETWEEN BASEMENTS AND RESIDENTIAL SPACES	-	-	NONE
FLOOR / CEILING ASSEMBLIES BETWEEN BASEMENTS AND RESIDENTIAL SPACES	FIBERGLASS	R-30	-
FLOOR/CEILING ASSEMBLIES BETWEEN RESIDENTIAL UNITS AND EXTERIOR SPACE (BREEZEWAYS)	FIBERGLASS	R-30	UNFACED BATT INSULATION. (SEE FLOOR/CEILING ASSEMBLY GENERAL NOTES ON A0.3 FOR ADDITIONAL INFO.)
FLOOR / CEILING ASSEMBLIES BETWEEN COMMERCIAL AND RESIDENTIAL SPACES	-	-	SEE FIRE-RESISTANCE RATED ASSEMBLIES ON A0.3.
FLOOR / CEILING ASSEMBLIES BETWEEN TWO DWELLING UNITS	-	-	SEE FIRE-RESISTANCE RATED ASSEMBLIES ON A0.3.
FLOOR / CEILING ASSEMBLIES BETWEEN UNOCCUPIED ATTICS	BLOWN-IN CELLULOSE AND/OR FIBERGLASS BATT	R-38	PROVIDE BLOWN-IN CELLULOSE ON ATTIC FLOOR AND/OR FIBERGLASS BATT IN JOIST CAVITIES AS REQUIRED TO ACHIEVE THE TOTAL REQUIRED R-VALUE.
ROOF / CEILING ASSEMBLIES ABOVE RESIDENTIAL SPACES	CLOSED CELL SPRAY FOAM	R-38	CLOSED CELL SPRAY FOAM TO FILL RAFTER CAVITIES. NOTE: CLOSED CELL INSULATION IS REQUIRED TO AVOID TRAPPING MOISTURE WITHIN ROOF ASSEMBLY (DO NOT SUBSTITUTE OPEN-CELL SPRAYED FOAM).
ROOF / CEILING ASSEMBLIES ABOVE UNOCCUPIED ATTICS	-	-	NO INSULATION REQUIRED. SEE ABOVE FOR THERMAL INSULATION ABOVE RESIDENTIAL SPACES.
ROOF INSULATION - 1633 VINE ST., WEST 2-STORY PORTION OF BUILDING.	RIGID FOAM	R-25 CONT. MIN.*	*PROVIDE MINIMUM R-25 CONTINUOUS RIGID FOAM INSULATION ABOVE ROOF DECK.

INTERIOR FINISHES SCHEDULE

NOTE: ALL INTERIOR FINISHES AND PAINT COLORS WILL BE SELECTED BY THE ARCHITECT DURING CONSTRUCTION. SUBMIT PHYSICAL SAMPLES OF ALL INTERIOR FINISHES TO ARCHITECT FOR APPROVAL PRIOR TO PURCHASE.

ROOM	FLOORS	BASE	WALLS	CEILING	NOTES
BASEMENT	CONCRETE SLAB.	NONE	EXISTING STONE FOUNDATION, EXPOSED BRICK, AND CMU WALLS, REPAIR AS REQ'D	EXISTING EXPOSED FLOOR STRUCTURE, UNPAINTED OR PAINTED GYP. BOARD AT FIRE-RATED FLOOR/CEILING (SEE PLANS), TAPE AND MUD.	
COMMON LAUNDRY ROOM	EXISTING CONCRETE SLAB, SEAL WITH CLEAR COAT.	NEW VINYL BASE	NEW PAINTED GYPSUM BOARD	NEW PAINTED GYPSUM BOARD	
COMMERCIAL RESTROOMS	NEW PORCELAIN TILE, B.O.D., DALTILE UNDER POINT, ORIGIO, 12" X 24"	TILE BASE TO MATCH FLOORS. 4" TALL. PROVIDE SCHLITZER SCHEME EDGE TRIM.	EXISTING PLASTER AND / OR NEW GYP. BOARD, SEE NEW WORK PLANS, PRIME AND PAINT.	NEW PAINTED GYPSUM BOARD	
COMMERCIAL SPACES	REFINISHED HISTORIC HARDWOOD FLOORING TO BE CONTINUOUS TO UNDERSIDE FLOOR (FOR LOCATIONS) OR NEW PRE-FINISHED HARDWOOD.*	WHERE HISTORIC BASE IS PRESENT (REFER TO HISTORIC KEY NOTES FOR LOCATIONS); PATCH, REPAIR, AND PAINT HISTORIC WOOD BASE. PROVIDE NEW QUARTER ROUND TOE MOULD, PAINTED. WHERE HISTORIC BASE IS NOT PRESENT, PROVIDE NEW 1 X 6 WOOD BASE WITH QUARTER ROUND TOE MOULD, PAINTED.	EXISTING PLASTER AND / OR NEW GYP. BOARD, SEE NEW WORK PLANS, PRIME AND PAINT.	IN 1625 VINE SALVAGE, RE-INSTALL AND RE-PAIN HISTORIC METAL CEILING PANELS AND CROWN MOULDING (REFER TO HISTORIC KEY NOTES FOR LOCATIONS)	
DWELLING UNIT BEDROOMS, LIVING ROOMS, HALLWAYS, KITCHENS AND CLOSETS**	1630 REPUBLIC UNIT 101, 1631 VINE UNIT 201 (FIRST FLOOR) NEW CONCRETE SLAB SEALED W/ CLEAR COAT.	WHERE HISTORIC BASE IS PRESENT (REFER TO HISTORIC KEY NOTES FOR LOCATIONS); PATCH, REPAIR, AND PAINT HISTORIC WOOD BASE. PROVIDE NEW QUARTER ROUND TOE MOULD, PAINTED. WHERE HISTORIC BASE IS NOT PRESENT, PROVIDE NEW 1 X 6 WOOD BASE WITH QUARTER ROUND TOE MOULD, PAINTED.	EXISTING PLASTER AND / OR NEW GYP. BOARD, SEE NEW WORK PLANS, PRIME AND PAINT.	PROVIDE HORIZONTAL COVER BLINDS ALL RESIDENTIAL WINDOWS	
DWELLING UNIT BATHROOM	NEW PORCELAIN TILE, B.O.D., ANATOLIA X 8" FORM MONOCHROME STELLAR DECO 440-355	PROVIDE NEW 1 X 6 WOOD BASE WITH QUARTER ROUND TOE MOULD, PAINTED.	EXISTING PLASTER AND / OR NEW GYP. BOARD, SEE NEW WORK PLANS, PRIME AND PAINT.	PROVIDE HORIZONTAL COVER BLINDS ALL RESIDENTIAL WINDOWS	
DWELLING UNIT MECHANICAL AND LAUNDRY CLOSETS	NEW VCT, B.O.D. - TARRETT VCT II 1630 REPUBLIC UNIT 101 & 1631 VINE UNIT 201 (FIRST FLOOR) NEW CONCRETE SLAB SEALED W/ CLEAR COAT.	NEW VINYL BASE	EXPOSED BRICK, EXISTING PLASTER AND / OR NEW GYP. BOARD, SEE NEW WORK PLANS, PRIME AND PAINT.	NEW PAINTED GYPSUM BOARD	
HISTORIC STAIRS	LANDINGS AND HALLS TO BE REFINISHED HISTORIC WOOD. INTERMEDIATE LANDINGS BETWEEN THE STORIES TO BE PAINTED TO MATCH TREADS. REFER TO NOTES COLUMN FOR EXCEPTIONS, REFER TO HISTORIC KEY NOTES)	PATCH AND PAINT ALL HISTORIC KEY NOTES, PROVIDE NEW TO MATCH AS REQ'D. WHERE HISTORIC BASE IS NOT PRESENT, PROVIDE NEW 1 X 6 WOOD BASE WITH QUARTER ROUND TOE MOULD, PAINTED.	HISTORIC WOOD BEADBOARD WAINSCOT TO REMAIN, REPAIR, CLEAN, PAINT, (REFER TO HISTORIC KEY NOTES), PROVIDE NEW TO MATCH AS REQ'D. EXISTING PLASTER WALLS TO REMAIN AND TO BE CLEANED, REPAIRED, AND REPAINTED.	EXISTING PLASTER AT UNDERSIDE OF STAIR CAN REMAIN IN GOOD / STABLE CONDITION, REPAIR, CLEAN, AND PAINT. OR NEW PAINTED GYP. BOARD, SEE NEW WORK PLANS.	
ACCESSIBLE RESIDENTIAL ENTRY VESTIBULE & CORRIDOR (1624 REPUBLIC)	NEW PRE-FINISHED HARDWOOD.*	WHERE HISTORIC BASE IS PRESENT (REFER TO HISTORIC KEY NOTES FOR LOCATIONS); PATCH, REPAIR, AND PAINT HISTORIC WOOD BASE. PROVIDE NEW QUARTER ROUND TOE MOULD, PAINTED. WHERE HISTORIC BASE IS NOT PRESENT, PROVIDE NEW 1 X 6 WOOD BASE WITH QUARTER ROUND TOE MOULD, PAINTED.	EXISTING PLASTER AND / OR NEW GYP. BOARD, SEE NEW WORK PLANS, PRIME AND PAINT.	EXISTING PLASTER AT UNDERSIDE OF STAIR CAN REMAIN IN GOOD / STABLE CONDITION, REPAIR, CLEAN, AND PAINT. (WHERE APPLICABLE) OR NEW PAINTED GYP. BOARD, SEE NEW WORK PLANS.	
UNIT STAIRS (1631 VINE UNIT 201)	NEW STAINED HARDWOOD TREADS (TO MATCH WOOD FLOORING ON FLOOR 2), FINISHED RISERS.	PROVIDE NEW 1 X 6 WOOD BASE WITH QUARTER ROUND TOE MOULD, PAINTED.	EXPOSED BRICK, EXISTING PLASTER AND / OR NEW GYP. BOARD, SEE NEW WORK PLANS, PRIME AND PAINT.	NEW PAINTED GYPSUM BOARD	
UNOCCUPIED SPACES	NO NEW FINISHES, U.L.O.				

**CONDITION AND EXTENT OF HISTORIC WOOD FLOORING IS TO BE CONFIRMED IN FIELD DURING DEMOLITION. WHERE SALVAGEABLE, THE EXISTING WOOD FLOORING IS TO BE REFINISHED WHERE NOTED WITH HISTORIC KEY NOTES ON THE PLANS. WHERE A TWO-HOUR FIRE-RATED CEILING IS REQUIRED, NEW HARDWOOD IS TO BE INSTALLED OVER HISTORIC WOOD FLOORING. U.L.O. TO PROVIDE TWO LAYERS OF WOOD. SEE FLOOR / CEILING ASSEMBLIES ON SHEET A0.3. NEW HARDWOOD IS TO MATCH THE INSTALLATION ORIENTATION OF THE HISTORIC WOOD FLOORING THROUGHOUT PROJECT (ASSUMED PERPENDICULAR TO FLOOR JOISTS). NEW HARDWOOD ADJACENT TO OR COVERING OVER PREVIOUSLY EXPOSED HISTORIC HARDWOOD MUST ALSO CLOSELY APPROXIMATE THE COLOR AND PLANK WIDTH OF THE HISTORIC WOOD FLOORING.

**BACKPLASH TILE IN KITCHENS TO BE SELECTED BY ARCHITECT. SEE TYPICAL KITCHEN INTERIOR ELEVATIONS FOR EXTENTS, SHOWER TILE IN RESIDENTIAL BATHROOMS TO BE SELECTED BY ARCHITECT. SEE TYPICAL BATHROOM INTERIOR ELEVATIONS FOR EXTENTS, CONTRACTOR IS TO COORDINATE TILE LAYOUT WITH POWER RECEPTACLES, LIGHT FIXTURES, AND PLUMBING FIXTURES AND SUBMIT PROPOSED JOINT LOCATIONS TO ARCHITECT FOR REVIEW.

**CLOSETS, WITH THE EXCEPTION OF LAUNDRY OR MECHANICAL, ARE TO MATCH FLOOR AND BASE OF ADJOINING ROOM.

NOT FOR CONSTRUCTION

CITY STUDIOS ARCHITECTURE
 1148 Main Street
 Cincinnati, OH 45202
 ph. 513.621.0750
 citystudiosarch.com

advantage STRUCTURAL ENGINEERS
 1527 Madison Road
 Cincinnati, OH 45206
 513.396.8900
 www.advantageSE.com

VIOX & VIOX
 Civil Engineers, Engineers and Landscape Architects
 900 Eastgate Drive, Suite 100
 Cincinnati, OH 45217
 513.574.0000

PE Services
 9 North Broadway
 Lebanon, OH 45046
 513.836.3810

RUSS ALLEY
 1623 - 1625 VINE STREET, 1624 REPUBLIC STREET
 (1625 VINE HPTC APPLICATION)
 CINCINNATI, OH 45202

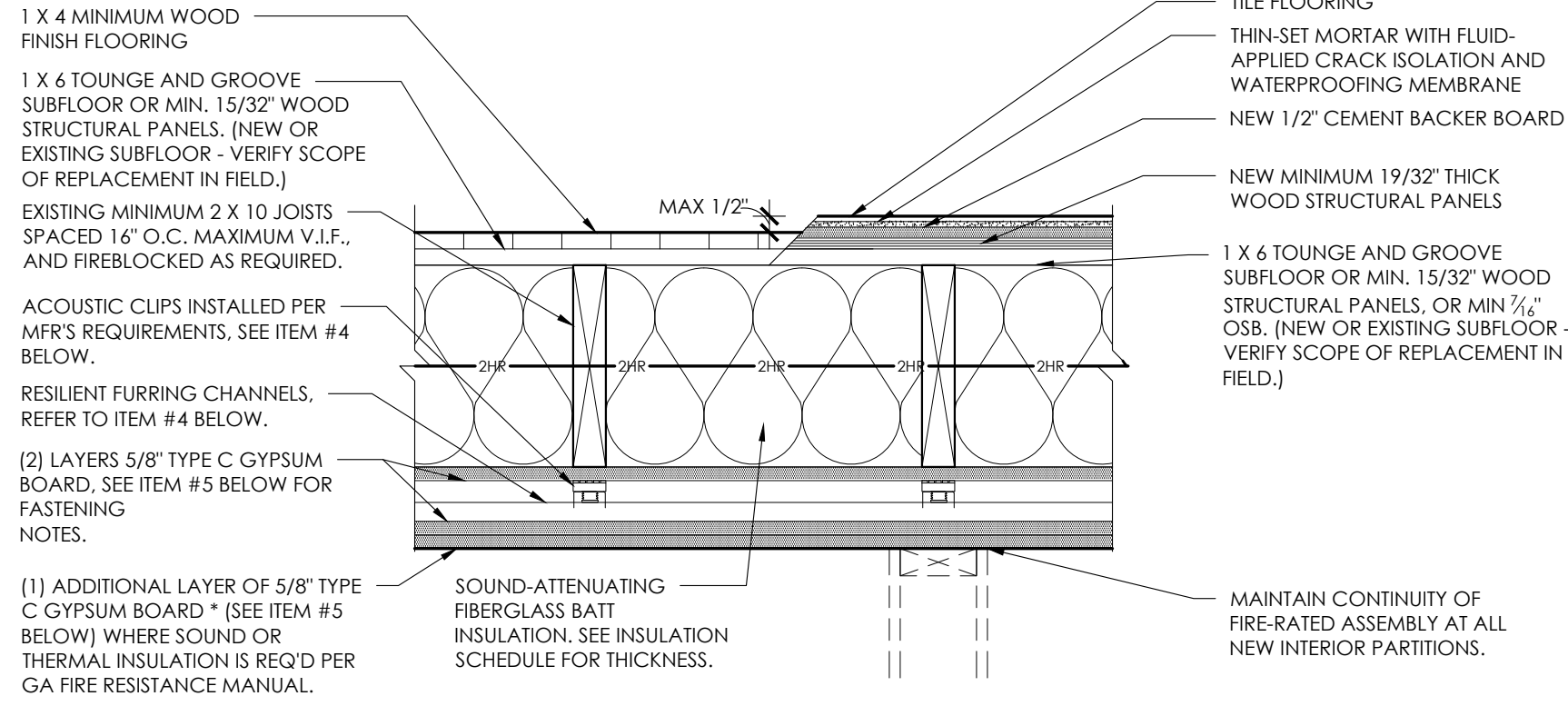
3CDC CINCINNATI CENTER CITY CENTER CITY CORPORATION

ISSUE LOG:
 06.02.2023
 ISSUE FOR PERMIT
 07.14.2023
 PERMIT REVISION 1
 09.21.2023
 OHFA PRELIM. SUBMISSION

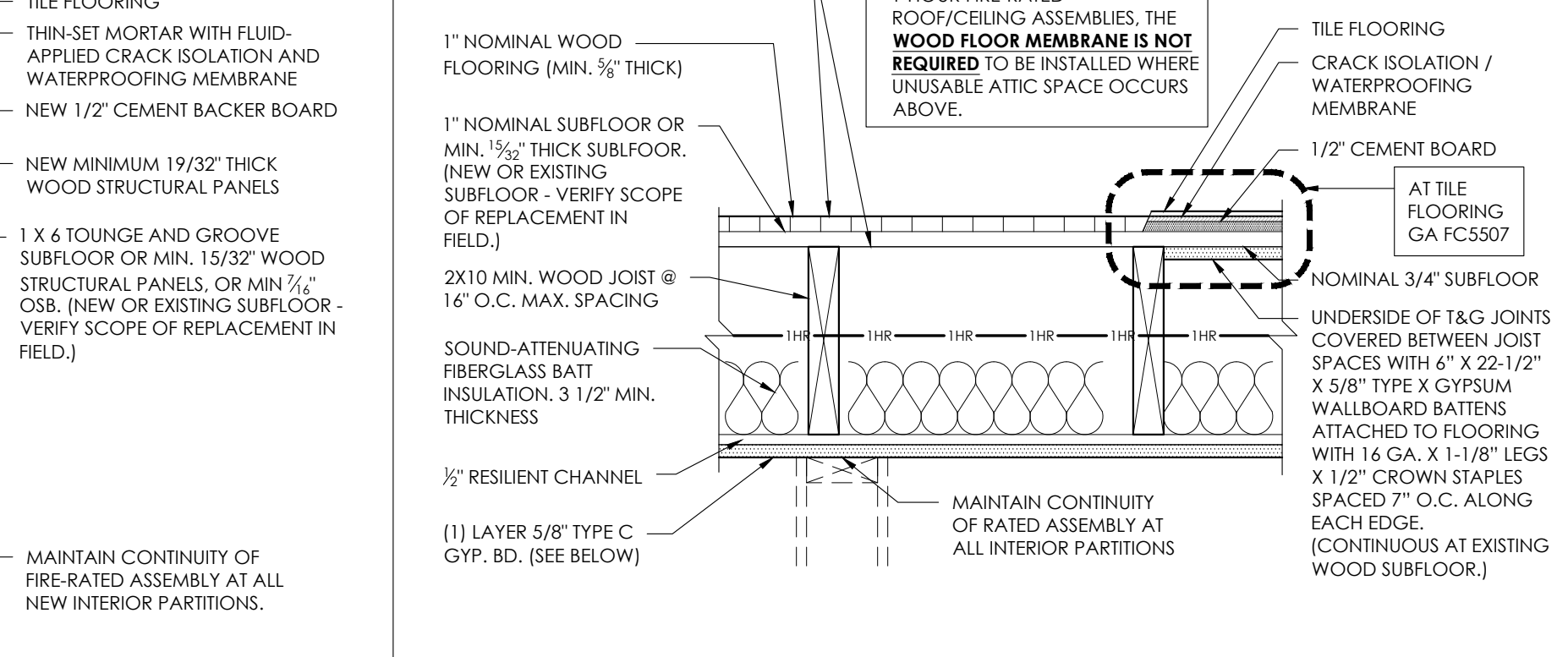
WALL TYPES, FINISH SCHEDULE, & MISC. SCHEDULES
A0.2
 PRELIMINARY: NOT FOR CONSTRUCTION

FIRE-RATED FLOOR/CEILING ASSEMBLIES

WHERE NEW WOOD FLOOR OCCURS:



WHERE NEW TILE OCCURS:



UL DESIGN NO. L505 (w/ PAC ACOUSTIC CLIPS)
2-HOUR FIRE-RATED FLOOR/CEILING ASSEMBLY

1 A0.3

UL DESIGN NO. L505

- Flooring System No. 1**—The flooring system shall consist of one of the following:
Subflooring—Min 1 by 6 in. T & G lumber fastened diagonally to joists, or min 1/32 in. thick wood structural panels or 7/16 in. thick oriented strand board (OSB) wood structural panels, min grade “C-D” or “Sheathing”. Face grain of plywood or strength axis of panels to be perpendicular to the joists with joints staggered.
Vapor Barrier—Nom 0.010 in. thick commercial resin-sized building paper.
Finish Flooring—Min 1 by 4 in. T & G lumber fastened perpendicular to joists, or min 1/32 in. wood structural panels, min grade “Underlayment” or “Single-Floor”. Face grain of plywood or strength axis of panels to be perpendicular to joists with joints staggered.
- Wood Joists**—Min 2 by 10, spaced 16 in., OC and effectively fireblocked in accordance with local codes.
- Cross Bridging**—Min 1 by 3 in., or min 2 by 10 solid blocking.
- Steel Framing Members**—As an alternate to Item 4, furring channels and Steel Framing Members* as described below:
a. **Furring Channels**—Furring channels, formed of No. 25 MSG galv steel, 2.9/16 in., or 2-23/32 in., deep, spaced 24 in., OC perpendicular to joists. Channels secured to joists as described in Item b. Ends of adjoining channels overlapped 6 in., and tied together with double strands of No. 18 SMS galv steel wire at each end of overlap.
b. **Steel Framing Members**—Used to attach furring channels (Item a) to joists (Item 2). **Clip spaced 48 in., OC, and secured to double strand** with No. 8 x 2-1/2 in. coarse drywall screw through the center grommet. Furring channels are friction fitted into clips. R3IC-1 clip for use with 2-9/16 in. wide furring channels. R3IC-1 (2-7/32) clip for use with 2-23/32 in. wide furring channels. Adjoining channels are overlapped as described in Item a. As an alternate, ends of adjoining channels may be overlapped 6 in., and secured together with two self-tapping #6 framing screws, min 7/16 in. long at the midpoint of the overlap, with one screw on each flange of the channel. Additional clips required to hold furring channel that supports the wallboard butt joints, as described in Item 5.
PAC INTERNATIONAL LLC—Types R3IC-1, R3IC-1 (2.78).
- Gypsum Board**—Two layers 5/8 in. thick gypsum board. When resilient channels (Item 4) are used, first layer installed with long dimension perpendicular to joists, and end joints of boards located at the joists. Nailed to joists with uncoated 8d box nails spaced 7 in., OC. All nails located 1/2 in. min. distance from the edges and ends of the board. Second layer installed with long dimension perpendicular to the resilient channels and center line of boards located under a joint and so placed that the edge joint of this layer is not in alignment with the end joint of the first layer. Secured to resilient channels with 1 in. long gypsum board screws 12 in., OC with additional screws 3 in. from side joints. End joints secured to both resilient channels as shown in end joint detail. All screws located 1 in. min. distance from edges of boards. If gypsum board is other than 48 in. wide, length of additional channel may be modified as required to allow full extension along joints, as well as attachment to joists at each end. Joint treatment not required for this rating, except for tapered, rounded-edge gypsum board where edges of boards are covered with paper tape and joint compound. As an alternate, nom 3/32 in. thick gypsum veneer plaster may be applied to the entire surface of classified veneer baseboard. Joints reinforced.
When Steel Framing Members (Items 4A or 4B) are used, sheets installed with long dimensions parallel with joists. Base layer attached to the furring channels using 1 in. long Type S bugle-head steel screws spaced 8 in., OC along buffed end joints and 12 in., OC in the field of the board. Buffed end joints shall be staggered min 2 ft. within the assembly, and occur midway between the continuous furring channels. Each end of each gypsum board shall be supported by a single length of furring channel equal to the width of the gypsum board plus 6 in., on each end. The two furring channels shall be spaced approximately 3-1/2 in., OC, and be attached to underside of the joist with one R3IC-1 or Genie clip at each end of the channel. Buffed base layer end joints to be offset a min of 24 in. in adjacent coats. Outer layer attached to the furring channels using 1-5/8 in. long Type S bugle-head steel screws spaced 8 in., OC at buffed joints and 12 in., OC in the field. Buffed end joints to be offset a min of 6 in. from base layer end joints. Buffed side joints of outer layer to be offset min 16 in. from buffed side joints of base layer.
PROPRIETARY GYPSUM BOARD:
AMERICAN GYPSUM CO.—Type AG-C
CERTAINTEED GYPSUM INC.—Type C, Type LGFC-C/A
GEORGIA-PACIFIC GYPSUM LLC—Types S, C, DPAC, GPF31, TG-C
NATIONAL GYPSUM CO.—Types FSK-C, FSW-C, FSW-G
PABCO BUILDING PRODUCTS LLC, DBA PABCO GYPSUM—Type C, PG-3 or PG-C
THAI GYPSUM PRODUCTS PCL—Type C
6. **Screw, Gypsum Board**—1 in. long, with 0.129 in. self-drilling and self-tapping shank, and Phillips-type 0.355 in. diam head. Screws shall be driven no farther than slightly indented (not deeper than 1/64 in.) into the exposed surface of the gypsum board.
7. **Finishing System (Not Shown)**—Vinyl, dry or pre-mixed joint compound, applied in two coats to joints and screw-heads. Nom 2 in. wide paper tape embedded in first layer of compound over all joints. As an alternate, nom 3/32 in. thick veneer plaster may be applied to the entire surface of gypsum board.
* Indicates such products shall bear the UL or cUL Certification Mark for jurisdictions employing the UL or cUL Certification (such as Canada), respectively.

GA FILE NO. FC 5506 (UL DESIGN L515)
1-HR FIRE-RATED FLOOR/CEILING ASSEMBLY

2 A0.3

GA FC 5506:

- ONE LAYER 5/8" PROPRIETARY TYPE X GYPSUM WALLBOARD OR GYPSUM VENEER BASE** APPLIED AT RIGHT ANGLES TO RESILIENT CHANNELS 12" O.C. WITH 1" TYPE S SCREWS 8" O.C. GYPSUM BOARD END JOINTS LOCATED MIDWAY BETWEEN CONTINUOUS CHANNELS AND ATTACHED TO ADDITIONAL PIECES OF CHANNEL 53" LONG WITH SCREWS 12" LONG, 0.113" SHANK, 1/2" HEAD AT EACH JOIST.
RESILIENT CHANNELS APPLIED AT RIGHT ANGLES TO 2 X 10 WOOD JOISTS 16" O.C. WITH 1-1/4" TYPE S SCREWS, 3-1/2" GLASS OR MINERAL FIBER INSULATION LOOSE Laid ON RESILIENT CHANNELS.
WOOD JOISTS SUPPORTING 1" T&G WOOD SUBFLOOR AND 1" WOOD FINISH FLOOR, OR 5/8" PLYWOOD FINISHED FLOOR WITH LONG EDGES T&G AND 1/32" INTERIOR PLYWOOD WITH EXTERIOR GLUE SUBFLOOR PERPENDICULAR TO JOISTS WITH JOINTS STAGGERED.
- PROPRIETARY GYPSUM BOARD CERTAINEED GYPSUM INC. - 5/8" CERTAINEED® TYPE C GYPSUM BOARD**
- UL DESIGN L515**
- Flooring System No. 1**—The flooring system shall consist of one of the following:
Subflooring—Min 1 by 6 in. T & G lumber fastened diagonally to joists, or min 1/32 in. thick wood structural panels, min grade “C-D” or “Sheathing”. Face grain of plywood or strength axis of panels to be perpendicular to the joists with joints staggered.
Vapor Barrier (Optional)—Nom 0.010 in. thick commercial resin-sized building paper.
Finish Flooring—Min 1 by 4 in. T & G lumber fastened perpendicular to joists, or min 1/32 in. thick wood structural panels, min grade “Underlayment” or “Single-Floor”. Face grain of plywood or strength axis of panels to be perpendicular to the joists with joints staggered.
- Wood Joists**—Min 2 by 10, spaced 16 in., OC and effectively fireblocked in accordance with local codes.
- Cross Bridging**—Min 1 by 4 in., or min 2 by 10 solid blocking.
- Ceiling Damper**—(Optional)—Max nom area shall be 198 sq in. Max rectangular size shall be 12 in. wide by 16-1/2 in. long. Max height of damper shall be 8-3/4 in. Aggregate damper openings shall not exceed 99 sq in. per 100 sq ft of ceiling area. Damper installed in accordance with the manufacturer's installation instructions provided with the damper. A steel grille (Item 8) shall be installed in accordance with installation instructions.
SEE UL ASSEMBLY FOR PROPRIETARY DAMPERS.
- Batts and Blankets**—For use with Steel Framing Members* (Items 6C and 4F) and Gypsum Board* (Items 7A and 7B). Any thickness mineral wool or glass fiber insulation bearing the UL Classification Marking for Surface Burning Characteristics, having a flame spread index of 25 or less and a smoke developed index of 50 or less. Insulation fitted in the concealed space, draped over the steel framing members/gypsum board ceiling membrane.
- Furring Channels**—Formed of 25 MSG galv steel as shown, 3 in. wide and 5/8 in. deep, spaced 24 in., OC perpendicular to joists. Channels overlapped at splice 2-1/2 in., and fastened to each joist by toe-nailing on both sides at an angle with two 1-1/2 in. long 4d nails. Additional furring channels positioned so as to coincide with end joints of gypsum board (Item 7). Additional channels shall extend min 2-1/2 in. beyond each side edge of board and with the channel not extending more than 2-1/2 in. beyond the last location at which the channel is nailed to the joists.
- Gypsum Board**—Nom 1/2 in. thick, 4 ft wide gypsum board. Gypsum board installed with long dimensions perpendicular to furring channels and the side edges of the board located between joists. Gypsum board fastened to furring channels with 1 in. long No. 6 Type S bugle head screws spaced 12 in., OC. End joints of gypsum board similarly fastened to additional furring channels positioned at end joint locations. Screws located 1 in. min. distance from side edges and 1/2 in. min. from buff ends of gypsum board sheets. Gypsum board on each side of the buff end joint attached to the 2-1/2 in. overlap of furring channel with one additional screw. Joints to be covered with paper tape and joint compound.
When Steel Framing Members* (Item 6A, 6B, 6C) are used, gypsum board installed with long dimension perpendicular to cross tees with side joints centered along main runners and end joints centered along cross tees. Gypsum board secured to cross tees with 1 in. long No. 6 Type S bugle head screws spaced 12 in., OC in the field and 8 in. OC along end joints. Gypsum board fastened to main runners with 1 in. long No. 6 Type S bugle head screws spaced midway between cross tees. Screws along sides and ends of boards spaced 5/8 in. to 1/2 in. from board edge. End joints of the sheets shall be staggered with spacing between joints on adjacent boards not less than 4 ft OC. Joints to be covered with paper tape and joint compound.
- PROPRIETARY GYPSUM BOARD:**
AMERICAN GYPSUM CO.—Type AG-C
CGC INC.—Types C, IP-X2, IPC-AR, WRC
CERTAINEED GYPSUM INC.—Type LGFC-C/A
GEORGIA-PACIFIC GYPSUM LLC—Type TG-C
NATIONAL GYPSUM CO.—Types eXP-C, FSK-1, FSK-G, FSW-1, FSW-G, FSK-C, FSW-C
UNITED STATES GYPSUM CO.—Types C, IP-X2, IPC-AR, WRC
USG ROVAL DRYWALL SZ2—Type C
USG MEXICO S A DE CV—Types C, IP-X2, IPC-AR, WRC
* Indicates such products shall bear the UL or cUL Certification Mark for jurisdictions employing the UL or cUL Certification (such as Canada), respectively.

GA FILE NO. FC 5724
2-HOUR FIRE-RATED FLOOR/CEILING ASSEMBLY

3 A0.3

GA FC 5724:

- BASE LAYER 5/8" PROPRIETARY TYPE X GYPSUM WALLBOARD OR GYPSUM VENEER BASE** APPLIED AT RIGHT ANGLES TO 2 X 10 WOOD JOISTS SPACED 16" O.C. WITH 8D NAILS, 2-1/2" LONG, 0.113" SHANK, 1/2" HEADS, SPACED 7" O.C.
RESILIENT FURRING CHANNELS SPACED 24" O.C. APPLIED AT RIGHT ANGLES TO JOISTS THROUGH BASE LAYER WITH ONE 8D NAIL 2 1/2" LONG, 0.113" SHANK, 1/2" HEAD AT EACH JOIST.
FACE LAYER 5/8" PROPRIETARY TYPE X GYPSUM WALLBOARD OR GYPSUM VENEER BASE APPLIED AT RIGHT ANGLES TO RESILIENT FURRING CHANNELS WITH 1" TYPE S DRYWALL SPACED 12" O.C. DOUBLE CHANNELS INSTALLED AT FACE LAYER END JOINTS.
WOOD JOISTS SUPPORTING 1" NOMINAL TONGUE & GROOVE WOOD SUBFLOOR AND 1" NOMINAL WOOD FINISH FLOOR OR 1/32" PLYWOOD FINISHED FLOOR WITH LONG EDGES TONGUE & GROOVE AND 1/32" INTERIOR PLYWOOD WITH EXTERIOR GLUE SUBFLOOR PERPENDICULAR TO JOISTS WITH JOINTS STAGGERED.
- PROPRIETARY GYPSUM BOARD CERTAINEED GYPSUM INC. 5/8" CERTAINEED® TYPE C GYPSUM BOARD**
CONTINENTAL BUILDING PRODUCTS OPERATING COMPANY, LLC 5/8" FIRECHECK® TYPE C
GEORGIA PACIFIC GYPSUM LLC 5/8" TOUGHROCK® FIREGUARD C® GYPSUM BOARD
NATIONAL GYPSUM COMPANY 5/8" GOLDBOND® BRAND FIRE-SHIELD™ GYPSUM BOARD
PABCO GYPSUM 5/8" FLAME CURB® SUPER C®
- UP TO 16 3/4" OF FIBERGLASS INSULATION MAY BE ADDED TO THE JOIST SPACE ABOVE THE GYPSUM BOARD PROVIDED THAT AN ADDITIONAL LAYER OF GYPSUM BOARD IS ADDED TO THE ASSEMBLY (OF THE SAME THICKNESS AND TYPE AS THE DESIGN). THE ADDITIONAL LAYER OF GYPSUM BOARD SHALL BE APPLIED AS DESCRIBED FOR THE FACE LAYER OF THE TESTED SYSTEM EXCEPT THAT THE FASTENER LENGTH SHALL BE INCREASED BY NOT LESS THAN THE THICKNESS OF THE ADDITIONAL LAYER OF GYPSUM BOARD.**
- PROPRIETARY GYPSUM BOARD CERTAINEED GYPSUM INC. 5/8" CERTAINEED® TYPE C GYPSUM BOARD**
CONTINENTAL BUILDING PRODUCTS OPERATING COMPANY, LLC 5/8" FIRECHECK® TYPE C
GEORGIA PACIFIC GYPSUM LLC 5/8" TOUGHROCK® FIREGUARD C® GYPSUM BOARD
NATIONAL GYPSUM COMPANY 5/8" GOLDBOND® BRAND FIRE-SHIELD™ GYPSUM BOARD
PABCO GYPSUM 5/8" FLAME CURB® SUPER C®
- BASE LAYER 5/8" TYPE X GYPSUM WALLBOARD** APPLIED AT RIGHT ANGLES TO 2 X 8 WOOD JOISTS 24" O.C. WITH 1-1/4" TYPE W SCREWS 12" O.C.
SECOND LAYER 5/8" TYPE X GYPSUM WALLBOARD APPLIED AT RIGHT ANGLES TO JOISTS WITH 2" TYPE W SCREWS 12" O.C.
THIRD LAYER 5/8" TYPE X GYPSUM WALLBOARD APPLIED AT RIGHT ANGLES TO JOISTS WITH 2-1/2" TYPE W SCREWS 12" O.C.
HAT-SHAPED 7/8" RIGID FURRING CHANNELS 24" O.C. APPLIED AT RIGHT ANGLES TO JOISTS WITH 2" TYPE W SCREWS 12" O.C. LAYER WITH TWO 2-1/2" LONG TYPE W SCREWS AT EACH JOIST.
FACE LAYER 5/8" TYPE X GYPSUM WALLBOARD APPLIED AT RIGHT ANGLES TO FURRING CHANNELS WITH 1-1/8" TYPE S SCREWS 12" O.C. **WOOD JOISTS** SUPPORTING 3/4" T&G EDGE PLYWOOD FLOOR APPLIED AT RIGHT ANGLES TO JOISTS WITH 8D NAILS 6" O.C. AT JOINTS AND 12" AT INTERMEDIATE JOISTS.
SECOND LAYER JOINTS OFFSET 24" FROM BASE LAYER JOINTS; THIRD LAYER JOINTS OFFSET 12" FROM SECOND LAYER JOINTS.

GA FILE NO. FC 5420
1-HR FIRE-RATED FLOOR/CEILING ASSEMBLY

4 A0.3

GA FC 5420:

- ONE LAYER 5/8" TYPE X GYPSUM WALLBOARD OR GYPSUM VENEER BASE** APPLIED AT RIGHT ANGLES TO 2X10 WOOD JOISTS 16" O.C. WITH 8D COATED NAILS, 1 7/8" LONG 0.091" SHANK, 1/4" HEADS, 6" O.C.
WOOD JOISTS SUPPORTING 1" WOOD SUBFLOOR AND 1" WOOD FINISH FLOOR, OR 1/32" PLYWOOD FINISHED FLOOR WITH LONG EDGES T&G AND 1/32" INTERIOR PLYWOOD WITH EXTERIOR GLUE SUBFLOOR PERPENDICULAR TO JOISTS WITH JOINTS STAGGERED.
- PROPRIETARY GYPSUM BOARD CERTAINEED GYPSUM INC. 5/8" CERTAINEED® TYPE C GYPSUM BOARD**
CONTINENTAL BUILDING PRODUCTS OPERATING COMPANY, LLC 5/8" FIRECHECK® TYPE C
GEORGIA PACIFIC GYPSUM LLC 5/8" TOUGHROCK® FIREGUARD C® GYPSUM BOARD
NATIONAL GYPSUM COMPANY 5/8" GOLDBOND® BRAND FIRE-SHIELD™ GYPSUM BOARD
PABCO GYPSUM 5/8" FLAME CURB® SUPER C®
- *UP TO 16 3/4" OF FIBERGLASS INSULATION MAY BE ADDED TO THE JOIST SPACE ABOVE THE GYPSUM BOARD PROVIDED THAT AN ADDITIONAL LAYER OF GYPSUM BOARD IS ADDED TO THE ASSEMBLY (OF THE SAME THICKNESS AND TYPE AS THE DESIGN). THE ADDITIONAL LAYER OF GYPSUM BOARD SHALL BE APPLIED AS DESCRIBED FOR THE FACE LAYER OF THE TESTED SYSTEM EXCEPT THAT THE FASTENER LENGTH SHALL BE INCREASED BY NOT LESS THAN THE THICKNESS OF THE ADDITIONAL LAYER OF GYPSUM BOARD.**
- BASE LAYER 5/8" TYPE X GYPSUM WALLBOARD** APPLIED AT RIGHT ANGLES TO 2 X 10 WOOD JOISTS 24" O.C. WITH 1-1/4" TYPE W OR S SCREWS 24" O.C.
FACE LAYER 5/8" TYPE X GYPSUM WALLBOARD OR GYPSUM VENEER BASE APPLIED AT RIGHT ANGLES TO JOISTS WITH 1-7/8" TYPE W OR S SCREWS 12" O.C. AT JOINTS AND INTERMEDIATE JOISTS AND 1-1/2" TYPE G SCREWS 12" O.C. PLACED 2" BACK ON EITHER SIDE OF END JOINTS.
WOOD JOISTS SUPPORTING 1/2" PLYWOOD WITH EXTERIOR GLUE APPLIED AT RIGHT ANGLES TO JOISTS WITH 8D NAILS. JOINTS OFFSET 24" FROM BASE LAYER JOINTS.
***UP TO 16 3/4" OF FIBERGLASS INSULATION MAY BE ADDED TO THE JOIST SPACE ABOVE THE GYPSUM BOARD PROVIDED THAT AN ADDITIONAL LAYER OF GYPSUM BOARD IS ADDED TO THE ASSEMBLY (OF THE SAME THICKNESS AND TYPE AS THE DESIGN). THE ADDITIONAL LAYER OF GYPSUM BOARD SHALL BE APPLIED AS DESCRIBED FOR THE FACE LAYER OF THE TESTED SYSTEM EXCEPT THAT THE FASTENER LENGTH SHALL BE INCREASED BY NOT LESS THAN THE THICKNESS OF THE ADDITIONAL LAYER OF GYPSUM BOARD.**

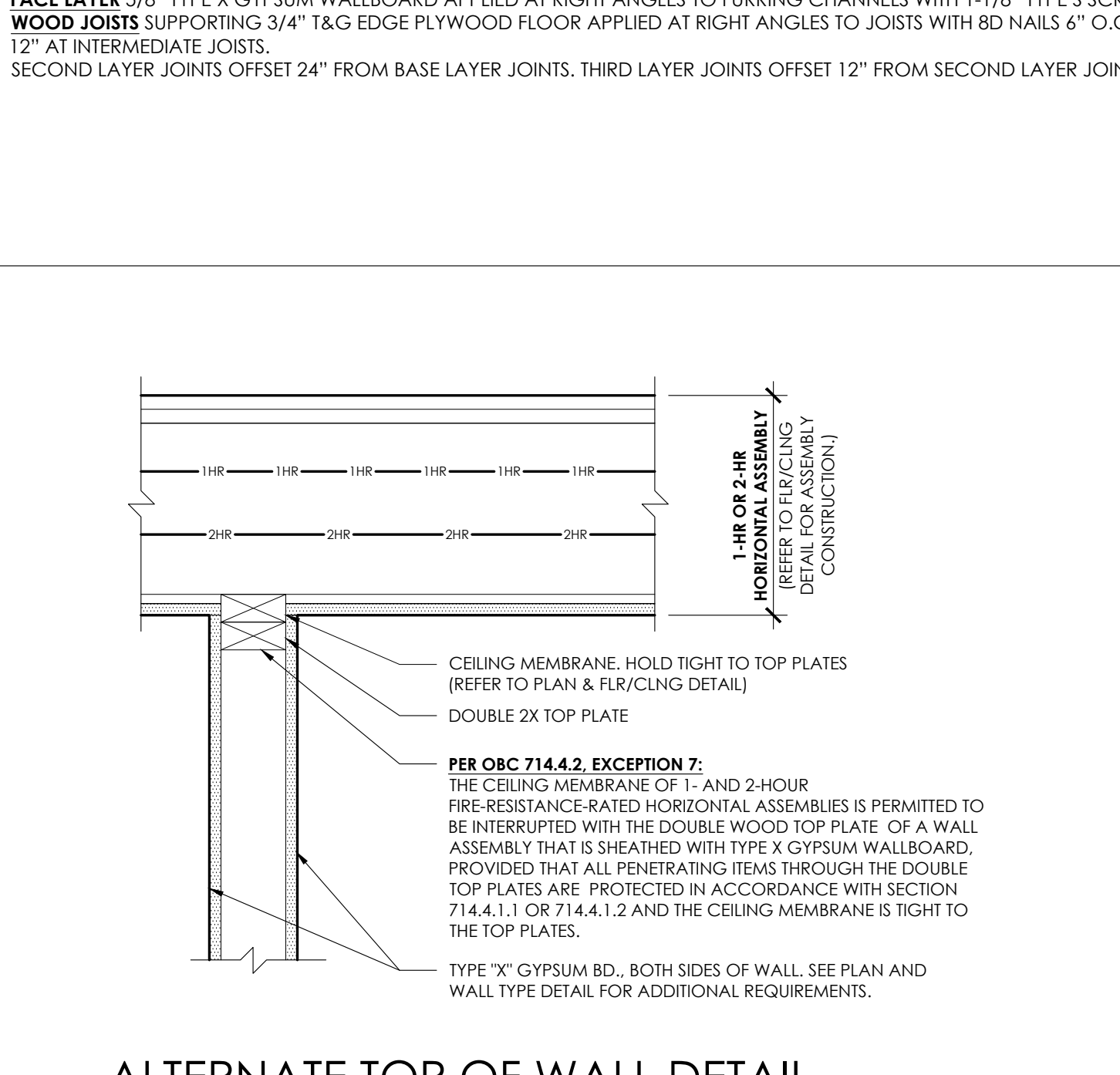


8 A0.3

DUCT ROUTING IN FIRE-RATED FLR./CLNG

GA FILE NO. 5725
2-HR FIRE-RATED FLOOR/CEILING ASSEMBLY

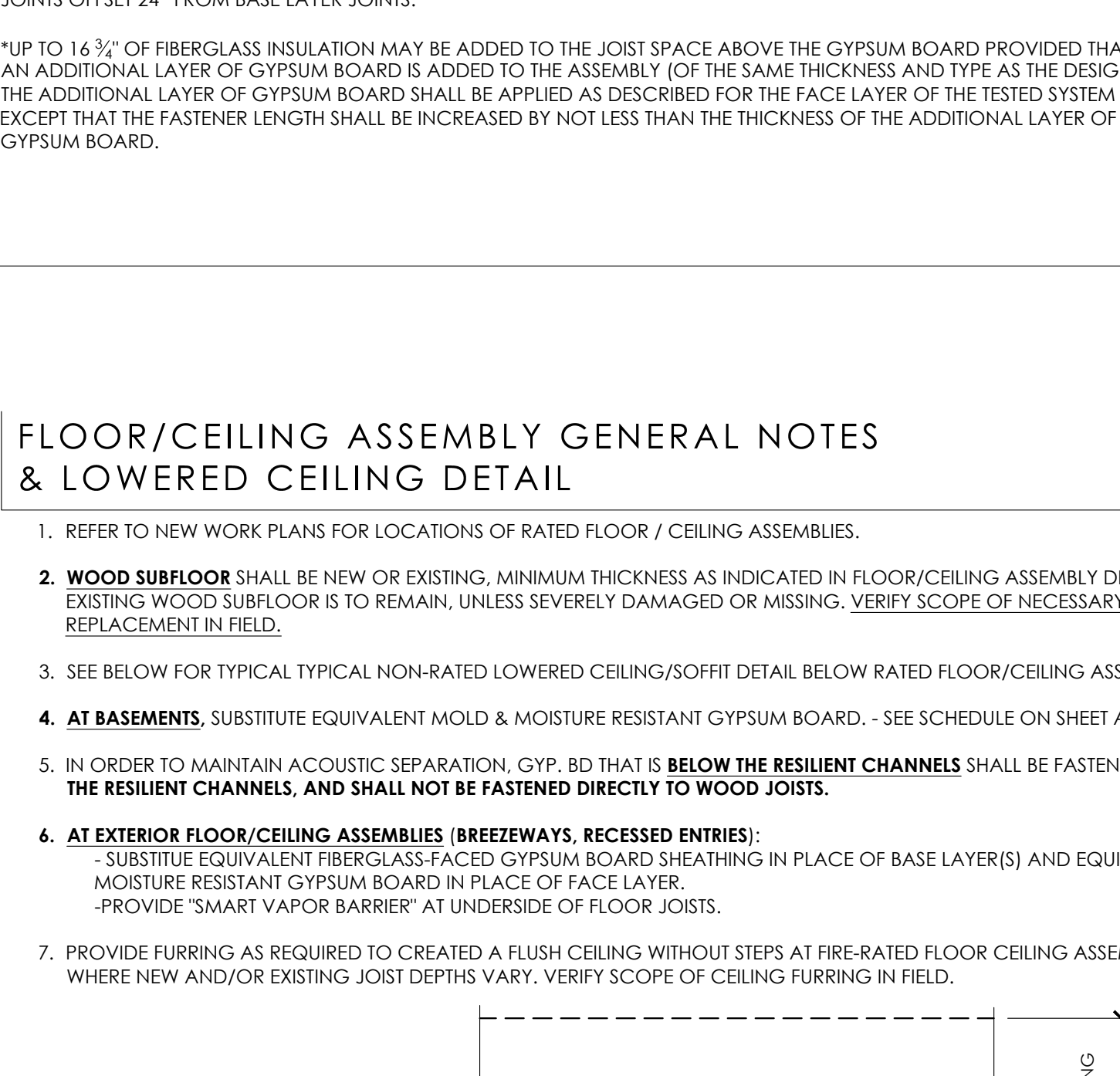
5 A0.3



ALTERNATE TOP OF WALL DETAIL @ INTERSECTION OF EXISTING WALL AND NEW 1-HR OR 2-HR HORIZONTAL ASSEMBLY

GA FILE NO. FC 5529
1-HR FIRE RATED FLR/CLG ASSEMBLY

6 A0.3



FLOOR/CEILING ASSEMBLY GENERAL NOTES & LOWERED CEILING DETAIL

- REFER TO NEW WORK PLANS FOR LOCATIONS OF RATED FLOOR / CEILING ASSEMBLIES.
- WOOD SUBFLOOR** SHALL BE NEW OR EXISTING, MINIMUM THICKNESS AS INDICATED IN FLOOR/CEILING ASSEMBLY DETAIL. EXISTING WOOD SUBFLOOR IS TO REMAIN, UNLESS SEVERELY DAMAGED OR MISSING. VERIFY SCOPE OF NECESSARY SUBFLOOR REPLACEMENT IN FIELD.
- SEE BELOW FOR TYPICAL TYPICAL NON-RATED LOWERED CEILING/SOFFIT DETAIL BELOW RATED FLOOR/CEILING ASSEMBLIES.
- AT BASEMENTS,** SUBSTITUTE EQUIVALENT MOLD & MOISTURE RESISTANT GYPSUM BOARD, - SEE SCHEDULE ON SHEET A0.2.
- IN ORDER TO MAINTAIN ACOUSTIC SEPARATION,** GYP. BD THAT IS **BELOW THE RESILIENT CHANNELS** SHALL BE FASTENED **ONLY TO THE RESILIENT CHANNELS, AND SHALL NOT BE FASTENED DIRECTLY TO WOOD JOISTS.**
- AT EXTERIOR FLOOR/CEILING ASSEMBLIES (BREEZEWAYS, RECESSED ENTRIES):**
- SUBSTITUTE EQUIVALENT FIBERGLASS-FACED GYPSUM BOARD SHEATHING IN PLACE OF BASE LAYER(S) AND EQUIVALENT MOISTURE RESISTANT GYPSUM BOARD IN PLACE OF FACE LAYER.
- PROVIDE "SMART VAPOR BARRIER" AT UNDERSIDE OF FLOOR JOISTS.
- PROVIDE FURRING AS REQUIRED TO CREATED A FLUSH CEILING WITHOUT STEPS AT FIRE-RATED FLOOR/CEILING ASSEMBLIES WHERE NEW AND/OR EXISTING JOIST DEPTHS VARY, VERIFY SCOPE OF CEILING FURRING IN FIELD.

FLOOR / CEILING ASSEMBLIES

NOT FOR CONSTRUCTION
CITYSTUDIOS ARCHITECTURE
1148 Main Street
Cincinnati, OH 45202
ph. 513.621.0750
citystudiosarch.com

adVantage STRUCTURAL ENGINEERS
1527 Madison Road
Cincinnati, OH 45206
513.396.8900
www.advantageee.com

VIOX&VIOX
CIVIL ENGINEERING, ARCHITECTURE AND CONSTRUCTION PROJECT MANAGEMENT
3000 Riverchase Lane, Suite 100
Cincinnati, OH 45231
www.viox.com

PE Service
1355 E. Hill Ave., Suite 100
Lebanon, OH 45046
513-836-3810

RUSS ALLEY
1623 - 1625 VINE STREET, 1624 REPUBLIC STREET
(1625 VINE HPTC APPLICATION)
CINCINNATI, OH 45202

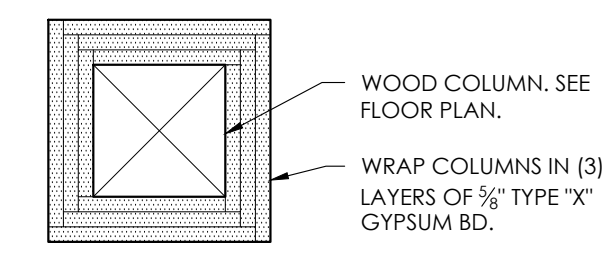
3CDC CINCINNATI CENTER CITY DEVELOPMENT CORPORATION

ISSUE LOG:
06.02.2023
ISSUE FOR PERMIT
07.14.2023
PERMIT REVISION 1
09.21.2023
OHFA PRELIM. SUBMISSION

SOFFIT / LOWERED GYP. BD. CEILING DETAIL

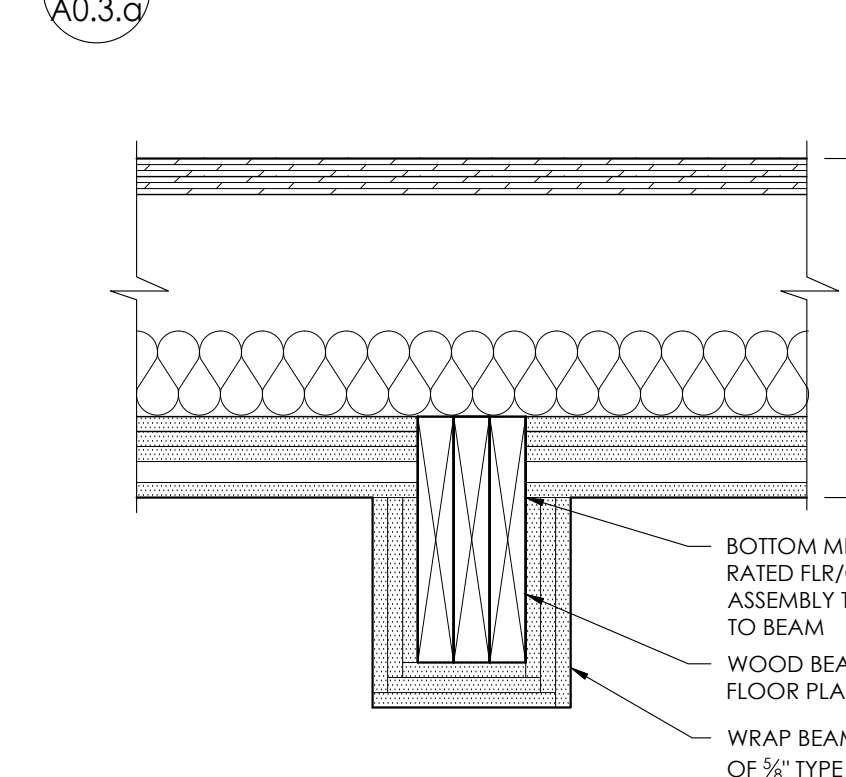
FLOOR / CEILING ASSEMBLIES
A0.3
PRELIMINARY:
NOT FOR CONSTRUCTION

FIRE-RATED WOOD COLUMNS AND BEAMS



PER OBC TABLE 722.6.2(1):
(3) LAYERS OF 5/8" TYPE "X" GYP. BD. = 3 X 40 MIN. = 120 MINUTES

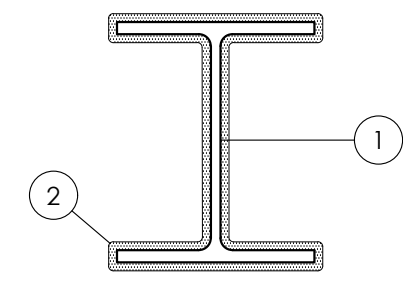
2-HR FIRE-RATED WOOD COLUMN



PER OBC TABLE 722.6.2(1):
(3) LAYERS OF 5/8" TYPE "X" GYP. BD. = 3 X 40 MIN. = 120 MINUTES

2-HR FIRE-RATED WOOD BEAM

FIRE-RATED STEEL BEAMS



NOTE:
A. THICKNESS OF INTUMESCENT COATING VARIES DEPENDING ON STEEL SIZE AND SHAPE. REFER TO ISOLATE'S THICKNESS CHARTS.
B. REFER TO ISOLATE'S INSTRUCTIONS FOR PREPARATION OF SURFACE OF EXISTING STRUCTURAL STEEL TO RECEIVE INTUMESCENT COATINGS.

2-HOUR FIRE-RATED STEEL BEAM
UL DESIGN NO. X649

1. **Steel Column (TO BE USED FOR STEEL BEAM RATING)** — Wide flange steel columns with the minimum sizes shown in the tables below. Columns shall be free of dirt, loose scale and oil. Columns shall be primed with a phenolic modified alkyd resin primer, a metal alkyd primer, an acrylic primer or an epoxy primer of a nominal thickness of 2 mil.

2. **Mastic and Intumescent Coatings*** — Coating spray, brush or trowel applied directly from containers to desired thickness. See tables below for appropriate final dry thickness and applicable rating. (See UL assembly for acceptable manufacturers.)

Steel Size	W/D	Min. Thickness, in.	1 Hr	1-1/2 Hr	2 Hr Min	3 Hr Min	4 Hr Min
W8 x 10	0.33	0.145	0.266	NR	NR	NR	NR
W12 x 14	0.36	0.133	0.263	NR	NR	NR	NR
W12 x 16	0.41	0.117	0.230	NR	NR	NR	NR
W8 x 12	0.44	0.109	0.215	0.338	NR	NR	NR
W8 x 15	0.48	0.100	0.197	0.310	NR	NR	NR
W10 x 22	0.52	0.092	0.182	0.286	NR	NR	NR
W4 x 13	0.55	0.087	0.172	0.271	NR	NR	NR
W4 x 16	0.58	0.083	0.163	0.257	0.504	NR	NR
W8 x 24	0.59	0.075	0.130	0.213	0.504	NR	NR
W14 x 34	0.63	0.075	0.130	0.213	0.453	NR	NR
W8 x 28	0.68	0.070	0.130	0.213	0.453	NR	NR
W8 x 35	0.74	0.065	0.128	0.201	0.416	NR	NR
W10 x 39	0.78	0.061	0.121	0.191	0.395	NR	NR
W10 x 49	0.84	0.057	0.113	0.177	0.367	NR	NR
W10 x 65	0.89	0.054	0.106	0.167	0.346	NR	NR
W16 x 57	0.95	0.050	0.099	0.157	0.324	NR	NR
W8 x 48	1.00	0.048	0.095	0.149	0.308	NR	NR
W14 x 90	1.07	0.045	0.088	0.139	0.288	NR	NR
W10 x 68	1.14	0.042	0.083	0.131	0.270	NR	NR
W16 x 97	1.21	0.040	0.078	0.123	0.255	NR	NR
W10 x 77	1.28	0.038	0.074	0.116	0.241	NR	NR
W16 x 100	1.36	0.036	0.069	0.109	0.227	NR	NR
W10 x 88	1.45	0.034	0.065	0.103	0.213	NR	NR
W14 x 132	1.54	0.032	0.061	0.097	0.200	NR	NR
W12 x 120	1.64	0.030	0.058	0.091	0.188	NR	NR
W8 x 23	1.72	0.028	0.056	0.088	0.188	0.423	NR
W14 x 159	1.77	0.028	0.056	0.085	0.187	0.423	NR
W14 x 176	1.95	0.025	0.051	0.077	0.178	0.384	NR
W14 x 193	2.12	0.023	0.047	0.071	0.164	0.353	NR
W14 x 211	2.30	0.023	0.043	0.066	0.151	0.326	NR
W14 x 233	2.52	0.023	0.040	0.060	0.138	0.297	NR
W14 x 257	2.75	0.023	0.036	0.055	0.126	0.272	NR
W14 x 288	3.00	0.023	0.033	0.050	0.116	0.194	NR
NR = No Rating							

As an alternate to the above table, the required thickness of coating (in inches) to be applied to all surfaces of wide flange steel columns for 2 hour ratings, in the W/D range of 0.44 to 1.64, may be determined from the following equation:

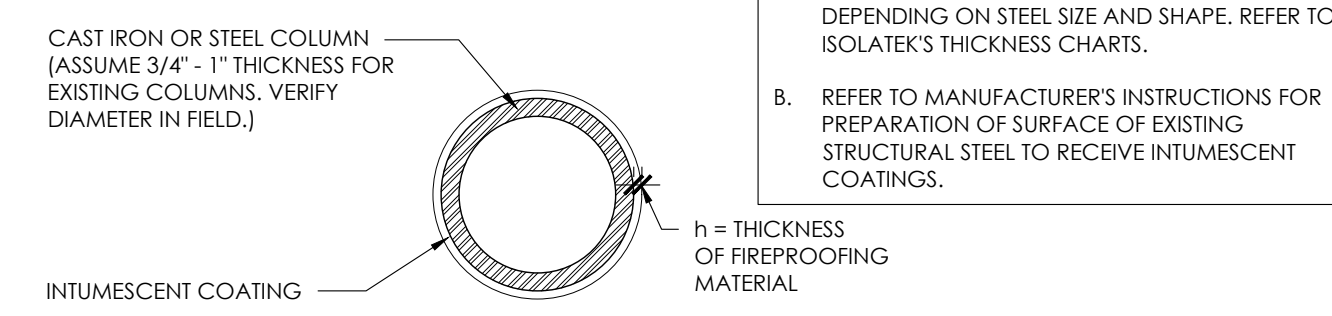
$$T = 0.1489/(W/D)$$

Where T = Thickness of coating in the range of 0.091 to 0.338 in., W = Weight of steel column in pounds per linear foot, D = Heated perimeter of steel column section in inches.

3. **Top Coat** — Type SprayFilm — TOPSEAL and Type TOPSEAL required for Exterior Use, applied at a minimum dry thickness of 14 mils (0.34 mm) over the intumescent material.
See Classification Information in the Mastic and Intumescent Coating (CDW2) category, Isolok International, for mixing requirements.

* Indicates such products shall bear the UL or cUL Certification Mark for jurisdictions employing the UL or cUL Certification (such as Canada), respectively.

FIRE-RATED STEEL COLUMNS



NOTE:
A. THICKNESS OF INTUMESCENT COATING VARIES DEPENDING ON STEEL SIZE AND SHAPE. REFER TO ISOLATE'S THICKNESS CHARTS.
B. REFER TO MANUFACTURER'S INSTRUCTIONS FOR PREPARATION OF SURFACE OF EXISTING STRUCTURAL STEEL TO RECEIVE INTUMESCENT COATINGS.

2-HR FIRE-RATED COLUMN
UL DESIGN NO. X631

1. **STEEL COLUMN** — STEEL PIPE COLUMNS WITH THE MINIMUM SIZES SHOWN IN THE TABLES BELOW. COLUMNS SHALL BE FREE OF DIRT, LOOSE SCALE AND OIL. COLUMN SHALL BE PRIMED WITH 0.003 IN. DRY FILM THICKNESS OF MODIFIED ALKYD, EPOXY, ORGANIC ZINC OR INORGANIC ZINC BASED PRIMER.

2. **MASTIC AND INTUMESCENT COATING** — COATING SPRAY, BRUSH OR TROWEL APPLIED DIRECTLY FROM CONTAINERS TO DESIRED THICKNESS. SEE TABLE BELOW FOR APPROPRIATE FINAL DRY THICKNESS.

SIZE	2 HR
SP 2.5 X 0.552	0.45 0.340
SP 3 X 0.6	0.50 0.340
SP 4 X 0.674	0.57 0.340
SP 5 X 0.75	0.65 0.340
SP 6 X 0.864	0.57 0.340
SP 8 X 0.5	0.47 0.340
SP 8 X 0.875	0.75 0.340
SP 12 X 0.5	0.48 0.340

CARBOLINE CO — TYPE NULLIFIRE 660S. INVESTIGATED FOR INTERIOR GENERAL PURPOSE AND EXTERIOR USE. (SEE ITEM 3)

3. **TOPCOAT** — FOR INTERIOR GENERAL PURPOSE TYPE IS 615 TOP-COAT APPLIED OVER THE BASE COAT AT 0.003 IN. THICKNESS.

APPROVED ALTERNATIVE ENGINEERED DESIGN
(FIRE ESCAPE WATER CURTAINS)

June 05, 2023

City Studios Architecture
Attn: Peter Torasson
1148 Main Street
Cincinnati, OH 45202

RE: Alternative Engineering Design request for 1625 Vine Street, APD #2023P04664

Dear Mr. Torasson,

This letter is in response to your request for consideration under the 2017 Ohio Building Code (OBC) Section 106.5, Alternative Engineering Design, for the alterations and change of use to the building located at 1625 Vine Street.

In your request dated May 30, 2023, you asked for consideration for not requiring opening protectives to be installed in window openings along the fire escape as required by OBC Section 3406.5. In lieu of providing opening protectives, it is proposed to extend the sprinkler system such that each of the 27 windows along the fire escape is provided with a water curtain.

The mitigating factors that are associated with this request are:

- This building is designated as historic.
- The building will be fully suppressed.
- There will be no exposed plastic sprinkler piping.
- Sprinkler contractor will submit documentation that the water curtain will provide 100% coverage to the window.
- Smoke detectors will be placed in each room with a water curtain and will be hardwired and interconnected to other smoke detectors in the dwelling.

Based on the factors listed above, we accept the proposed Alternative Engineering Design as equivalent to the code requirements in the OBC for opening protectives along fire escapes.

Feel free to contact this office with any questions concerning the approval of your Alternative Engineering Design. I can be reached at 513-352-2424.

Sincerely,
Art Dahlberg
Art Dahlberg, CBO
Director of Buildings and Inspections

attachments: Alternative Engineering Design Proposal dated 5/30/2023.

cc: Robert Martin, Division Manager, Building Plans Examination
Chief Kenneth Caldwell, Cincinnati Fire Department
Gregory Phelia Jr., District Chief, Fire Prevention/Risk Reduction

Permit Center • 805 Central Avenue, Suite 500 • Cincinnati, Ohio 45202
P 513-352-3271 • F 513-352-2878 • www.cincinnati-oh.gov

May 30, 2023

Art Dahlberg
Director, Buildings & Inspections
City of Cincinnati
Department of City Planning and Buildings
Division of Buildings and Inspections
805 Central Ave., Suite 500
Cincinnati, Ohio 45202

Re: **Alternative Engineered Design**
1625 Vine St., Cincinnati

Mr. Dahlberg,

The purpose of this letter is to request approval of an Alternative Engineered Design for the above referenced project, for water curtains at window openings along the existing fire escape in lieu of opening protectives required by OBC Section 3406.5.

The project is the renovation of the existing historic building at 1625 Vine St. in Cincinnati, Ohio. The building is 5 stories in height, Type III construction classification, and has an area of 4,190 SF per floor. The building will have S-1 use in basement, commercial and residential use on 1st floor (A-2/R-2) and residential use on floors 2-4 (R-2). The 5th floor is an unoccupied attic. As part of the renovation new windows will be installed including along the existing fire escapes.

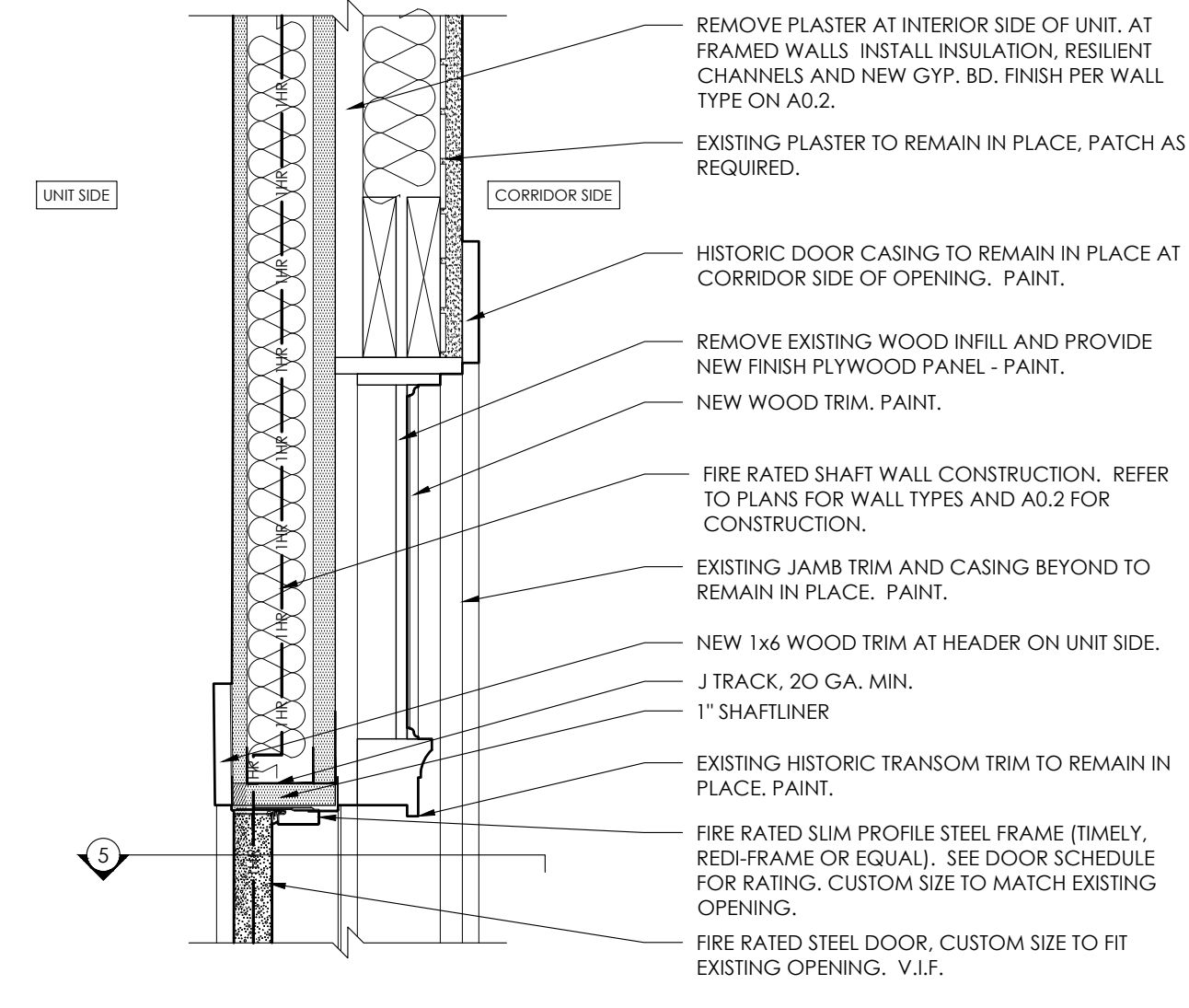
This letter is to request approval of an Alternative Engineered Design (OBC Section 106.5) to provide water curtains of the (27) window openings along the fire escape on floors 1-4 in lieu 3/4 hour opening protectives required by OBC 3406.5.

- Water curtains are to be installed at the interior of each window along the existing fire escape to protect the opening.
- Sprinkler contractor shall submit documentation demonstrating 100% coverage of the opening to the Department of Buildings and Inspections.
- Smoke detectors shall be installed in each room in which a water curtain is to protect window opening. Such smoke detectors shall be hardwired and interconnected to the other smoke detectors in the same dwelling unit.
- Plastic piping shall not be exposed.

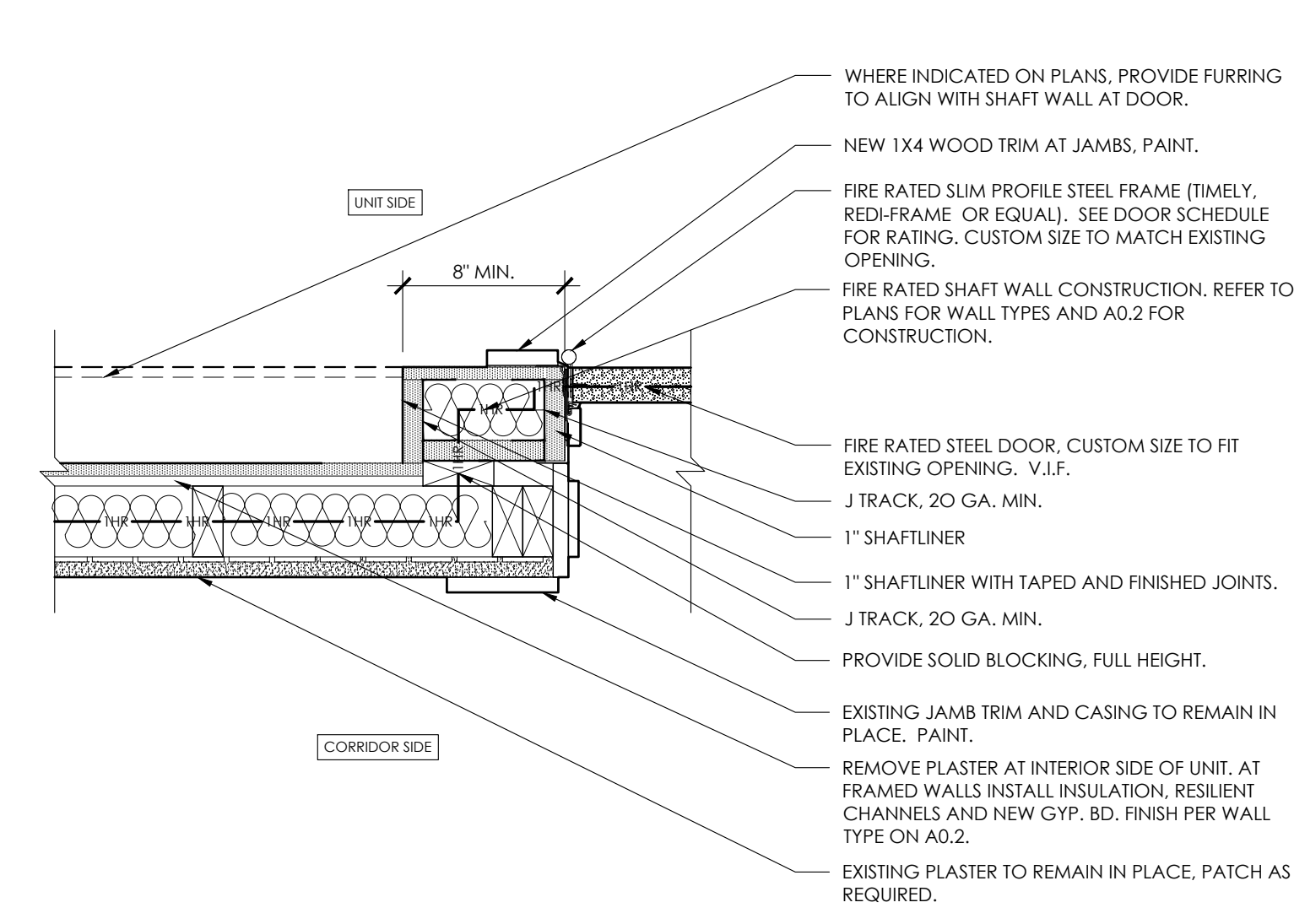
Sincerely,

Peter Torasson
CITY STUDIOS ARCHITECTURE

1148 Main Street Cincinnati, Ohio 45202 ph: 513.621.0750



SECTION THRU TRANSOM AND DOOR HEAD
1 1/2" = 1'-0"



SECTION THRU DOOR JAMB
1 1/2" = 1'-0"

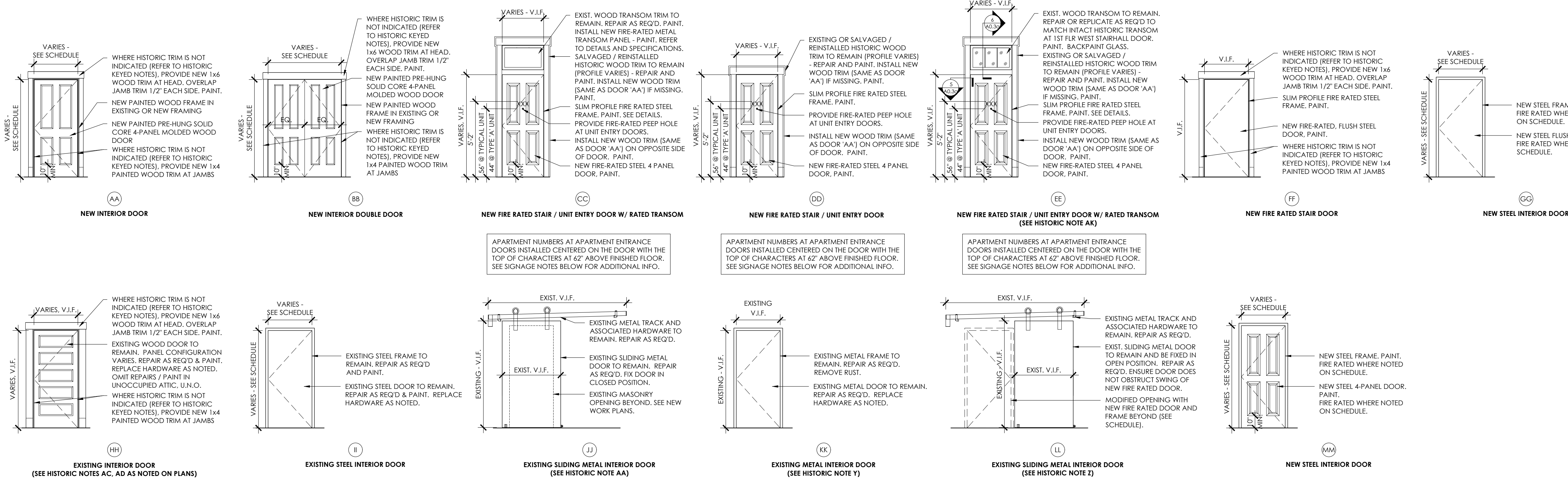
6
A0.3a

5
A0.3a

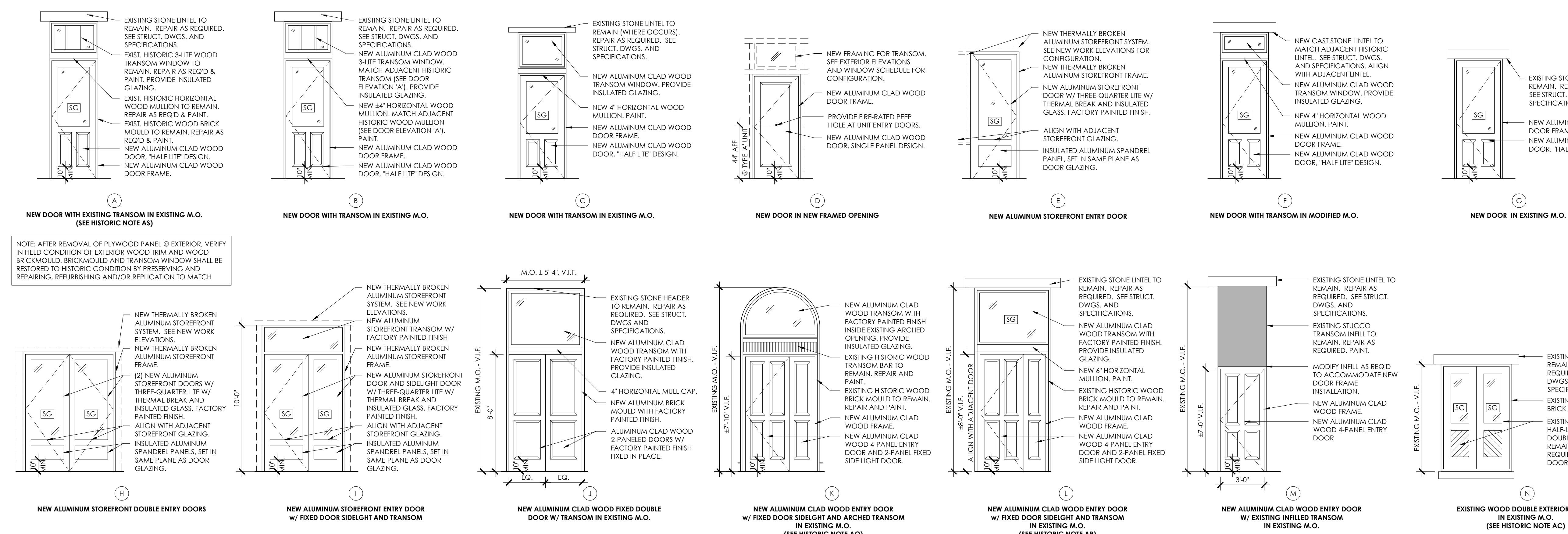
4
A0.3a

2
A0.3a

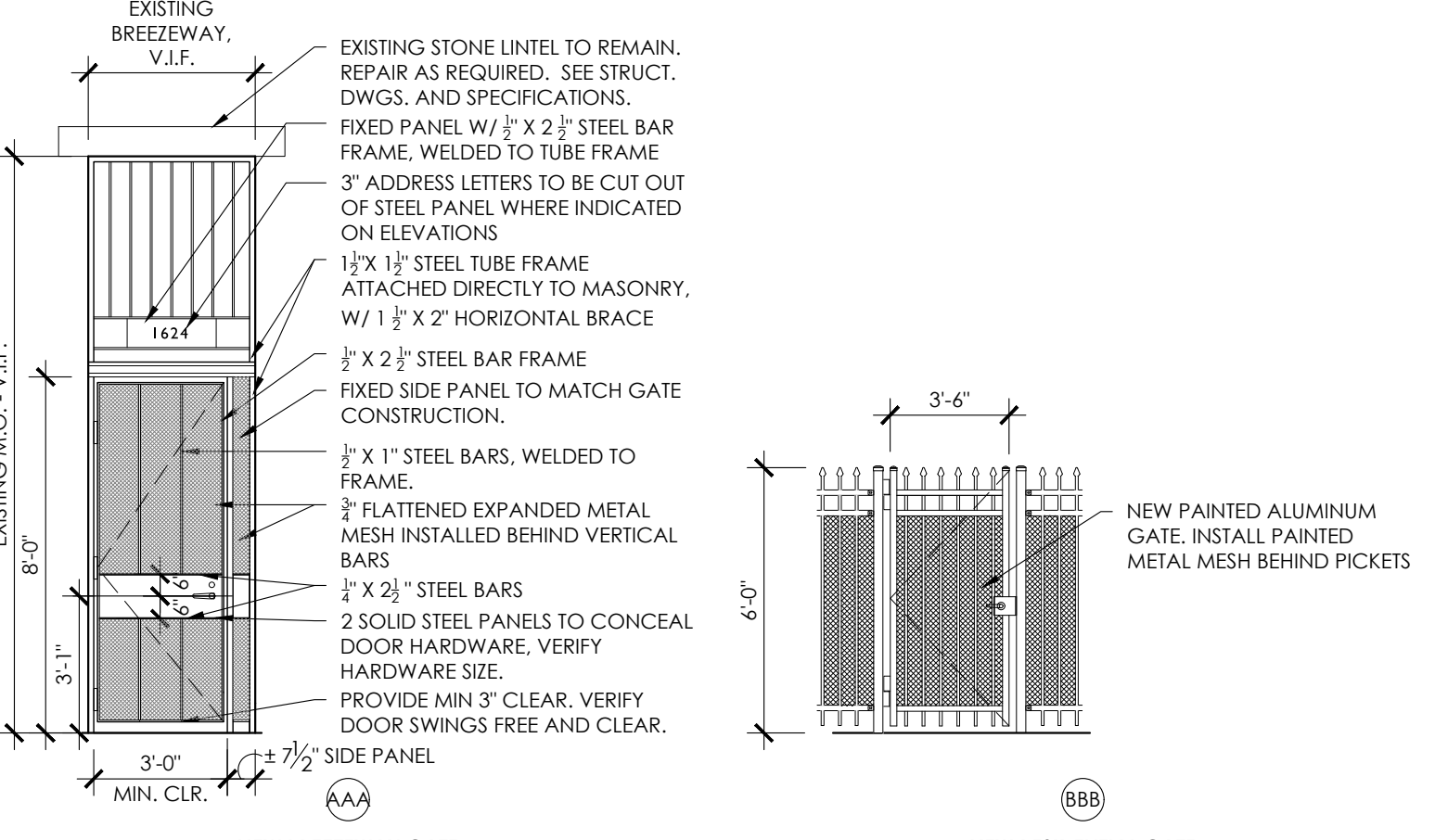
INTERIOR DOOR TYPES



EXTERIOR DOOR TYPES



GATE TYPES



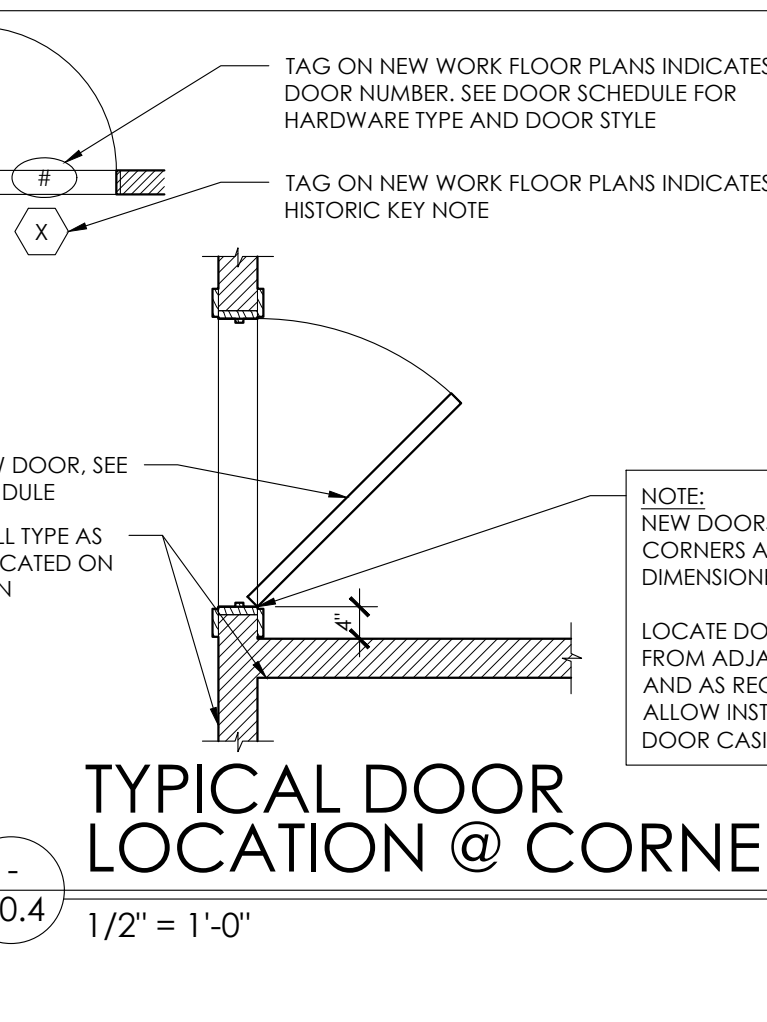
INTERIOR / EXTERIOR SIGNAGE NOTES

1. PROVIDE 4" TALL APPLIED VINYL STREET NUMBERS CENTERED VERTICALLY AND HORIZONTALLY IN TRANSOMS ABOVE COMMERCIAL AND RESIDENTIAL EXTERIOR DOORS.
2. PROVIDE 4" TALL POWDER COATED CUT-OUT METAL STREET NUMBERS CENTERED ON DOOR #109 (1625 VINE DOOR SCHEDULE) WITH THE TOP OF CHARACTERS AT 42" ABOVE GRADE. SEE NEW WORK ELEVATIONS. COLOR AND TYPEFACE TO BE SELECTED BY ARCHITECT. ENSURE NUMBERS ARE SUITABLE FOR EXTERIOR APPLICATIONS.
3. PROVIDE 4" TALL POWDER COATED CUT-OUT METAL APARTMENT NUMBERS ON THE LATCH SIDE OF DOOR #108 (1625 VINE DOOR SCHEDULE) CENTERED BELOW THE LIGHT FIXTURE WITH THE TOP OF CHARACTERS AT 42" ABOVE GRADE. SEE NEW WORK ELEVATIONS. COLOR AND TYPEFACE TO BE SELECTED BY ARCHITECT. ENSURE NUMBERS ARE SUITABLE FOR EXTERIOR APPLICATIONS.
4. PROVIDE 4" TALL POWDER COATED CUT-OUT METAL APARTMENT NUMBERS AT APARTMENT ENTRANCE DOORS. COLOR AND TYPEFACE TO BE SELECTED BY ARCHITECT. APARTMENT NUMBERS SHALL BE INSTALLED CENTERED ON THE DOOR WITH THE TOP OF CHARACTERS AT 42" ABOVE FINISHED FLOOR.
5. PROVIDE 1" TALL APPLIED VINYL LETTERING AT INTERIOR SIDE OF STOREFRONT DOORS, COORDINATE DOOR LOCATION WITH HARDWARE SUBMITTAL. SIGNS READ: THIS DOOR TO REMAIN UNLOCKED WHEN BUSINESS IS OCCUPIED.
6. PROVIDE STAIR IDENTIFICATION SIGNS PER 1023.9 OBC AT EACH EXTERIOR EXIT STAIR LANDING. MINIMUM SIZE SHALL BE 18" TALL X 12" WIDE. SIGNS SHALL IDENTIFY THE FLOOR LEVEL IN MINIMUM 5" TALL LETTERING AND SHALL IDENTIFY THE TOP AND BOTTOM FLOOR LEVELS CONNECTED. THE FLOOR LEVEL OF EXIT DISCHARGE, THE DIRECTION TO THE FLOOR LEVEL OF EXIT DISCHARGE, AND AVAILABILITY OF ROOF ACCESS IN MINIMUM 1" TALL LETTERING. STAIR IDENTIFICATION SIGNS TO BE INSTALLED IN CONSPICUOUS LOCATIONS (E.G. FULLY VISIBLE WHEN DOORS ARE IN THE OPEN POSITION) WITH TOP AT 40" ABOVE FINISHED FLOOR. PROVIDE DETAILED SHOP DRAWINGS TO ARCHITECT FOR REVIEW PRIOR TO FABRICATION AND COORDINATE INSTALLATION LOCATIONS WITH ARCHITECT IN THE FIELD.
7. PROVIDE ANSI A117.1 COMPLIANT RESTROOM IDENTIFICATION SIGNS WITH THE UNIVERSAL ACCESSIBILITY PICTOGRAM BASED CHARACTERS, AND BRaille AT EACH COMMERCIAL RESTROOM DOOR. RESTROOM IDENTIFICATION SIGNS SHALL BE INSTALLED ON THE LATCH SIDE OF EACH RESTROOM DOOR WITH THE TOP OF SIGN AT 40" ABOVE FINISHED FLOOR.
8. PROVIDE APPLIED NO SMOKING PICTOGRAM AT EACH COMMERCIAL AND RESIDENTIAL EXTERIOR DOOR. COORDINATE LOCATIONS WITH ARCHITECT.

DOOR SCHEDULE GENERAL NOTES

1. ALL EGRESS DOORS ARE TO HAVE HARDWARE COMPLYING WITH SECTION 1010.1 P OBC. DOORS PROVIDING EGRESS SHALL BE OPERABLE FROM THE SIDE FROM WHICH RELEASE IS TO BE MADE WITHOUT USE OF A KEY OR SPECIAL KNOWLEDGE.
2. PROVIDE LEVER DOOR HARDWARE ON ALL SWING DOORS THROUGHOUT PROJECT.
3. ALL DOOR THRESHOLDS TO BE ADA/ANSI 117.1 COMPLIANT. INTERIOR DOOR THRESHOLDS TO BE MAXIMUM 1/4" REVEILED OR FLUSH PER OSHA UNIVERSAL DESIGN REQUIREMENTS.
4. EXTERIOR DOOR THRESHOLDS TO BE THERMALLY BROKEN.
5. VERIFY IN FIELD ALL EXISTING DOOR OPENING SIZES PRIOR TO ORDERING DOORS. ALL EXISTING OPENINGS MUST BE ADJUSTED TO BE UNIQUE.
6. GENERAL CONTRACTOR SHALL VERIFY ALL DOOR KETING WITH OWNER PRIOR TO ORDERING HARDWARE.
7. **DOOR UNDERCUTS** ARE TO BE COORDINATED W/ MECHANICAL ENGINEER RETURN AIR REQUIREMENTS PRIOR ORDERING DOORS. REFER TO MECHANICAL DRAWINGS FOR DOOR UNDERCUT LOCATIONS.
8. PAINTED FINISHES AND PRE-FINISHED COLORS TO BE SELECTED BY ARCHITECT.
9. WHERE ELECTRONIC ACCESS CONTROL IS INDICATED, PROVIDE ELECTRIC STRIKE OR ELECTRIC LOCKS OPERATED BY KEY FOB. PROVIDE POWER TO REMOVE DOOR RELEASE. COORD. WITH ELECTRICAL DRAWINGS.
10. PROVIDE SAFETY GLAZING IN ALL DOORS CONTAINING GLASS, AND AS REQUIRED BY OBC SECTION 2406.4. AND WHERE INDICATED ON ELEVATIONS WITH SYMBOL BELOW.
- [SG] = SAFETY GLAZING
11. PROVIDE DOOR STOPS AT ALL INTERIOR DWELLING UNIT DOORS.
12. PROVIDE THRESHOLDS AT ALL BATHROOM DOORS.
13. PROVIDE THRESHOLDS AT ALL 90MIN FIRE RATED INTERIOR DOORS AT LOCATIONS WITH CONTINUOUS HARDWOOD FLOORING.
14. PROVIDE FIRE RATED PEEP HOLE AT UNIT ENTRY DOORS. MOUNT PEEP HOLE AT 44" AT TYPE 'A' ANS UNIT ENTRY DOOR AND AT 56" AT ALL OTHER UNIT ENTRY DOORS.
15. PROVIDE FIRE RATED SLIM PROFILE STEEL FRAME AT INTERIOR DOORS TO RECEIVE WOOD TRIM.

DOOR GRAPHIC KEY



DOOR SCHEDULE (1625 VINE)

DOOR NO.	LOCATION	HARDWARE SET	DOOR		FRAME MATERIAL	FIRE RATING	DOOR STYLE	EXISTING OR NEW DOOR	NOTES
			SIZE	MATERIAL					
TYPICAL UNIT DOORS:									
1	BEDROOM	b	3'-0" X 6'-8"	SOLID CORE	WOOD	-	AA	NEW	NEW DOOR IN NEW FRAMED OPENING
2	BEDROOM	b	12'-6" X 16'-8" V.I.F.	SOLID CORE	WOOD	-	AA	NEW	NEW DOOR IN EXISTING FRAMED OPENING
3	BEDROOM	b	12'-6" X 16'-8" V.I.F.	SOLID CORE	WOOD	-	AA	NEW	NEW DOOR IN EXISTING FRAMED OPENING
4	BATHROOM	b	3'-0" X 6'-8"	SOLID CORE	WOOD	-	AA	NEW	NEW DOOR IN NEW FRAMED OPENING
5	BATHROOM	b	12'-4" X 16'-8" V.I.F.	SOLID CORE	WOOD	-	AA	NEW	NEW DOOR IN EXISTING FRAMED OPENING
6	BATHROOM	b	12'-4" X 16'-8" V.I.F.	SOLID CORE	WOOD	-	AA	NEW	NEW DOOR IN EXISTING FRAMED OPENING
7	BATHROOM	b	12'-8" X 16'-8" V.I.F.	SOLID CORE	WOOD	-	AA	NEW	NEW DOOR IN EXISTING FRAMED OPENING
8	SINGLE CLOSET	c	3'-0" X 6'-8"	SOLID CORE	WOOD	-	AA	NEW	NEW DOOR IN NEW FRAMED OPENING
9	SINGLE CLOSET	c	2'-4" X 6'-8"	SOLID CORE	WOOD	-	AA	NEW	NEW DOOR IN NEW FRAMED OPENING
10	SINGLE CLOSET	c	12'-4" X 16'-8" V.I.F.	SOLID CORE	WOOD	-	AA	NEW	NEW DOOR IN MODIFIED FRAMED OPENING
11	SINGLE CLOSET	c	12'-6" X 16'-8" V.I.F.	SOLID CORE	WOOD	-	AA	NEW	NEW DOOR IN MODIFIED FRAMED OPENING
12	SINGLE CLOSET	c	12'-4" X 16'-8" V.I.F.	SOLID CORE	WOOD	-	AA	NEW	NEW DOOR IN EXISTING FRAMED OPENING
13	SINGLE CLOSET	c	12'-4" X 16'-8" V.I.F.	SOLID CORE	WOOD	-	AA	NEW	NEW DOOR IN EXISTING FRAMED OPENING
14	SINGLE CLOSET	c	12'-6" X 16'-8" V.I.F.	SOLID CORE	WOOD	-	AA	NEW	NEW DOOR IN EXISTING FRAMED OPENING
15	SINGLE CLOSET	c	2'-8" X 6'-8"	SOLID CORE	WOOD	-	AA	NEW	NEW DOOR IN NEW FRAMED OPENING
16	PAIRED CLOSET	d	2'-0" X 6'-8"	SOLID CORE	WOOD	-	BB	NEW	NEW DOOR IN NEW FRAMED OPENING
17	PAIRED CLOSET	d	(2) 2'-4" X 6'-8"	SOLID CORE	WOOD	-	BB	NEW	NEW DOOR IN NEW FRAMED OPENING
18	PAIRED CLOSET	d	(2) 2'-4" X 6'-8"	SOLID CORE	WOOD	-	BB	NEW	NEW DOOR IN NEW FRAMED OPENING
19	PAIRED CLOSET	d	(2) 12'-0" X 16'-8" V.I.F.	SOLID CORE	WOOD	-	BB	NEW	NEW DOOR IN MODIFIED FRAMED OPENING
20	MECHANICAL CLOSET	o	12'-4" X 16'-8" V.I.F.	SOLID CORE	WOOD	-	AA	NEW	NEW DOOR IN NEW FRAMED OPENING. KEYED LANDLORD ACCESS ONLY.
21	MECHANICAL CLOSET	o	12'-4" X 16'-8" V.I.F.	SOLID CORE	WOOD	-	AA	NEW	NEW DOOR IN EXISTING FRAMED OPENING. KEYED LANDLORD ACCESS ONLY.
22	MECHANICAL CLOSET	o	12'-4" X 16'-8" V.I.F.	SOLID CORE	WOOD	-	AA	NEW	NEW DOOR IN EXISTING FRAMED OPENING. KEYED LANDLORD ACCESS ONLY.
23	MECHANICAL CLOSET	o	12'-4" X 16'-8" V.I.F.	SOLID CORE	WOOD	-	AA	NEW	NEW DOOR IN EXISTING FRAMED OPENING. KEYED LANDLORD ACCESS ONLY.
24	UNIT ENTRY	e	EXISTING V.I.F.	STEEL	STEEL	90 MIN.	DD	NEW	NEW FIRE RATED DOOR IN EXISTING OPENING.
25	UNIT ENTRY	e	EXISTING V.I.F.	STEEL	STEEL	90 MIN.	CC	NEW	NEW FIRE RATED DOOR IN EXISTING OPENING WITH EXISTING TRANSOM. PROVIDE NEW FIRE RATED METAL TRANSOM PANEL.
26	UNIT ENTRY	e	3'-0" X 6'-8"	STEEL	STEEL	20 MIN.	DD	NEW	NEW FIRE RATED DOOR IN NEW FRAMED OPENING.
27	SECONDARY UNIT ENTRY AT STAIR	e	EXISTING V.I.F.	STEEL	STEEL	90 MIN.	CC	NEW	NEW FIRE RATED DOOR IN EXISTING OPENING WITH EXISTING TRANSOM. PROVIDE NEW FIRE RATED METAL TRANSOM PANEL. OMIT UNIT NUMBER (SECONDARY ENTRANCE).
OTHER INTERIOR DOORS:									
801	STAR 'B' BASEMENT	g	3'-0" X 6'-8"	STEEL	STEEL	60 MIN.	GG	NEW	NEW FIRE RATED DOOR IN NEW FRAMED OPENING.
802	STAR 'B' BASEMENT	h	3'-0" X 6'-8"	STEEL	STEEL	60 MIN.	GG	NEW	NEW FIRE RATED DOOR IN NEW FRAMED OPENING.
101	STAR 'A' ACCESS	g	3'-0" X 6'-8"	STEEL	STEEL	-	DD	NEW	NEW DOOR IN NEW FRAMED OPENING.
102	COMMERCIAL RESTROOM	b	3'-0" X 6'-8"	SOLID CORE	WOOD	-	AA	NEW	NEW DOOR IN NEW FRAMED OPENING.
103	COMMERCIAL RESTROOM	b	3'-0" X 6'-8"	SOLID CORE	WOOD	-	AA	NEW	NEW DOOR IN NEW FRAMED OPENING.
104	STAR 'B' ACCESS	h	3'-0" X 6'-8"	STEEL	STEEL	90 MIN.	MM	NEW	NEW FIRE RATED DOOR IN NEW MASONRY OPENING.
105	ACCESSIBLE RESIDENTIAL ENTRY	h	13'-0" X 16'-8" V.I.F.	STEEL	STEEL	90 MIN.	MM	NEW	NEW FIRE RATED DOOR IN EXISTING MASONRY OPENING.
501	STAR 'D' ATTIC	f	13'-0" X 16'-8" V.I.F.	STEEL	STEEL	-	II	EXIST.	EXISTING DOOR IN EXISTING FRAMED OPENING. NEW HARDWARE.
502	STAR 'D' ATTIC	g	12'-4" X 16'-8" V.I.F.	STEEL	STEEL	90 MIN.	FF	NEW	NEW FIRE RATED DOOR IN EXISTING OPENING.
503	STAR 'D' ATTIC	g	12'-6" X 16'-8" V.I.F.	STEEL	STEEL	90 MIN.	FF	NEW	NEW FIRE RATED DOOR IN EXISTING OPENING.
EXTERIOR DOORS:									
106	RESIDENTIAL ENTRY AT BREEZEWAY	k	13'-0" X 17'-0" V.I.F.	ALUMINUM CLAD WOOD	ALUMINUM CLAD WOOD	-	M	NEW	NEW DOOR AND FRAME WITH EXISTING TRANSOM INFILL IN EXISTING M.O.
107	COMMERCIAL ENTRY AT VINE	j	3'-0" X 8'-0" 12'-4" X 16'-8" V.I.F.	ALUMINUM / GLASS	ALUMINUM / GLASS	-	I	NEW	NEW STOREFRONT ENTRY DOOR WITH FIXED NON-OPERABLE SIDE LIGHT DOOR AND TRANSOM. PROVIDE MAX. SLOT FOR COMMERCIAL TRAM.
108	COMMERCIAL ENTRY	j	3'-0" X 16'-0" 11'-4" SIDELIGHT DOOR - V.I.F.	ALUMINUM CLAD WOOD	ALUMINUM CLAD WOOD	-	L	NEW	NEW ENTRY DOOR WITH FIXED NON-OPERABLE SIDE LIGHT DOOR AND TRANSOM IN EXISTING M.O.
109	COMMERCIAL ENTRY	k	3'-0" X 17'-10" 11'-4" SIDELIGHT DOOR - V.I.F.	ALUMINUM CLAD WOOD	ALUMINUM CLAD WOOD	-	K	NEW	NEW ENTRY DOOR WITH FIXED NON-OPERABLE SIDE LIGHT DOOR AND ARCHED TRANSOM IN EXISTING M.O.
110	FIXED DOUBLE DOORS AT REPUBLIC	-	(2) 12'-4" X 16'-8" V.I.F.	ALUMINUM CLAD WOOD	ALUMINUM CLAD WOOD	-	J	NEW	NEW FIXED DOUBLE DOORS AND FRAME W/ TRANSOM IN EXISTING M.O.
111	GATE AT BREEZEWAY	p	13'-2" X 8'-0" V.I.F.	STEEL	STEEL	-	AAA	NEW	NEW CUSTOM AUTOMATIC GATE TO FIT EXISTING BREEZEWAY OPENING. SEE ELEVATION FOR SPECIFIC CONFIGURATION.
112	RESIDENTIAL GATE - REPUBLIC	o	3'-6" X 6'-0"	ALUMINUM	ALUMINUM	-	BBB	NEW	CUSTOM GATE IN NEW ALUMINUM PRIVACY FENCE
113	RESIDENTIAL GATE - VINE	n	3'-6" X 6'-0"	ALUMINUM	ALUMINUM	-	BBB	NEW	CUSTOM GATE IN NEW ALUMINUM PRIVACY FENCE

*NOTE: TYPICAL DWELLING UNIT DOORS ARE NOT INDIVIDUALLY SCHEDULED (MULTIPLE INSTANCES OF EACH DOOR CODE OCCURS). REFER TO NEW WORK PLANS.

HARDWARE SCHEDULE

HARDWARE TYPE	TYPICAL LOCATION	LOCK STYLE	DESCRIPTION/FUNCTION:
o	DWELLING UNIT MECH. CLOSET DOOR	STOREROOM	LEVER HANDLE. KEYED ENTRY. FREE EGRESS. CLOSER WHERE LOCATED ON FIRE-RATED DOORS. LANDLORD ACCESS ONLY.
b	BEDROOM DOOR / RESIDENTIAL AND COMMERCIAL BATHROOM	PRIVACY	LEVER HANDLE WITH LATCH. PRIVACY PUSH BUTTON. PROVIDE CLOSER AT COMMERCIAL RESTROOM.
c	CLOSET DOOR	PASSAGE	LEVER HANDLE WITH LATCH. NO LOCK.
d	INTERIOR DOUBLE CLOSET DOORS	DUMMYP	LEVER HANDLE WITHOUT MECHANISM. PROVIDE BALL CATCH.
e	DWELLING UNIT ENTRY	PASSAGE W/ DEADBOLT	THUMBTURN ON UNIT INTERIOR. LEVER HANDLE AND PEEP HOLE. FREE EGRESS FROM UNIT SIDE. CLOSER. NOTE: LEVER OVERIDES THUMBTURN LOCK.
f	UNOCCUPIED ATTIC ACCESS	STOREROOM	LEVER HANDLE. KEYED ENTRY. FREE EGRESS. CLOSER WHERE LOCATED ON FIRE-RATED DOORS. LANDLORD ACCESS ONLY.
g	BASEMENT / UTILITY CLOSET DOOR	STOREROOM	ALWAYS UNLOCKED FROM STORAGE SIDE (IN DIRECTION OF EGRESS). LOCKABLE FROM OUTSIDE OF STORAGE AREA. PROVIDE CLOSER AT EXTERIOR DOORS AND RATED INTERIOR DOORS. LEVER HANDLE.
h	INTERIOR DOOR	PASSAGE	LEVER HANDLE WITH LATCH. NO LOCK. FREE EGRESS. PROVIDE CLOSER AT EXTERIOR DOORS AND RATED INTERIOR DOORS.
i	COMMERCIAL ENTRY	COMMERCIAL ENTRY	KEYED LEVER. CLOSER. FREE EGRESS.
j	COMMERCIAL ENTRY W/ PANIC	COMMERCIAL ENTRY	KEYED LEVER. PANIC HARDWARE. CLOSER. FREE EGRESS. WHERE APPLICABLE, THE 'SIDELIGHT' DOOR IS NON-OPERABLE - NO HINGERS, LEVERS, LOCK, OR CLOSER.
k	RESIDENTIAL MAIN ENTRY	STOREROOM	KEYED LEVER. ELECTRIC LOCK (FAIL SAFE) TIE TO INTERCOM W/ WALL-MOUNTED FOB READER. FREE EGRESS. CLOSER.
l	DWELLING UNIT ENTRY (EXTERIOR)	PASSAGE W/ DEADBOLT	THUMBTURN ON UNIT INTERIOR. LEVER HANDLE. FREE EGRESS FROM UNIT SIDE. CLOSER.
m	RESIDENTIAL SECONDARY ENTRY	STOREROOM	KEYED LEVER. ELECTRIC LOCK (FAIL SAFE) W/ WALL-MOUNTED FOB READER. FREE EGRESS. CLOSER.
n	RESIDENTIAL GATE	STOREROOM	KEYED LEVER. FREE EGRESS. CLOSER. ELECTRIC LOCK (FAIL SAFE) TIE TO INTERCOM W/ GATE-MOUNTED FOB READER.
o	RESIDENTIAL GATE	STOREROOM	KEYED LEVER. FREE EGRESS. CLOSER. ELECTRIC LOCK (FAIL SAFE) W/ GATE-MOUNTED FOB READER.
p	AUTOMATIC RESIDENTIAL GATE	STOREROOM	KEYED LEVER. FREE EGRESS. CLOSER. ELECTRIC LOCK (FAIL SAFE) TIE TO INTERCOM W/ GATE-MOUNTED FOB READER. PROVIDE DOOR ACTUATOR. SEE ELEVATIONS FOR ACTUATOR BUTTON LOCATIONS.
q	NOT USED		
r	COMMERCIAL DOOR	STOREROOM	KEYED LEVER BOTH SIDES. CLOSER.
s	INTERIOR DOOR W/ PANIC	PASSAGE	LEVER HANDLE WITH LATCH. NO LOCK. FREE EGRESS. CLOSER. PANIC HARDWARE.

NOT FOR CONSTRUCTION

CITYSTUDIOS
ARCHITECTURE
1148 Main Street
Cincinnati, OH 45202
ph. 513.621.0750
citystudiosarch.com

advantage
STRUCTURAL ENGINEERS
1527 Madison Road
Cincinnati, OH 45206
513.396.8900
www.advantageSE.com

VIO&VIOX
Civil Engineers, Surveyors and Landscape Architects
2511 North Dixie Highway
Lebanon, OH 45031
513-336-3810

PE Services
INCORPORATED
1550 W. 12th Street
Lebanon, OH 45031
513-336-3810

9 North Broadway
Lebanon, OH 45046
513-336-3810

RUSS ALLEY
1623 - 1625 VINE STREET, 1624 REPUBLIC STREET
(1625 VINE HPTC APPLICATION)
CINCINNATI, OH 45202

3CDC CINCINNATI CENTER CITY DEVELOPMENT CORPORATION

ISSUE LOG:
06.02.2023
ISSUE FOR PERMIT
07.14.2023
PERMIT REVISION 1
09.21.2023
OHFA PRELIM. SUBMISSION

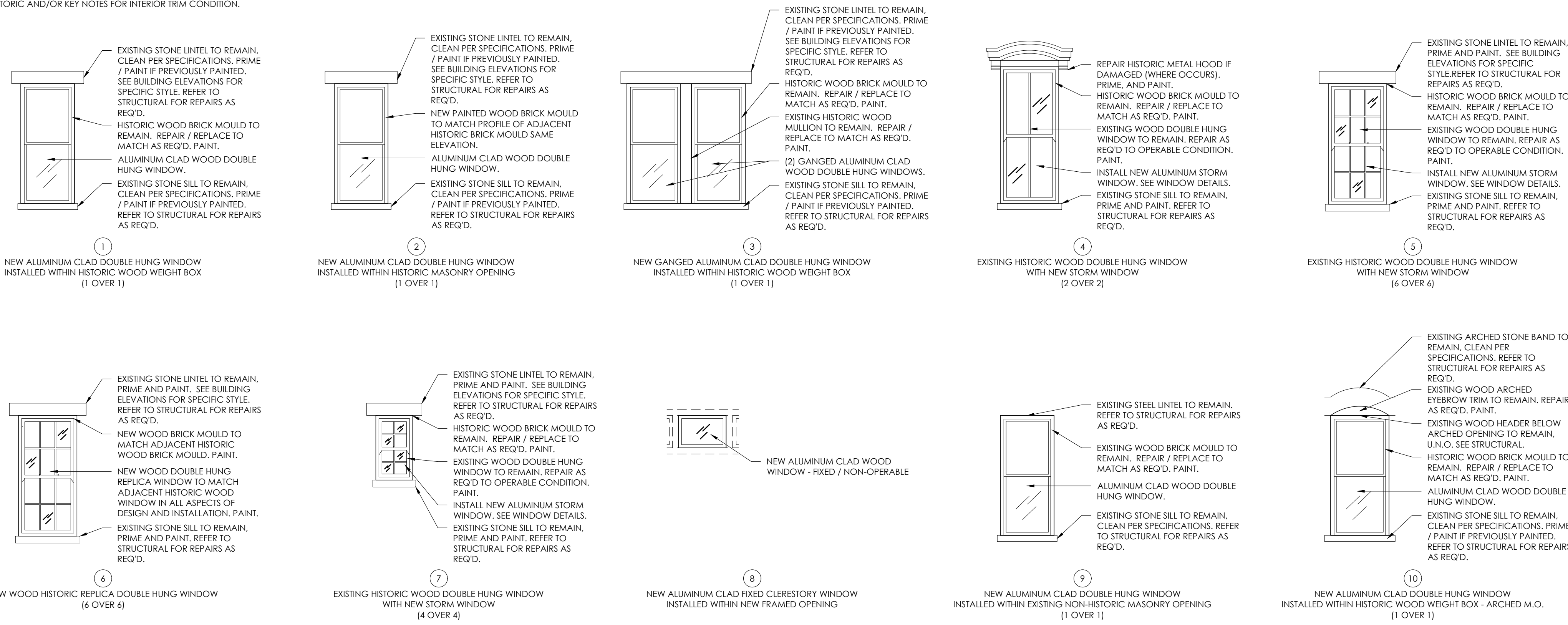
DOOR SCHEDULE

A0.4

PRELIMINARY:
NOT FOR CONSTRUCTION

WINDOW TYPES

NOTE: REFER TO NEW WORK PLAN HISTORIC AND/OR KEY NOTES FOR INTERIOR TRIM CONDITION.



WINDOW SCHEDULE - 1625, 1629, 1633 VINE

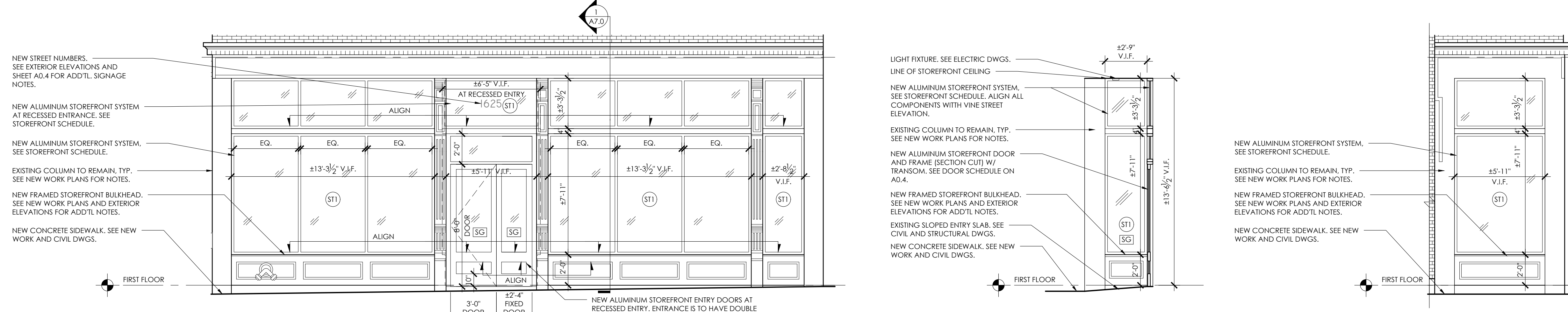
NOTE: REFER TO NEW WORK PLAN HISTORIC AND/OR KEYED NOTES FOR INTERIOR TRIM CONDITION. DOCUMENT INTERIOR TRIM CONDITION BEFORE REMOVING EXISTING WINDOW.

WINDOW TYPE	OPENING INFORMATION			WINDOW UNIT					NOTES	
	NEW	EXIST	TYPE	NEW	EXIST	MFR. / LINE	MATERIAL	OPERATION		DETAILS
1		•	MASONRY	•		TRIMLINE	ALUMINUM CLAD WOOD	DOUBLE HUNG	SHEET A0.5A	
2		•	MASONRY	•		TRIMLINE	ALUMINUM CLAD WOOD	DOUBLE HUNG	SHEET A0.5 SIMILAR	WINDOW EXTERIOR CONDITION / INSTALLATION TO MATCH ADJACENT HISTORIC - SAME ELEVATION.
3		•	MASONRY	•		TRIMLINE	ALUMINUM CLAD WOOD	(2) GANGED DOUBLE HUNG	SHEET A0.5A	
4		•	MASONRY	•		-	EXIST. WOOD	DOUBLE HUNG	-	INSTALL NEW EXTERIOR ALUMINUM STORM WINDOW. SEE GENERAL NOTES THIS SHEET FOR ADDITIONAL INFORMATION.
5		•	MASONRY	•		-	EXIST. WOOD	DOUBLE HUNG	-	INSTALL NEW EXTERIOR ALUMINUM STORM WINDOW. SEE GENERAL NOTES THIS SHEET FOR ADDITIONAL INFORMATION.
6		•	MASONRY	•		CUSTOM	WOOD	DOUBLE HUNG	-	INSTALL NEW CUSTOM WOOD WINDOW AND WOOD BRICK MOULD TO MATCH EXISTING ADJACENT HISTORIC WINDOW (WINDOW TYPE 5). INSTALLATION TO MATCH HISTORIC INSTALLATION.
7		•	MASONRY	•		-	EXIST. WOOD	DOUBLE HUNG	-	INSTALL NEW EXTERIOR ALUMINUM STORM WINDOW. SEE GENERAL NOTES THIS SHEET FOR ADDITIONAL INFORMATION.
8	•		FRAMED	•		TRIMLINE	ALUMINUM CLAD WOOD	FIXED	-	
9		•	MASONRY	•		TRIMLINE	ALUMINUM CLAD WOOD	DOUBLE HUNG	SHEET A0.5 SIMILAR	WINDOW EXTERIOR CONDITION / INSTALLATION TO MATCH ADJACENT HISTORIC - SAME ELEVATION.
10		•	MASONRY	•		TRIMLINE	ALUMINUM CLAD WOOD	DOUBLE HUNG	SHEET A0.5A	

STOREFRONT SCHEDULE - 1625, 1629, 1633 VINE

STOREFRONT CODE	NEW	EXIST	BUILDING	ELEVATION	MATERIAL	NOTES
ST1	•		1625 VINE	1/A6.0 & 1/A6.1	ALUMINUM	NEW THERMALLY BROKEN ALUMINUM STOREFRONT SYSTEM IN EXISTING OPENINGS. BASIS OF DESIGN: KAWNEER TRIFAB 451T. FACTORY PAINTED FINISH - TO BE SELECTED BY ARCHITECT. STRUCTURAL DESIGN OF STOREFRONT FRAMING SYSTEM TO BE DELEGATED DESIGN TO STOREFRONT CONTRACTOR. PROVIDE ENGINEERED, STAMPED SHOP DRAWINGS FOR REVIEW.
			1629 VINE	1/A6.0 & 1/A6.3		
			1633 VINE	1/A6.0		

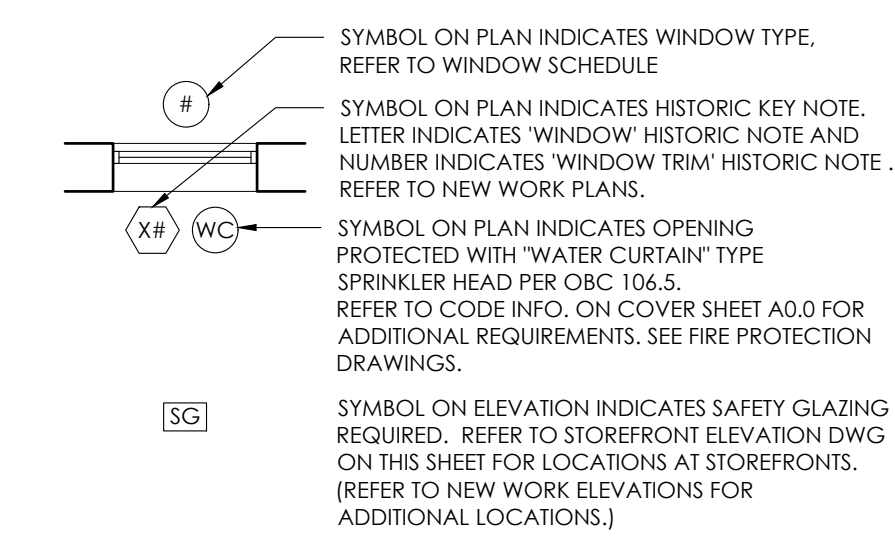
STOREFRONT WINDOWS



WINDOW & STOREFRONT GENERAL NOTES

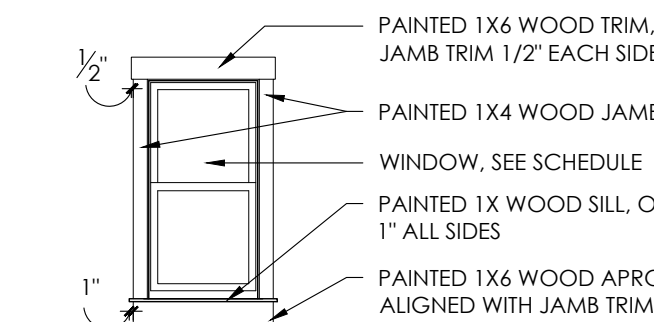
- VERIFY IN FIELD ALL EXISTING AND NEW ROUGH OPENING DIMENSIONS.
- STOREFRONT PAINTING: FOR BIDDING PURPOSES, ASSUME THAT STOREFRONT BULKHEAD WALL, COLUMNS, LINTEL, ETC. WILL BE PAINTED AT LEAST (3) DIFFERENT COLORS PER BUILDING. COLORS AND LOCATIONS OF COLORS TBD BY ARCHITECT.
- NEW WINDOWS ARE TO FULLY FIT HISTORIC WINDOW OPENINGS. PROVIDE CUSTOM WINDOWS AS REQUIRED.
- PROVIDE NEW FULL INSECT SCREENS AT ALL NEW OPERABLE WINDOWS. INSECT SCREENS SHALL COVER THE ENTIRE WINDOW INCLUDING ANY FIXED OR INOPERABLE SASHES. COLOR TO MATCH WINDOWED.
- PROVIDE CONCEALED JAMB LINERS AT ALL NEW OPERABLE WINDOWS.
- NEW WINDOWS TO BE FACTORY-FINISHED ALUMINUM. COLOR TO BE SELECTED BY THE ARCHITECT FROM MANUFACTURER'S FULL RANGE OF STANDARD COLORS. INTERIOR TO BE FACTORY-FINISHED AND FIELD PAINTED. PAINT COLOR - BLACK.
- PROVIDE SAFETY GLAZING AT LOCATIONS INDICATED ON THE NEW WORK ELEVATIONS AND AS REQUIRED BY SECTION 2406.4 ORC - INCLUDING, BUT NOT LIMITED TO:
 - GLAZING IN DOORS.
 - GLAZING IN 24" OF EITHER VERTICAL EDGE OF DOOR IN CLOSED POSITION.
 - GLAZING WHERE BOTTOM EDGE OF PANEL IS LESS THAN 18" AFF.
 - GLAZING ADJACENT TO STAIR & RAMP LANDINGS, STAIRS, RAMP, AND FIRE ESCAPE LANDINGS.
 - GLAZING ADJACENT TO BATHS AND SHOWERS.
- ALL EXTERIOR WINDOWS AND STOREFRONT TO HAVE LOW E. INSULATED GLASS UNIT, CLEAR, MEETING PROJECT SUSTAINABILITY REQUIREMENTS.
- WINDOW SASHES LOCATED WITHIN 3'-0" OF EXHAUST VENT ARE TO BE FIXED AND NON-OPERABLE. COORDINATE LOCATIONS WITH MECHANICAL DRAWINGS.
- WINDOW OPENING CONTROL DEVICES:** PER ORC 1015.8 & 1015.9, OPERABLE WINDOWS WHERE THE TOP OF THE SILL IS LOCATED LESS THAN 36" AFF, AND MORE THAN 72" ABOVE GRADE OR OTHER SURFACE ON THE EXTERIOR OF THE BUILDING, SHALL BE PROVIDED WITH WINDOW OPENING CONTROL DEVICES THAT COMPLY WITH ASTM F 2090. AFTER OPERATION TO RELEASE THE CONTROL DEVICE, THE WINDOW SHALL BE OPENABLE TO ITS FULL OPEN POSITION. (VERIFY WINDOW SILL HEIGHTS IN FIELD.)
- PROVIDE NEW HORIZONTAL LOUVER BLINDS AT THE INTERIOR OF DWELLING UNIT WINDOWS. SEE SPECIFICATIONS.
- PROVIDE NEW FULL HEIGHT STORM WINDOWS WITH OPERABLE 1/2 SCREEN AT ALL OPERABLE HISTORIC WINDOWS TO REMAIN. STORM WINDOWS SHOULD NOT COVER BRICK MOULD AND MEETING RAIL SHALL ALIGN WITH HISTORIC WINDOW RAIL. BASIS OF DESIGN - ALIED WINDOW INC. HISTORIC ONE-LITE TO BE SELECTED BY ARCHITECT.
- WINDOW LOCK ACCESSIBILITY:**
 - PROVIDE EXTENDED REACH RANGE LOCK AT ALL OPERABLE WINDOWS IN ACCESSIBLE DWELLING UNITS. SEE NEW WORK PLANS FOR LOCATIONS OF ACCESSIBLE UNITS.

WINDOW & STOREFRONT GRAPHIC LEGEND



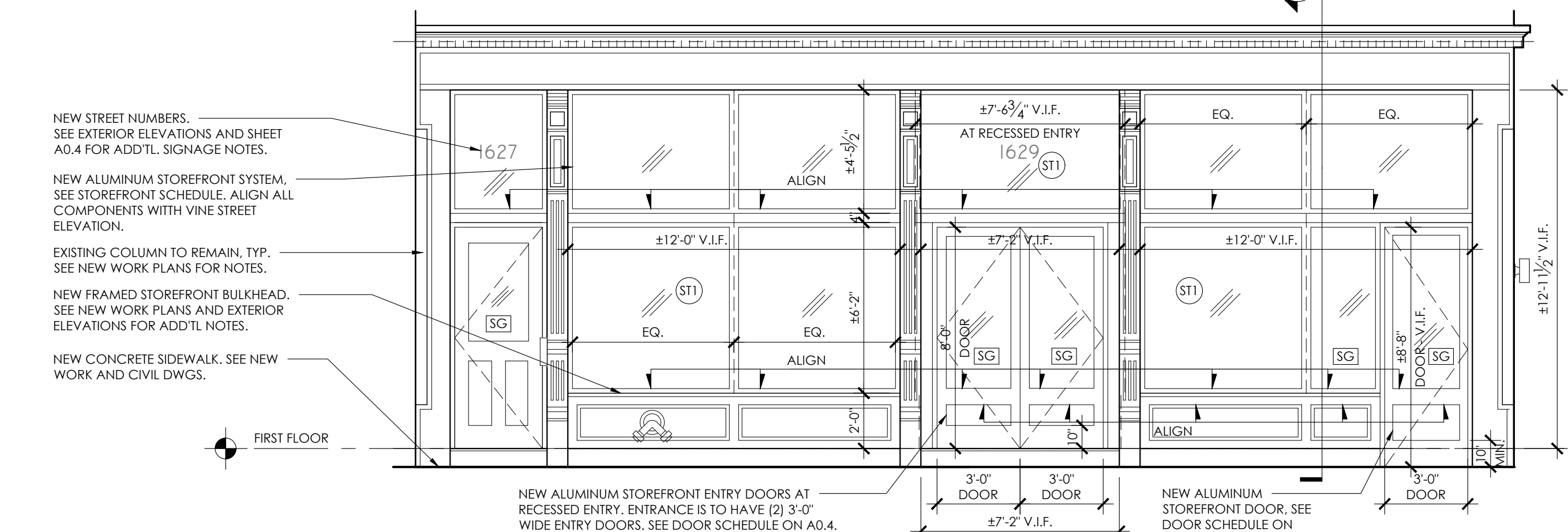
TYPICAL NEW INTERIOR WINDOW TRIM DETAILS

REFER TO HISTORIC KEY NOTES ON NEW WORK PLANS FOR INTERIOR WINDOW TRIM VARIATIONS AND INSTRUCTIONS. FOR WINDOWS WITH HISTORIC NOTE #4 (NEW CONTEMPORARY WINDOW TRIM), PROVIDE NEW WOOD TRIM PER BELOW



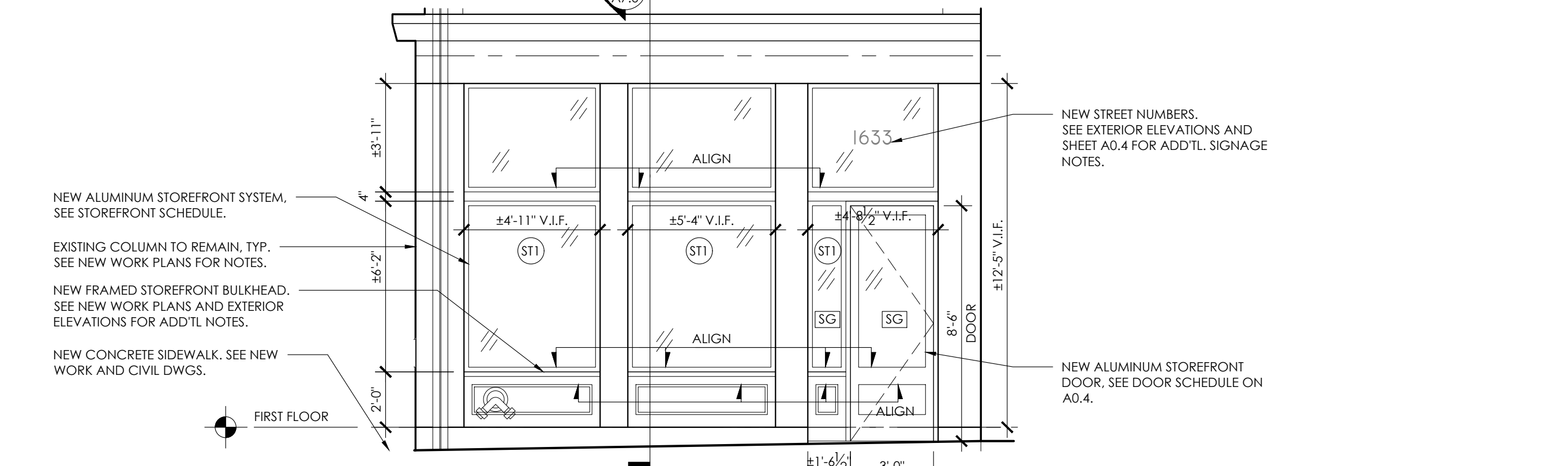
1 STOREFRONT - EAST ELEVATION @ 1625 VINE

A0.5 1/4" = 1'-0"



7 STOREFRONT - EAST ELEVATION @ 1633 VINE

A0.5 1/4" = 1'-0"



6 STOREFRONT - ELEVATION NORTH @ 1629 VINE

A0.5 1/4" = 1'-0"



NOT FOR CONSTRUCTION

CITYSTUDIOS ARCHITECTURE
1148 Main Street
Cincinnati, OH 45202
ph. 513.621.0750
citystudiosarch.com

adVantage STRUCTURAL ENGINEERS
1527 Madison Road
Cincinnati, OH 45206
513.396.8900
www.advantage6E.com

VIOX & VIOX
Civil Engineers, Surveyors and Landscape Architects
11500 New Albany Road, Cincinnati, OH 45244
www.vioxandviox.com

PE Services
1457 W. 12th Street
Cincinnati, OH 45202
www.pe-services.com
9 North Broadway
Lebanon, OH 45046
513-836-3810

RUSS ALLEY
 1623 - 1625 VINE STREET, 1624 REPUBLIC STREET
 (1625 VINE HPTC APPLICATION)
 CINCINNATI, OH 45202

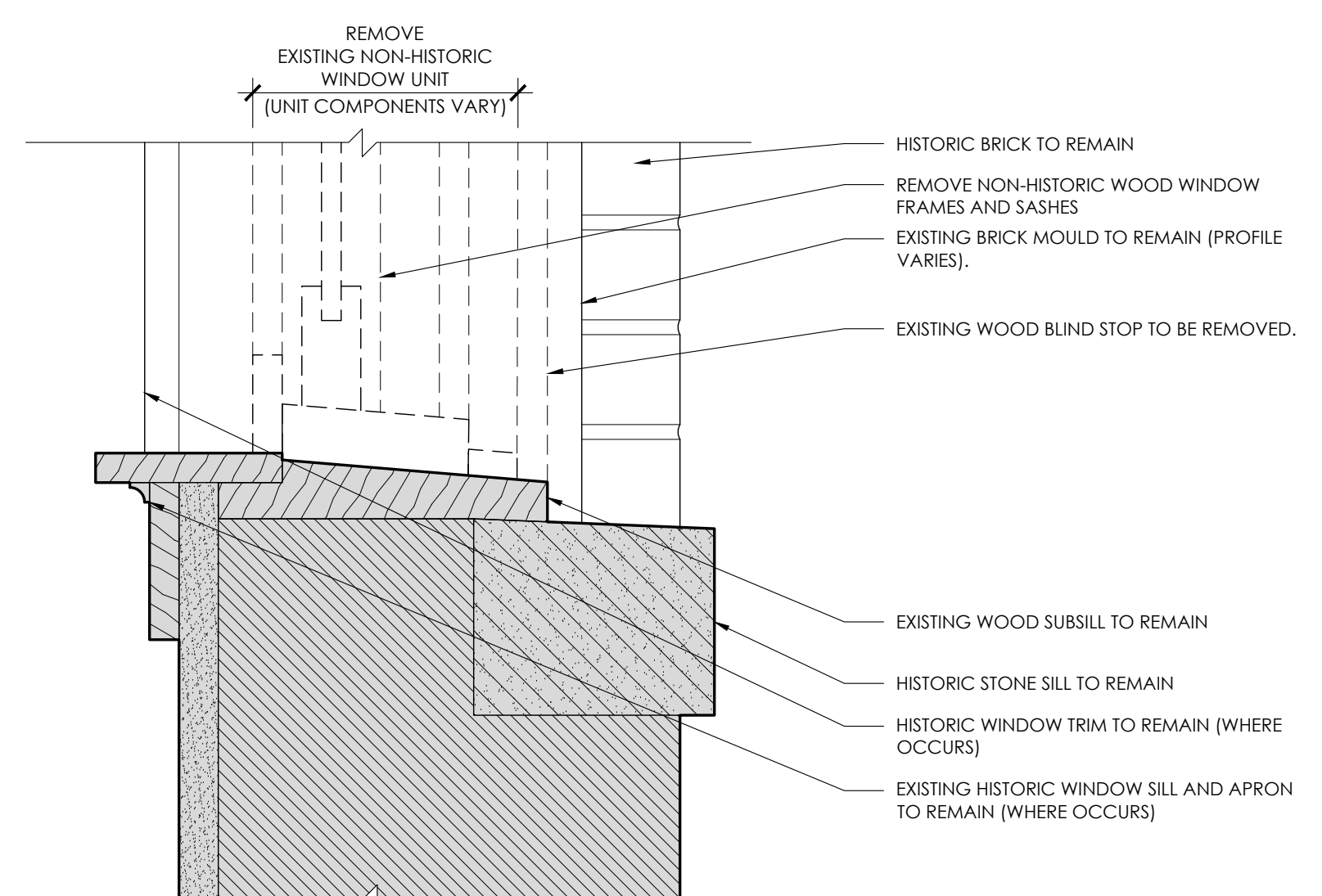
3CDC CINCINNATI CENTER CITY DEVELOPMENT CORPORATION

ISSUE LOG:
06.02.2023 ISSUE FOR PERMIT
07.14.2023 PERMIT REVISION 1
09.21.2023 OHFA PRELIM. SUBMISSION

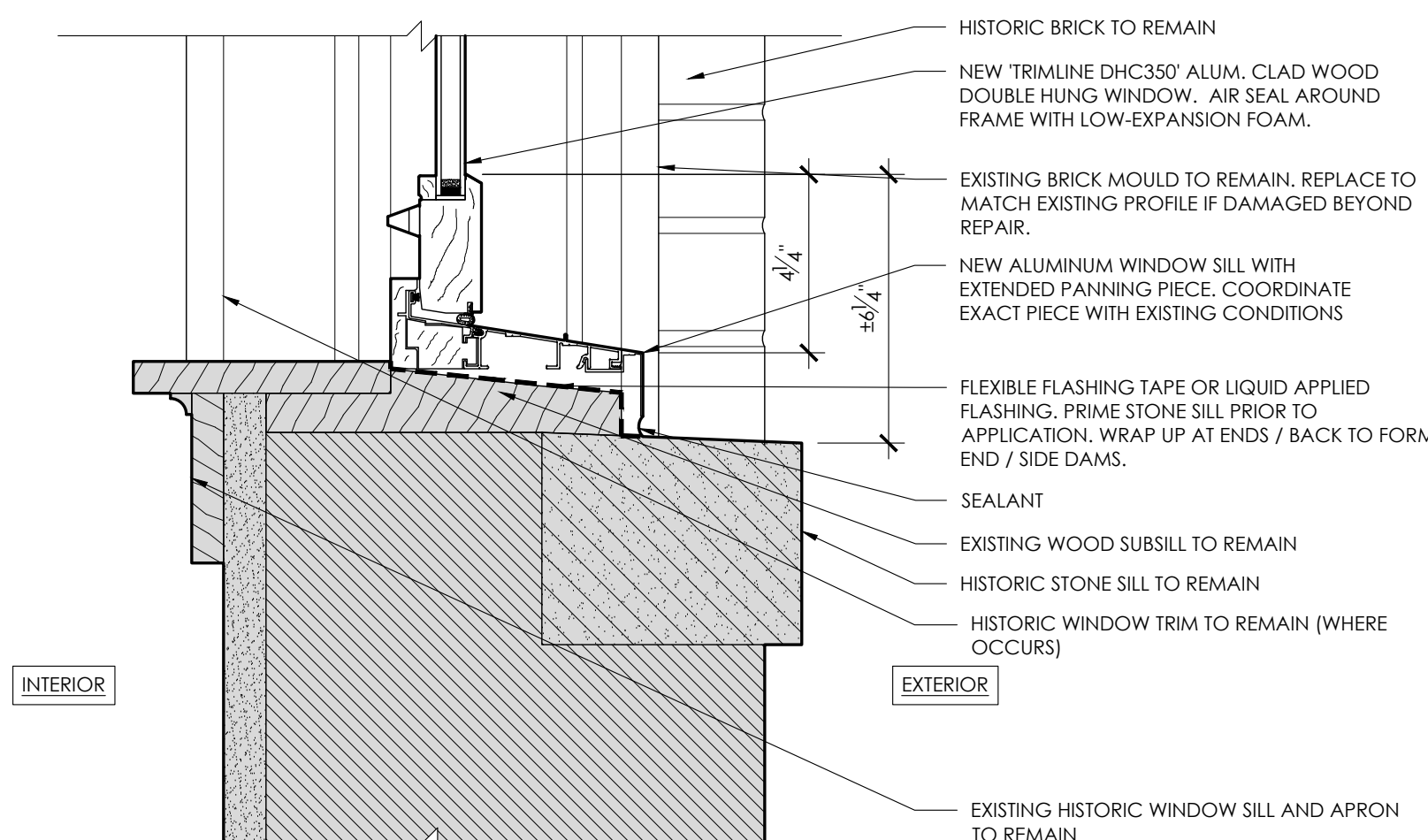
WINDOW AND STOREFRONT SCHEDULE AND ELEVATIONS

A0.5

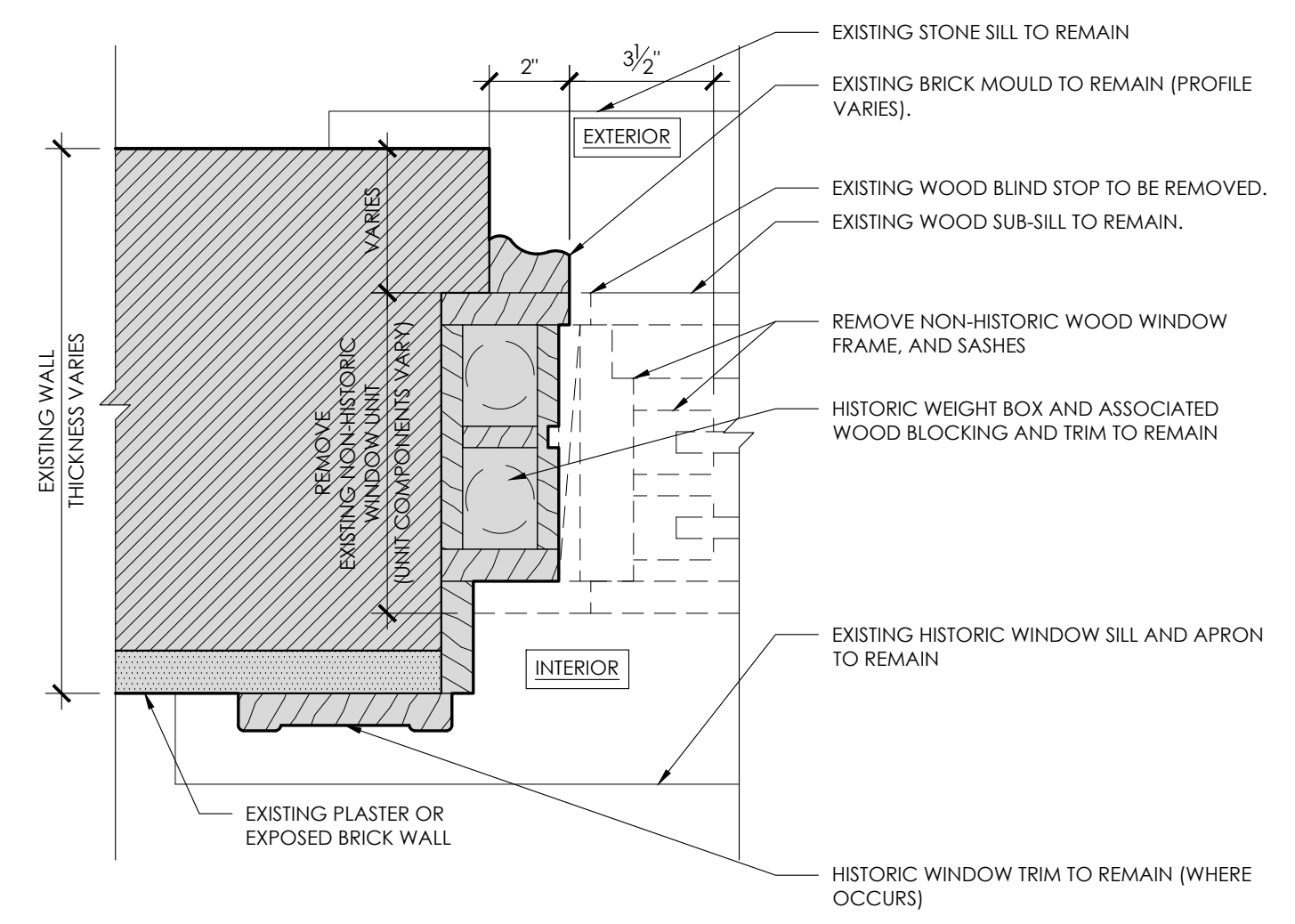
PRELIMINARY:
NOT FOR CONSTRUCTION



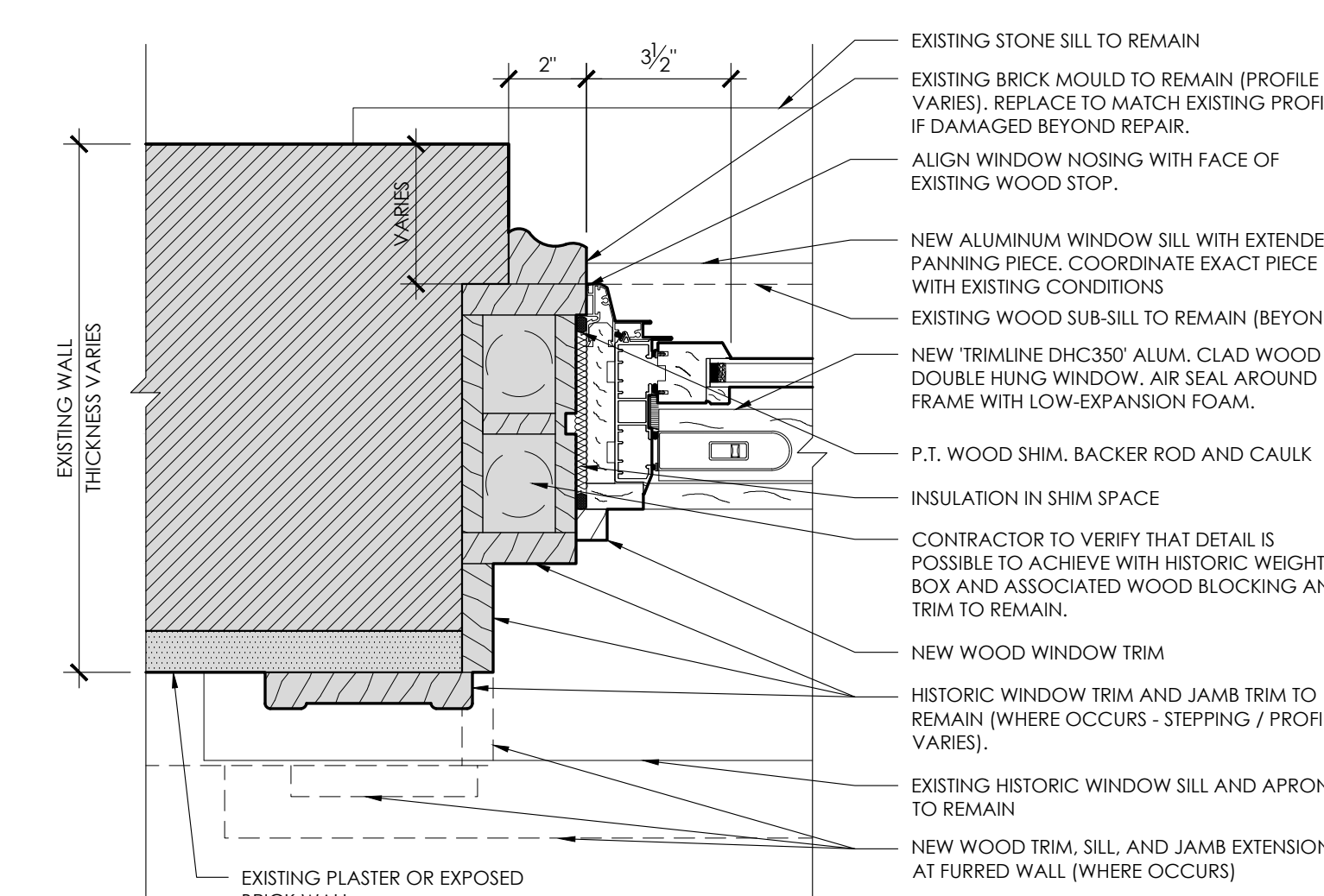
4
A0.5a
3" = 1'-0"
TYPICAL EXISTING ELEVATION SILL DETAIL
EXISTING WINDOW SILL DETAIL SHOWN FOR REFERENCE ONLY - VERIFY EXISTING CONDITIONS IN FIELD



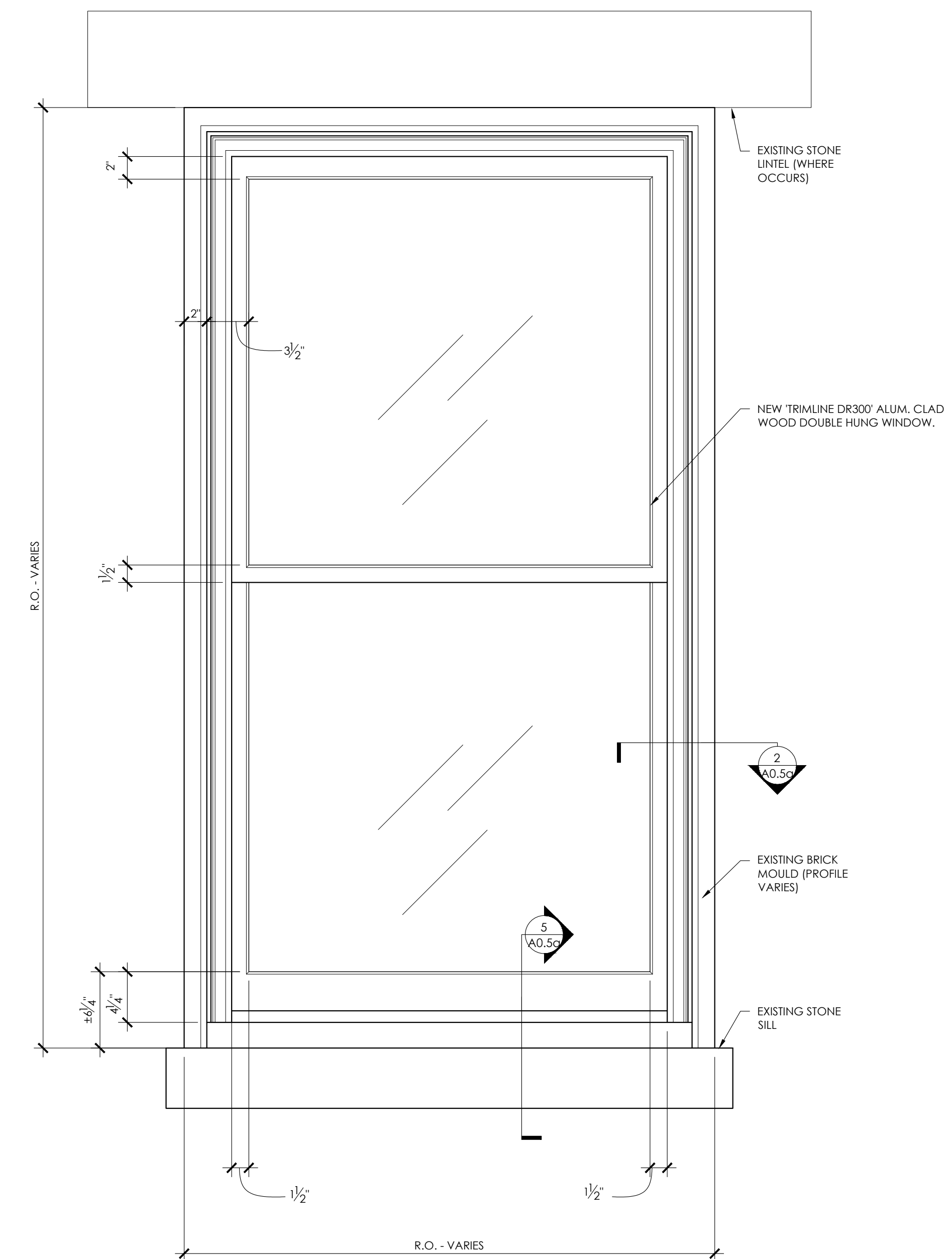
5
A0.5a
3" = 1'-0"
TYPICAL NEW ELEVATION SILL DETAIL
WALL, TRIM, AND SILL CONDITIONS VARY @ INTERIOR - SEE PLANS AND HISTORIC KEYNOTES. VERIFY EXISTING CONDITIONS IN FIELD



1
A0.5a
3" = 1'-0"
TYPICAL EXISTING ELEVATION JAMB DETAIL
EXISTING WINDOW JAMB DETAIL SHOWN FOR REFERENCE ONLY - VERIFY EXISTING CONDITIONS IN FIELD



2
A0.5a
3" = 1'-0"
TYPICAL NEW ELEVATION JAMB DETAIL
WALL, TRIM, AND SILL CONDITIONS VARY @ INTERIOR - SEE PLANS AND HISTORIC KEYNOTES. VERIFY EXISTING CONDITIONS IN FIELD



3
A0.5a
1-1/2" = 1'-0"
TYPICAL NEW WINDOW ELEVATION

ARCHITECTURAL SPECIFICATIONS - CONTINUED

- 4. PROVIDE ADA COMPLIANT DOOR INCLUDING 10 INCH BOTTOM RAIL.
6. FRAMES: SELECT SOFTWOOD, WATER-RESISTANT, PRESERVATIVE-TREATED IN ACCORDANCE WITH WDMA A15.4 AT HEAD AND JAMBS.
1. INTERIOR EXPOSED SURFACES: WOOD VENEER TO MATCH DOOR.
2. EXTERIOR SURFACES: CLAD WITH MANUFACTURERS STANDARD ALUMINUM AT HEAD AND JAMBS.
3. THRESHOLDS: MANUFACTURERS STANDARD LOW PROFILE ADA COMPLIANT, EXTRUDED ALUMINUM.
D. GLAZING: ASTM C 1048, MANUFACTURERS STANDARD TEMPERED LOW E INSULATING GLASS INSTALLED INTO HIGH PERFORMANCE GLAZING FRAME.
E. ALUMINUM FINISH: TWO-COAT FLUOROPOLYMER FINISH COMPLYING WITH ANAMA 2055 AND CONTAINING NOT LESS THAN 70 PERCENT PVDF RESIN BY WEIGHT IN COLOR COAT. COLOR SELECTED BY ARCHITECT. FINISH: HIGH PERFORMANCE MANUFACTURERS STANDARD PAINT FINISH, MATCH WINDOW COLOR.
1.3 HARDWARE
A. HINGES: 4-INCH BY 4-INCH 100-NIHN THICK GOLD-ROLORED STEEL WITH STAINLESS STEEL BALL BEARINGS AND NON-REMOVABLE PIN. FINISH: MATCH ALUMINUM.
B. WEATHER STRIP: MANUFACTURERS STANDARD GLESED-CELL FOAM WRAPPED WITH VEYL, GASKET INSTALLED IN KEF OF FRAME AT HEAD AND JAMBS.
C. HARDWARE PREPARATION: FACTORY PREPARED FOR DOOR HARDWARE AS INDICATED. INSTALL DOORS IN ACCORDANCE WITH MANUFACTURERS INSTRUCTIONS AND APPROVED SHOP DRAWINGS. COMPLY WITH ASTM A 212.

SECTION 081723 - INTEGRATED WOOD DOOR ASSEMBLIES

- 1. WOOD DOOR ASSEMBLY MATERIALS
A. INTERIOR FINISHING: MEDIUM WOOD FINISH.
1. FACES: SMOOTH-HDF OR TEMPERED HARDBOARD, CLASS 2 PER ANSHVA/A-113.4.5, WITH MINIMUM TENSILE STRENGTH OF 200 PSI.
2. CORE: SOLID CORE UNLESS INDICATED OTHERWISE. 1-3/4 INCH THICK.
3. FINISH: FACTORY PRIMED.
4. DESIGN: AS INDICATED ON DRAWINGS.
B. FRAME: SELECT SOFT WOOD FABRICATED AS A FLAT JAMB WITH DOORSTOP APPLIED OR 2 PCE SPUL JAMB.
1. HINGE JAMB PREPARATIONS: MACHINED FOR FULL LIP CILINDRICAL STRIKE PLATE.
2. STRIKE JAMB PREPARATIONS: MACHINED FOR FULL LIP CILINDRICAL STRIKE PLATE.
3. DOUBLE DOOR LINE JAMB PREPARATIONS: MACHINE FOR WALL CATCH LOCATED AT THE TOP OF DOOR ON BOTH DOOR PANELS DESIGNED TO STRIKE INTO THE HEAD JAMB.
C. HINGES: THREE-BALL BEARING MORTISE HINGES, DOORS TALLER THAN 7-FEET: FOUR HINGES.
D. FINISH: MATCH WINDOW COLOR. COMPLY WITH NHPA 60 REQUIREMENTS FOR PRE-PAIRED DOORS.
1.2 INSTALLATION
1. INSTALLATION INSTRUCTIONS: INSTALL DOORS TO COMPLY WITH MANUFACTURERS WRITTEN INSTRUCTIONS AND AS INDICATED. INSTALL, PRE-PAIRED DOORS ACCORDING TO NHPA 60.

SECTION 08113 - ACCESS DOORS AND FRAMES

- 1. ACCESS DOOR TYPES
A. PRE-PAIRED ACCESS DOORS AND FRAMES: ASSEMBLIES COMPLYING WITH NHPA 60 THAT ARE LISTED AND LABELED BY A QUALIFIED TESTING AGENCY, FOR FIRE-PROTECTION RATINGS INDICATED, ACCORDING TO NHPA 252 OR UL 10B.
B. BASIS OF DESIGN PRODUCTS: PROVIDE THE PRODUCTS INDICATED OR A COMPARABLE SUBSTITUTION
1. EXPOSED TRIM TYPE: ALCODUR PRODUCTS, INC., UF-5000
2. FIRE-RATED EXPOSED TRIM TYPE: WALLS: ALCODUR PRODUCTS, INC., FR-5040
3. FIRE-RATED EXPOSED TRIM TYPE: CEILING: ALCODUR PRODUCTS, INC., FR-5040
4. TRIMLESS TYPE: ALCODUR PRODUCTS, INC., DW-5040
5. FIRE-RATED, TRIMLESS TYPE: WALLS: ALCODUR PRODUCTS, INC., FR-5040-DW
6. FIRE-RATED, TRIMLESS TYPE: CEILING: ALCODUR PRODUCTS, INC., FW-5040-DW
C. FIRE-RATED ACCESS DOORS: FURNISH TWO FLUSH KEYS PER LOCK.
D. FACTORY PRIMED: MANUFACTURERS STANDARD, UNIVERSAL, PRIMER.
1.2 INSTALLATION
A. COMPLY WITH MANUFACTURERS WRITTEN INSTRUCTIONS FOR INSTALLING ACCESS DOORS AND FRAMES.
B. INSTALL FIRE-RATED ACCESS DOORS AND FRAMES IN FIRE-RATED WALLS AND CEILING.
C. FLUSH TRIMLESS TYPE LOCATIONS: PUBLIC AREAS, GYPSIUM BOARD, ADAPTATION UNITS, MAIN PASSES, FLUSH EXPOSED TRIM TYPE LOCATIONS: CERAMIC TILE WALLS, APARTMENT CLOSETS, MECHANICAL ROOMS, STORAGE ROOMS, CLOSETS.
08113 -75 SECTION 08113 - ALUMINUM-FRAMED ENTRANCES AND STOREFRONTS

- 1. GENERAL SECTION REQUIREMENTS
A. INSTALLER QUALIFICATIONS: AN ENTITY THAT EMPLOYS INSTALLERS AND SUPERVISORS WHO ARE TRAINED AND APPROVED BY MANUFACTURER.
B. SPECIAL WARRANTIES: MANUFACTURER AGREES TO REPAIR OR REPLACE COMPONENTS OF ALUMINUM-FRAMED ENTRANCES AND STOREFRONTS THAT DO NOT COMPLY WITH REQUIREMENTS OR THAT FAIL IN MATERIALS OR WORKMANSHIP WITH SPECIFIED WARRANTY PERIOD.
1. STOREFRONT SYSTEMS WARRANTY PERIOD: TWO YEARS.
2. FINISH WARRANTY PERIOD: TWENTY YEARS.
1.2 PERFORMANCE REQUIREMENTS
A. DELEGATED DESIGN: ENGAGE A QUALIFIED PROFESSIONAL ENGINEER TO DESIGN ALUMINUM-FRAMED ENTRANCES AND STOREFRONTS. STRUCTURAL LOADS: AS INDICATED ON DRAWINGS.
B. DEFLECTION OF FRAMING MEMBERS NORMAL TO WALL PLANE: LIMITED TO EDGE OF GLASS IN A DIRECTION PERPENDICULAR TO GLASS PLANE NOT EXCEEDING 1/750 OF THE GLASS EDGE LENGTH FOR EACH INDIVIDUAL GLAZING LITE OR AN AMOUNT THAT RESTRICTS DEFLCTION OF INDIVIDUAL GLAZING LITES TO 1/4-INCH, WHICHEVER IS LESS.
C. DEFLECTION OF FRAMING MEMBERS PARALLEL TO GLAZING PLANE: LIMITED TO 1/360 OF CLEAR SPAN OR 1/8 INCH, WHICHEVER IS SMALLER.
D. STRUCTURAL: TEST ACCORDING TO ASTM E 830. TEST DURATIONS: AS REQUIRED TO DESIGN WIND VELOCITY, BUT NOT LESS THAN 10 SECONDS.
E. AIR INFILTRATION: TEST ACCORDING TO ASTM E 283. MAXIMUM AIR LEAKAGE OF 0.06 CFM/SQ. FT. AT A STATIC AIR-PRESSURE DIFFERENTIAL OF 6.24 LB/SQ. FT.
F. WATER PENETRATION: STATIC PRESSURE: TEST ACCORDING TO ASTM E 53. NO EVIDENCE OF WATER PENETRATION WHEN TESTED ACCORDING TO A MINIMUM STATIC AIR-PRESSURE DIFFERENTIAL OF 20 PERCENT OF DESIGN WIND LOAD DESIGN PRESSURE, BUT NOT LESS THAN 10 LB/SQ. FT.
1.3 PERFORMANCE REQUIREMENTS
A. GENERAL: MANUFACTURERS SPECIAL WARRANTY FOR COATED GLASS PRODUCTS. MANUFACTURERS STANDARD FORM IN WHICH MANUFACTURER AGREES TO REPLACE GLASS UNITS THAT DETERIORATE WITH SPECIFIED WARRANTY PERIOD.
1. COATED GLASS WARRANTY PERIOD: 10 YEARS.
2. INSULATING GLASS WARRANTY PERIOD: 10 YEARS.
1.4 GLAZING MATERIALS
A. STRENGTH: WHERE FLOAT GLASS IS INDICATED, PROVIDE ANNEALED FLOAT GLASS, HEAT-STRENGTHENED FLOAT GLASS, OR FULLY TEMPERED GLASS AS NEEDED TO COMPLY WITH PERFORMANCE REQUIREMENTS.
B. MODULUS OF FRACTURE: FLOAT GLASS: ASTM C 1036, TYPE QUALITY-42; CLEAR.
C. HEAT-TREATED FLOAT GLASS: ASTM C 1048, TYPE 1; QUALITY Q3; CLEAR.
D. CLEAR GLAZING UNITS, GENERAL: FACTORY-ASSEMBLED UNITS QUALIFIED ACCORDING TO ASTM E 2190 DUAL SEALED, CLEAR GLAZING UNIT.
1. LOW E COEFFICIENT SPLITTER ON SECOND SURFACE.
2. TEMPERED INSULATION SYSTEM: PROVIDE TEMPERED GLASS FOR BOTH LITES.
E. DENSE COMPRESSION GASKETS: ASTM C 504 AND ASTM C1115.
F. SOFT COMPRESSION GASKETS: ASTM C 286, TYPE II.
1.4 GLAZING
A. COMPLY WITH COMBINED WRITER INSTRUCTIONS OF MANUFACTURERS OF GLASS, SEALANTS, GASKETS, AND OTHER GLAZING MATERIALS, UNLESS MORE STRINGENT REQUIREMENTS ARE INDICATED, INCLUDING THOSE IN REFERENCED SPECIFICATIONS.
B. SOUND-ATTENUATION BLANKETS: ASTM C656, TYPE 1.
C. DRY GASKET GLAZING: CENTER GLASS LITES IN OPENINGS ON SETTING BLOCKS AND PRESS FROM INSIDE AGAINST SOFT COMPRESSION GASKETS. MANUFACTURERS STANDARD.
D. APPLICATION AND INSTALLATION: APPLY PRESSURE UNIFORMLY TO COMPRESSION GASKETS, COMPRESS GASKETS TO PRODUCE A WEATHERTIGHT SEAL WITHOUT DEVELOPING BENDING STRESSES IN GLASS. SEAL GASKET JOINTS WITH SEALANT RECOMMENDED IN WRITER'S SPECIFICATIONS.
E. WEAT SEALED GLAZING:
1. INSTALL COMPRESSIBLE SPACERS, OR SPACERS COMBINED WITH CYLINDRICAL SEALANT BACKING, BETWEEN GLASS LITES AND GLAZING STOPS TO MAINTAIN GLASS FACE CLEARANCES AND TO PREVENT SEALANT FROM EXTRUDING INTO GLASS CHANNEL AND BLOCKING WEEP SYSTEMS UNTIL SEALANTS CURT. SECURE SPACERS OR SPACERS WITH GLAZING CHANNELS AND IN POSITION TO CONTROL DEPTH OF SEALANT.
2. RELATIVE TO DRY GLAZING FOR OPTIMUM SEALANT PERFORMANCE.
2. FORCE SEALANTS INTO GLAZING CHANNELS TO ELIMINATE VOIDES AND TO ENSURE COMPLETE WETTING OR BOND OF SEALANT TO GLASS AND CHANNEL SURFACES.
3. TIGHT EXPOSED SURFACES OF SEALANTS TO PROVIDE A SUBSTANTIAL WASH AWAY FROM GLASS.

- 1. GENERAL SECTION REQUIREMENTS
A. MANUFACTURERS SPECIAL WARRANTY FOR COATED GLASS PRODUCTS. MANUFACTURERS STANDARD FORM IN WHICH MANUFACTURER AGREES TO REPLACE GLASS UNITS THAT DETERIORATE WITH SPECIFIED WARRANTY PERIOD.
1. COATED GLASS WARRANTY PERIOD: 10 YEARS.
2. INSULATING GLASS WARRANTY PERIOD: 10 YEARS.
1.4 GLAZING MATERIALS
A. STRENGTH: WHERE FLOAT GLASS IS INDICATED, PROVIDE ANNEALED FLOAT GLASS, HEAT-STRENGTHENED FLOAT GLASS, OR FULLY TEMPERED GLASS AS NEEDED TO COMPLY WITH PERFORMANCE REQUIREMENTS.
B. MODULUS OF FRACTURE: FLOAT GLASS: ASTM C 1036, TYPE QUALITY-42; CLEAR.
C. HEAT-TREATED FLOAT GLASS: ASTM C 1048, TYPE 1; QUALITY Q3; CLEAR.
D. CLEAR GLAZING UNITS, GENERAL: FACTORY-ASSEMBLED UNITS QUALIFIED ACCORDING TO ASTM E 2190 DUAL SEALED, CLEAR GLAZING UNIT.
1. LOW E COEFFICIENT SPLITTER ON SECOND SURFACE.
2. TEMPERED INSULATION SYSTEM: PROVIDE TEMPERED GLASS FOR BOTH LITES.
E. DENSE COMPRESSION GASKETS: ASTM C 504 AND ASTM C1115.
F. SOFT COMPRESSION GASKETS: ASTM C 286, TYPE II.
1.4 GLAZING
A. COMPLY WITH COMBINED WRITER INSTRUCTIONS OF MANUFACTURERS OF GLASS, SEALANTS, GASKETS, AND OTHER GLAZING MATERIALS, UNLESS MORE STRINGENT REQUIREMENTS ARE INDICATED, INCLUDING THOSE IN REFERENCED SPECIFICATIONS.
B. SOUND-ATTENUATION BLANKETS: ASTM C656, TYPE 1.
C. DRY GASKET GLAZING: CENTER GLASS LITES IN OPENINGS ON SETTING BLOCKS AND PRESS FROM INSIDE AGAINST SOFT COMPRESSION GASKETS. MANUFACTURERS STANDARD.
D. APPLICATION AND INSTALLATION: APPLY PRESSURE UNIFORMLY TO COMPRESSION GASKETS, COMPRESS GASKETS TO PRODUCE A WEATHERTIGHT SEAL WITHOUT DEVELOPING BENDING STRESSES IN GLASS. SEAL GASKET JOINTS WITH SEALANT RECOMMENDED IN WRITER'S SPECIFICATIONS.
E. WEAT SEALED GLAZING:
1. INSTALL COMPRESSIBLE SPACERS, OR SPACERS COMBINED WITH CYLINDRICAL SEALANT BACKING, BETWEEN GLASS LITES AND GLAZING STOPS TO MAINTAIN GLASS FACE CLEARANCES AND TO PREVENT SEALANT FROM EXTRUDING INTO GLASS CHANNEL AND BLOCKING WEEP SYSTEMS UNTIL SEALANTS CURT. SECURE SPACERS OR SPACERS WITH GLAZING CHANNELS AND IN POSITION TO CONTROL DEPTH OF SEALANT.
2. RELATIVE TO DRY GLAZING FOR OPTIMUM SEALANT PERFORMANCE.
2. FORCE SEALANTS INTO GLAZING CHANNELS TO ELIMINATE VOIDES AND TO ENSURE COMPLETE WETTING OR BOND OF SEALANT TO GLASS AND CHANNEL SURFACES.
3. TIGHT EXPOSED SURFACES OF SEALANTS TO PROVIDE A SUBSTANTIAL WASH AWAY FROM GLASS.

- 1. GENERAL SECTION REQUIREMENTS
A. MANUFACTURERS SPECIAL WARRANTY FOR COATED GLASS PRODUCTS. MANUFACTURERS STANDARD FORM IN WHICH MANUFACTURER AGREES TO REPLACE GLASS UNITS THAT DETERIORATE WITH SPECIFIED WARRANTY PERIOD.
1. COATED GLASS WARRANTY PERIOD: 10 YEARS.
2. INSULATING GLASS WARRANTY PERIOD: 10 YEARS.
1.4 GLAZING MATERIALS
A. STRENGTH: WHERE FLOAT GLASS IS INDICATED, PROVIDE ANNEALED FLOAT GLASS, HEAT-STRENGTHENED FLOAT GLASS, OR FULLY TEMPERED GLASS AS NEEDED TO COMPLY WITH PERFORMANCE REQUIREMENTS.
B. MODULUS OF FRACTURE: FLOAT GLASS: ASTM C 1036, TYPE QUALITY-42; CLEAR.
C. HEAT-TREATED FLOAT GLASS: ASTM C 1048, TYPE 1; QUALITY Q3; CLEAR.
D. CLEAR GLAZING UNITS, GENERAL: FACTORY-ASSEMBLED UNITS QUALIFIED ACCORDING TO ASTM E 2190 DUAL SEALED, CLEAR GLAZING UNIT.
1. LOW E COEFFICIENT SPLITTER ON SECOND SURFACE.
2. TEMPERED INSULATION SYSTEM: PROVIDE TEMPERED GLASS FOR BOTH LITES.
E. DENSE COMPRESSION GASKETS: ASTM C 504 AND ASTM C1115.
F. SOFT COMPRESSION GASKETS: ASTM C 286, TYPE II.
1.4 GLAZING
A. COMPLY WITH COMBINED WRITER INSTRUCTIONS OF MANUFACTURERS OF GLASS, SEALANTS, GASKETS, AND OTHER GLAZING MATERIALS, UNLESS MORE STRINGENT REQUIREMENTS ARE INDICATED, INCLUDING THOSE IN REFERENCED SPECIFICATIONS.
B. SOUND-ATTENUATION BLANKETS: ASTM C656, TYPE 1.
C. DRY GASKET GLAZING: CENTER GLASS LITES IN OPENINGS ON SETTING BLOCKS AND PRESS FROM INSIDE AGAINST SOFT COMPRESSION GASKETS. MANUFACTURERS STANDARD.
D. APPLICATION AND INSTALLATION: APPLY PRESSURE UNIFORMLY TO COMPRESSION GASKETS, COMPRESS GASKETS TO PRODUCE A WEATHERTIGHT SEAL WITHOUT DEVELOPING BENDING STRESSES IN GLASS. SEAL GASKET JOINTS WITH SEALANT RECOMMENDED IN WRITER'S SPECIFICATIONS.
E. WEAT SEALED GLAZING:
1. INSTALL COMPRESSIBLE SPACERS, OR SPACERS COMBINED WITH CYLINDRICAL SEALANT BACKING, BETWEEN GLASS LITES AND GLAZING STOPS TO MAINTAIN GLASS FACE CLEARANCES AND TO PREVENT SEALANT FROM EXTRUDING INTO GLASS CHANNEL AND BLOCKING WEEP SYSTEMS UNTIL SEALANTS CURT. SECURE SPACERS OR SPACERS WITH GLAZING CHANNELS AND IN POSITION TO CONTROL DEPTH OF SEALANT.
2. RELATIVE TO DRY GLAZING FOR OPTIMUM SEALANT PERFORMANCE.
2. FORCE SEALANTS INTO GLAZING CHANNELS TO ELIMINATE VOIDES AND TO ENSURE COMPLETE WETTING OR BOND OF SEALANT TO GLASS AND CHANNEL SURFACES.
3. TIGHT EXPOSED SURFACES OF SEALANTS TO PROVIDE A SUBSTANTIAL WASH AWAY FROM GLASS.

09 - FINISHES

SECTION 09120 - MAINTENANCE OF PLASTER AND GYPSIUM BOARD

- 1.1 GENERAL AND HISTORIC REQUIREMENTS
A. WORK SHALL COMPLY WITH OWNERS HISTORIC PRESERVATION TAX CREDIT PROGRAM. REFER TO APPROVED CERTIFICATION APPLICATION PART 2 DOCUMENTS, COMPLY WITH NATIONAL PARKS SERVICE (NPS) PRESERVATION BRIEF NO. 21.
1.2 PLASTER AND GYPSIUM PRODUCTS
A. PRODUCTS: GENERAL: COMPLY WITH ASTM C 841.
B. GYPSIUM BOARD: GENERAL: COMPLY WITH ASTM C 1396.
C. PLASTER: FIBERGLASS CANVASING SYSTEM: SPECIFICATION CHEMICALS INC., NU-WALL RESTORATION SYSTEM.
D. BASE-COAT PLASTERS: GENERAL: ASTM C 281C. PROVIDE ONE OF THE FOLLOWING PRODUCTS THAT IS THE MOST COMPATIBLE WITH EXISTING PLASTER.
1. LIGHTWEIGHT GYPSUM READY-MIXED PLASTER WITH MILD-MIXED PERLITE AGGREGATE.
2. GYPSUM NET-PLASTER: FOR USE WITH 28-MESH AGGREGATES.
3. GYPSUM WOOD-FIBER PLASTER.
E. GYPSUM READY-MIXED FINISH PLASTER: ASTM C 282/284.
F. ONE-COMPONENT GYPSUM VENEER PLASTER: ASTM C 387.
G. READY-MIX ALL-PURPOSE DRYWALL JOINT FILLER AND JOINT COMPOUND.
1.3 EXAMINATION AND PREPARATIONS
A. EXAMINE EXPOSED SUBSTRATES AND DETERMINE BEST METHOD OF RESTORING PLASTERING REPAIR IN EACH AREA, AT FURNITURE OR REPLACEMENT PLASTER AREA, THEN BACK INTO EXISTING FINISH PLASTER TO REPAIR. REMOVE SHIP AND CLEAN EDGES.
B. CRACK REPAIRS LESS THAN 1/16-INCH WIDE: CLEAN OUT ALL LOOSE MATERIAL, Dampen, and FILL WITH TOP-COAT FLOOR UNLESS COVERING WITH FIBERGLASS CANVASING SYSTEM.
C. CRACK REPAIRS GREATER THAN 1/16-INCH WIDE: PREPARE BY REMOVING OUT-OF-PLANE AREAS AND LOOSE PLASTER. FILL IF NECESSARY FOR GAP WIDTH, AND THEN COVER WALL WITH FIBERGLASS CANVASING SYSTEM.
1.4 INSTALLATION AND REPAIRS
A. ACCESSORIES: INSTALL ACCORDING TO ASTM C 841. THEN COVER WITH REPAIR AND FIBERGLASS IS REQUIRED.
B. NEW PLASTERING SYSTEM: GENERAL: COMPLY WITH ASTM C 842.
C. BONDING-COMPOUND: APPLY ON MASONRY SUBSTRATE AND PREPARED EDGES OF EXISTING PLASTER TO REPAIR.
D. BASE COATS, SCRATCH COATS AND BROWN COATS: INSTALL TYPES AS DETERMINED FOR CONDITIONS AND COMPATIBILITY WITH EXISTING PLASTER.
E. PLASTER FINISHES: PROVIDE TROTTLED FINISH UNLESS OTHERWISE REFERRED TO MATCH EXISTING ADJACENT SURFACE.
F. GYPSUM BOARD INFILL: MECHANICALLY FASTEN INFILL GYPSUM BOARD WITH ANCHORS SPACED NOT MORE THAN 16-INCHES ON CENTER THROUGHOUT FIELD OR BOARD AND 20-INCHES ON CENTER AROUND PERIMETER. THEN USE INFILL PLASTER MATERIALS UNDER BOARD TO HEAVILY ADHESIVE TO PROVIDE BOND TO EXISTING BOARD OR TO ESTABLISH UNIFORM FACE-PLANE OF INFILL BOARD.
1. USE INFILL PLASTER MATERIALS TO FILL JOINTS IN BOARD AND JOINTS BETWEEN INFILL BOARDS AND EXISTING PLASTER. REDUCE ALL JOINTS, GAPS AND DISCREPANCIES TO DIMENSIONS THAT WILL BE CONCEALED BY THE FIBERGLASS CANVASING SYSTEM.
2. INFILL VENEER PLASTER ON FACE OF INFILL BOARDS AS NECESSARY TO INFILL MATERIALS WITH PLANE OF ADJACENT PLASTER.
G. FIBERGLASS CANVASING SYSTEM: PERFORM SUBSTRATE REPAIRS FOLLOWING INSTALLATION INSTRUCTIONS AND RECOMMENDATION OF THE CANVASING SYSTEM MANUFACTURER FOR THE CONDITIONS AND SUBSTRATES AND REPAIRS EXISTING IN THE WORK.

SECTION 09130 - MAINTENANCE OF METAL CEILING

- 1.1 GENERAL AND HISTORIC REQUIREMENTS
A. WORK SHALL COMPLY WITH OWNERS HISTORIC PRESERVATION TAX CREDIT PROGRAM, COMPLY WITH CERTIFICATION APPLICATION PART 2 DOCUMENTS AND NPS PRESERVATION BRIEF, INCLUDING PRESERVATION BRIEF NO. 42.
B. REMOVAL AND SALVAGE OF EXISTING CEILING PANELS: REFER TO SECTION 013391. PHOTOGRAPH PROCESS AND SUBMIT TO ARCHITECT FOR APPROVAL PRIOR TO BEGINNING NEW WORK.
1.2 METAL CEILING PATCH REPAIRS
A. PATCHING SHEET METAL OF TYPE AND THICKNESS THAT MATCHES EXISTING.
B. METAL CEILING TWO-PART, NON-SHINK AUTOMOTIVE BODY FILLER (METAL OR FIBERGLASS-BASED REPAIR ADHESIVE FILLER).
C. FASTENERS: MATCH EXISTING WITH SIMILAR TYPE, MATERIAL, AND SURFACE FINISH. SUBMIT ALTERNATIVE SUBSTITUTIONS FOR APPROVAL BY ARCHITECT.
D. METAL CEILING FIBERGLASS FIBER REPAIRS: USE WESH-CLOTH OR SIZE AND DENSITY THAT FACILITATES ADHERENCE TO EXISTING SURFACES, DOES NOT CAUSE ALLERGIC REACTION, AND PROVIDES SUITABLE SUBSTRATE FOR METAL FILLER MATERIALS.
E. INSTALL SANITIZED-CEILING PANELS IN AREAS AS INDICATED USING SIMILAR FASTENING METHODS AS EXISTING CEILING.
1.3 METAL CEILING CLEANING, REPAIR AND PRIME PAINTING
A. CLEANING AND ADHESIVE: FOLLOW MANUFACTURER'S WRITTEN INSTRUCTIONS.
B. SUBSTRATE REPAIR: REPAIR OR REPLACE DAMAGED, OR MISSING SURFACES WHICH MINIMIZES THE EXTENT OF EXISTING CEILING REMOVAL. MATCH EXISTING SUPPORT MEMBERS.
C. METAL CLEANING AND REMOVAL: DO NOT DAMAGE EXISTING SURFACES. COMPLY WITH APPLICABLE PORTIONS OF SECTION 09017.
D. METAL PATCHING.
1. INSERT METAL PATCH IN HOLE IN A MANNER THAT IS CAN BE ADHERED TO THE BACK OF THE METAL CEILING PANEL. SEAL METAL EDGES BEFORE PRIME AND PAINTING.
2. PANEL SEAL, METAL BACKING FABRIC AND ADHESIVE SHOULD BE BACKSIDE OF METAL CEILING PANEL. APPLY

- METAL FLOOR SPREADING AND SMOOTHING TO EDGES OF THE HOLE, SAND AND RE-APPLY FILLER AS NEEDED FOR COMPLETE PATCH THAT BLENDS WITH EXISTING SURFACES.
E. FASTENING: EXAMINE EXISTING CONDITIONS AND REPLACE LOOSE AND DEFECTIVE FASTENERS.
F. PRIME IMMEDIATELY AFTER CLEANING AND RUST REMOVAL TO PREVENT RUST. DO NOT TOUCH CLEANED METAL SURFACE UNTIL PRIMED. COMPLY WITH APPLICABLE REQUIREMENTS OF SECTION 091010 PAINTING.

SECTION 09014 - WOOD FLOOR REFINISHING

- 1.1 GENERAL AND HISTORIC REQUIREMENTS
A. WORK SHALL COMPLY WITH OWNERS HISTORIC PRESERVATION TAX CREDIT PROGRAM. REFER TO APPROVED CERTIFICATION APPLICATION PART 2 DOCUMENTS, COMPLY WITH REQUIREMENTS OF NATIONAL PARKS SERVICE (NPS) PRESERVATION BRIEF NO. 21.
B. QUALITY STANDARD: ANAMA/CMAA'S "ARCHITECTURAL WOODWORK STANDARDS" (AWS); GRADE: CUSTOM. COMPLY WITH REQUIREMENTS IN SECTION 5.5.
C. MOCPUK: PREPARE 8 BY 8 FT MOCPUK OF REFINISHED WOOD FLOOR IN AREA DESIGNATED BY ARCHITECT.
D. HEAVY DUTY MAGNETIC CATCHES.
E. HARDWARE SET "T" - BIFOLD DOORS.
1. USE REFINISHED SALVAGE MATERIAL WHERE POSSIBLE.
2. POLYURETHANE FINISH: HIGH STRENGTH 12 FINISH-BASED SYSTEM, SAITS, SEALS, OR COMPARABLE COMPOSITIONS, AS RECOMMENDED BY WATER-BASED MANUFACTURER FOR APPLICATION INDICATED.
1.2 PREPARATION AND FINISHING
A. REPAIR AND REPLACE EXISTING DAMAGED AND MISSING FLOORING, MANAGING EXISTING PATTERN: ALIGNED END JOINTS NOT ACCEPTABLE.
B. MACHINE-SAND FLOORING TO REMOVE OFFSETS, RIDGES, CUPS, AND SANDING MACHINE MARKS THAT WOULD BE NOTICEABLE AFTER FINISHING.
C. VACUUM AND JACK WITH A CLEAN GUN IMMEDIATELY BEFORE APPLYING FINISH, COMPLY WITH APPLICABLE RECOMMENDATIONS IN NHPA'S "INSTALLATION GUIDELINES".
D. BORED DECKJOINT: EXTERIOR KEY OPERATED WITH INTERIOR TRIMMUB TURN.
E. DOOR VIEWER.
F. FLOOR OR WALL STOP.
G. THRESHOLD AND NUMBERING.
7. IDENTIFICATION NUMBERING: 2-INCH MINIMUM HEIGHT.
8. HARDWARE SET "B" - UNIT BATHROOM AND BEDROOM DOORS:
1. HINGES.
C. HARDWARE SET "C" - CLOSET, PANTRY, LINEN, INTERIOR STORAGE, AND MECHANICAL, LAUNDRY AND UTILITY ROOM DOORS:
1. HINGES.
2. BORED PASSAGE OR CLOSET LATCH (F75).
3. FLOOR OR WALL STOP.
D. HARDWARE SET "X" - PAIRED CLOSET, INTERIOR STORAGE, LAUNDRY ROOM DOORS:
1. HINGES.
2. HEAVY DUTY MAGNETIC CATCHES.
3. FLOOR OR WALL STOP.
E. HARDWARE SET "Y" - BIFOLD DOORS.
1. BIFOLD DOOR SET INCLUDING OVERHEAD TRACK, HANGERS, PIVOTS, HINGES, AND KNOBS.
F. HARDWARE SET "Z" - BIFASSING DOORS.
1. BIFASSING SLIDING DOOR SET INCLUDING OVERHEAD TRACK, HANGERS, FLOOR GUIDE, AND FLUSH PLILLS.

ACCESS CONTROL

- A. ELECTRIC LOCK TIED TO INTERCOM, BASIS OF DESIGN: SALTO DESIGN X3 WALL READER AT BUILDING ENTRY LOCATIONS.

DWELLING UNIT HARDWARE SETS

- A. HARDWARE SET "E" - UNIT ENTRY DOORS:
1. HINGES: PROVIDE SPRING HINGES FOR RATED DOORS
2. BORED LOCKSET.
3. BORED DECKJOINT: EXTERIOR KEY OPERATED WITH INTERIOR TRIMMUB TURN.
4. DOOR VIEWER.
5. FLOOR OR WALL STOP.
6. THRESHOLD AND NUMBERING.
7. IDENTIFICATION NUMBERING: 2-INCH MINIMUM HEIGHT.
8. HARDWARE SET "B" - UNIT BATHROOM AND BEDROOM DOORS:
1. HINGES.
C. HARDWARE SET "C" - CLOSET, PANTRY, LINEN, INTERIOR STORAGE, AND MECHANICAL, LAUNDRY AND UTILITY ROOM DOORS:
1. HINGES.
2. BORED PASSAGE OR CLOSET LATCH (F75).
3. FLOOR OR WALL STOP.
D. HARDWARE SET "X" - PAIRED CLOSET, INTERIOR STORAGE, LAUNDRY ROOM DOORS:
1. HINGES.
2. HEAVY DUTY MAGNETIC CATCHES.
3. FLOOR OR WALL STOP.
E. HARDWARE SET "Y" - BIFOLD DOORS.
1. BIFOLD DOOR SET INCLUDING OVERHEAD TRACK, HANGERS, PIVOTS, HINGES, AND KNOBS.
F. HARDWARE SET "Z" - BIFASSING DOORS.
1. BIFASSING SLIDING DOOR SET INCLUDING OVERHEAD TRACK, HANGERS, FLOOR GUIDE, AND FLUSH PLILLS.

SECTION 092116 - GYPSUM BOARD SHIRT WALL ASSEMBLIES

- 1.1 PERFORMANCE REQUIREMENTS
A. FIRE-RESISTANCE RATING ASSEMBLIES: PROVIDE MATERIALS AND CONSTRUCTION IDENTICAL TO THOSE TESTED IN ASSEMBLY INDICATED ACCORDING TO ASTM E 119 BY AN INDEPENDENT TESTING AGENCY.
B. STC-RATED ASSEMBLIES: PROVIDE MATERIALS AND CONSTRUCTION IDENTICAL TO THOSE OF ASSEMBLIES TESTED ACCORDING TO ASTM E 90 AND CLASSIFIED ACCORDING TO ASTM E413 BY A TESTING AND INSPECTING AGENCY, STC RATING: S1, MINIMUM.
1.2 GYPSUM BOARD SHIRT WALL ASSEMBLIES
A. GYPSUM SHUTTER BOARD: TYPE A, ASTM C1394/C1394M. MANUFACTURERS PROPRIETARY FIRE-RESISTIVE LAYER WITH PAPER FACES, 1 INCH THICK, WITH DOUBLE VENEER LONG EDGES.
B. MOISTURE AND MOLD-RESISTANT TYPE A, ASTM C1394/C1394M. MANUFACTURERS PROPRIETARY FIRE-RESISTIVE LAYER WITH PAPER FACES, 1/2 INCH THICK, WITH DOUBLE VENEER LONG EDGES.
C. TYPE A, ASTM C1394/C1394M. MANUFACTURERS PROPRIETARY FIRE-RESISTIVE LAYER WITH PAPER FACES, 1 INCH THICK, AND WITH DOUBLE VENEER LONG EDGES.
D. TYPE A, ASTM C1394/C1394M. MANUFACTURERS PROPRIETARY FIRE-RESISTIVE LAYER WITH PAPER FACES, 1 INCH THICK, AND WITH DOUBLE VENEER LONG EDGES.
E. STUDS: MANUFACTURERS STANDARD PROFILE FOR REPETITIVE, CORNER, AND END MEMBERS, MINIMUM METAL THICKNESS: 0.030 INCH; DEPTH: AS INDICATED ON DRAWINGS.
F. RUNNER TRACKS: MANUFACTURERS STANDARD, APPROXIMATE TRACK METAL THICKNESS MATCHING STEEL STUDS.
F. FIRESTOP TRACKS: TOP RUNNER MANUFACTURED TO ALLOW STRUCTURE MOVEMENT WHILE MAINTAINING COMPARITY OF FIRE-RATED ASSEMBLY.
1.3 INSTALLATION
A. GENERAL: INSTALL GYPSUM BOARD SHIRT WALL ASSEMBLIES TO COMPLY WITH REQUIREMENTS OF FIRE-RESISTANCE RATED ASSEMBLIES IDENTIFIED AND MANUFACTURERS WRITTEN INSTALLATION INSTRUCTIONS.
B. SQUARE THE EDGES OF GYPSUM PANELS FROM BUILDING STRUCTURE TO PREVENT CRACKING OF PANELS WHILE MAINTAINING CONTINUITY OF FIRE-RATED CONSTRUCTION.
C. FIRESTOP TRACKS: WHERE INDICATED, INSTALL TO MAINTAIN CONTINUITY OF FIRE-RESISTANCE RATED ASSEMBLY INDICATED.
D. CONTROL JOINTS: INSTALL CONTROL JOINTS ACCORDING TO ASTM C840 AND A SPECIFIC LOCATION AS APPROVED BY ARCHITECT WHILE MAINTAINING FIRE-RESISTANCE RATING OF GYPSUM BOARD SHIRT WALL ASSEMBLIES.
1.4 MATERIALS
A. FIRE-RESISTANCE RATED ASSEMBLIES: PROVIDE MATERIALS AND CONSTRUCTION IDENTICAL TO THOSE TESTED IN ASSEMBLY INDICATED ACCORDING TO ASTM E 119 BY AN INDEPENDENT TESTING AGENCY.
1.2 BOARD MATERIALS
A. GYPSUM BOARD, TYPE X: ASTM C1396. MANUFACTURED TO BE INCREASED FIRE-RESISTIVE CAPABILITY, LONG EDGES: TAPERED.
B. GYPSUM BOARD, TYPE C: ASTM C1396. MANUFACTURED TO BE INCREASED FIRE-RESISTIVE CAPABILITY, LONG EDGES: TAPERED.
C. HOLD-IN-PLACE GYPSUM BOARD: PAPER-FACE PRODUCTS NOT PERMITTED. INSTALL GLASS-MAT PAPERLESS GYPSUM BOARD IN USE OF PAPER-FACE BOARD.
D. GLASS-MAT PAPERLESS GYPSUM BOARD: ASTM C1458, WITH FIBERGLASS MAT LAMINATED TO BOTH SIDES AND WITH MANUFACTURERS STANDARD EDGES. CORNER: INCH, 1/2 INCH.
1. MOLD RESISTANCE: ASTM D3723. SCORE OF 10 AS RATED ACCORDING TO ASTM D3724.
2. APPLICATION: INSTALL AT INTERIOR WALLS AND CEILING WITHIN 4 FT OF PLUMBING (SUPPLY) INTAKE AND WATER SOURCE, AND LOCATIONS INDICATED ON DRAWINGS, COMPLY WITH OPA DESIGN ARCHITECTURAL STANDARDS 2017.
E. CEILING JOINTS: USE SEALANT AND ANCHOR. APPROXIMATE TRACK METAL THICKNESS MATCHING STEEL STUDS. STANDARD EDGES: THICKNESS: 5/8 INCH.
1. MOLD RESISTANCE: ASTM D3723. SCORE OF 10 AS RATED ACCORDING TO ASTM D3724.
1.5 AUXILIARY MATERIALS
A. EXTERIOR TRIM: ASTM C1047.
B. JOINT TREATMENT MATERIALS: ASTM C475.
C. STEEL DRIE SCREWS: ASTM C1002. FOR FASTENING CEILING/ROOF BACKER UNITS, USE SCREWS OF TYPE AND SIZE AS SPECIFIED IN WRITER'S SPECIFICATIONS.
D. SOUND-ATTENUATION BLANKETS: ASTM C656, TYPE 1.
E. ACoustICAL SEALANT: SECTION 092900 JOINT SEALANTS".
1.6 INSTALLATION AND REPAIRS
A. GENERAL: COMPLY WITH ASTM C840.
B. GYPSUM BOARD FINISH LEVELS: ASTM C840.
1. LEVEL 1: FINISH: FINISH PRIMER.
2. LEVEL 2: PANELS THAT ARE SUBSTRATE FOR TILE.
3. LEVEL 3: AT PANEL SURFACES THAT WILL BE EXPOSED TO VIEW UNLESS OTHERWISE INDICATED.
SECTION 092900 - JOINT SEALANTS

- 1.1 PERFORMANCE REQUIREMENTS
A. FIRE-RESISTANCE RATED ASSEMBLIES: PROVIDE MATERIALS AND CONSTRUCTION IDENTICAL TO THOSE TESTED IN ASSEMBLY INDICATED ACCORDING TO ASTM E 119 BY AN INDEPENDENT TESTING AGENCY.
1.2 BOARD MATERIALS
A. GYPSUM BOARD, TYPE X: ASTM C1396. MANUFACTURED TO BE INCREASED FIRE-RESISTIVE CAPABILITY, LONG EDGES: TAPERED.
B. GYPSUM BOARD, TYPE C: ASTM C1396. MANUFACTURED TO BE INCREASED FIRE-RESISTIVE CAPABILITY, LONG EDGES: TAPERED.
C. HOLD-IN-PLACE GYPSUM BOARD: PAPER-FACE PRODUCTS NOT PERMITTED. INSTALL GLASS-MAT PAPERLESS GYPSUM BOARD IN USE OF PAPER-FACE BOARD.
D. GLASS-MAT PAPERLESS GYPSUM BOARD: ASTM C1458, WITH FIBERGLASS MAT LAMINATED TO BOTH SIDES AND WITH MANUFACTURERS STANDARD EDGES. CORNER: INCH, 1/2 INCH.
1. MOLD RESISTANCE: ASTM D3723. SCORE OF 10 AS RATED ACCORDING TO ASTM D3724.
2. APPLICATION: INSTALL AT INTERIOR WALLS AND CEILING WITHIN 4 FT OF PLUMBING (SUPPLY) INTAKE AND WATER SOURCE, AND LOCATIONS INDICATED ON DRAWINGS, COMPLY WITH OPA DESIGN ARCHITECTURAL STANDARDS 2017.
E. CEILING JOINTS: USE SEALANT AND ANCHOR. APPROXIMATE TRACK METAL THICKNESS MATCHING STEEL STUDS. STANDARD EDGES: THICKNESS: 5/8 INCH.
1. MOLD RESISTANCE: ASTM D3723. SCORE OF 10 AS RATED ACCORDING TO ASTM D3724.
1.5 AUXILIARY MATERIALS
A. EXTERIOR TRIM: ASTM C1047.
B. JOINT TREATMENT MATERIALS: ASTM C475.
C. STEEL DRIE SCREWS: ASTM C1002. FOR FASTENING CEILING/ROOF BACKER UNITS, USE SCREWS OF TYPE AND SIZE AS SPECIFIED IN WRITER'S SPECIFICATIONS.
D. SOUND-ATTENUATION BLANKETS: ASTM C656, TYPE 1.
E. ACoustICAL SEALANT: SECTION 092900 JOINT SEALANTS".
1.6 INSTALLATION AND REPAIRS
A. GENERAL: COMPLY WITH ASTM C840.
B. GYPSUM BOARD FINISH LEVELS: ASTM C840.
1. LEVEL 1: FINISH: FINISH PRIMER.
2. LEVEL 2: PANELS THAT ARE SUBSTRATE FOR TILE.
3. LEVEL 3: AT PANEL SURFACES THAT WILL BE EXPOSED TO VIEW UNLESS OTHERWISE INDICATED.

SECTION 092900 - JOINT SEALANTS

- 1.1 PERFORMANCE REQUIREMENTS
A. FIRE-RESISTANCE RATED ASSEMBLIES: PROVIDE MATERIALS AND CONSTRUCTION IDENTICAL TO THOSE TESTED IN ASSEMBLY INDICATED ACCORDING TO ASTM E 119 BY AN INDEPENDENT TESTING AGENCY.
1.2 BOARD MATERIALS
A. GYPSUM BOARD, TYPE X: ASTM C1396. MANUFACTURED TO BE INCREASED FIRE-RESISTIVE CAPABILITY, LONG EDGES: TAPERED.
B. GYPSUM BOARD, TYPE C: ASTM C1396. MANUFACTURED TO BE INCREASED FIRE-RESISTIVE CAPABILITY, LONG EDGES: TAPERED.
C. HOLD-IN-PLACE GYPSUM BOARD: PAPER-FACE PRODUCTS NOT PERMITTED. INSTALL GLASS-MAT PAPERLESS GYPSUM BOARD IN USE OF PAPER-FACE BOARD.
D. GLASS-MAT PAPERLESS GYPSUM BOARD: ASTM C1458, WITH FIBERGLASS MAT LAMINATED TO BOTH SIDES AND WITH MANUFACTURERS STANDARD EDGES. CORNER: INCH, 1/2 INCH.
1. MOLD RESISTANCE: ASTM D3723. SCORE OF 10 AS RATED ACCORDING TO ASTM D3724.
2. APPLICATION: INSTALL AT INTERIOR WALLS AND CEILING WITHIN 4 FT OF PLUMBING (SUPPLY) INTAKE AND WATER SOURCE, AND LOCATIONS INDICATED ON DRAWINGS, COMPLY WITH OPA DESIGN ARCHITECTURAL STANDARDS 2017.
E. CEILING JOINTS: USE SEALANT AND ANCHOR. APPROXIMATE TRACK METAL THICKNESS MATCHING STEEL STUDS. STANDARD EDGES: THICKNESS: 5/8 INCH.
1. MOLD RESISTANCE: ASTM D3723. SCORE OF 10 AS RATED ACCORDING TO ASTM D3724.
1.5 AUXILIARY MATERIALS
A. EXTERIOR TRIM: ASTM C1047.
B. JOINT TREATMENT MATERIALS: ASTM C475.
C. STEEL DRIE SCREWS: ASTM C1002. FOR FASTENING CEILING/ROOF BACKER UNITS, USE SCREWS OF TYPE AND SIZE AS SPECIFIED IN WRITER'S SPECIFICATIONS.
D. SOUND-ATTENUATION BLANKETS: ASTM C656, TYPE 1.
E. ACoustICAL SEALANT: SECTION 092900 JOINT SEALANTS".
1.6 INSTALLATION AND REPAIRS
A. GENERAL: COMPLY WITH ASTM C840.
B. GYPSUM BOARD FINISH LEVELS: ASTM C840.
1. LEVEL 1: FINISH: FINISH PRIMER.
2. LEVEL 2: PANELS THAT ARE SUBSTRATE FOR TILE.
3. LEVEL 3: AT PANEL SURFACES THAT WILL BE EXPOSED TO VIEW UNLESS OTHERWISE INDICATED.

- HYDRAULIC-CEMENT-BASED FORMULATION PROVIDED OR APPROVED BY FLOOR TILE MANUFACTURER FOR APPLICATIONS INDICATED.
C. FINISHING: EXAMINE EXISTING CONDITIONS AND REPLACE LOOSE AND DEFECTIVE FASTENERS.
F. PRIME IMMEDIATELY AFTER CLEANING AND RUST REMOVAL TO PREVENT RUST. DO NOT TOUCH CLEANED METAL SURFACE UNTIL PRIMED. COMPLY WITH APPLICABLE REQUIREMENTS OF SECTION 091010 PAINTING.

1.3 PREPARATION

- B. CONCRETE AND GYPSUM CEILING SUBSTRATES: PREPARE ACCORDING TO ASTM F 710 AND F 2419, INCLUDING INCLUDING ALCALAKALITY AND ADHESION TESTING. MOISTURE TESTING ASTM F 1849. RELATIVE HUMIDITY TEST ASTM F 2106.
C. INSTALL TROWELABLE LEVELING AND PATCHING COMPOUND TO PRODUCE A UNIFORM AND SMOOTH SURFACE.
1.4 FLOOR TILE INSTALLATION
A. COMPLY WITH MANUFACTURERS WRITTEN INSTRUCTIONS FOR INSTALLING FLOOR TILE.
B. ADHERE FLOOR TILES TO FLOORING SUBSTRATES USING A FULL SPREAD OF ADHESIVE APPLIED TO SUBSTRATE TO PRODUCE A COMPLETELY FLAT SURFACE. REFER TO SECTION 090900, PHOTOGRAPH PROCESS AND SUBMIT TO ARCHITECT FOR APPROVAL PRIOR TO BEGINNING NEW WORK.

SECTION 091010 - PAINTING

- 1.1 HISTORIC REQUIREMENTS
A. NOTIFY ARCHITECT SEVEN DAYS BEFORE THE SCHEDULED START OF PAINTING EXISTING REPAIRED MASONRY SURFACES SO THAT ARCHITECT CAN DOCUMENT CURRENT EXISTING CONDITIONS FOR REPORTING TO NHPA.
COMPLY WITH ARCHITECT'S REQUEST FOR INFORMATION REGARDING CURRENT EXISTING CONDITIONS FOR REPORTING TO NHPA.
1.2 PAINT PRODUCTS
A. MANUFACTURER: PPG ARCHITECTURAL FINISHES, INC.
B. INTERIOR PAINT, COATINGS, AND PRIMERS: VOC CONTENT LESS THAN OR EQUAL TO SCQM01113 THRESHOLD REFER TO SECTION 01113.
1.3 PREPARATION AND APPLICATION
A. PREPARATION AND APPLICATION: COMPLY WITH MANUFACTURERS WRITTEN INSTRUCTIONS AND RECOMMENDATIONS IN NHPA ARCHITECTURAL FINISHING SPECIFICATION MANUAL, APPLICABLE TO SUBSTRATES AND PAINT SYSTEMS INDICATED, NHPA PAINT GRADE: PREMIUM, APPLY 2 TOPCOATS MINIMUM.
B. PAINT EXPOSED CONDITIONS: PIPS, DUCTWORK, ETC. MATCH COLOR OF ADJACENT SURFACES.
1.4 EXTERIOR PAINTING SCHEDULE
A. BRICK, BLOCK, AND CONCRETE FINISHING RE-COAT
1. PRIMER AND TOPCOAT, NHP 111: PPG PERMANIZER EXTERIOR 100S, ACRYLIC LATEX, SEMI-GLOSS (100), 7.9-10.0 SERIES.
2. COAT: REPAIR COATING, TRIMS, PANELS, ETC.
1. PRIMER AND TOPCOAT, NHP 110: PPG SPEEDHIE EXTERIOR ACRYLIC LATEX.
C. EXISTING STEEL AND METAL FABRICATIONS: RE-COAT (FIRE ESCAPES, CORNICES, CAST IRON, ETC.)
3. PRIMER AND TOPCOAT, NHP #29: PPG MULTIPRIME 4147 (EQUIVALENT 4145).
2. TOPCOAT: MPI #72: PPG SIL-SHIELD HIGH-GLOSS SILICONE ANIODE ENAMEL.
D. NEW STEEL AND METAL FABRICATIONS (HANDRAILS, POSTS AND RAILINGS, ETC.)
1. PRIMER AND TOPCOAT, NHP #29: PPG MULTIPRIME 4147 (EQUIVALENT 4145).
2. TOPCOAT: MPI #72: PPGPHIATANE ULTRA ULTRA-WEATHER.
E. DRESSED LUMBER (TRIM, ETC.)
1. TOPCOAT: MPI #154: STAIN, EXTERIOR, WATER-BASED, SEMI-TRANSPARENT
a. PPG ULTIMAX MAXIMUM DECK, FENCE & SIDING SEMI-TRANSP, STAIN (233) 79550
1.5 INTERIOR PAINTING SCHEDULE
A. STEEL AND METAL FABRICATIONS
1. PRIMER: MPI #107: PRIMA-SEAL INHIBITIVE, WATER-BASED:
a. PPG, HIT-RICH PLUS INFLEX DUAL INDUSTRIAL PRIMER, WHITE (90) 90-912
2. TOPCOAT: MPI #160: ALLOYD, WATER-BASED, SEMI-GLOSS, [GLOSS LEVEL] 5:
a. PPG SPEEDHIE INTERIOR ACRYLIC LATEX, EGGSHELL (44) 6-11510
B. FINISH LUMBERS (INCLUDING DOORS, DOOR AND WINDOW FRAMES, MOLDINGS, PANELING, ETC.)
1. PRIMER: MPI #309: PRIMER, LATEX, INTERIOR, WOOD.
2. TOPCOAT: MPI #154: LATEX, EXTERIOR, SEMI-GLOSS, [GLOSS LEVEL] 5:
a. PPG SPEEDHIE (44) 6-3311
3. TOPCOAT: EGGSHELL, SEMI-LATEX, INTERIOR, EGGSHELL (44) 6-2
4. TOPCOAT: SEMI-GLOSS: MPI #54: LATEX, INTERIOR, SEMI-GLOSS, [GLOSS LEVEL] 5:
a. PPG SPEEDHIE (44) 6-3311
b. BMC SUPER SHEG GREEN (42) 782
c. PPG SPEEDHIE (44) 6-5000
3. TOPCOAT: EGGSHELL, SEMI-LATEX, INTERIOR, EGGSHELL (44) 6-2
4. TOPCOAT: SEMI-GLOSS: MPI #54: LATEX, INTERIOR, SEMI-GLOSS, [GLOSS LEVEL] 5:
a. BMC SUPER SHEG GREEN (42) 782
b. PPG SPEEDHIE (44) 6-5000
c. SPC: PR

ARCHITECTURAL SPECIFICATIONS (SUSTAINABILITY DESIGN REQUIREMENTS)

SECTION 01113
 1. SUBMIT PHASE 1 ENVIRONMENTAL SITE ASSESSMENT REPORT TO GREEN VERIFIER/VERIFIER AN ENVIRONMENTAL SITE ASSESSMENT REVEALS ANY HAZARDOUS MATERIALS. MITIGATE THESE BEFORE PROCEEDING WITH DEVELOPMENT.

SUSTAINABILITY DESIGN REQUIREMENTS

PART 1 GENERAL

- GENERAL CONDITIONS**
- A. THE GENERAL CONDITIONS, MODIFICATIONS TO GENERAL CONDITIONS, SUPPLEMENTARY OR SPECIAL CONDITIONS AND ANY INSTRUCTIONS TO BIDDERS SHALL APPLY TO ALL DIVISIONS OF WORK.
- B. THE REQUIREMENTS OF STATE, LOCAL OR APPROPRIATE CODES APPLICABLE TO THE WORK, WHICHEVER IS THE MOST STRINGENT IS A REQUIREMENT OF ALL DIVISIONS OF WORK.
- WORK OF THIS SECTION**
- A. SECTION INCLUDES:
- SUSTAINABLE PROJECT GOALS
 - ENTERPRISE GREEN COMMUNITIES CERTIFICATION REQUIREMENTS
- B. THE INTENT OF THIS PROJECT IS TO ACHIEVE AN ENTERPRISE GREEN COMMUNITIES 2020 CERTIFICATION.
- C. CONTRACTOR SHALL COORDINATE WORK AND REQUIREMENTS WITH OWNER CONTRACTED GREEN RATER/VERIFIER FOR GREEN CERTIFICATION, FERMENT TO GREEN CERTIFICATION THE ROLE OF THE GREEN RATER/VERIFIER IS TO GUIDE THE CONSTRUCTION TEAM WITH CERTIFICATION PROCESS, REVIEW DOCUMENTATION, VERIFY GREEN REQUIREMENTS ARE MET, AND TO PERFORM THIRD-PARTY TESTING.
- D. CONTRACTOR SHALL OBTAIN ENERGY STAR NATIONAL RATE FIELD CHECKLIST FROM GREEN RATER/VERIFIER.

- REFERENCES**
- A. AMERICAN SOCIETY OF HEATING, REFRIGERATING AND AIR-CONDITIONING ENGINEERS:
- ASHRAE 22.2 - METHOD OF MECHANICAL VENTILATION AIR-CLEANING DEVICES FOR REMOVAL EFFICIENCY BY PARTICLE SIZE.
 - ASHRAE 62.1 - VENTILATION FOR ACCEPTABLE INDOOR AIR QUALITY.
 - ASHRAE 90.1 - ENERGY EFFICIENT DESIGN OF NEW BUILDINGS EXCEPT LOW-RISE RESIDENTIAL BUILDINGS.
 - ASHRAE 129 - MEASURING AIR CHANGE EFFECTIVENESS.

- B. ASTM INTERNATIONAL:
- ASTM E808 - STANDARD TEST METHODS FOR TOTAL NORMAL EMITTANCE OF SURFACES USING INSPECTION-METER TECHNIQUES.
 - ASTM E903 - STANDARD TEST METHOD FOR SOLAR ABSORPTION, REFLECTANCE, AND TRANSMITTANCE OF MATERIALS USING INTEGRATING SPHERES.
- C. FOREST STEWARDSHIP COUNCIL/FSC GUIDELINES - FOREST STEWARDSHIP COUNCIL GUIDELINES.

- D. SHEET METAL AND AIR-CONDITIONING CONTRACTORS (SMACNA) IAQ - IAQ GUIDELINES FOR OCCUPIED BUILDINGS UNDER CONSTRUCTION.
- E. SOUTH COAST AIR QUALITY MANAGEMENT DISTRICT: SCAQMD Rule 1168 - ADHESIVE AND SEALANT APPLICATIONS.
- F. SOUTH COAST AIR QUALITY MANAGEMENT DISTRICT: SCAQMD Rule 1113 - INTERIOR PAINTS, COATINGS, AND PRIMERS.
- G. SCS GLOBAL SERVICES RECYCLED CONTENT CERTIFICATION
- H. CALIFORNIA DEPARTMENT OF PUBLIC HEALTH (CDPH) EMISSION STANDARD, FORMERLY CALIFORNIA 01350 -VOC EMISSION LIMITS
- I. CARB PHASE 2 - COMPOSITE WOOD FORMALDEHYDE EMISSIONS TESTING STANDARD
- J. AMERICAN NATIONAL STANDARDS INSTITUTE (ANSI) / AMERICAN WATER WORKS ASSOCIATION (AWWA) C810-17 STANDARD
- K. NATIONAL POLLUTANT DISCHARGE ELIMINATION SYSTEM (NPDES)'S STORMWATER DISCHARGES FROM CONSTRUCTION ACTIVITIES GUIDANCE
- L. U.S. ENVIRONMENTAL PROTECTION AGENCY:

1. EPA ASSESSING IAQ - TESTING FOR INDOOR AIR QUALITY, BASELINE IAQ, AND MATERIALS SECTION 01144S.
2. EPA 402-401-002 - A STEP-BY-STEP GUIDE ON HOW TO BUILD RADON-RESISTANT HOMES
- M. ENTERPRISE GREEN COMMUNITIES
1. GREEN COMMUNITIES CHECKLIST 2020
2. GREEN COMMUNITIES CRITERIA 2020
- N. ENERGY STAR QUALIFIED HOMES PROGRAM REQUIREMENTS
 HTTPS://WWW.ENERGYSTAR.GOV/PARTNER_RESOURCES/RESIDENTIAL_NEW/HOMES_PROG_REGIS/NATIONAL_PAGE

- SUBMITTALS**
- A. THE CONTRACTOR SHALL SUBMIT THE FOLLOWING ITEMS DIRECTLY TO THE GREEN RATER/VERIFIER.
- B. CONSTRUCTION WASTE DIVERSION RATE (CALCULATION AND/OR WASTE TICKETS)
- C. THE CONTRACTOR SHALL SUBMIT CUT-SHEETS OF PRODUCTS INTENDED TO COMPLY WITH ENVIRONMENTALLY PREFERABLE PRODUCTS (EPP). SEE GREEN COMMUNITIES CHECKLIST SECTION 4 FOR LIST OF PRODUCTS INTENDED TO MEET THIS REQUIREMENT. EPP CRITERIA ARE AS FOLLOWS:
- INGREDIENT TRANSPARENCY FOR MATERIAL HEALTH REQUIREMENT – PUBLICLY DISCLOSED WHERE CONTENT IS CHARACTERIZED AND SCREENED USING HEALTH HAZARD USES OR RESTRICTED SUBSTANCES LIMITS TO 1,000 PPM.
 - RECYCLED CONTENT AND INGREDIENT TRANSPARENCY REQUIREMENT – MINIMUM 25% POST CONSUMER
 - CHEMICAL HAZARD OPTIMIZATION REQUIREMENT – THIRD-PARTY VERIFICATION OF OPTIMIZATION TO 100 PPM.
 - HEALTHY MATERIALS SPECIFICATION REQUIREMENT – SEE SPECIFIC REQUIREMENTS FOR LOW-EMISSION PAINTS, COATINGS, PRIMERS, WALLPAPER, ADHESIVES, SEALANTS, FLOORING, INSULATION, AND COMPOSITE WOOD UNDER CRITERIA 4.4.
 - ENVIRONMENTALLY RESPONSIBLE MATERIAL REQUIREMENT – SEE SPECIFIC REQUIREMENTS FOR EMBEDDED EMISSIONS FOR CONCRETE, STEEL, INSULATION, ROOFING, PAVING, AND NON-COMPOSITE WOOD UNDER CRITERIA 4.5
 - REGIONAL MATERIALS REQUIREMENT – EXTRACTED, MANUFACTURED, AND FABRICATED (ALL PROCESSES) WITHIN 500-MILE CROW-FLY DISTANCE OF SITE.

- QUALITY ASSURANCE**
- A. PERFORM WORK IN ACCORDANCE WITH THE ENTERPRISE GREEN COMMUNITIES CRITERIA FOR PREREQUISITES AND CREDITS PERTINENT TO THIS PROJECT LISTED IN GREEN COMMUNITIES WORKSHEET INCLUDED AT THE END OF THIS SECTION.
- B. MAINTAIN ONE COPY OF GREEN COMMUNITIES CRITERIA ON-SITE. CRITERIA IS AVAILABLE FOR DOWNLOAD AT HTTPS://WWW.ENERGYSTAR.GOV/RESOURCES/RESIDENTIAL_NEW/HOMES_PROG_REGIS/NATIONAL_PAGE
- C. THOROUGHLY REVIEW ANY REQUESTS FOR SUBSTITUTION FOR PRODUCTS THAT ARE RELATED TO ENTERPRISE GREEN COMMUNITIES PREREQUISITES AND CREDITS. ANY SUBSTITUTIONS MAY JEOPARDIZE PROJECTS' ABILITY TO OBTAIN CERTIFICATION.
- D. PERFORM STORM WATER MANAGEMENT AND EROSION CONTROL WORK IN ACCORDANCE WITH EPA BEST MANAGEMENT PRACTICES OR LOCAL EROSION AND SEDIMENTATION CONTROL STANDARDS WHICHEVER IS MORE STRINGENT.
- E. PERFORM WORK TO MEET OR EXCEED MINIMUM ENERGY EFFICIENCY AND PERFORMANCE IN ACCORDANCE WITH ENERGY STAR REQUIREMENTS. ENERGY STAR CHECKLIST IS INCLUDED AT END OF SECTION.
- F. PERFORM WORK WITHOUT USE OF CFC-BASED REFRIGERANTS IN HVAC BUILDING SYSTEMS.
- G. PERFORM VENTILATION WORK IN ACCORDANCE WITH ASHRAE 62.
- H. DEVELOP AND IMPLEMENT CONSTRUCTION-INDOOR AIR QUALITY MANAGEMENT PLAN INCLUDING THE FOLLOWING:
- COMPLY WITH MINIMUM REQUIREMENTS OF SMACNA IAQ.
 - PROTECT STORED AND INSTALLED ABSORPTIVE MATERIALS FROM MOISTURE DAMAGE.
 - STORE MATERIALS ON ELEVATED PLATFORMS UNDER COVER, AND IN DRY LOCATION.
 - WHEN MATERIALS ARE NOT STORED IN ENCLOSED LOCATION, COVER TOPS AND SIDES OF MATERIAL WITH SECURED WATERPROOF SHEETING.
 - PROTECT HVAC EQUIPMENT DURING CONSTRUCTION.
 - SHIFT DOWN RETURN SIDE OF HVAC SYSTEM WHENEVER POSSIBLE DURING HEAVY CONSTRUCTION OR DEMOLITION.
 - WHEN HVAC SYSTEMS ARE OPERATED DURING HEAVY CONSTRUCTION, FURNISH DISPOSABLE TEMPORARY FILTERS.

PART 2 PRODUCTS

PRODUCT SUBSTITUTION
 THROUGHOUT REVIEW ANY REQUESTS FOR SUBSTITUTION FOR PRODUCTS THAT ARE RELATED TO GREEN COMMUNITIES PREREQUISITES AND CREDITS. ANY SUBSTITUTIONS MAY JEOPARDIZE THE PROJECT'S ABILITY TO OBTAIN CERTIFICATION.

PART 3 EXECUTION

- EGC 1.4 INTEGRATIVE DESIGN: CONSTRUCTION MANAGEMENT (MANDATORY)**
- THE OWNER OF CONSTRUCTION ORGANIZE AN ENTERPRISE GREEN COMMUNITIES TRADES TRAINING MODERATED BY GREEN VERIFIER.
 - FOLLOWING TRADES TO ATTEND - GC PROJECT MANAGER, GC SITE SUPERINTENDENT, MECHANICAL-ELECTRICAL, PLUMBING, INSULATION, FRAMING, DRYWALL AIR-INFLTRATION PACKAGE
 - PROVIDE A MINIMUM OF 2-WEEK NOTICE TO GREEN VERIFIER PRIOR TO TRAINING DATE.

- EGC 2.1 SITE SELECTION (MANDATORY)**
 THIS PROJECT DOES NOT HAVE ANY ECOLOGICALLY SENSITIVE FEATURES.
- IF ECOLOGICALLY SENSITIVE FEATURES ARE IDENTIFIED IN THE ECOLOGICAL RESOURCE PROTECTION ZONE (ERPZ) MEET THE FOLLOWING:
- PROTECT FLOODPLAIN FUNCTIONS
 - PROJECTS BUILT ON LAND THAT IS WITHIN THE SPECIAL FLOOD HAZARD AREA (SFHA) AS IDENTIFIED BY FEMA, MUST BE DESIGNED TO MEET THE ASCE 24 FLOOD RESISTANT DESIGN AND CONSTRUCTION STANDARD.
 - ENSURE THAT ANY DEVELOPMENT OR REDEVELOPMENT ACTIVITIES WITHIN THE FLOODPLAIN WILL MITIGATE AND IMPROVE EXISTING FLOODPLAIN CONDITIONS (BARRIERS OR INCREASE EXISTING FLOODPLAIN STORAGE, IMPROVE WATER QUALITY, IMPROVE FLOOD-RESILIENT DESIGN).
 - DO NOT RAISE TOPOGRAPHICAL ELEVATIONS IN FLOOD ZONES.
 - PROTECT AQUATIC ECOSYSTEMS
 - DO NOT DESTROY THE BUILDING, BUILT STRUCTURES, ROADS, OR PARKING AREAS INTO WETLANDS OR DEEPWATER HABITATS, AS IDENTIFIED IN THE ERPZ, BEYOND WHERE THEY ALREADY EXIST.
 - DEVELOP RESTORATION PLANS FOR WETLAND AND DEEPWATER HABITATS WITHIN THE ERPZ.
 - CONSERVE HABITAT FOR ANY SPECIES ON FEDERAL OR STATE THREATENED OR ENDANGERED LISTS
 - DO NOT DESTROY THE BUILDING, BUILT STRUCTURES, ROADS, OR PARKING AREAS INTO HABITATS FOR THREATENED AND ENDANGERED PLANT AND ANIMAL SPECIES ON THE SITE, AS IDENTIFIED IN THE ERPZ.
 - MINIMIZE DISTURBANCES WITHIN THE ERPZ DURING CONSTRUCTION. IF CONSTRUCTION ACTIVITIES PERMANENTLY DISRUPT THE HABITAT OF THREATENED OR ENDANGERED ANIMAL HABITATS, FOLLOW THE GUIDANCE OF RESPONSIBLE STATE (OR LOCAL) AGENCIES ON HOW TO BEST ADDRESS EGC 2.14 LOCAL ECONOMIC DEVELOPMENT AND COMMUNITY WEALTH CREATION
1. CONTRACTOR SHALL DEMONSTRATE THAT LOCAL PREFERENCE FOR CONSTRUCTION EMPLOYMENT AND SUB-CONTRACTOR HIRING WAS PART OF BIDDING PROCESS.

- EGC 3.6 SOUNDING OF HEATING AND COOLING EQUIPMENT (MANDATORY)**
- APPLICABLE TO REHABS THAT INCLUDE REPLACEMENT OF HEATING AND COOLING EQUIPMENT.
- USE AND SELECT HEATING AND COOLING EQUIPMENT IN ACCORDANCE WITH THE AIR-CONDITIONING CONTRACTORS OF AMERICA (ACCA) MANUALS J AND S OR ASHRAE HANDBOOKS.

- EGC 5.7 ENERGY STAR APPLIANCES (MANDATORY)**
- IF REPLACING OR INSTALLING NEW APPLIANCES PROVIDE ENERGY STAR-LABELLED REFRIGERATORS, DISHWASHERS AND CLOSET WASHERS.

- EGC 5.8 LIGHTING (MANDATORY)**

1. SUBMIT PHASE 1 ENVIRONMENTAL SITE ASSESSMENT REPORT TO GREEN VERIFIER/VERIFIER AN ENVIRONMENTAL SITE ASSESSMENT REVEALS ANY HAZARDOUS MATERIALS. MITIGATE THESE BEFORE PROCEEDING WITH DEVELOPMENT.
1. ALL PERMANENTLY INSTALLED FIXTURES SHALL BE HIGH-EFFICIENCY THAT IS CAPABLE OF MEETING RECOMMENDED LIGHT LEVELS IN THE ILLUMINATING ENGINEERING SOCIETY HANDBOOK, 10TH EDITION.
2. RECESSED LIGHT FIXTURES INSTALLED AS PART OF AIR BARRIER SHALL BE INSULATION CONTACT AIR-TIGHT (ICAT)
3. COMMON SPACE LIGHTING OR NON-APARTMENT BUILDING SPACES MUST BE CONTROLLED BY OCCUPANCY SENSORS OR AUTOMATIC DAYLIGHT LIGHTING CONTROLS, EXCEPT 24-HOUR LIGHTING REQUIRED BY CODE.
4. LIGHTING POWER DENSITY IN DWELLING UNITS SHALL BE 1.1 W/SF OR LESS.
5. ALL EXTERIOR LIGHTING SHALL HAVE MOTION SENSOR CONTROLS, INTEGRATIVE P-V CELLS, PHOTOSENSORS, OR ASTRONOMIC TIME-CLOCK OPERATION.
6. EXTERIOR FIXTURES SHALL MEET THE FOLLOWING:
 - a. LUMINAIRES SHALL BE FULLY SHIELDED (SHIRTING NO LIGHT ABOVE 90 DEGREES, THE LUMINAIRE'S MOUNTING HARDWARE SHALL NOT PERMIT MOUNTING BY ANY CONFIGURATION OTHER THAN THOSE MAINTAINING FULL SHIELDING. NON-RESIDENTIAL LUMINAIRES SHALL HAVE AN UPLIGHT RATING OF 0D.
 - b. FIXTURES SHALL HAVE NO SAG OR DROP LENSES, SIDE LIGHT PANELS OR UPLIGHT PANELS.
 - c. FIXTURES SHALL EMPLOY WARM-TONED (3000K OR LOWER) WHITE LIGHT SOURCES OR MAY EMPLOY AMBER LIGHT SOURCES OR FILTERED LED LIGHT SOURCES.

- EGC 3.3 ECOSYSTEM SERVICES/LANDSCAPE (MANDATORY)**
 WHEN NEW LANDSCAPING IS PROVIDED, OR EXISTING LANDSCAPING IS MODIFIED:
1. ALL NEW LANDSCAPING (TREES, SHRUBS, AND GROUNDCOVER, INCLUDING GRASSES) SHOULD BE NATIVE OR ADAPTED TO THE REGION. ALL NEW PLANTS MUST BE APPROPRIATE TO THE SITE'S SOIL AND MICROCLIMATE, AND NONE SHOULD BE INVASIVE SPECIES.
 2. ALL DISTURBED EXISTING LANDSCAPE AREAS SHOULD BE RESEEDED WITH NATIVE GROUNDCOVER OR PLANS AND MULCH.

- EGC 3.4 SURFACE STORMWATER MANAGEMENT (MANDATORY)**
- APPLICABLE TO NEW CONSTRUCTION OR REHAB DISTURBING GREATER THAN 5,000 SQUARE FEET
1. TREAT OR RETAIN, ON SITE, THE PRECIPITATION VOLUME FROM THE 60TH PERCENTILE PRECIPITATION EVENT AS DEFINED BY THE U.S. EPA IN THE TECHNICAL GUIDANCE ON IMPROVING THE STORMWATER RUNOFF REQUIREMENTS FOR FEDERAL PROJECTS UNDER SECTION 408 OF THE ENERGY INDEPENDENCE AND SECURITY ACT.

- EGC 3.6 EFFICIENT IRRIGATION AND WATER USE (MANDATORY)**
 WHEN NEW IRRIGATION SYSTEM IS PROVIDED, OR EXISTING SYSTEM IS MODIFIED:
1. COMPLY WITH ALL LOCAL WATER RESTRICTIONS.
 2. DESIGN IRRIGATION ZONES TO RESPOND TO WEATHER CONSIDERATIONS, SOLAR EXPOSURE, REFLECTED LIGHT/HEAT FROM ADJACENT BUILDING OR HARDSCAPE, SOIL TYPE, TOPOGRAPHY/SLOPE, PLANT MATERIAL.
 3. ESTABLISH IRRIGATION VOLUME AND FREQUENCY PER ZONE TO BE APPROPRIATE FOR THE CLIMATE, SOIL TYPE, AND PLANTS.
 4. SELECT EMISSION DEVICES, VALVES, PIPES, CONTROLLERS, AND SENSORS SUITABLE TO THE LANDSCAPE REQUIREMENTS THAT WILL FACILITATE LONG-TERM RELIABILITY AND SERVICEABILITY.
 5. DESIGN IRRIGATION SYSTEM TO TARGET EACH PLANTING AREA WITH NO OVERSPRAY OF IMPERVIOUS SURFACES OR ADJACENT PLANTING AREAS. PREVENT RUNOFF OF WATER FROM THE SITE.
 6. INSTALL TIMER/CONTROLLER THAT ACTIVATES THE VALVES FOR EACH WATERING ZONE AT THE BEST TIME OF DAY TO MINIMIZE EVAPORATION LOSSES WHILE MAINTAINING HEALTHY PLANTS AND OBTAINING LOCAL REGULATIONS AND WATER-USE GUIDANCE.
 7. INSTALL SOIL MOISTURE SENSOR CONTROLLER PER VEGETATION ZONE OR RAIN DELTA CONTROLLER.

- EGC 4.1.4.2 WATER-CONSERVING FIXTURES (MANDATORY)**
1. SERVICE PRESSURE IN EACH UNIT MUST NOT EXCEED 40 PSI. PROVIDE DOCUMENTATION OF MUNICIPAL WATER SERVICE. GREEN VERIFIER WILL TEST WATER PRESSURE AT UNITS.
 2. FOLLOWING FLOW RATES ARE REQUIRED TO REDUCE TOTAL INDOOR WATER CONSUMPTION BY 30%:
 - TOILETS MUST BE WATERSEAL CERTIFIED AND 1.28 GALLONS PER FLUSH OR LESS, INCLUDING DUAL-FLUSH AND PRESSURE-ASSISTED MODELS.
 - URINALS MUST BE WATERSEAL CERTIFIED AND 0.5 GALLONS PER FLUSH OR LESS.
 - SHOWERHEADS MUST BE WATERSEAL LABELED AND 1.75 GALLONS PER MINUTE OR LESS.
 - KITCHEN FAUCETS MUST BE 1.5 GALLONS PER MINUTE OR LESS.
 - LAVATORY FAUCETS MUST BE WATERSEAL CERTIFIED AND 1.2 GALLONS PER MINUTE OR LESS.

- EGC 4.3 WATER QUALITY (MANDATORY)**
 MANDATORY FOR SUBSTANTIAL REHABS BEFORE 1986. OPTIONAL FOR ALL OTHER PROJECTS
1. REPLACE LEAD SERVICE LINES. DETERMINE WHETHER A LEAD SERVICE LINE (LSL) CONNECTS THE DRINKING WATER MAIN UNDER THE STREET WITH THE BUILDING. IF AN LSL IS PRESENT, REPLACE IT BEFORE OR WHILE REPLACING THE WATER HEATER. FOLLOW LOW AMERICAN NATIONAL STANDARDS INSTITUTE (ANSI) / AMERICAN WATER WORKS ASSOCIATION (AWWA) C810-17 STANDARD WHEN REPLACING THE LSL.

EGC 8.1 BUILDING PERFORMANCE STANDARD (MANDATORY)

ERIC OPTION
 DEMONSTRATE ENERGY PERFORMANCE EQUIVALENT TO A HERS INDEX OF 100; ENERGY ANALYSIS CONDUCTED BY GREEN VERIFIER CONFIRMS THAT THE PROJECT IS BELOW HERS 100 TARGET. ON-SITE POWER GENERATION MAY NOT BE USED TO SATISFY THE MINIMUM ENERGY PERFORMANCE. MEETING ENERGY PERFORMANCE STANDARDS FURTHER REQUIRES MANDATORY INSPECTION AND TESTING CONDUCTED BY OWNER CONTRACTED GREEN RATER/VERIFIER FOR GREEN CERTIFICATION.

- INSULATION**
- IF FIBERGLASS OR MINERAL WOOL BATS ARE USED, THESE MUST BE FORMALDEHYDE-FREE.
- THE PROJECT DOES NOT INCLUDE ANY TWO-PART SPRAY POLYURETHANE FOAM. IF TWO-PART SPRAY POLYURETHANE FOAM IS USED, IT MUST BE FORMALDEHYDE-FREE.
- THE PROJECT DOES NOT INCLUDE ANY POLYISOCYANURATE (PIR) INSULATION THAT DOES NOT CONTAIN HALOGENATED FLAME RETARDANTS. (3 POINTS)

- COMPOSITE WOOD**
- FORMALDEHYDE EMISSIONS LESS THAN OR EQUAL TO THE THRESHOLDS PROVIDED BY CARB PHASE 2 AND/OR TSCA TITLE V FOR WOOD PARTICLEBOARD, MDF, AND THESE MATERIALS WITHIN OTHER PRODUCTS LIKE CABINETS AND DOORS. FOR ANY OTHER COMPOSITE WOOD PRODUCTS NOT COVERED BY CARB/TSCA REQUIREMENTS, THESE ITEMS MUST NOT EXCEED HALF-HOUR ADDED UREA FORMALDEHYDE.
- USE OF COMPOSITE WOODS THAT ARE CERTIFIED ULTRA-LOW EMITTING FORMALDEHYDE (ULEF). 1 POINT PER PRODUCT (2 POINTS MAXIMUM)
- WHILE FINISH PRODUCTS INCLUDING PLYWOOD, WSP, PARTICLEBOARD, AND CABINET AND DOOR COMPOSITES COMPLY BY LAW WITH THIS MANDATORY REQUIREMENT, INSURE THAT ALL PRODUCTS INSTALLED IN THE PROJECT THAT ARE EXPOSED TO THE CONDITIONED SPACE MEET THESE STANDARDS OR A MINIMUM DO NOT INCLUDE ADDED UREA FORMALDEHYDE. NO-ADDED FORMALDEHYDE (NAF) PRODUCTS QUALIFY AS ULEF AND WILL BE ELIGIBLE FOR OPTIMAL POINTS. HOWEVER, BE AWARE THAT THE ALTERNATIVE BINDERS UTILIZED IN THESE PRODUCTS MAY INCLUDE RESPIRABLE SUBSTITUTIONS. FOR INSTANCE, COMMON ALTERNATIVE BINDER FOR COMPOSITE WOOD IS PAF, WHICH IS MADE WITH BIOCYCATENES. PAF IS EXPECTED TO BE A LOWER HAZARD DURING USE THAN FORMALDEHYDE, BUT MORE INFORMATION IS NEEDED. PREFERABLE ALTERNATIVES WOULD BE MORE THAN HALF BIO-BASED (E.G. BINDERS MADE AT LEAST 50% 201) WITH FULL CONTENT DISCLOSURE, SO THEY CAN BE VETTED FOR HEALTH HAZARDS.

- EGC 4.4 HEATHER MATERIAL SELECTION (MANDATORY)**
 USE PRODUCTS THAT COMPLY WITH THE FOLLOWING REQUIREMENTS.
- | PRODUCT CATEGORY | MANDATORY | ADDITIONAL POINTS | REFERENCE |
|---|---|---|--|
| ALL INTERIOR PAINTS, COATINGS, PRIMERS AND WALLPAPER | VOC CONTENT LESS THAN OR EQUAL TO THE THRESHOLD RECENT VERSION OF SCAQMD 1113 AVAILABLE AT TIME OF PRODUCT SPECIFICATION FOR ALL INTERIOR PAINTS, COATINGS AND PRIMERS. VOC EMISSIONS VERIFIED AS COMPLIANT WITH CDPH STANDARD METHOD FOR ALL WALL-FRESH PAINTS, ALL WALLPAPER, PHthalATE FREE | 1 POINT PER APE FREE PAINT, COATING AND/OR PRIMER 1 POINT PER CDPH COMPLIANT COATING AND/OR PRIMER (EXCLUDING WALL FINISH PAINTS) (2 POINTS MAXIMUM) | FOR WALL FINISH PAINTS COMPLIANT WITH THE MANDATORY CDPH COMPLIANCE, USE THOSE CERTIFIED TO MASTER PAINTERS INITIATIVE (MPI) X-GREEN, GREEN WISE GOLD, GREENGUARD GOLD, SCS GREENGUARD GOLD, AND BERKELY ANALYTICAL CLEARCHEM. COMPLY WITH THE OPTIMAL APE-FREE COATING AND/ OR LED-LE-FREE PRODUCTS. |
| ALL INTERIOR ADHESIVES AND SEALANTS | VOC CONTENT LESS THAN OR EQUAL TO THE THRESHOLD RECENT VERSION OF SCAQMD 1118 AVAILABLE AT TIME OF PRODUCT SPECIFICATION FOR ALL INTERIOR ADHESIVES AND SEALANTS. | USE OF SEALANTS THAT DO NOT CONTAIN ORTHOPHTHALATE PLASTICIZERS. USE OF ADHESIVES THAT ARE CDPH COMPLIANT 1 POINT PER COMPLIANT PRODUCT. 2 POINTS MAXIMUM | ORTHOPHTHALATE PLASTICIZERS ARE COMMON IN SEALANTS AND MODIFIED POLYMER ADHESIVES THAT ARE CDPH COMPLIANT. THEY MAY ALSO BE FOUND IN SOME ACRYLIC SEALANTS. VERIFY THAT SPECIFIED SEALANTS ARE PHthalATE-FREE. MINIMIZE THE NEED FOR ADHESIVES WHEN POSSIBLE (FOR INSTANCE, FINGER-JOINS AND MECHANICAL FASTENERS DO NOT CONTAIN CHEMICALS OF CONCERN.) |
| FLOORING | ALL FLOORING PRODUCTS (WHETHER CARPET OR HARD SURFACE) MUST COMPLY WITH CDPH EMISSION REQUIREMENTS. FLOORING NOT FLEXIBLE PVC WITH PHthalATE MAY BE INSTALLED, WHETHER THE PHthalATE IS IDENTIFIED INTERNATIONALLY ADDED OR ADDED VIA RECYCLED CONTENT. NO CARPET IN THE PROJECT MAY BE INSTALLED IN BUILDING ENTRYPWAYS, LAUNDRY ROOMS, BATHROOMS, KITCHENS/KITCHENETTES, OR UTILITY ROOMS. FLUO APPLIED FINISH FLOORS MAY ONLY BE INSTALLED IN NON-OCCUPIED SPACES, SUCH AS MECHANICAL ROOMS. | THE PROJECT COMPLIES WITH ONE OF THE FOLLOWING OPTIONS: ABSENCE OF VINYL FLOORING THROUGHOUT THE PROJECT ABSENCE OF CARPET THROUGHOUT THE PROJECT ALL PROJECT FLOORING ASSEMBLIES (ADHESIVE SEALANT, FLOORING PRODUCT) ARE RED LIST-FREE (3 POINTS) IF USING CARPET, SPECIFY THOSE THAT DO NOT USE A FLUORINATED (PFA) STAIN REPELLANT. 1 POINT | COMMON FLOORING PRODUCT LABELS THAT MEET OR EXCEED THE MANDATORY CDPH EMISSION REQUIREMENT INCLUDE FLOORSCORE, GREEN-GUARD GOLD, SCS GREENGUARD GOLD, BERKELY ANALYTICAL CLEARCHEM, AND CARPET RISE. FLOORING LABEL PLUS (COP) IN PLACE OF VINYL OR OTHER PVC-BASED RESILIENT FLOORING. OTHER FLOORING LABELS THAT MEET OR EXCEED THE MANDATORY CDPH EMISSION REQUIREMENT INCLUDE FLOORSCORE, PRE-FINISHED PRODUCTS, COMPARED TO RECYCLED COTTON, RECYCLED CARPET, KEEP POTENTIAL EXPOSURES TO FLOORING TO A MINOR CONTROLLED ENVIRONMENT DURING FINISHING, IF POSSIBLE. USE A FLOOR SYSTEM THAT CAN FEATURE MECHANICAL ATTACHMENTS (E.G., NAILS, FLOATING FLOORING) INSTEAD OF GLUES. THIS APPROACH MAKES FLOORING EASIER TO RECYCLE IN THE FUTURE. |

- EGC 4.6 BATH, KITCHEN, LAUNDRY SURFACES (MANDATORY)**
1. USE MATERIALS THAT HAVE DURABLE, CLEANABLE SURFACES THROUGH BATHROOMS, KITCHENS, AND LAUNDRY MATERIALS SHOULD NOT BE PRONE TO DETEIORATION DUE TO MOISTURE INTRUSION OR ENCOURAGE THE GROWTH OF MOULD.
 2. USE MOISTURE-RESISTANT BACKING MATERIALS SUCH AS CEMENT BOARD, FIBER CEMENT BOARD, OR EQUIVALENT PER ASTM 4829 OR ASTM 48 3273 BEHIND TUB/SHOWER ENCLOSURES. PROJECTS USING ONE-PIECE FIBERGLASS ENCLOSURE ARE EXEMPT FROM THIS REQUIREMENT.

- EGC 4.8 APPLICABLE MOISTURE FOUNDATIONS (MANDATORY)**
- APPLICABLE WHEN FOUNDATION WORK IS IN SCOPE.
- BENEATH CONCRETE SLABS (INCLUDING THOSE IN BASEMENTS AND CRAWL SPACES)
- OPTION 1
1. INSTALL A CAPILLARY BREAK AS FOLLOWS: 4-INCH LAYER OF ¼-INCH DIAMETER OR GREATER CLEAN AGGREGATE.
 2. IMMEDIATELY ABOVE THE CAPILLARY BREAK, INSTALL AT LEAST 6-MIL POLYETHYLENE SHEETING OVERLAPPED AT LEAST 6 INCHES AT THE SEAMS TO SERVE AS A VAPOR BARRIER IN DIRECT CONTACT WITH THE SLAB ABOVE.
- OPTION 2
1. INSTALL A 4-INCH UNIFORM LAYER OF SAND, OVERLAIN WITH A LAYER OR STRIPS OF GEOTEXTILE DRAINAGE MATTING INSTALLED ACCORDING TO THE MANUFACTURER'S INSTRUCTIONS.
 2. IMMEDIATELY ABOVE THE SAND, OVERLAIN AT LEAST 6-MIL POLYETHYLENE SHEETING OVERLAPPED AT LEAST 6 INCHES AT THE SEAMS TO SERVE AS A VAPOR BARRIER IN DIRECT CONTACT WITH THE SLAB ABOVE.

- EGC 4.9 MANAGING MOISTURE: ROOFING AND WALL SYSTEMS (MANDATORY)**
- APPLICABLE ONLY WHEN WALL OR ROOF SYSTEMS ARE REPLACED.
- WALLS**
1. PROVIDE A CONTINUOUS HOUSEWRAP /WEATHER-RESISTIVE BARRIER WITH SHEETS LAPPED SHINGLE-STYLE TO PREVENT BULK WATER THAT PENETRATES THE FINISHED EXTERIOR CLADDING SYSTEM FROM ENTERING THE WALL ASSEMBLY OR PENETRATING THROUGH WINDOW OR DOOR OPENINGS OR THROUGH OTHER PENETRATIONS. ALTERNATIVELY, INSTALL A FLUID APPLIED WEATHER-RESISTIVE BARRIER IN ACCORDANCE WITH MANUFACTURER'S INSTRUCTIONS.
 2. FLASHINGS AT ROOF /WALL INTERSECTIONS AND WALL PENETRATIONS (I.E., PLUMBING, ELECTRICAL, VENTS, HVAC REFRIGERANT LINES AND THE LIKE) IN ADDITION TO WINDOWS AND DOORS) MUST BE INTEGRATED WITH THE WEATHER-RESISTIVE BARRIER AND DRAINAGE PRIOR TO ANY EXTERIOR FINISH BEING INSTALLED TO PREVENT BULK WATER FROM ENTERING THE EXTERIOR WALL ASSEMBLY.
 3. FLASHING INSTALLED AT BOTTOM OF EXTERIOR WALLS WITH WEEP HOLES INCLUDED FOR MASONRY VENER AND WEEP SCREEN FOR STUCCO CLADDING SYSTEMS OR EQUIVALENT DRAINAGE SYSTEM.
- ROOF**
1. INSTALL DRIP EDGE AT ENTIRE PERIMETER OF ROOF.
 2. AT WALL /ROOF INTERSECTIONS, MAINTAIN 2" CLEARANCE BETWEEN WALL CLADDING AND ROOFING MATERIALS. INSTALL FLASHING ALONG THE INTERSECTION, AND USE KICK-OUT FLASHINGS.

- EGC 6.10 CONSTRUCTION WASTE MANAGEMENT (MANDATORY)**
- CONTRACTOR TO INVESTIGATE LOCAL OPTIONS FOR DIVERSION OF ALL CONSTRUCTION WASTE AND DEVELOP A PLAN FOR TRACKING WASTE DIVERSION EITHER THROUGH A CONTRACTED COMPANY OR BY TRACKING AND SORTING FOLLOWING COMPONENTS OF CONSTRUCTION WASTE.
- OPTION 1
1. RECYCLE A MINIMUM OF 75% OF TOTAL CONSTRUCTION WASTE

- EGC 6.11 RECYCLING STORAGE**
1. OWNER TO PROVIDE SEPARATE BINS FOR THE COLLECTION OF TRASH AND RECYCLING FOR EACH DWELLING UNIT AND ALL SHARED-COMMUNITY ROOMS (IF APPLICABLE).

- EGC 7.1 RADON MITIGATION (MANDATORY)**
- APPLICABLE ONLY IF EPA ZONE 1
- SUBSTANTIAL REHAB**
1. OWNER AND/OR CONTRACTOR TO CONFIRM PRE-CONSTRUCTION RADON TEST WAS CONDUCTED BY THIRD-PARTY CERTIFIED RADON PROFESSIONAL.
 2. TEST FOR RADON IN ACCORDANCE WITH ANSI/AARST MAMF-2017 STANDARDS FOR MULTIFAMILY BUILDINGS OR ANSI/AARST MAMF-2014 FOR SINGLE-FAMILY HOMES.
 3. IF THE RADON LEVEL IS ABOVE 4 PCOL, CONTRACTOR TO INSTALL RADON-REDUCTION MEASURES OR INSTALL A RADON MITIGATIONS SYSTEM PER ANSI/AARST RmS-MF 2018 FOR MULTIFAMILY BUILDINGS OR SGM-SF 2017 FOR HOMES.
 4. AFTER CONSTRUCTION COMPLETION, HAVE BUILDING TESTED FOR RADON BY THIRD-PARTY CERTIFIED RADON PROFESSIONAL. IF RADON LEVELS ARE ABOVE 4 PCOL, INSTALL MITIGATION IN ACCORDANCE WITH ANSI/AARST MAMF-2017 STANDARDS FOR MULTIFAMILY BUILDINGS OR ANSI/AARST SGM-SF-2017 OR ASTM 2021 FOR SINGLE-FAMILY HOMES.

- EGC 7.2 REDUCE LEAD HAZARDS IN PRE-1979 BUILDINGS (MANDATORY)**
1. CONDUCT LEAD RISK ASSESSMENT OR INSPECTION TO IDENTIFY LEAD HAZARDS.
 2. CONDUCT IDENTIFIED LEAD HAZARDS USING LEAD ABATEMENT OR OTHER CONTROLS, USING LEAD-SAFE WORK PRACTICES THAT MINIMIZE AND CONTAIN DUST.
 3. FOLLOW EPA OR STATE AND/OR LOCAL LAWS AND REQUIREMENTS, WHERE APPLICABLE. ALTERNATIVELY, FOLLOW STANDARD LEAD TREATMENTS DEFINED BY HUD AS A SERIES OF HAZARD REDUCTION MEASURES DESIGNED TO REDUCE LEAD-BASED PAINT HAZARDS IN A DWELLING UNIT WITHOUT THE BENEFIT OF A RISK ASSESSMENT OR OTHER EVALUATION (25 CFR 34.110).
 4. REPLACE WINDOWS THAT HAVE DETERIORATED LEAD-BASED PAINT WITH ENERGY-EFFICIENT WINDOWS.
 5. A LEAD INSPECTION SHOULD BE UNDERTAKEN BY AN EPA CERTIFIED RISK ASSESSOR TO DETERMINE WHETHER PAINT IN A REHAB PROJECT CONTAINS LEAD. OTHERWISE PAINT SHOULD BE PRESUMED TO CONTAIN LEAD AND LEAD-SAFE WORK PRACTICES ARE REQUIRED.
 6. PERFORM DUST LEAD CLEARANCE TESTING AT THE CONCLUSION OF RENOVATION WORK; COMPARE AGAINST EPA DUST LEAD CLEARANCE STANDARDS.
 7. REMOVE OR COVER LEAD-CONTAMINATED SOIL SO THAT IT IS INACCESSIBLE TO CHILDREN. FOR GARDENING, USE RASSED BEDS WITH LEAD-FREE SOIL.

- EGC 7.3 COMBUSTION EQUIPMENT (MANDATORY)**
- APPLICABLE ONLY WHEN COMBUSTION EQUIPMENT IS PROVIDED ANYWHERE IN THE BUILDING:
1. PROVIDE AT LEAST ONE HARDWIRED CARBON MONOXIDE DETECTOR WITH BATTERY BACKUP FOR EACH LIVING AREA, MINIMUM ONE ON EACH FLOOR.
 2. ANY COMBUSTION EQUIPMENT INSTALLED MUST BE POWER-VENTED OR CLOSED-COMBUSTION.
 3. FOR SUBSTANTIAL REHABS WITH COMBUSTION EQUIPMENT THAT IS NOT POWER-VENTED OR DIRECT-VENT, OWNER AND/OR CONTRACTOR TO CONFIRM PRE-CONSTRUCTION COMBUSTION SAFETY TEST WAS CONDUCTED, THE TEST MUST BE CONDUCTED FOR CENTRAL SYSTEMS AND FOR 10% OF INDIVIDUAL DWELLING UNITS SYSTEMS PER RESHET GUIDELINES FOR COMBUSTION SAFETY AND DEVELOPING WORK ORDERS OR BPI COMBUSTION SAFETY TEST PROCEDURES FOR VENTED APPLIANCES.

- EGC 7.5 INTEGRATED PEST MANAGEMENT (MANDATORY)**
1. SEAL WALL, FLOOR, AND JOINT PENETRATIONS WITH LOW-VOC CAULKING OR OTHER APPROPRIATE NONTOXIC SEALING METHOD.
 2. INSTALL CORROSION-PROOF METAL PEST SCREENS FOR ALL OPENINGS GREATER THAN ¼ INCH.
 3. SEAL OFF ENTRY POINTS UNDER KITCHEN AND BATHROOM SINKS.

- EGC 7.7 VENTILATION (MANDATORY)**
1. LOCAL EXHAUST
 - a. DESIGN AND INSTALL LOCAL EXHAUST SYSTEMS IN ALL BATHROOMS (INCLUDING HALF-BATHS) AND THE KITCHEN TO MEET THE DESIGN AND INSTALLATION REQUIREMENTS OF ASHRAE STANDARD 62.2-2010, SECTIONS 5 AND 7 OR EQUIVALENT, WHICHEVER IS MORE STRINGENT. PROVIDE MINIMUM INTERMITTENT LOCAL EXHAUST FLOW RATES OF 100 CFM OR EACH IN KITCHEN, AND 50 CFM IN BATHROOM.
 - b. EXHAUST AIR TO THE OUTDOORS. DO NOT ROUTE EXHAUST TO TERMINATE IN ATTICS OR INTERSTIAL SPACES. JUST RECIRCULATING RANGE HOODS OR RECIRCULATING OVER-RANGE MICROWAVES DO NOT SATISFY THE KITCHEN EXHAUST REQUIREMENTS.
 - c. USE ENERGY STAR-LABELLED BATHROOM EXHAUST FANS IN ALL BATHROOMS.
 2. VENTILATION
 - a. FRESH AIR VENTILATION TO DWELLING UNITS SHALL COMPLY WITH VENTILATION REQUIREMENTS OF ASHRAE 62.2-2010.
 - b. PROJECT TEAMS USING EXHAUST-ONLY VENTILATION SYSTEMS MUST COMPLY WITH FLOW RATE REQUIRED BY ASHRAE 62.2-2010. IF BATHROOM EXHAUST FAN IS USED FOR EXHAUST-ONLY FRESH-AIR VENTILATION, THEN REFER TO HVAC DRAWINGS FOR EXHAUST FAN RUN-TIME AND CONTROLS. COORDINATE CONTINUOUS / INTERMITTENT FAN RUN-TIME AND CONTROLS WITH HVAC AND ELECTRICAL CONTRACTOR. PROVIDE DUAL-SPEED BATHROOM EXHAUST FAN WITH CONTINUOUS SPEED SET TO 30 CFM IN 1-BEDROOM UNITS, 45 CFM IN 2-BEDROOM UNITS, AND 45 CFM IN 3-BEDROOM UNITS.
 - 3. IN FULL ACCORDANCE WITH ASHRAE 62.1-2010, INSTALL A MECHANICAL VENTILATION SYSTEM FOR ALL HALLWAYS AND COMMON SPACES IN EACH MULTIFAMILY BUILDING OF FOUR STORES OR MORE.
 - 4. ALL SYSTEMS AND ASSOCIATED DUCTWORK MUST BE INSTALLED PER MANUFACTURER'S RECOMMENDATIONS.
 - 5. IF USING CENTRAL VENTILATION SYSTEMS WITH ROOFTOP FANS, EACH ROOFTOP FAN MUST BE DIRECT-DRIVE AND VARIABLE-SPEED WITH SPEED CONTROLLER MOUNTED NEAR THE FAN. FANS WITH DESIGN CFM 300-2000 MUST ALSO HAVE AN ECM MOTOR.
 - 6. GREEN VERIFIER/ENERGY RATER TO CONDUCT TESTING TO VERIFY DWELLING UNIT VENTILATION SYSTEM FLOW RATES ARE WITHIN ± 5 CM OR 15% OF THE DESIGN VALUE.

- EGC 7.8 BEYOND ADA: UNIVERSAL DESIGN (MANDATORY)**
- SELECT ONE OPTION BELOW TO IMPLEMENT. IMPLEMENT THREE STRATEGIES IN THAT OPTION. FOR ALL SELECTED STRATEGIES AFFECTING DWELLING UNITS, IMPLEMENT THAT STRATEGY FOR 75% OF THE PROJECT'S DWELLING UNITS.
1. CREATE APPROACHABLE BUILDING ENTRIES THAT ARE WELCOMING, ARE EASY TO IDENTIFY, PROMOTE FEELINGS OF SAFETY, AND ARE ACCESSIBLE WITHOUT THE USE OF STAIRS, INCLUDING A COVERED ENTRYWAY WITH SEATING, GREENERY, AND LIGHTING, INCLUDE EXTERIOR SIGNAGE THAT IS PROMINENT, WIDE SIDEWALK, ACCESS ROAD, OR PARKING LOT.
 2. PROVIDE CLEAR SIGNAGE THROUGHOUT THE BUILDING THAT AVOIDS JARGON, USE CLEAR LANGUAGE, INCORPORATE A POSITIVE FRAME, AND IS MULTILINGUAL WHERE APPROPRIATE. INCORPORATE ILLUSTRATIONS TO ENCOURAGE UNIVERSAL UNDERSTANDING. SIGNAGE FOR WAY-FINDING AND OTHER PURPOSES SHOULD BE AVAILABLE IN THE INTERIOR AND EXTERIOR SPACES.
 3. AVOID STRONG PATTERNS ON FLOOR FINISHES, USE CARPETS AND FLOORING THAT HAVE SUBTLE NEUTRAL PATTERNS.

- EGC 8.1 BUILDING MAINTENANCE MANUAL (MANDATORY)**
1. GENERAL CONTRACTOR TO PROVIDE MAINTENANCE MANUAL THAT ADDRESSES HVAC OPERATIONS AND MAINTENANCE, APPLIANCE GUIDANCE, LIGHTING EQUIPMENT, GREEN CLEANING PRODUCTS, AND PEST CONTROL. REFER TO EGC 2000 CRITERIA HANDBOOK FOR DETAILS.
- EGC 8.2 EMERGENCY MANAGEMENT MANUAL (MANDATORY)**
1. GENERAL CONTRACTOR TO PROVIDE EMERGENCY MANAGEMENT MANUAL TARGETED TOWARD OPERATIONS AND MAINTENANCE STAFF AND OTHER BUILDING LEVEL PERSONNEL. THE MANUAL SHOULD ADDRESS RESPONSES TO VARIOUS TYPES OF EMERGENCIES, LEADING WITH THOSE THAT HAVE THE GREATEST PROBABILITY OF NEGATIVELY AFFECTING THE PROJECT. THE MANUAL SHOULD PROVIDE GUIDANCE AS TO HOW TO SUSPEND THE DELIVERY OF ADEQUATE HOLDING THROUGHOUT AN EMERGENCY AND COVER A RANGE OF TOPICS INCLUDING BUT NOT LIMITED TO:
 - a. COMMUNICATION PLANS FOR STAFF AND RESIDENTS TO USE IN THE EVENT OF AN EMERGENCY.
 - b. USEFUL CONTACT INFORMATION FOR PUBLIC UTILITY AND OTHER SERVICE PROVIDERS
 - c. INFRASTRUCTURE AND BUILDING "SHUT-DOWN" PROCEDURES

- EGC 8.3 BUILDING MAINTENANCE MANUAL (MANDATORY)**

- EGC 6.4 BATH, KITCHEN, LAUNDRY SURFACES (MANDATORY)**
1. USE MATERIALS THAT HAVE DURABLE, CLEANABLE SURFACES THROUGH BATHROOMS, KITCHENS, AND LAUNDRY MATERIALS SHOULD NOT BE PRONE TO DETEIORATION DUE TO MOISTURE INTRUSION OR ENCOURAGE THE GROWTH OF MOULD.
 2. USE MOISTURE-RESISTANT BACKING MATERIALS SUCH AS CEMENT BOARD, FIBER CEMENT BOARD, OR EQUIVALENT PER ASTM 4829 OR ASTM 48 3273 BEHIND TUB/SHOWER ENCLOSURES. PROJECTS USING ONE-PIECE FIBERGLASS ENCLOSURE ARE EXEMPT FROM THIS REQUIREMENT.

- EGC 4.8 APPLICABLE MOISTURE FOUNDATIONS (MANDATORY)**
- APPLICABLE WHEN FOUNDATION WORK IS IN SCOPE.
- BENEATH CONCRETE SLABS (INCLUDING THOSE IN BASEMENTS AND CRAWL SPACES)
- OPTION 1
1. INSTALL A CAPILLARY BREAK AS FOLLOWS: 4-INCH LAYER OF ¼-INCH DIAMETER OR GREATER CLEAN AGGREGATE.
 2. IMMEDIATELY ABOVE THE CAPILLARY BREAK, INSTALL AT LEAST 6-MIL POLYETHYLENE SHEETING OVERLAPPED AT LEAST 6 INCHES AT THE SEAMS TO SERVE AS A VAPOR BARRIER IN DIRECT CONTACT WITH THE SLAB ABOVE.
- OPTION 2
1. INSTALL A 4-INCH UNIFORM LAYER OF SAND, OVERLAIN WITH A LAYER OR STRIPS OF GEOTEXTILE DRAINAGE MATTING INSTALLED ACCORDING TO THE MANUFACTURER'S INSTRUCTIONS.
 2. IMMEDIATELY ABOVE THE SAND, OVERLAIN AT LEAST

ENTERPRISE GREEN COMMUNITIES CRITERIA CHECKLIST



2020 ENTERPRISE GREEN COMMUNITIES CRITERIA CHECKLIST

CRITERIA CHECKLIST

This checklist provides an overview of the technical requirements within the Enterprise Green Communities Criteria. To achieve Enterprise Green Communities Certification, all projects must achieve compliance with the Criteria mandatory measures applicable to that construction type. New Construction projects must also achieve at least 40 optional points, and Substantial and Moderate Rehab projects must also achieve at least 35 optional points.

These projects that also comply with Criterion 5.2b or Criterion 5.4 will be recognized with Enterprise Green Communities Certification Plus.

Table with 2 columns: Field (Project, Address, Location Type, Building Type, Year Built) and Value (OTR Renovations, Scattered Site, Urban, Renovations, 1880, 1900, 1935).

Main criteria checklist table with columns: Yes/Maybe/No, Points, Criterion Title, Description, Notes, and a 'Notes' column.

Continuation of the main criteria checklist table, containing criteria 2.9 through 4.6.

Continuation of the main criteria checklist table, containing criteria 4.7 through 6.2.

Continuation of the main criteria checklist table, containing criteria 6.3 through 7.9.

Vertical sidebar containing project address (RUSS ALLEY, 1623-1625 VINE STREET, 1624 REPUBLIC STREET), logos for CITYSTUDIOS ARCHITECTURE, advantage STRUCTURAL ENGINEERS, VIOX&VIOX, PE Services, and 3CDC CINCINNATI CENTER CITY DEVELOPMENT CORPORATION, along with permit information and a large 'A0.9' score.

ENTERPRISE GREEN COMMUNITIES CRITERIA CHECKLIST - CONTINUED

<input type="checkbox"/>	<input type="checkbox"/>	3	7.10 Noise Reduction Option 1: Test and demonstrate that noise levels in bedrooms meet 30 dB LAeq (continuous) and 45 dB LAMax, (single sound). OR Option 2: Provide a noise abatement plan specific to the site covering general noise mitigation techniques in accordance with 24 CFR 518. OR Option 3: Ensure all exterior wall and party wall penetrations are sealed with acoustical sealant, all party walls and floor/ceiling assemblies have an STC rating of at least 55, and exterior windows and doors in projects near a significant exterior noise source have an STC rating of at least 35	
<input type="checkbox"/>	<input type="checkbox"/>	8	7.11 Active Design: Promoting Physical Activity <i>[All projects must comply with at least one of either Criterion 7.11, 7.12, or 7.13. Points are not available for that criterion, but, are available for projects that meet two or three of these criteria.]</i> Option 1: Encouraging Everyday Stair Usage (buildings that include stairs as the only means to travel from one floor to another are not eligible for this option.) Provide a staircase that is accessible and visible from the main lobby and is visible within a 25-foot walking distance from any point in the lobby per the specifications listed. Place point-of-decision signage. OR Option 2: Activity Spaces. Provide on-site dedicated recreation space with exercise or play opportunities for adults and/or children that is open and accessible to all residents; see criterion for specifics.	
<input checked="" type="checkbox"/>	<input type="checkbox"/>	8	7.12 Beyond ADA: Universal Design <i>[All projects must comply with at least one of either Criterion 7.11, 7.12, or 7.13. Points are not available for that criterion, but, are available for projects that meet two or three of these criteria.]</i> Select and implement at least one of the Options with at least three different strategies in at least 75% units. Option 1: Create welcoming and accessible spaces that encourage equitable use and social connections. Option 2: Create spaces that are easy and intuitive to use and navigate. Option 3: Promote safety and create spaces that allow for human error. Option 4: Create spaces that can be accessed and used with minimal physical effort. Option 5: Create spaces with the appropriate size and space to allow for use, whatever the user's form of mobility, size, or posture. Option 2: - Approachable Building Entrances - Clear signage throughout buildings - Avoid strong patterns on floor finishes	
<input type="checkbox"/>	<input type="checkbox"/>	8	7.13 Healing-Centered Design <i>[All projects must comply with at least one of either Criterion 7.11, 7.12, or 7.13. Points are not available for that criterion, but, are available for projects that meet two or three of these criteria.]</i> Select and implement at least two of the Options with at least two different strategies listed in at least 75% units. Option 1: Provide an environment that promotes feelings of real and perceived safety. Option 2: Create flexible spaces that allow for personalization and/or manipulation to meet individual and community needs. Option 3: Connect residents and staff to a living landscape and the natural environment. Option 4: Utilize art and culture in project design and programming and promote social connectedness.	
<input type="checkbox"/>	<input type="checkbox"/>	10	0	7. HEALTHY LIVING ENVIRONMENT SUBTOTAL
<input checked="" type="checkbox"/>	Maybe	8. OPERATIONS, MAINTENANCE + RESIDENT ENGAGEMENT		Notes
<input checked="" type="checkbox"/>		M	8.1 Building Operations & Maintenance Manual and Plan <i>[For all Multifamily projects]</i> Develop a manual with thorough building operations and maintenance (O&M) guidance and a complementary plan. The manual and plan should be developed over the course of the project design, development, and construction stages, and should include sections/chapters addressing the list of topics.	
<input checked="" type="checkbox"/>		M	8.2 Emergency Management Manual <i>[For all Multifamily projects]</i> Provide a manual on emergency operations targeted toward operations and maintenance staff and other building-level personnel. The manual should address responses to various types of emergencies, leading with those that have the greatest probability of negatively affecting the project. The manual should provide guidance as to how to sustain the delivery of adequate housing throughout an emergency and cover a range of topics, including but not limited to: • communication plans for staff and residents • useful contact information for public utility and other service providers • infrastructure and building, "shutdown" procedures • plan for regular testing of backup energy systems, if these exist	
<input checked="" type="checkbox"/>		M	8.3 Resident Manual Provide a guide for homeowners and renters that explains the intent, benefits, use, and maintenance of their home's green features and practices. The Resident Manual should encourage green and healthy activities per the list of topics.	
<input checked="" type="checkbox"/>		M	8.4 Walk-Throughs and Orientations to Property Operation Provide a comprehensive walk-through and orientation for all residents, property manager(s), and buildings operations staff.	
<input checked="" type="checkbox"/>		M	8.5 Energy and Water Data Collection and Monitoring For rental properties, upload project energy and water performance data in an online utility benchmarking platform annually for at least five years from time of construction completion per one of the four methods provided; grant Enterprise view access for that period. For owner-occupied units, collect and monitor utility data in a manner that allows for easy access and review.	
<input type="checkbox"/>	<input type="checkbox"/>	0	0	8. OPERATIONS, MAINTENANCE + RESIDENT ENGAGEMENT SUBTOTAL
<input checked="" type="checkbox"/>	<input checked="" type="checkbox"/>	44	2	TOTAL

NOT FOR CONSTRUCTION

CITYSTUDIOS
ARCHITECTURE
1148 Main Street
Cincinnati, OH 45202
ph. 513.621.0750
citystudiosarch.com

advantage
STRUCTURAL ENGINEERS
1527 Madison Road
Cincinnati, OH 45206
513.396.8900
www.advantageSE.com

VIOX & VIOX
Civil Engineers, Surveyors, and Landscape Architects
4400 Springdale Avenue, Suite 100
Cincinnati, OH 45242
www.vioxandviox.com

PE Services
1-913-836-3810
www.pe-services.com
9 North Broadway
Lebanon, OH 45046
513-836-3810

RUSS ALLEY
 1623 - 1625 VINE STREET, 1624 REPUBLIC STREET
 (1625 VINE HPTC APPLICATION)
 CINCINNATI, OH 45202

3CDC CINCINNATI CENTER CITY DEVELOPERS CORPORATION

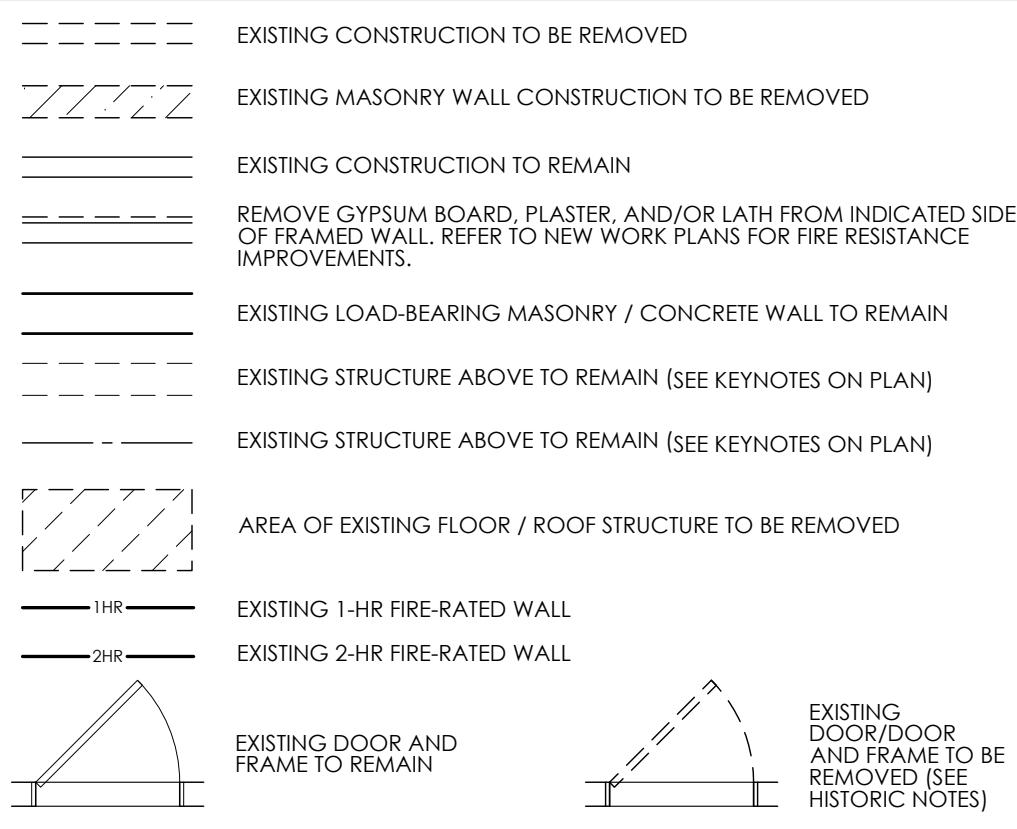
ISSUE LOG:
06.02.2023
ISSUE FOR PERMIT
07.14.2023
PERMIT REVISION 1
09.21.2023
OHFA PRELIM. SUBMISSION

ENTERPRISE GREEN COMMUNITIES CHECKLIST

A0.10

PRELIMINARY:
NOT FOR CONSTRUCTION

DEMOLITION PLAN GRAPHIC KEY



DEMOLITION PLAN GENERAL NOTES

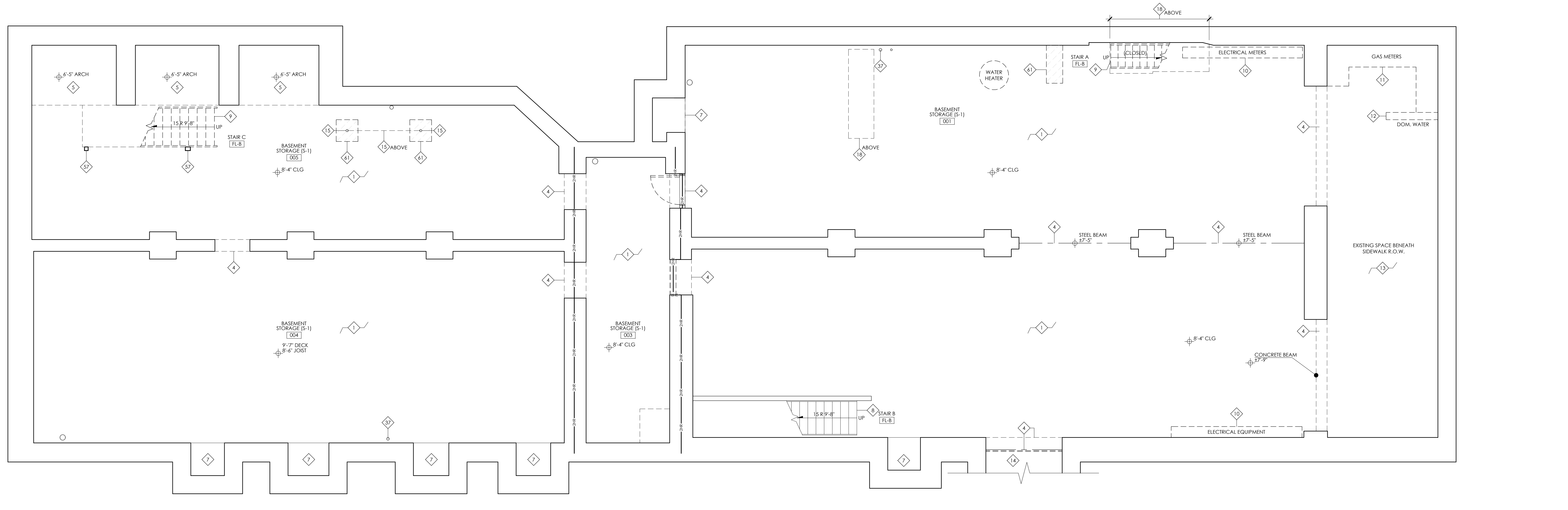
- 1. ALL DASHED ELEMENTS TO BE REMOVED... 2. ALL LOAD-BEARING WALLS, COLUMNS, BEAMS, AND STRUCTURAL ELEMENTS TO REMAIN... 3. WHERE EXISTING STRUCTURE IS NOTED TO BE REMOVED, SHORE AND BRACE EXISTING BUILDING AS REQUIRED...

HISTORIC KEYNOTES

- REFER TO DOOR AND WINDOW TAGS ON NEW WORK PLANS AND TO DOOR AND WINDOW SCHEDULES ON SHEETS A0.4 AND A0.5 FOR DETAILED SCOPE OF WORK AT HISTORIC DOOR AND WINDOW OPENINGS... IF NOTE OCCURS AT CENTER OF ROOM, NOTE APPLIES TO ALL WALLS, U.N.O.

DEMOLITION PLAN KEYNOTES

- 1. EXISTING CONCRETE SLAB TO REMAIN... 2. REMOVE EXISTING CONCRETE SIDEWALK PER DOTE STANDARDS... 3. EXISTING CAST IRON OR STEEL COLUMN TO REMAIN... 4. LINE OF EXISTING STRUCTURE ABOVE TO REMAIN (BEAM, HEADER, ROOF OVERHANG, ETC.)...



1 A2.0 1/4" = 1'-0" BASEMENT DEMOLITION PLAN



NOT FOR CONSTRUCTION CITYSTUDIOS ARCHITECTURE 1148 Main Street Cincinnati, OH 45202

advantage STRUCTURAL ENGINEERS 1527 Madison Road Cincinnati, OH 45206

VIOX & VIOX Civil Engineers, Surveyors and Landmark Architects

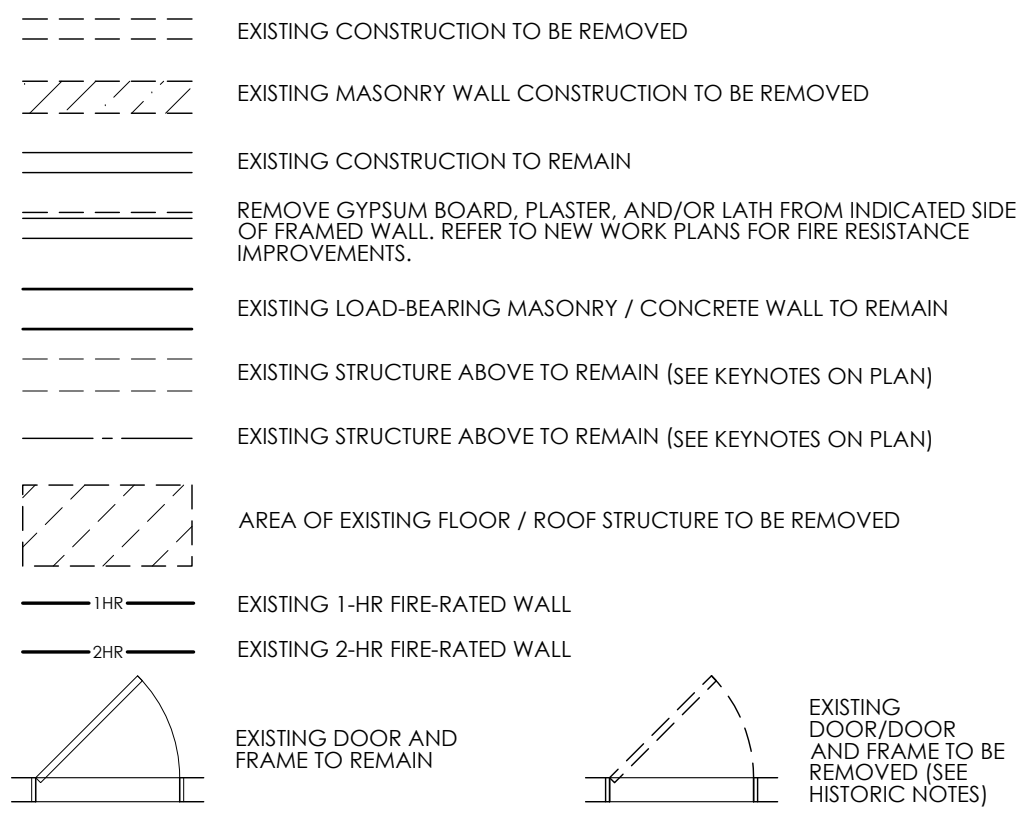
PE Services CONSULTING ENGINEERS 9 North Broadway Lebanon, OH 45046

RUSS ALLEY 1623 - 1625 VINE STREET, 1624 REPUBLIC STREET (1625 VINE HPTC APPLICATION) CINCINNATI, OH 45202

3CDC CINCINNATI CENTER CITY DEVELOPMENT CORPORATION ISSUE LOG: 04.02.2023 ISSUE FOR PERMIT 07.14.2023 PERMIT REVISION 1 09.21.2023 OHFA PRELIM. SUBMISSION

BASEMENT DEMOLITION PLAN A2.0 PRELIMINARY: NOT FOR CONSTRUCTION

DEMOLITION PLAN GRAPHIC KEY



DEMOLITION PLAN GENERAL NOTES

- ALL DASHED ELEMENTS TO BE REMOVED. U.N.O. CONSULT ARCH. IF INTENT IS UNCLEAR.
- ALL LOAD-BEARING WALLS, COLUMNS, BEAMS, AND STRUCTURAL ELEMENTS TO REMAIN. U.N.O. WHERE EXISTING STRUCTURE IS NOTED TO BE REMOVED, SHORE AND BRACE EXISTING BUILDING AS REQUIRED.
- WHERE EXISTING STUD FRAMED WALLS ARE INDICATED TO REMAIN, REMOVE GYP. BOARD AND OTHER NON-HISTORIC WALL FINISHES, FASTENERS, INSULATION, ETC. DOWN TO STUDS. REMOVE BASEBOARD. PREP FOR NEW WORK.
- COORDINATE ANY NEW MASONRY OPENINGS WITH NEW WORK PLANS. TOOTH OUT BRICK AT JAMBS AND SALVAGE SUFFICIENT BRICK FOR REKEYING IN AT JAMBS. REFER TO STRUCTURAL DWGS.
- REFER TO DEMOLITION ELEVATION GENERAL NOTES ON THE A5.0 SHEET SERIES OF EXTERIOR ELEVATIONS FOR TREATMENT OF HISTORIC MASONRY.
- HISTORIC STONE LINTELS AND SILLS ARE TO REMAIN. REMOVE ALL CRACKED LINTELS IN PREPARATION FOR NEW CAST STONE LINTEL TO MATCH EXISTING. REFER TO DEMOLITION AND NEW WORK ELEVATIONS AND STRUCTURAL DRAWINGS. CONTRACTOR IS TO INSPECT ALL INTERIOR WOOD LINTELS AND NOTIFY ARCHITECT/STRUCTURAL ENGINEER OF DETEIORATION.
- CONTRACTOR SHALL EVALUATE CONDITION OF ALL EXISTING PLASTER SURFACES AND REMOVE ALL LOOSE PLASTER FROM ALL SURFACES NOT OTHERWISE SCHEDULED FOR DEMOLITION. STABLE PLASTER IS TO REMAIN UNLESS NOTED OTHERWISE. EXERCISE CARE SO AS NOT TO DAMAGE STABLE PLASTER ADJACENT TO LOOSE PLASTER AND SO NOT TO DAMAGE SUBSTRATE OR STRUCTURE BEYOND.
- REMOVE ALL TEMPORARY BARRICADES FROM DOORS, WINDOWS, STOREFRONTS.
- REMOVE ALL VIV AND ANY SIMILAR PLANT GROWTH FROM EXISTING BRICK AND STONE.
- ALL CHIMNEYS & ASSOCIATED ELEMENTS ARE TO REMAIN. U.N.O. VERIFY STRUCTURAL INTEGRITY IN FIELD - SEE NOTES ON STRUCTURAL DWGS.
- REMOVE ALL EXISTING NON-HISTORIC VINYL, CARPET AND TILE FLOORING INCLUDING ANY ADHESIVES, FASTENERS, OR UNDERLAYMENTS DOWN TO ORIGINAL WOOD FINISH FLOOR OR SUBFLOOR. U.N.O.
- REMOVE ALL GYPSUM BOARD, PLASTER AND LATH, AND/OR SUSPENDED CEILING TO EXPOSE FLOOR JOISTS / ROOF BATTENS AND PERMIT INSTALLATION OF CONCEALED MECHANICAL, ELECTRICAL, AND PLUMBING SYSTEMS. U.N.O. CONTACT ARCHITECT AND STRUCTURAL ENGINEER TO ALLOW FOR INSPECTION OF EXISTING FRAMING. EXISTING PLASTER AT UNDERSIDE OF STAIR CAN REMAIN IF IN GOOD STABLE CONDITION.
- REMOVE ALL EXISTING CABINETS, COUNTERTOPS, AND KITCHEN APPLIANCES.
- REMOVE ALL EXISTING BATHROOM AND KITCHEN FIXTURES. U.N.O.
- COORDINATE WITH MECHANICAL, ELECTRICAL, AND PLUMBING DRAWINGS AND REMOVE ALL EXISTING EQUIPMENT, FIXTURES, DUCTS, PIPES, WIRES, ETC. EXTRANEOUS TO THE NEW BUILDING SYSTEMS. CAP AND TERMINATE AS REQ'D BY APPLICABLE CODES AND UTILITY PROVIDERS.
- NEW OPENINGS FOR M.E.P. SYSTEMS ARE NOT SHOWN. TRENCHING OF CONCRETE FLOOR SLAB AND DEMO WORK FOR PLUMBING AND UTILITIES IS NOT SHOWN. CONTRACTOR TO COORDINATE THIS WORK WITH M.E.P. DRAWINGS.
- REMOVE ALL LAYERS OF EXISTING ROOFING (AND INSULATION WHERE OCCURS) DOWN TO EXISTING ROOF SHEATHING. REMOVE ALL DAMAGED AND DETEIORATED ROOF SHEATHING IN PREPARATION FOR NEW ROOF SHEATHING. REMOVE ALL ROOF FASTENERS, FLASHING, TERMINATION BARS, ETC. TO PREPARE FOR NEW ROOF. SEQUENCE THIS WORK WITH NEW ROOF INSTALLATION SO AS TO PROTECT BUILDING FROM THE ELEMENTS AT ALL TIMES.

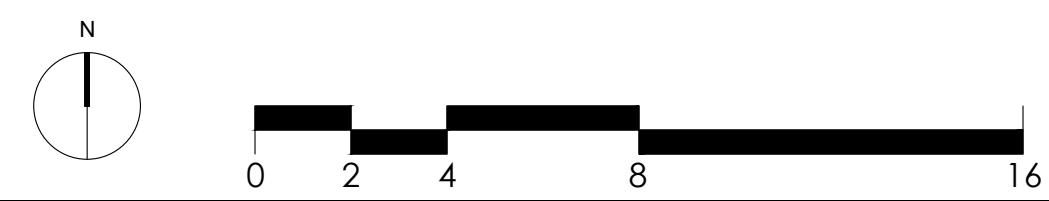
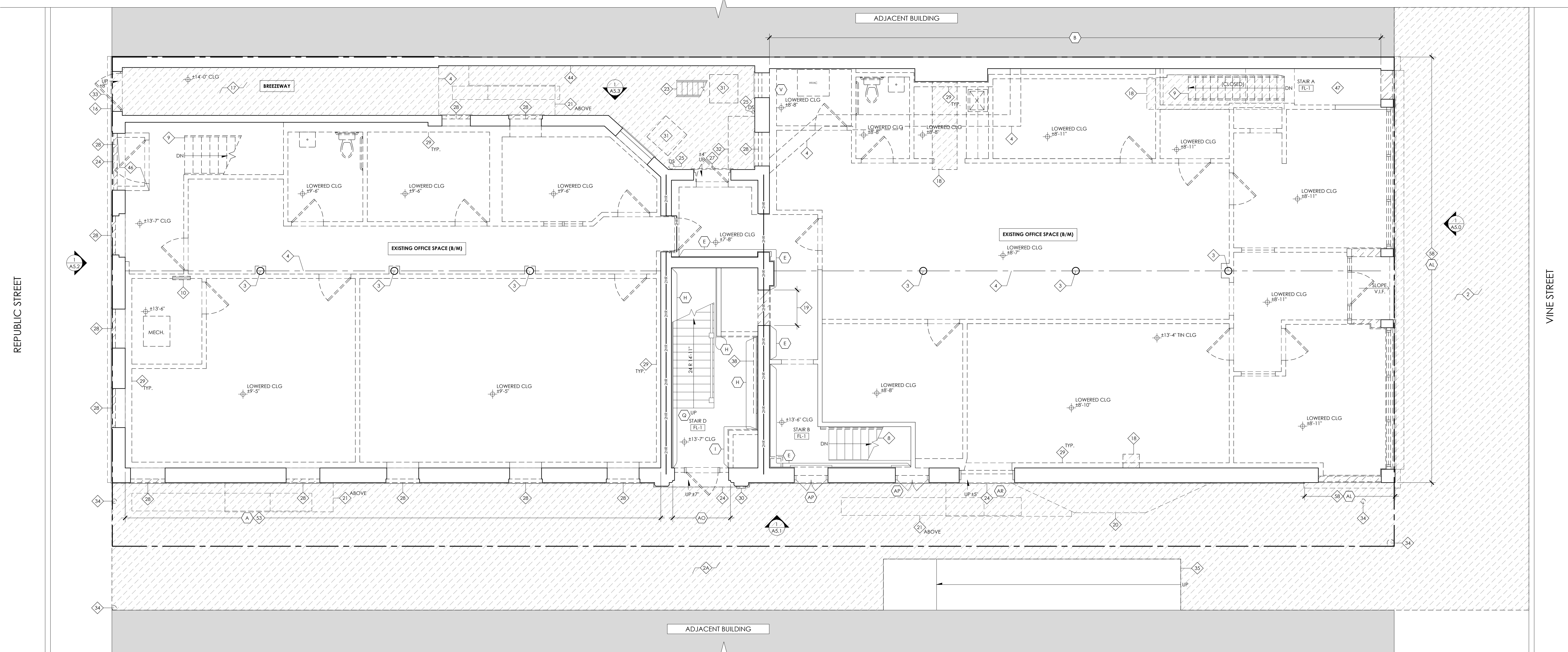
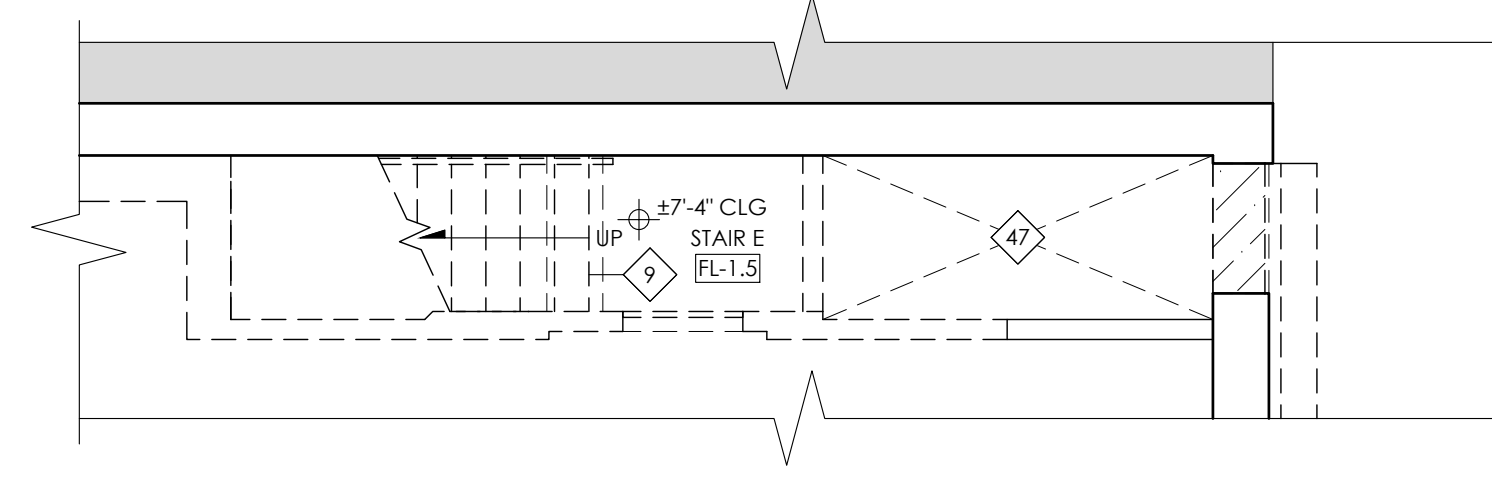
HISTORIC KEYNOTES

- REFER TO DOOR AND WINDOW TAGS ON NEW WORK PLANS AND TO DOOR AND WINDOW SCHEDULES ON SHEETS A0.4 AND A0.5 FOR DETAILED SCOPE OF WORK AT HISTORIC DOOR AND WINDOW OPENINGS.
- IF NOTE OCCURS AT CENTER OF ROOM, NOTE APPLIES TO ALL WALLS, U.N.O.
- BRICK TO REMAIN EXPOSED WHERE NO PLASTER IS PRESENT. PROVIDE MASONRY CONSOLIDATOR, PRIME AND PAINT WHERE PREVIOUSLY PAINTED.
- REMOVE AND SALVAGE HISTORIC METAL STAMPED CEILING PANELS AND CROWN MOULDING FOR REINSTALLATION OVER FIRE-RATED CEILING. SEE NEW WORK PLANS FOR LOCATION OF REINSTALLED CEILING.
- NOT USED
- NOT USED
- EXISTING HISTORIC WOOD BASEBOARD TO REMAIN IN PLACE. REPAIR TO MATCH EXISTING WHERE DAMAGED OR DETEIORATED AND PAINT.
- REMOVE AND SALVAGE EXISTING HISTORIC WOOD BASEBOARD FOR REINSTALLATION WHERE WALL IS TO BE FURRED OUT FOR THERMAL INSULATION OR WHERE PLASTER IS TO BE REMOVED TO IMPROVE FIRE RESISTANCE RATING (SEE WALL TYPES AND NEW WORK PLANS FOR ADDITIONAL INFORMATION). REINSTALL SALVAGED HISTORIC BASEBOARD OVER NEW GYPSUM BOARD. REPAIR, PRIME AND PAINT.
- REMOVE EXISTING HISTORIC BASEBOARD REMNANTS.
- HISTORIC WOOD BEADBOARD WAINSCOT AND CHAIR RAIL TO REMAIN - REPAIR AND PAINT, WHERE DETEIORATED OR MISSING PROVIDE NEW TO MATCH - PAINT.
- REMOVE EXISTING HISTORIC WOOD BEADBOARD WAINSCOT AND CHAIR RAIL SALVAGE FOR RELOCATION. INSTALL AT STAIRWALL WALLS NOW EXPOSED BY SHAFT WALL DEMOLITION - SEE NEW WORK PLANS. REPAIR, PRIME, PAINT.
- REMOVE EXISTING HISTORIC CROWN MOULDING REMNANTS.
- EXISTING HISTORIC MANTEL AND HEARTH (WHERE OCCURS) TO REMAIN IN PLACE. CLEAN AND REPAIR AS REQ'D. PROVIDE NEW PAINT AT MANTEL (WHERE PREVIOUSLY PAINTED). PROVIDE NEW STAIR AT MANTEL WHERE PREVIOUSLY STAINED.
- HISTORIC WOOD FLOORING TO REMAIN. PATCH ALL DAMAGED, DETEIORATED, OR MISSING BOARDS. REFINISH. SEE FINISH SCHEDULE ON A0.2 FOR ADDITIONAL INFO.
- EXISTING HISTORIC HISTORIC TILE FLOORS TO REMAIN IN PLACE. REPAIR AS REQ'D. SEE FINISH SCHEDULE ON A0.2.
- EXISTING WOOD FLOORING TO BE CONCEALED BY NEW FINISH FLOORING AS INDICATED ON FINISH SCHEDULE. SEE A0.2 FOR ADDITIONAL INFO.
- REMOVE EXISTING HISTORIC METAL FLOOR GRATE AND SALVAGE FOR REINSTALLATION AT EXISTING LOCATION ABOVE NEW FLOOR INFILL. GRATE SHALL BE FLUSH WITH NEW FLOORING.
- CONTEMPORARY VINYL FLOORING AND LUAN SUBSTRATE TO BE CAREFULLY REMOVED TO EXPOSE EXISTING HISTORIC WOOD FLOORING. PATCH ALL DAMAGED, DETEIORATED, OR MISSING BOARDS. REFINISH. SEE FINISH SCHEDULE ON A0.2 FOR ADDITIONAL INFO.
- EXISTING HISTORIC STAIR, NEWEL POSTS, NEWEL POST CAPS, BALLUSTRADES, AND HANDRAILS (WHERE OCCURS) TO REMAIN. REPAIR OR REPLACE DAMAGED / DETEIORATED / MISSING STAIR COMPONENTS TO MATCH EXIST. PAINT.
- EXISTING HISTORIC SKYLIGHT TO REMAIN. REPAIR AND REGLAZE AS REQUIRED. SEE STRUCTURAL DWGS. HISTORIC WOOD BEADBOARD SURROUND TO REMAIN. REPAIR AS REQ'D - PAINT.
- HISTORIC WOOD BEADBOARD SURROUND AT ABANDONED, INFILLED. REFURLED TO REMAIN. REMOVE, SALVAGE, AND REINSTALL OR RELOCATE HISTORIC BEADBOARD SURROUND AS REQ'D TO FIRE-RATE SURROUNDING BEAMS. PAINT.
- "COMBINE LETTERS IN WINDOW CATEGORY WITH NUMBERS OF WINDOW TRIM" CATEGORY**
- REMOVE NON-HISTORIC WINDOW. HISTORIC WOOD WEIGHT BOX AND BRICK MOULD TO REMAIN. INSTALL NEW WINDOW WITHIN WEIGHT BOX. REPLACE DETEIORATED HISTORIC WOOD BRICK MOULD TO MATCH HISTORIC PROFILE IF REQUIRED. PAINT.
- PROVIDE NEW CUSTOM WOOD WINDOW AND BRICKMOULD TO MATCH EXISTING ADJACENT HISTORIC WINDOW. INSTALLATION TO MATCH HISTORIC INSTALLATION - PAINT.
- REMOVE NON-HISTORIC WINDOW OR HILL (WHERE OCCURS) BACK TO HISTORIC ROUGH MASONRY OPENING. INCLUDING BLOCKING, WEIGHT BOXES, AND BRICK MOULD (WHERE PRESENT). INFILL PER NEW WORK PLANS. EXISTING EXTERIOR HEADER AND SILL TO REMAIN. REFER TO NEW WORK PLANS.
- EXISTING HISTORIC WOOD WINDOW AND ALL ASSOCIATED WINDOW COMPONENTS TO REMAIN. REPAIR TO AN OPERABLE CONDITION - PAINT. INSTALL NEW EXTERIOR STORM WINDOW (WHERE APPLICABLE).

DEMOLITION PLAN KEYNOTES

- NOT USED
- REFER TO NOTES BELOW FOR TREATMENT OF INTERIOR WINDOW TRIM:
- EXISTING HISTORIC INTERIOR WOOD WINDOW TRIM TO REMAIN IN PLACE. REPAIR TO MATCH EXISTING WHERE DAMAGED OR DETEIORATED. PAINT.
- REMOVE AND SALVAGE HISTORIC INTERIOR WOOD WINDOW TRIM FOR REINSTALLATION. REPAIR TO MATCH EXISTING WHERE DAMAGED OR DETEIORATED. PROVIDE WOOD JAMB AND SILL EXTENDERS WHERE REQUIRED AT NEWLY FURRED WALLS. PRIME AND PAINT.
- PROVIDE NEW WOOD WINDOW TRIM TO MATCH ADJACENT HISTORIC WINDOW TRIM. PRIME / PAINT.
- WHERE NO EXISTING INTERIOR WINDOW TRIM IS PRESENT AT HISTORIC WINDOW OPENING, PROVIDE NEW CONTEMPORARY WOOD WINDOW TRIM. PRIME AND PAINT. SEE TYPICAL TRIM ON SHEET A0.5.
- EXISTING HISTORIC METAL DOOR AND FRAME TO REMAIN. REPAIR AND PAINT COMPONENTS PREVIOUSLY PAINTED.
- EXISTING HISTORIC SLIDING METAL DOOR AND TRACK. REMOVE AND REINSTALL IN FIXED OPEN POSITION. NEW FIRE RATED DOOR AND FRAME TO BE INSTALLED.
- EXISTING HISTORIC SLIDING METAL DOOR AND TRACK TO REMAIN. DOOR IS TO BE FIXED IN THE CLOSED POSITION. HISTORIC OPENING TO BE INFILLED.
- EXISTING HISTORIC METAL DOOR AND FRAME TO BE REMOVED. INSTALL NEW FIRE RATED DOOR AND FRAME IN EXISTING OPENING.
- EXISTING HISTORIC WOOD DOOR, FRAME, AND TRIM TO REMAIN. REPAIR AND PAINT.
- EXISTING HISTORIC WOOD DOOR OR CASED OPENING TRIM TO REMAIN. REPAIR, PRIME, AND PAINT.
- REMOVE HISTORIC DOOR AND FRAME. HISTORIC TRIM TO BE SALVAGED AND REINSTALLED IF WALL REMAINS AND APPLICABLE. REPAIR AND PAINT.
- HISTORIC WOOD DOOR TRIM TO REMAIN. SALVAGE AND REINSTALL AT NEW DOOR FRAME. REPAIR AND PAINT.
- REMOVE EXISTING DOOR, EXISTING FRAME AND TRIM TO REMAIN. REPAIR, PRIME, AND PAINT.
- NOT USED
- NOT USED
- REMOVE EXISTING DOOR, EXISTING HISTORIC WOOD FRAME AND TRANSOM TO REMAIN. REPAIR AND PAINT. PROVIDE NEW GLAZING OR PLYWOOD PANEL AT EXISTING TRANSOM AS INDICATED ON DOOR SCHEDULE. HISTORIC TRIM TO REMAIN AT STAIR SIDE ONLY. SALVAGE HISTORIC TRIM FROM UNIT SIDE FOR REINSTALLATION OVER NEW FIRE RATED FRAME, IF REQUIRED.
- HISTORIC STOREFRONT ELEMENTS TO REMAIN. ALL CAST IRON AND / OR STONE ELEMENTS ARE TO REMAIN IN PLACE AND BE STABILIZED. REMOVE ALL NON-HISTORIC STOREFRONT INFILL. PROVIDE TEMPORARY BRACING AND SHORING AS REQ'D. EXERCISE CAUTION SO AS NOT TO DAMAGE HISTORIC ELEMENTS. NOTIFY ARCHITECT/ENGINEER OF RECORD FOLLOWING REMOVAL FOR INSPECTION.
- EXISTING CAST IRON CURBS TO REMAIN. REPAIR AS REQ'D.
- HISTORIC STONE AND METAL ROOF CORNICE/BANDING, BRACKETS, AND MOULDING TO REMAIN. REPAIR DETEIORATED ELEMENTS TO MATCH EXISTING. PAINT IF PREVIOUSLY PAINTED.
- EXISTING HISTORIC WOOD TRANSOM BAR AND WOOD BRICK MOULD TO REMAIN - REPAIR AND PAINT. EXISTING NON-HISTORIC ENTRY DOOR AND WOOD FRAMED TRANSOM INFILL TO BE REMOVED. PROVIDE NEW ALUMINUM CLAD WOOD DOOR, SIDE PANEL, AND TRANSOM WINDOW.
- HISTORIC WOOD SHUTTERS TO BE REMOVED AND SALVAGED FOR REINSTALLATION IN THE FIXED POSITION. REPAIR AND PAINT. REMOVE EXISTING INTERIOR FRAMING AT OPENING AND PREP FOR NEW INFILL PER NEW WORK PLANS. INTERIOR TRIM TO BE REMOVED AND SALVAGED FOR REINSTALLATION, REPAIR AND PAINT.
- HISTORIC BOX GUTTER TO REMAIN. REPAIR ALL DETEIORATED ELEMENTS. PAINT. PROVIDE NEW ROOF MEMBRANE LINER AND SLOPE TO DRAIN TO NEW OR EXISTING DOWNSPOUT LOCATION.
- HISTORIC WOOD BRICK MOULD TO REMAIN - REMOVE EXIST. INFILL. PROVIDE NEW ALUMINUM CLAD WOOD DOORS AND TRANSOM WINDOW.
- HISTORIC WOOD TRANSOM, BRICK MOULD, AND INTERIOR WOOD TRIM TO REMAIN - REPAIR AND PAINT. INSTALL NEW ALUMINUM CLAD WOOD DOOR.

- REMOVE EXISTING DOWNSPOUT.
- REMOVE EXISTING CONCRETE SIDEWALK PER CODE STANDARDS. SEE CIVIL DRAWINGS.
- REMOVE EXISTING CONCRETE WALKWAY. SEE CIVIL DRAWINGS.
- EXISTING CAST IRON OR STEEL COLUMN TO REMAIN.
- LINE OF EXISTING STRUCTURE ABOVE TO REMAIN (BEAM, HEADER, ROOF OVERHANG, ETC.). IF BEAM IS CONCEALED - REMOVE PLASTER OR DRYWALL ENCLOSURE AT BEAM.
- LINE OF EXISTING BRICK/STONE ARCHES ABOVE TO REMAIN.
- REMOVE EXISTING SLAB ON GRADE. PREP FOR NEW SLAB AND WATERPROOFING.
- LOCATION OF EXISTING BASEMENT WINDOW WELL.
- EXISTING WOOD FRAMED STAIRS TO REMAIN. MODIFY BOTTOM RISER(S) AS REQ'D IF LOCATED AT NEW BASEMENT SLAB.
- REMOVE EXISTING WOOD STAIRS IN ITS ENTIRETY.
- LOCATION OF EXISTING ELECTRIC EQUIPMENT. SEE MEP DRAWINGS.
- LOCATION OF EXISTING GAS SERVICE. SEE MEP DRAWINGS.
- LOCATION OF EXISTING WATER OR FIRE SERVICE. SEE MEP & FP DRAWINGS.
- EXISTING SPACE UNDER SILL OR R.C.W.
- REMOVE EXISTING INFILL AT FOUNDATION WALL OPENING. CONTACT ARCHITECT WHEN AREA IS ACCESSIBLE FOR INVESTIGATION.
- REMOVE EXISTING STRUCTURE. PROVIDE TEMPORARY SHORING. SEE STRUCTURAL DRAWINGS.
- REMOVE STONE SILL AS REQUIRED FOR CONSTRUCTION OF NEW HANDICAP ACCESSIBLE ENTRANCE. SEE NEW WORK PLANS AND STRUCTURAL DRAWINGS.
- REMOVE AREA OF CONCRETE SLAB OR WOOD FLOOR FRAMING AS REQUIRED FOR CONSTRUCTION OF NEW HANDICAP ACCESSIBLE ENTRANCE. SEE NEW WORK PLANS AND STRUCTURAL DRAWINGS.
- REMOVE AREA OF FLOOR FRAMING AS REQUIRED FOR NEW WORK. SEE NEW WORK PLANS AND STRUCTURAL DRAWINGS. PROVIDE TEMPORARY BRACING OR SHORING AS REQUIRED.
- NEW MASONRY OPENING. SEE NEW WORK PLANS AND STRUCTURAL DRAWINGS. PROVIDE TEMPORARY BRACING OR SHORING AS REQUIRED.
- LINE OF EXISTING BAY WINDOW ABOVE. REMOVE UNDERSIDE OF BAY ENOUGH FOR ARCHITECT AND STRUCTURAL ENGINEER TO INSPECT FLOOR STRUCTURE.
- EXISTING FIRE ESCAPE TO REMAIN. GENERAL CONTRACTOR SHALL BE RESPONSIBLE FOR FIRE ESCAPE EXAMINATION INSPECTION AND REPAIRS PER CITY OF CINCINNATI. CLEAN AND PAINT.
- REMOVE PORTION OF EXISTING FIRE ESCAPE AT 4TH FLOOR THAT CONNECTS TO THE ADJACENT BUILDING'S EXISTING FIRE ESCAPE. GENERAL CONTRACTOR SHALL BE RESPONSIBLE FOR FIRE ESCAPE EXAMINATION, INSPECTION, AND REPAIRS PER CITY OF CINCINNATI. CLEAN AND PAINT.
- MODIFY EXIST. FIRE ESCAPE LADDER AS REQUIRED TO ACCOMMODATE NEW SLAB HEIGHT. GENERAL CONTRACTOR SHALL BE RESPONSIBLE FOR FIRE ESCAPE EXAMINATION INSPECTION AND REPAIRS PER CITY OF CINCINNATI. CLEAN AND PAINT.
- EXISTING STONE ENTRY STEP(S) TO REMAIN.
- REMOVE EXISTING DOWNSPOUT.
- REMOVE EXISTING HUNG GUTTER AND ALL ANCHORS.
- REMOVE EXISTING CONCRETE STEPS.
- REMOVE EXISTING GLASS BLOCK AND INFILL IN HISTORIC MASONRY OPENING. EXERCISE CAUTION SO AS NOT TO DAMAGE ADJACENT HISTORIC MASONRY.
- REMOVE EXISTING WALL FURRING. EXERCISE CAUTION SO AS NOT TO DAMAGE HISTORIC PLASTER AND TRIM BEHIND FURRING. EXISTING PLASTER, BASEBOARD AND WINDOW TRIM BEHIND FURRING TO REMAIN. CONTACT ARCHITECT WHEN FURRING HAS BEEN REMOVED FOR INSPECTION.
- EXISTING INTERCOM BOX TO BE REMOVED.
- EXISTING CONDENSING UNIT, METAL SURROUND AND ASSOCIATED ANCHORS AND ATTACHMENTS (WHERE OCCURS) TO BE REMOVED.
- EXISTING WOOD FRAMED STORAGE COMPARTMENT TO REMOVED.
- EXISTING STEEL FRAME AND GATE TO BE REMOVED.
- EXISTING BOLLARD TO BE REMOVED IN ITS ENTIRETY.
- EXISTING CONCRETE RAMP AT ADJACENT BUILDING TO REMAIN. PROTECT DURING ALL PHASES OF CONSTRUCTION. GENERAL CONTRACTOR SHALL COORDINATE WORK IN SHARED PASSAGEWAY WITH ADJACENT PROPERTY OWNER.
- EXISTING GATE AND FENCE TO BE REMOVED. CONTRACTOR CAN SALVAGE FOR REUSE IF ECONOMICALLY FEASIBLE. REFER TO NEW WORK PLANS.
- EXISTING FLOOR DRAIN TO REMAIN. CONTRACTOR TO VERIFY IF DRAIN IS IN WORKING CONDITION. SEE PLUMBING DRAWINGS.
- EXISTING SURFACE-MOUNTED MAILBOXES TO BE REMOVED. EXERCISE CAUTION SO NOT TO DAMAGE HISTORIC BEADBOARD OR PLASTER. REFER TO NEW WORK PLANS.
- EXISTING 1-STORY ADDITION TO BE DEMOLISHED. REMOVE EXISTING SLAB ON GRADE (ASSUMED - VIP). SEE NEW WORK PLAN AND STRUCTURAL DRAWINGS.
- NEW DOOR OPENING AT LOCATION OF EXISTING WINDOW OPENING. REMOVE EXISTING MASONRY INFILL, REMOVE SILL AND PORTIONS OF MASONRY WALL BELOW SILL AS REQUIRED TO INSTALL NEW DOOR, FRAME, AND TRANSOM. MASONRY OPENING WILL NEED ENLARGED AS SHOWN - PROVIDE TEMPORARY BRACING OR SHORING AS REQ'D. SEE STRUCTURAL DWGS FOR LINTEL. COORDINATE WITH NEW WORK PLANS FOR REQ'D DIMENSIONS.
- LOCATION OF EXISTING ROOF HATCH. REFER TO NEW WORK PLANS.
- EXISTING METAL OR STONE CHIMNEY CAPS. REPLACE IF CAP IF DETEIORATED OR MISSING.
- REMOVE AND REPLACE DETEIORATED WOOD RAKE BOARDS. REFER TO NEW WORK PLANS AND ELEVATIONS.
- EXISTING BRICK SITE PARTY WALL TO REMAIN. REMOVE DAMAGED METAL COPING. REFER TO NEW WORK PLANS.
- EXISTING BAIT INSULATION AT ATTIC FLOOR AND CEILING TO BE REMOVED.
- REMOVE EXISTING STOOP CONSTRUCTION AS REQUIRED TO ACCOMMODATE NEW WORK.
- ARCHITECT WAS NOT ABLE TO ACCESS THIS AREA. CONTACT ARCHITECT WHEN ACCESSIBLE.



NOT FOR CONSTRUCTION

CITYSTUDIOS ARCHITECTURE
1148 Main Street
Cincinnati, OH 45202
ph. 513.621.0750
citystudiosarch.com

advantage
STRUCTURAL ENGINEERS
1527 Madison Road
Cincinnati, OH 45206
513.396.8900
www.advantage66.com

VIX & VIX
Civil Engineers, Architects and Landscape Architects
1148 Main Street
Cincinnati, OH 45202
www.vixandvix.com

PE Services
Professional Engineers
9 North Broadway
Lebanon, OH 45046
513-836-3010

RUSS ALLEY
1623 - 1625 VINE STREET, 1624 REPUBLIC STREET
(1625 VINE HPTC APPLICATION)
CINCINNATI, OH 45202

3CDC CINCINNATI CENTER CITY DEVELOPMENT CORPORATION

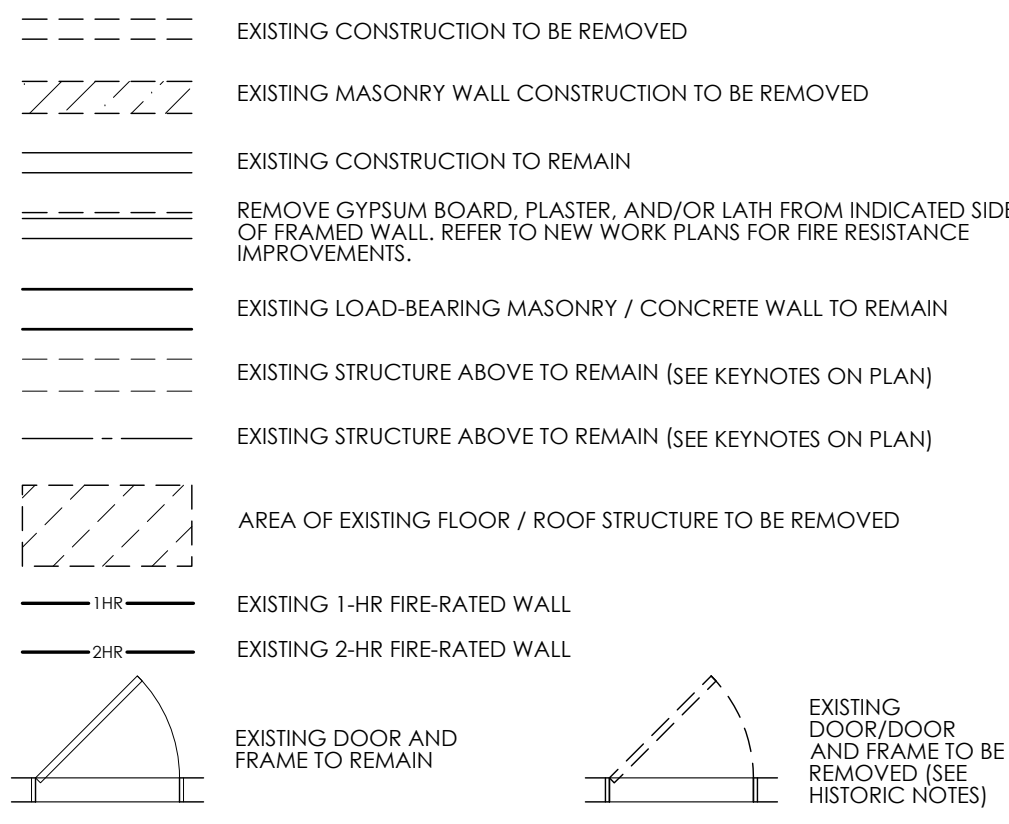
ISSUE LOG:
06.02.2023
ISSUE FOR PERMIT
07.14.2023
PERMIT REVISION 1
09.21.2023
OHFA PRELIM. SUBMISSION

FIRST FLOOR
DEMOLITION PLAN

A2.1

PRELIMINARY:
NOT FOR CONSTRUCTION

DEMOLITION PLAN GRAPHIC KEY



DEMOLITION PLAN GENERAL NOTES

- ALL DASHED ELEMENTS TO BE REMOVED. U.N.O. CONSULT ARCH. IF INTENT IS UNCLEAR.
- ALL LOAD-BEARING WALLS, COLUMNS, BEAMS, AND STRUCTURAL ELEMENTS TO REMAIN. U.N.O. WHERE EXISTING STRUCTURE IS NOTED TO BE REMOVED, SHORE AND BRACE EXISTING BUILDING AS REQUIRED, WHERE EXISTING STUD-FRAMED WALLS ARE INDICATED TO REMAIN, REMOVE GYP. BOARD AND OTHER NON-HISTORIC WALL FINISHES, FASTENERS, INSULATION, ETC. DOWN TO STUDS. REMOVE BASEBOARDS. PREP FOR NEW WORK.
- COORDINATE ANY NEW MASONRY OPENINGS WITH NEW WORK PLANS. TOOTH OUT BRICK AT JAMBS AND SALVAGE SUFFICIENT BRICK FOR KEYING IN AT JAMBS. REFER TO STRUCTURAL DWGS.
- REFER TO DEMOLITION ELEVATION GENERAL NOTES ON THE A5.0 SHEET SERIES OF EXTERIOR ELEVATIONS FOR TREATMENT OF HISTORIC MASONRY.
- HISTORIC STONE LINTELS AND SILLS ARE TO REMAIN. REMOVE ALL CRACKED LINTELS IN PREPARATION FOR NEW CAST STONE LINTEL TO MATCH EXISTING. REFER TO DEMOLITION AND NEW WORK ELEVATIONS AND STRUCTURAL DRAWINGS. CONTRACTOR IS TO INSPECT ALL INTERIOR WOOD LINTELS AND NOTIFY ARCHITECT/STRUCTURAL ENGINEER OF DETEIORATION.
- CONTRACTOR SHALL EVALUATE CONDITION OF ALL EXISTING PLASTER SURFACES AND REMOVE ALL LOOSE PLASTER FROM ALL SURFACES NOT OTHERWISE SCHEDULED FOR DEMOLITION. STABLE PLASTER IS TO REMAIN UNLESS NOTED OTHERWISE. EXERCISE CARE SO AS NOT TO DAMAGE STABLE PLASTER ADJACENT TO LOOSE PLASTER AND SO NOT TO DAMAGE SUBSTRATE OR STRUCTURE BEYOND.
- REMOVE ALL TEMPORARY BARRICADES FROM DOORS, WINDOWS, STOREFRONTS.
- REMOVE ALL VIVY AND ANY SIMILAR PLANT GROWTH FROM EXISTING BRICK AND STONE.
- ALL CHIMNEYS & ASSOCIATED ELEMENTS ARE TO REMAIN. U.N.O. VERIFY STRUCTURAL INTEGRITY IN FIELD - SEE NOTES ON STRUCTURAL DWGS.
- REMOVE ALL EXISTING NON-HISTORIC VINYL, CARPET AND TILE FLOORING INCLUDING ANY ADHESIVES, FASTENERS, OR UNDERLAYMENTS DOWN TO ORIGINAL WOOD FINISH FLOOR OR SUBFLOOR. U.N.O.
- REMOVE ALL GYPSUM BOARD, PLASTER AND LATH, AND/OR SUSPENDED CEILINGS TO EXPOSE FLOOR JOISTS / ROOF BATTENS AND PERMITS INSTALLATION OF CONCEALED MECHANICAL, ELECTRICAL, AND PLUMBING SYSTEMS. U.N.O. CONTACT ARCHITECT AND STRUCTURAL ENGINEER TO ALLOW FOR INSPECTION OF EXISTING FRAMING. EXISTING PLASTER AT UNDERSIDE OF STAIR CASES REMAIN IF IN GOOD STABLE CONDITION.
- REMOVE ALL EXISTING CABINETS, COUNTERTOPS, AND KITCHEN APPLIANCES.
- REMOVE ALL EXISTING BATHROOM AND KITCHEN FIXTURES. U.N.O.
- COORDINATE WITH MECHANICAL, ELECTRICAL, AND PLUMBING DRAWINGS AND REMOVE ALL EXISTING EQUIPMENT, FIXTURES, DUCTS, PIPES, WIRES, ETC. EXTRANEOUS TO THE NEW BUILDING SYSTEMS. CAP AND TERMINATE AS REQ'D BY CABLE CODES AND UTILITY PROVIDERS.
- NEW OPENINGS FOR M.E.P. SYSTEMS ARE NOT SHOWN. TRENCHING OF CONCRETE FLOOR SLAB AND DEMO WORK FOR PLUMBING AND UTILITIES IS NOT SHOWN. CONTRACTOR TO COORDINATE THIS WORK WITH M.E.P. DRAWINGS.
- REMOVE ALL LAYERS OF EXISTING ROOFING (AND INSULATION WHERE OCCURS) DOWN TO EXISTING ROOF SHEATHING. REMOVE ALL DAMAGED AND DETEIORATED ROOF SHEATHING IN PREPARATION FOR NEW ROOF SHEATHING. REMOVE ALL ROOF FASTENERS, FLASHING, TERMINATION BARS, ETC. TO PREPARE FOR NEW ROOF. SEQUENCE THIS WORK WITH NEW ROOF INSTALLATION SO AS TO PROTECT BUILDING FROM THE ELEMENTS AT ALL TIMES.

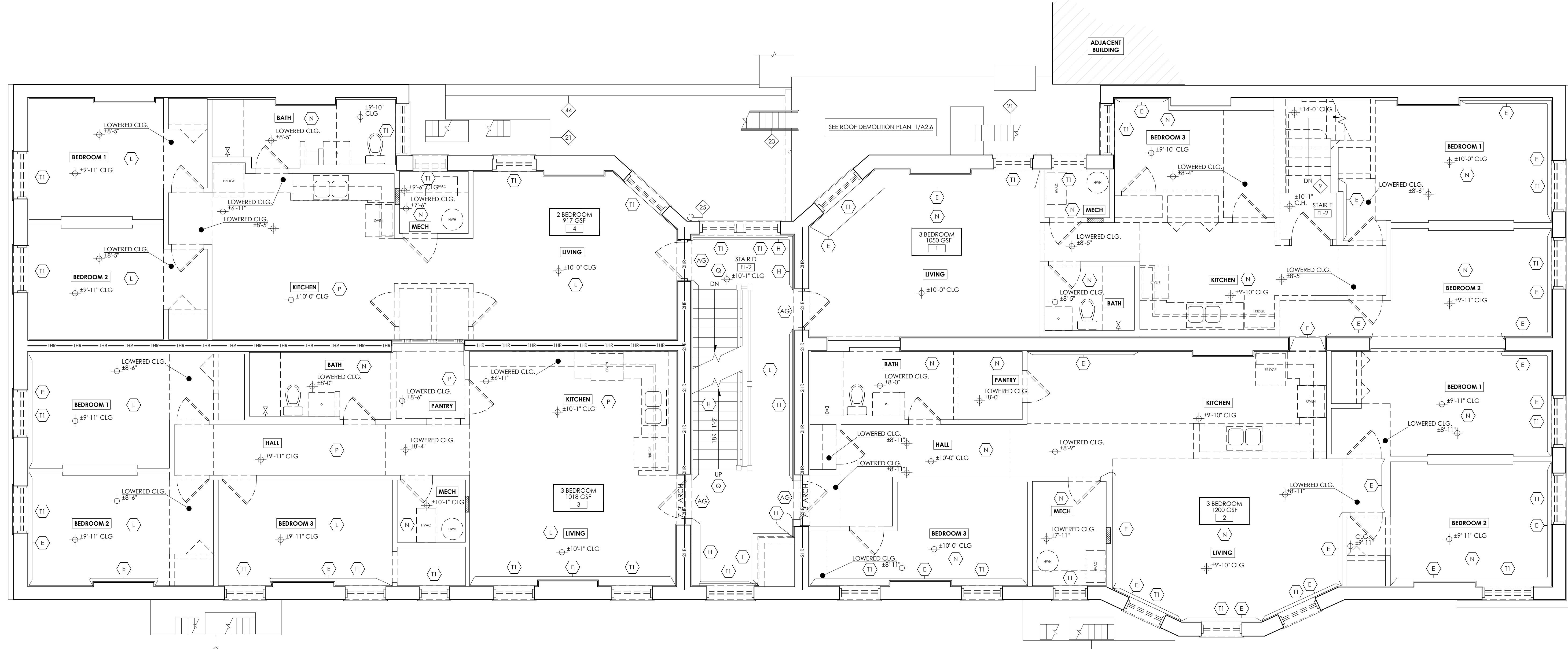
HISTORIC KEYNOTES

- REFER TO DOOR AND WINDOW TAGS ON NEW WORK PLANS AND TO DOOR AND WINDOW SCHEDULES ON SHEETS A0.4 AND A0.5 FOR DETAILED SCOPE OF WORK AT HISTORIC DOOR AND WINDOW OPENINGS.
 - IF NOTE OCCURS AT CENTER OF ROOM, NOTE APPLIES TO ALL WALLS, U.N.O.
 - BRICK TO REMAIN EMPLOYED WHERE NO PLASTER IS PRESENT. PROVIDE MASONRY CONSOLIDATOR, PRIME AND PAINT WHERE PREVIOUSLY PAINTED.
 - REMOVE AND SALVAGE HISTORIC METAL STAMPED CEILING PLANS AND CROWN MOULDING FOR REINSTALLATION OVER FIRE-RATED CEILING. SEE NEW WORK PLANS FOR LOCATION OF REINSTALLED CEILING.
 - NOT USED
 - NOT USED
 - EXISTING HISTORIC WOOD BASEBOARD TO REMAIN IN PLACE. REPAIR TO MATCH EXISTING WHERE DAMAGED OR DETEIORATED AND PAINT.
 - REMOVE AND SALVAGE EXISTING HISTORIC WOOD BASEBOARD FOR REINSTALLATION WHERE WALL IS TO BE FURRED OUT FOR THERMAL INSULATION OR WHERE PLASTER IS TO BE REMOVED TO IMPROVE FIRE RESISTANCE RATING. (SEE WALL TYPES AND NEW WORK PLANS FOR ADDITIONAL INFORMATION). REINSTALL SALVAGED HISTORIC BASEBOARD OVER NEW GYPSUM BOARD. REPAIR, PRIME AND PAINT.
 - REMOVE EXISTING HISTORIC BASEBOARD REMNANTS.
 - HISTORIC WOOD BEADBOARD WAINSCOT AND CHAIR RAIL TO REMAIN - REPAIR AND PAINT, WHERE DETEIORATED OR MISSING PROVIDE NEW TO MATCH - PAINT.
 - REMOVE EXISTING HISTORIC WOOD BEADBOARD WAINSCOT AND CHAIR RAIL SALVAGE FOR RELOCATION. INSTALL AT STAIRWALL WALLS NOW EXPOSED BY SHAFT WALL DEMOLITION - SEE NEW WORK PLANS. REPAIR, PRIME, PAINT.
 - REMOVE EXISTING HISTORIC CROWN MOULDING REMNANTS.
 - EXISTING HISTORIC MANTEL AND HEARTH (WHERE OCCURS) TO REMAIN IN PLACE. CLEAN AND REPAIR AS REQ'D. PROVIDE NEW PAINT AT MANTEL WHERE PREVIOUSLY PAINTED. PROVIDE NEW STAIR AT MANTEL WHERE PREVIOUSLY STAINED.
 - HISTORIC WOOD FLOORING TO REMAIN. PATCH ALL DAMAGED, DETEIORATED, OR MISSING BOARDS. REFINISH. SEE FINISH SCHEDULE ON A0.2 FOR ADDITIONAL INFO.
 - EXISTING HISTORIC HISTORIC TILE FLOORS TO REMAIN IN PLACE. REPAIR AS REQ'D. SEE FINISH SCHEDULE ON A0.2.
 - EXISTING WOOD FLOORING TO BE CONCEALED BY NEW FINISH FLOORING AS INDICATED ON FINISH SCHEDULE. SEE A0.2 FOR ADDITIONAL INFO.
 - REMOVE EXISTING HISTORIC METAL FLOOR GRATE AND SALVAGE FOR REINSTALLATION AT EXISTING LOCATION ABOVE NEW FLOOR INFILL. GRATE SHALL BE FLUSH WITH NEW FLOORING.
 - CONTEMPORARY VINYL FLOORING AND LATH SUBSTRATE TO BE CAREFULLY REMOVED TO EXPOSE EXISTING HISTORIC WOOD FLOORING. PATCH ALL DAMAGED, DETEIORATED, OR MISSING BOARDS. REFINISH. SEE FINISH SCHEDULE ON A0.2 FOR ADDITIONAL INFO.
 - EXISTING HISTORIC STAIR, NEWEL POSTS, NEWEL POST CAPS, BALUSTRADES, AND HANDRAILS (WHERE OCCURS) TO REMAIN. REPAIR OR REPLACE DAMAGED / DETEIORATED / MISSING STAIR COMPONENTS TO MATCH EXIST. PAINT.
 - EXISTING HISTORIC SKYLIGHT TO REMAIN. REPAIR AND REGLAZE AS REQUIRED. SEE STRUCTURAL DWGS. HISTORIC WOOD BEADBOARD SURROUND TO REMAIN. REPAIR AS REQ'D - PAINT.
 - HISTORIC WOOD BEADBOARD SURROUND AT ABANDONED, INFILLED, SKYLIGHT TO REMAIN. REMOVE, SALVAGE, AND REINSTALL OR REPLACE HISTORIC BEADBOARD SURROUND AS REQ'D TO FIRE-RATE SURROUNDING BEAMS. PAINT.
- *COMBINE LETTERS IN "WINDOW" CATEGORY WITH NUMBERS OF "WINDOW TRIM" CATEGORY**
- REMOVE NON-HISTORIC WINDOW, HISTORIC WOOD WEIGHT BOX AND BRICK MOULD TO REMAIN. INSTALL NEW WINDOW WITHIN WEIGHT BOX. REPLACE DETEIORATED HISTORIC WOOD BRICK MOULD TO MATCH HISTORIC PROFILE IF REQUIRED. PAINT.
 - PROVIDE NEW CUSTOM WOOD WINDOW AND BRICKMOULD TO MATCH EXISTING ADJACENT HISTORIC WINDOW. INSTALLATION TO MATCH HISTORIC INSTALLATION - PAINT.
 - REMOVE NON-HISTORIC WINDOW OR HILL (WHERE OCCURS) BACK TO HISTORIC ROUGH MASONRY OPENING, INCLUDING BLOCKING, WEIGHT BOXES, AND BRICK MOULD (WHERE PRESENT). INFILL PER NEW WORK PLANS. EXISTING EXTERIOR HEADER AND SILL TO REMAIN. REFER TO NEW WORK PLANS.
 - EXISTING HISTORIC WOOD WINDOW AND ALL ASSOCIATED WINDOW COMPONENTS TO REMAIN. REPAIR TO AN OPERABLE CONDITION - PAINT. INSTALL NEW EXTERIOR STORM WINDOW (WHERE APPLICABLE).

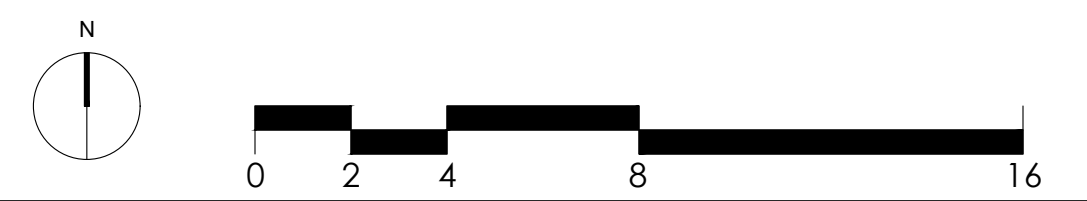
DEMOLITION PLAN KEYNOTES

- EXISTING CONCRETE SLAB TO REMAIN.
- REMOVE EXISTING CONCRETE SIDEWALK PER DOTE STANDARDS. SEE CIVIL DRAWINGS.
- REMOVE EXISTING CONCRETE SIDEWALK. SEE CIVIL DRAWINGS.
- EXISTING CAST IRON OR STEEL COLUMN TO REMAIN.
- LINE OF EXISTING STRUCTURE ABOVE TO REMAIN (BEAM, HEADER, ROOF OVERHANG, ETC.). IF BEAM IS CONCEALED - REMOVE PLASTER OR DRYWALL ENCLOSURE AT BEAM.
- REMOVE EXISTING SLAB ON GRADE. PREP FOR NEW SLAB AND WATERPROOFING.
- LOCATION OF EXISTING BASEMENT WINDOW WELL.
- EXISTING WOOD FRAMED STAIRS TO REMAIN. MODIFY BOTTOM RISER(S) AS REQ'D IF LOCATED AT NEW BASEMENT SLAB.
- EXISTING HISTORIC SLIDING METAL DOOR AND TRACK. REMOVE AND REINSTALL IN FIXED OPEN POSITION. NEW FIRE RATED DOOR AND FRAME TO BE INSTALLED.
- LOCATION OF EXISTING ELECTRICAL EQUIPMENT. SEE MEP DRAWINGS.
- LOCATION OF EXISTING GAS SERVICE. SEE MEP DRAWINGS.
- LOCATION OF EXISTING WATER OR FIRE SERVICE. SEE MEP & FP DRAWINGS.
- EXISTING SPACE UNDER SIDEWALK/R.O.W.
- REMOVE EXISTING INFILL AT FOUNDATION WALL OPENING. CONTACT ARCHITECT WHEN AREA IS ACCESSIBLE FOR INVESTIGATION.
- REMOVE EXISTING STRUCTURE. PROVIDE TEMPORARY SHORING. SEE STRUCTURAL DRAWINGS.
- REMOVE STONE SILL AS REQUIRED FOR CONSTRUCTION OF NEW HANDICAP ACCESSIBLE ENTRANCE. SEE NEW WORK PLANS AND STRUCTURAL DRAWINGS.
- REMOVE AREA OF CONCRETE SLAB OR WOOD FLOOR FRAMING AS REQUIRED FOR CONSTRUCTION OF NEW HANDICAP ACCESSIBLE ENTRANCE. SEE NEW WORK PLANS AND STRUCTURAL DRAWINGS.
- REMOVE AREA OF FLOOR FRAMING AS REQUIRED FOR NEW WORK. SEE NEW WORK PLANS AND STRUCTURAL DRAWINGS. PROVIDE TEMPORARY BRACING OR SHORING AS REQUIRED.
- NEW MASONRY OPENING. SEE NEW WORK PLANS AND STRUCTURAL DRAWINGS. PROVIDE TEMPORARY BRACING OR SHORING AS REQUIRED.
- LINE OF EXISTING BAY WINDOW ABOVE. REMOVE UNDERSIDE OF BAY ENOUGH FOR ARCHITECT AND STRUCTURAL ENGINEER TO INSPECT FLOOR STRUCTURE.
- EXISTING FIRE ESCAPE TO REMAIN. GENERAL CONTRACTOR SHALL BE RESPONSIBLE FOR FIRE ESCAPE EXAMINATION INSPECTION AND REPAIRS PER CITY OF CINCINNATI. CLEAN AND PAINT.
- REMOVE PORTION OF EXISTING FIRE ESCAPE AT 4TH FLOOR THAT CONNECTS TO THE ADJACENT BUILDING'S EXISTING FIRE ESCAPE. GENERAL CONTRACTOR SHALL BE RESPONSIBLE FOR FIRE ESCAPE EXAMINATION, INSPECTION, AND REPAIRS PER CITY OF CINCINNATI. CLEAN AND PAINT.
- MODIFY EXIST. FIRE ESCAPE LADDER AS REQUIRED TO ACCOMMODATE NEW SLAB HEIGHT. GENERAL CONTRACTOR SHALL BE RESPONSIBLE FOR FIRE ESCAPE EXAMINATION INSPECTION AND REPAIRS PER CITY OF CINCINNATI. CLEAN AND PAINT.
- EXISTING STONE ENTRY STEP(S) TO REMAIN.
- REMOVE EXISTING DOWNSPOUT.
- REMOVE EXISTING HUNG GUTTER AND ALL ANCHORS.
- REMOVE EXISTING CONCRETE STEPS.
- REMOVE EXISTING GLASS BLOCK AND INFILL IN HISTORIC MASONRY OPENING. EXERCISE CAUTION SO AS NOT TO DAMAGE ADJACENT HISTORIC MASONRY.
- REMOVE EXISTING WALL FURRING. EXERCISE CAUTION SO AS NOT TO DAMAGE HISTORIC PLASTER AND TRIM BEHIND FURRING. EXISTING PLASTER, BASEBOARD AND WINDOW TRIM BEHIND FURRING TO REMAIN. CONTACT ARCHITECT WHEN FURRING HAS BEEN REMOVED FOR INSPECTION.
- EXISTING INTERCOM BOX TO BE REMOVED.
- EXISTING CONDENSING UNIT, METAL SURROUND AND ASSOCIATED ANCHORS AND ATTACHMENTS (WHERE OCCURS) TO BE REMOVED.
- EXISTING WOOD FRAMED STORAGE COMPARTMENT TO REMOVED.
- EXISTING STEEL FRAME AND GATE TO BE REMOVED.
- EXISTING BOLLARD TO BE REMOVED IN ITS ENTIRETY.
- EXISTING FLOOR DRAIN TO REMAIN. CONTRACTOR TO VERIFY IF DRAIN IS IN WORKING CONDITION. SEE PLUMBING DRAWINGS.
- EXISTING GATE AND FENCE TO BE REMOVED. CONTRACTOR CAN SALVAGE FOR REUSE IF ECONOMICAL. REFER TO NEW WORK PLANS.
- EXISTING FLOOR DRAIN TO REMAIN. CONTRACTOR TO VERIFY IF DRAIN IS IN WORKING CONDITION. SEE PLUMBING DRAWINGS.
- EXISTING SURFACE-MOUNTED MAILBOXES TO BE REMOVED. EXERCISE CAUTION SO NOT TO DAMAGE HISTORIC BEADBOARD OR PLASTER. REFER TO NEW WORK PLANS.
- EXISTING 1-STORY ADDITION TO BE DEMOLISHED. REMOVE EXISTING SLAB ON GRADE (ASSUMED - VIF). SEE NEW WORK PLAN AND STRUCTURAL DRAWINGS.
- NEW DOOR OPENING AT LOCATION OF EXISTING WINDOW OPENING. REMOVE EXISTING MASONRY INFILL, REMOVE SILL AND PORTIONS OF MASONRY WALL BELOW SILL AS REQUIRED TO INSTALL NEW DOOR FRAME AND TRANSOM. MASONRY OPENING WILL NEED ENLARGED AS SHOWN - PROVIDE TEMPORARY BRACING OR SHORING AS REQ'D. SEE STRUCTURAL DWGS FOR LINTEL. COORDINATE WITH NEW WORK PLANS FOR REQ'D DIMENSIONS.
- LOCATION OF EXISTING ROOF HATCH. REFER TO NEW WORK PLANS.
- EXISTING METAL OR STONE CHIMNEY CAPS. REPLACE IF CAP IF DETEIORATED OR MISSING.
- REMOVE AND REPLACE DETEIORATED WOOD RAKE BOARDS. REFER TO NEW WORK PLANS AND ELEVATIONS.
- EXISTING BRICK SITE PARTY WALL TO REMAIN. REMOVE DAMAGED METAL COPING. REFER TO NEW WORK PLANS.
- EXISTING BATT INSULATION AT ATTIC FLOOR AND CEILING TO BE REMOVED.
- REMOVE EXISTING STOOP CONSTRUCTION AS REQUIRED TO ACCOMMODATE NEW WORK.
- ARCHITECT WAS NOT ABLE TO ACCESS THIS AREA. CONTACT ARCHITECT WHEN ACCESSIBLE.

- EXISTING BRICK PARAPET WALL WITH TERRA COTTA COPING TO REMAIN. REFER TO GENERAL NOTES FOR MASONRY CLEANING AND RESTORATION. SEE ROOF NEW WORK PLANS FOR COPING REPAIRS.
- CUT NEW OR ENLARGED OPENING IN EXISTING ROOF OR ATTIC STRUCTURE FOR NEW ROOF HATCH. SEE NEW WORK PLANS AND STRUCTURAL DWGS.
- CONTRACTOR TO SALVAGE EXIST. BATH TUB FOR REUSE IF IN GOOD CONDITION. REMOVE EXIST. TUB SURROUND. REFER TO NEW WORK AND PLUMBING PLANS. ENSURE TUB AT FIRE-RATED WALL DOES NOT INTERRUPT RATING.
- REMOVE NON-HISTORIC DOOR, FRAME, LINTEL, AND SILL. PREPARE OPENING FOR MASONRY INFILL PER NEW WORK PLANS.
- LINE INDICATES SLOPED UNDERSIDE OF EXISTING HISTORIC STAIR ABOVE. REMOVE FINISHES AND PREP FOR NEW GYP. BOARD AND FIRE RATING WHERE NOTED ON NEW WORK PLANS.
- REMOVE HISTORIC WOOD BEADBOARD AT CEILING.
- REMOVE FLOOR HATCH. PREP FLOOR OPENING FOR INFILL. REFER TO NEW WORK PLANS AND STRUCTURAL DWGS.
- LOCATION OF INTERNAL ROOF DRAIN LEADER. CONTRACTOR TO VERIFY CONDITION OF LEADER AND STORM CONNECTION. SCOPE EXISTING BELOW-GRADE STORM LINES. REFER TO NEW WORK PLANS AND PLUMBING DWGS.
- EXISTING STEEL/WOOD JOIST END REINFORCEMENT BEAMS AND POSTS. SEE STRUCTURAL DRAWINGS.
- EXISTING POST TO REMAIN. SEE STRUCTURAL DRAWINGS.
- EXISTING CAST IRON CURBS TO REMAIN OR BE REPLACED IF DETEIORATED BEYOND REPAIR. SEE EXTERIOR ELEVATIONS AND STRUCTURAL DWGS.
- RAISE EXISTING HEADER AT EXISTING OPENING. REFER TO NEW WORK PLANS.
- REMOVE EXISTING SLAB ON DECK. REFER TO STRUCTURAL DWGS.
- REMOVE PORTION OF SLAB AND EXCAVATE AS REQUIRED FOR AS REQUIRED FOR NEW FOOTINGS, SHOWN FOR REFERENCE. SEE STRUCTURAL DRAWINGS AND NEW WORK PLAN.



SECOND FLOOR DEMOLITION PLAN
1/4" = 1'-0"



NOT FOR CONSTRUCTION

CITYSTUDIOS ARCHITECTURE
1148 Main Street
Cincinnati, OH 45202
ph. 513.621.0750
citystudiosarch.com

advantage
STRUCTURAL ENGINEERS
1527 Madison Road
Cincinnati, OH 45206
513.396.8900
www.advantage66.com

VIOX & VIOX
Civil Engineers, Surveyors, and Landmark Architects
4400 Springdale Avenue, Cincinnati, OH 45242
www.vioxandviox.com

PE Services
Professional Engineers
9 North Broadway
Lebanon, OH 45046
513-836-3510

RUSS ALLEY
1623 - 1625 VINE STREET, 1624 REPUBLIC STREET
(1625 VINE HPTC APPLICATION)
CINCINNATI, OH 45202

3CDC CINCINNATI CENTER CITY DEVELOPMENT CORPORATION

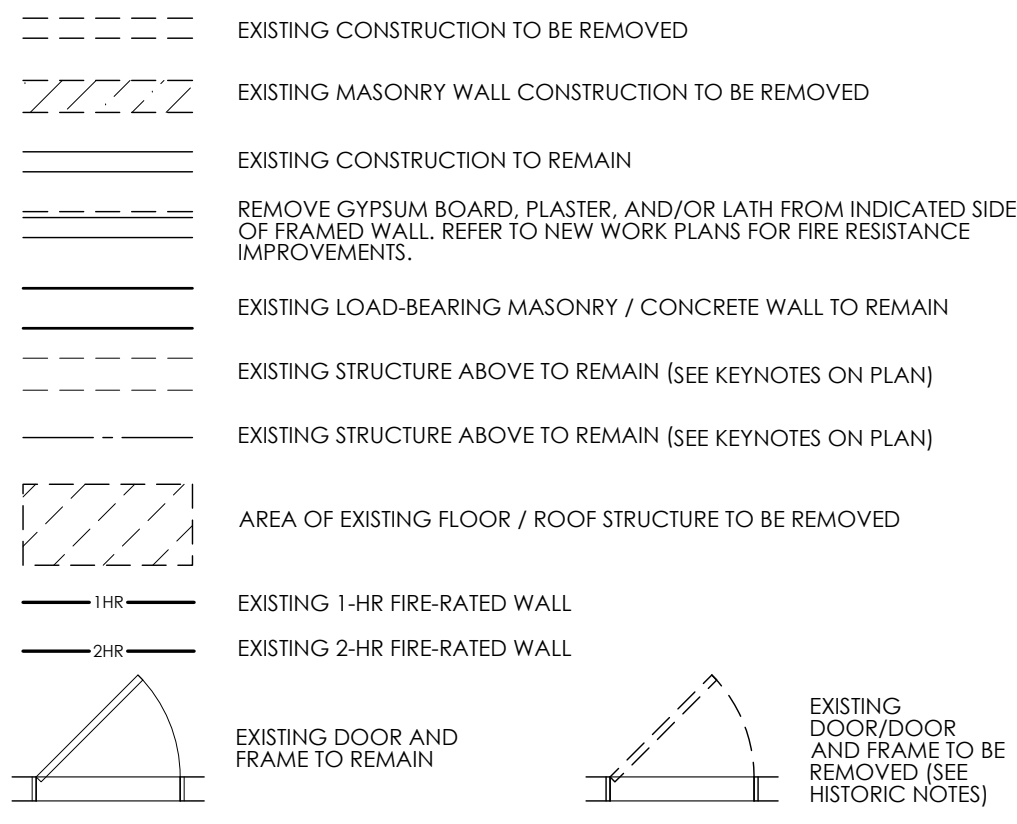
ISSUE LOG:
06.02.2023 ISSUE FOR PERMIT
07.14.2023 PERMIT REVISION 1
09.21.2023 OHFA PRELIM. SUBMISSION

SECOND FLOOR DEMOLITION PLAN

A2.2

PRELIMINARY:
NOT FOR CONSTRUCTION

DEMOLITION PLAN GRAPHIC KEY



DEMOLITION PLAN GENERAL NOTES

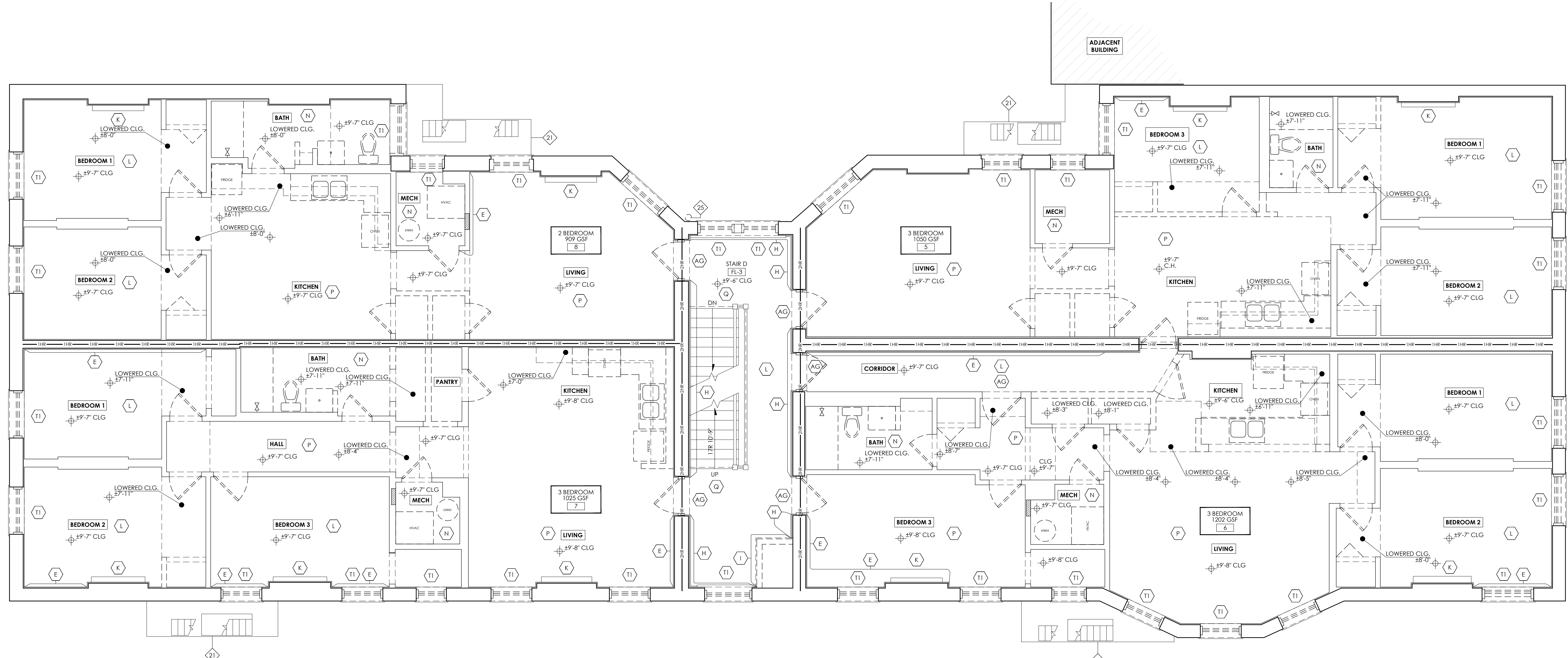
- ALL DASHED ELEMENTS TO BE REMOVED. U.N.O. CONSULT ARCH. IF INTENT IS UNCLEAR.
- ALL LOAD-BEARING WALLS, COLUMNS, BEAMS, AND STRUCTURAL ELEMENTS TO REMAIN. U.N.O. WHERE EXISTING STRUCTURE IS NOTED TO BE REMOVED, SHORE AND BRACE EXISTING BUILDING AS REQUIRED.
- WHERE EXISTING STUD FRAMED WALLS ARE INDICATED TO REMAIN, REMOVE GYP. BOARD AND OTHER NON-HISTORIC WALL FINISHES, FASTENERS, INSULATION, ETC. DOWN TO STUDS. REMOVE BASEBOARDS. PREP FOR NEW WORK.
- COORDINATE ANY NEW MASONRY OPENINGS WITH NEW WORK PLANS. TOOTH OUT BRICK AT JAMBS AND SALVAGE SUFFICIENT BRICK FOR KEYING IN AT JAMBS. REFER TO STRUCTURAL DWGS.
- REFER TO 'DEMOLITION ELEVATION GENERAL NOTES' ON THE A5.0 SHEET SERIES OF EXTERIOR ELEVATIONS FOR TREATMENT OF HISTORIC MASONRY.
- HISTORIC STONE UNITS AND SILLS ARE TO REMAIN. REMOVE ALL CRACKED UNITS IN PREPARATION FOR NEW CAST STONE UNITS. TO MATCH EXISTING. REFER TO DEMOLITION AND NEW WORK ELEVATIONS AND STRUCTURAL DRAWINGS. CONTRACTOR IS TO INSPECT ALL INTERIOR WOOD UNITS AND NOTIFY ARCHITECT/STRUCTURAL ENGINEER OF DETEIORATION.
- CONTRACTOR SHALL EVALUATE CONDITION OF ALL EXISTING PLASTER SURFACES AND REMOVE ALL LOOSE PLASTER FROM ALL SURFACES NOT OTHERWISE SCHEDULED FOR DEMOLITION. STABLE PLASTER IS TO REMAIN UNLESS NOTED OTHERWISE. EXERCISE CARE SO AS NOT TO DAMAGE STABLE PLASTER ADJACENT TO LOOSE PLASTER AND SO NOT TO DAMAGE SUBSTRATE OR STRUCTURE BEYOND.
- REMOVE ALL TEMPORARY BARICADES FROM DOORS, WINDOWS, STOREFRONTS.
- REMOVE ALL VIV AND ANY SIMILAR PLANT GROWTH FROM EXISTING BRICK AND STONE.
- ALL CHIMNEYS & ASSOCIATED ELEMENTS ARE TO REMAIN. U.N.O. VERIFY STRUCTURAL INTEGRITY IN FIELD - SEE NOTES ON STRUCTURAL DWGS.
- REMOVE ALL EXISTING NON-HISTORIC VINYL, CARPET AND TILE FLOORING INCLUDING ANY ADHESIVES, FASTENERS, OR UNDERLAYMENTS DOWN TO ORIGINAL WOOD FINISH FLOOR OR SUBFLOOR. U.N.O.
- REMOVE ALL GYPSUM BOARD, PLASTER AND LATH, AND/OR SUSPENDED CEILINGS TO EXPOSE FLOOR JOISTS, ROOF RAFTERS AND PERMIT INSTALLATION OF CONCEALED MECHANICAL, ELECTRICAL, AND PLUMBING SYSTEMS. U.N.O. CONTACT ARCHITECT AND STRUCTURAL ENGINEER TO ALLOW FOR INSPECTION OF EXISTING FRAMING. EXISTING PLASTER AT UNDERSIDE OF STAIR CAN REMAIN IF IN GOOD STABLE CONDITION.
- REMOVE ALL EXISTING CABINETRY, COUNTERTOPS, AND KITCHEN APPLIANCES.
- REMOVE ALL EXISTING BATHROOM AND KITCHEN FIXTURES. U.N.O.
- COORDINATE WITH MECHANICAL, ELECTRICAL, AND PLUMBING DRAWINGS AND REMOVE ALL EXISTING EQUIPMENT, FIXTURES, DUCTS, PIPES, WIRES, ETC. EXCEPT THOSE TO THE NEW BUILDING SYSTEMS. CAP AND TERMINATE AS REQ'D BY CABLE CODES AND UTILITY PROVIDERS.
- NEW OPENINGS FOR M.E.P. SYSTEMS ARE NOT SHOWN. TRENCHING OF CONCRETE FLOOR SLAB AND DEMO WORK FOR PLUMBING AND UTILITIES IS NOT SHOWN. CONTRACTOR TO COORDINATE THIS WORK WITH M.E.P. DRAWINGS.
- REMOVE ALL LAYERS OF EXISTING ROOFING (AND INSULATION WHERE OCCURS) DOWN TO EXISTING ROOF SHEATHING. REMOVE ALL DAMAGED AND DETEIORATED ROOF SHEATHING IN PREPARATION FOR NEW ROOF SHEATHING. REMOVE ALL ROOF FASTENERS, FLASHING, TERMINATION BARS, ETC. TO PREPARE FOR NEW ROOF. SEQUENCE THIS WORK WITH NEW ROOF INSTALLATION SO AS TO PROTECT BUILDING FROM THE ELEMENTS AT ALL TIMES.

HISTORIC KEYNOTES

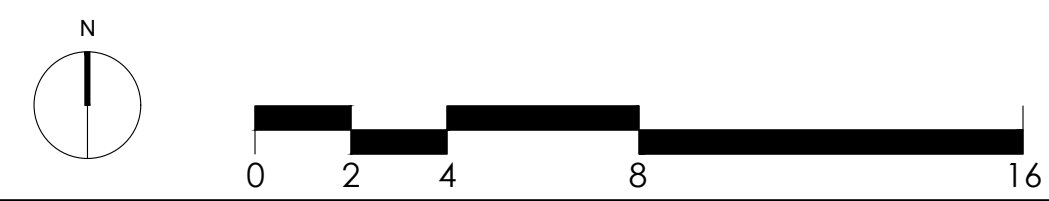
- REFER TO DOOR AND WINDOW TAGS ON NEW WORK PLANS AND TO DOOR AND WINDOW SCHEDULES ON SHEETS A0.4 AND A0.5 FOR DETAILED SCOPE OF WORK AT HISTORIC DOOR AND WINDOW OPENINGS.
 - IF NOTE OCCURS AT CENTER OF ROOM, NOTE APPLIES TO ALL WALLS, U.N.O.
 - BRICK TO REMAIN EXPOSED WHERE NO PLASTER IS PRESENT. PROVIDE MASONRY CONSOLIDATOR, PRIME AND PAINT WHERE PREVIOUSLY PAINTED.
 - REMOVE AND SALVAGE HISTORIC METAL STAMPED CEILING PANELS AND CROWN MOULDING FOR REINSTALLATION OVER FIRE-RATED CEILING. SEE NEW WORK PLANS FOR LOCATION OF REINSTALLED CEILING.
 - NOT USED
 - NOT USED
 - EXISTING HISTORIC WOOD BASEBOARD TO REMAIN IN PLACE. REPAIR TO MATCH EXISTING WHERE DAMAGED OR DETEIORATED AND PAINT.
 - REMOVE AND SALVAGE EXISTING HISTORIC WOOD BASEBOARD FOR REINSTALLATION WHERE WALL IS TO BE FURRED OUT FOR THERMAL INSULATION OR WHERE PLASTER IS TO BE REMOVED TO IMPROVE FIRE RESISTANCE RATING (SEE WALL TYPES AND NEW WORK PLANS FOR ADDITIONAL INFORMATION). REINSTALL SALVAGED HISTORIC BASEBOARD OVER NEW GYPSUM BOARD. REPAIR, PRIME AND PAINT.
 - REMOVE EXISTING HISTORIC BASEBOARD REMNANTS.
 - HISTORIC WOOD BEADBOARD WAHNSCOT AND CHAIR RAIL TO REMAIN - REPAIR AND PAINT, WHERE DETEIORATED OR MISSING PROVIDE NEW TO MATCH - PAINT.
 - REMOVE EXISTING HISTORIC WOOD BEADBOARD WAHNSCOT AND CHAIR RAIL. SALVAGE FOR RELOCATION. INSTALL AT STAIRWELL WALLS NOW EXPOSED BY SHAFT WALL DEMOLITION - SEE NEW WORK PLANS. REPAIR, PRIME, PAINT.
 - REMOVE EXISTING HISTORIC CROWN MOULDING REMNANTS.
 - EXISTING HISTORIC MANTEL AND HEARTH (WHERE OCCURS) TO REMAIN IN PLACE. CLEAN AND REPAIR AS REQ'D. PROVIDE NEW PAINT AT MANTEL WHERE PREVIOUSLY PAINTED. PROVIDE NEW STAIR AT MANTEL WHERE PREVIOUSLY STAINED.
 - HISTORIC WOOD FLOORING TO REMAIN. PATCH ALL DAMAGED, DETEIORATED, OR MISSING BOARDS. REFINISH. SEE FINISH SCHEDULE ON A0.2 FOR ADDITIONAL INFO.
 - EXISTING HISTORIC Mosaic TILE FLOORS TO REMAIN IN PLACE. REPAIR AS REQ'D. SEE FINISH SCHEDULE ON A0.2.
 - EXISTING WOOD FLOORING TO BE CONCEALED BY NEW FINISH FLOORING AS INDICATED ON FINISH SCHEDULE. SEE A0.2 FOR ADDITIONAL INFO.
 - REMOVE EXISTING HISTORIC METAL FLOOR GRATE AND SALVAGE FOR REINSTALLATION AT EXISTING LOCATION ABOVE NEW FLOOR INFILL. GRATE SHALL BE FLUSH WITH NEW FLOORING.
 - CONTEMPORARY VINYL FLOORING AND LUAN SUBSTRATE TO BE CAREFULLY REMOVED TO EXPOSE EXISTING HISTORIC WOOD FLOORING. PATCH ALL DAMAGED, DETEIORATED, OR MISSING BOARDS. REFINISH. SEE FINISH SCHEDULE ON A0.2 FOR ADDITIONAL INFO.
 - EXISTING HISTORIC STAIR, NEWEL POSTS, NEWEL POST CAPS, BALLUSTRADES, AND HANDRAILS (WHERE OCCURS) TO REMAIN. REPAIR OR REPLACE DAMAGED / DETEIORATED / MISSING STAIR COMPONENTS TO MATCH EXIST. PAINT.
 - EXISTING HISTORIC SKYLIGHT TO REMAIN. REPAIR AND REGLAZE AS REQUIRED. SEE STRUCTURAL DWGS. HISTORIC WOOD BEADBOARD SURROUND TO REMAIN. REPAIR AS REQ'D - PAINT.
 - HISTORIC WOOD BEADBOARD SURROUND AT ABANDONED, INFILLED, SKYLIGHT TO REMAIN. REMOVE, SALVAGE, AND REINSTALL OR REPLACE HISTORIC BEADBOARD SURROUND AS REQ'D TO FIRE-RATE SURROUNDING BEAMS. PAINT.
- *COMBINE LETTERS IN "WINDOW CATEGORY WITH NUMBERS OF "WINDOW TRIM" CATEGORY**
- REMOVE NON-HISTORIC WINDOW, HISTORIC WOOD WEIGHT BOX AND BRICK MOULD TO REMAIN. REPAIR, PRIME AND PAINT. REPAIR DETEIORATED HISTORIC WOOD BRICK MOULD TO MATCH HISTORIC PROFILE IF REQUIRED. PAINT.
 - PROVIDE NEW CUSTOM WOOD WINDOW AND BRICKMOULD TO MATCH EXISTING ADJACENT HISTORIC WINDOW. INSTALLATION TO MATCH HISTORIC INSTALLATION - PAINT.
 - REMOVE NON-HISTORIC WINDOW OR HILL (WHERE OCCURS) BACK TO HISTORIC ROUGH MASONRY OPENING, INCLUDING BLOCKING, WEIGHT BOXES, AND BRICK MOULD (WHERE PRESENT). INFILL PER NEW WORK PLANS. EXISTING EXTERIOR HEADR AND SILL TO REMAIN. REFER TO NEW WORK PLANS.
 - EXISTING HISTORIC WOOD WINDOW AND ALL ASSOCIATED WINDOW COMPONENTS TO REMAIN. REPAIR TO AN OPERABLE CONDITION - PAINT. INSTALL NEW EXTERIOR STORM WINDOW (WHERE APPLICABLE).

DEMOLITION PLAN KEYNOTES

- NOT USED
- REFER TO NOTES BELOW FOR TREATMENT OF INTERIOR WINDOW TRIM:
- EXISTING HISTORIC INTERIOR WOOD WINDOW TRIM TO REMAIN IN PLACE. REPAIR TO MATCH EXISTING WHERE DAMAGED OR DETEIORATED. PAINT.
- REMOVE AND SALVAGE HISTORIC INTERIOR WOOD WINDOW TRIM FOR REINSTALLATION. REPAIR TO MATCH EXISTING WHERE DAMAGED OR DETEIORATED. PROVIDE WOOD JAMB AND SILL EXTENDERS WHERE REQUIRED AT NEWLY FURRED WALLS. PRIME AND PAINT.
- PROVIDE NEW WOOD WINDOW TRIM TO MATCH ADJACENT HISTORIC WINDOW TRIM. PRIME / PAINT.
- WHERE NO EXISTING INTERIOR WINDOW TRIM IS PRESENT AT HISTORIC WINDOW OPENING, PROVIDE NEW CONTEMPORARY WOOD WINDOW TRIM. PRIME AND PAINT. SEE TYPICAL TRIM ON SHEET A0.5.
- EXISTING HISTORIC METAL DOOR AND FRAME TO REMAIN. REPAIR AND PAINT COMPONENTS PREVIOUSLY PAINTED.
- EXISTING HISTORIC SLIDING METAL DOOR AND TRACK. REMOVE AND REINSTALL IN FIXED OPEN POSITION. NEW FIRE RATED DOOR AND FRAME TO BE INSTALLED.
- EXISTING HISTORIC SLIDING METAL DOOR AND TRACK TO REMAIN. DOOR IS TO BE FIXED IN THE CLOSED POSITION. HISTORIC OPENING TO BE INFILLED.
- EXISTING HISTORIC METAL DOOR AND FRAME TO BE REMOVED. INSTALL NEW FIRE RATED DOOR AND FRAME IN EXISTING OPENING.
- EXISTING HISTORIC WOOD DOOR, FRAME, AND TRIM TO REMAIN. REPAIR AND PAINT.
- EXISTING HISTORIC WOOD DOOR AND FRAME TO REMAIN AND BE FIXED IN CLOSED POSITION. HISTORIC TRIM TO REMAIN ON EXPOSED SIDE ONLY. REFER TO NEW WORK PLANS. REPAIR, PRIME, AND PAINT.
- EXISTING HISTORIC WOOD DOOR OR CASED OPENING TRIM TO REMAIN. REPAIR, PRIME, AND PAINT.
- REMOVE HISTORIC DOOR AND FRAME. HISTORIC TRIM TO BE SALVAGED AND REINSTALLED IF WALL REMAINS AND APPLICABLE. REPAIR AND PAINT.
- HISTORIC WOOD DOOR TRIM TO REMAIN. SALVAGE AND REINSTALL AT NEW DOOR FRAME. REPAIR AND PAINT.
- REMOVE EXISTING DOOR, EXISTING FRAME AND TRIM TO REMAIN. REPAIR, PRIME, AND PAINT.
- NOT USED
- NOT USED
- REMOVE EXISTING DOOR, EXISTING HISTORIC WOOD FRAME AND TRANSOM TO REMAIN. REPAIR AND PAINT. PROVIDE NEW GLAZING OR PL WOOD PANEL AT EXISTING TRANSOM AS INDICATED ON DOOR SCHEDULE. HISTORIC TRIM TO REMAIN AT STAIR SIDE ONLY. SALVAGE HISTORIC TRIM FROM UNIT SIDE FOR REINSTALLATION OVER NEW FIRE RATED FRAME, IF REQUIRED.
- LINE OF EXISTING BAY WINDOW ABOVE. REMOVE UNDERSIDE OF BAY ENOUGH FOR ARCHITECT AND STRUCTURAL ENGINEER AS REQUIRED.
- EXISTING FIRE ESCAPE TO REMAIN. GENERAL CONTRACTOR SHALL BE RESPONSIBLE FOR FIRE ESCAPE EXAMINATION INSPECTION AND REPAIRS PER CITY OF CINCINNATI. CLEAN AND PAINT.
- REMOVE PORTION OF EXISTING FIRE ESCAPE AT 4TH FLOOR THAT CONNECTS TO THE ADJACENT BUILDING'S EXISTING FIRE ESCAPE. GENERAL CONTRACTOR SHALL BE RESPONSIBLE FOR FIRE ESCAPE EXAMINATION, INSPECTION, AND REPAIRS PER CITY OF CINCINNATI. CLEAN AND PAINT.
- EXISTING CAST IRON CUBB TO REMAIN. REPAIR AS REQ'D.
- HISTORIC STONE AND METAL ROOF CORNICE/BANDING, BRACKETS, AND MOULDING TO REMAIN. REPAIR DETEIORATED ELEMENTS TO MATCH EXISTING. PAINT IF PREVIOUSLY PAINTED.
- EXISTING HISTORIC WOOD TRANSOM BAR AND WOOD BRICK MOULD TO REMAIN - REPAIR AND PAINT. EXISTING NON-HISTORIC ENTRY DOOR AND WOOD FRAMED TRANSOM INFILL TO BE REMOVED. PROVIDE NEW ALUMINUM CLAD WOOD DOOR, SIDE PANEL, AND TRANSOM WINDOW.
- HISTORIC WOOD SHUTTERS TO BE REMOVED AND SALVAGED FOR REINSTALLATION IN THE FIXED POSITION. REPAIR AND PAINT. REMOVE EXISTING INTERIOR FRAMING AT OPENING AND PREP FOR NEW INFILL PER NEW WORK PLANS. INTERIOR TRIM TO BE REMOVED AND SALVAGED FOR REINSTALLATION. REPAIR AND PAINT.
- HISTORIC BOX GUTTER TO REMAIN. REPAIR ALL DETEIORATED ELEMENTS. PAINT. PROVIDE NEW ROOF MEMBRANE LINER AND SLOPE TO DRAIN TO NEW OR EXISTING DOWNSPOUT LOCATION.
- HISTORIC WOOD BRICK MOULD TO REMAIN - REMOVE EXIST. INFILL. PROVIDE NEW ALUMINUM CLAD WOOD DOORS AND TRANSOM WINDOW.
- HISTORIC WOOD TRANSOM, BRICK MOULD, AND INTERIOR WOOD TRIM TO REMAIN - REPAIR AND PAINT. INSTALL NEW ALUMINUM CLAD WOOD DOOR.
- REMOVE EXISTING DOWNSPOUT.
- REMOVE EXISTING HUNG GUTTER AND ALL ANCHORS.
- REMOVE EXISTING CONCRETE STEPS.
- REMOVE EXISTING CONCRETE STEPS.
- REMOVE EXISTING GLASS BLOCK AND INFILL IN HISTORIC MASONRY OPENING. EXERCISE CAUTION SO AS NOT TO DAMAGE ADJACENT HISTORIC MASONRY.
- REMOVE EXISTING WALL FURRING. EXERCISE CAUTION SO AS NOT TO DAMAGE HISTORIC PLASTER AND TRIM BEHIND FURRING. EXISTING PLASTER, BASEBOARD AND WINDOW TRIM BEHIND FURRING TO REMAIN. CONTACT ARCHITECT WHEN FURRING HAS BEEN REMOVED FOR INSPECTION.
- EXISTING INTERCOM BOX TO BE REMOVED.
- EXISTING CONDENSING UNIT, METAL SURROUND AND ASSOCIATED ANCHORS AND ATTACHMENTS (WHERE OCCURS) TO BE REMOVED.
- EXISTING WOOD FRAMED STORAGE COMPARTMENT TO REMOVED.
- EXISTING STEEL FRAME AND GATE TO BE REMOVED.
- EXISTING COLLARD TO BE REMOVED IN ITS ENTIRETY.
- LOCATION OF EXISTING ELECTRIC EQUIPMENT. SEE MEP DRAWINGS.
- LOCATION OF EXISTING GAS SERVICE. SEE MEP DRAWINGS.
- LOCATION OF EXISTING WATER OR FIRE SERVICE. SEE MEP & FP DRAWINGS.
- EXISTING SPACE UNDER SIDEWALK/R.O.W.
- REMOVE EXISTING INFILL @ FOUNDATION WALL OPENING. CONTACT ARCHITECT WHEN AREA IS ACCESSIBLE FOR INVESTIGATION.
- REMOVE EXISTING STRUCTURE. PROVIDE TEMPORARY SHORING. SEE STRUCTURAL DRAWINGS.
- REMOVE STONE SILL AS REQUIRED FOR CONSTRUCTION OF NEW HANDICAP ACCESSIBLE ENTRANCE. SEE NEW WORK PLANS AND STRUCTURAL DRAWINGS.
- REMOVE AREA OF CONCRETE SLAB OR WOOD FLOOR FRAMING AS REQUIRED FOR CONSTRUCTION OF NEW HANDICAP ACCESSIBLE ENTRANCE. SEE NEW WORK PLANS AND STRUCTURAL DRAWINGS.
- REMOVE AREA OF FLOOR FRAMING AS REQUIRED FOR NEW WORK. SEE NEW WORK PLANS AND STRUCTURAL DRAWINGS. PROVIDE TEMPORARY BRACING OR SHORING AS REQUIRED.
- NEW MASONRY OPENING. SEE NEW WORK PLANS AND STRUCTURAL DRAWINGS. PROVIDE TEMPORARY BRACING OR SHORING AS REQUIRED.
- LINE OF EXISTING BAY WINDOW ABOVE. REMOVE UNDERSIDE OF BAY ENOUGH FOR ARCHITECT AND STRUCTURAL ENGINEER AS REQUIRED.
- EXISTING FIRE ESCAPE TO REMAIN. GENERAL CONTRACTOR SHALL BE RESPONSIBLE FOR FIRE ESCAPE EXAMINATION INSPECTION AND REPAIRS PER CITY OF CINCINNATI. CLEAN AND PAINT.
- REMOVE PORTION OF EXISTING FIRE ESCAPE AT 4TH FLOOR THAT CONNECTS TO THE ADJACENT BUILDING'S EXISTING FIRE ESCAPE. GENERAL CONTRACTOR SHALL BE RESPONSIBLE FOR FIRE ESCAPE EXAMINATION, INSPECTION, AND REPAIRS PER CITY OF CINCINNATI. CLEAN AND PAINT.
- EXISTING CAST IRON CUBB TO REMAIN. REPAIR AS REQ'D.
- HISTORIC STONE AND METAL ROOF CORNICE/BANDING, BRACKETS, AND MOULDING TO REMAIN. REPAIR DETEIORATED ELEMENTS TO MATCH EXISTING. PAINT IF PREVIOUSLY PAINTED.
- EXISTING HISTORIC WOOD TRANSOM BAR AND WOOD BRICK MOULD TO REMAIN - REPAIR AND PAINT. EXISTING NON-HISTORIC ENTRY DOOR AND WOOD FRAMED TRANSOM INFILL TO BE REMOVED. PROVIDE NEW ALUMINUM CLAD WOOD DOOR, SIDE PANEL, AND TRANSOM WINDOW.
- HISTORIC WOOD SHUTTERS TO BE REMOVED AND SALVAGED FOR REINSTALLATION IN THE FIXED POSITION. REPAIR AND PAINT. REMOVE EXISTING INTERIOR FRAMING AT OPENING AND PREP FOR NEW INFILL PER NEW WORK PLANS. INTERIOR TRIM TO BE REMOVED AND SALVAGED FOR REINSTALLATION. REPAIR AND PAINT.
- HISTORIC BOX GUTTER TO REMAIN. REPAIR ALL DETEIORATED ELEMENTS. PAINT. PROVIDE NEW ROOF MEMBRANE LINER AND SLOPE TO DRAIN TO NEW OR EXISTING DOWNSPOUT LOCATION.
- HISTORIC WOOD BRICK MOULD TO REMAIN - REMOVE EXIST. INFILL. PROVIDE NEW ALUMINUM CLAD WOOD DOORS AND TRANSOM WINDOW.
- HISTORIC WOOD TRANSOM, BRICK MOULD, AND INTERIOR WOOD TRIM TO REMAIN - REPAIR AND PAINT. INSTALL NEW ALUMINUM CLAD WOOD DOOR.
- EXISTING BRICK PARAPET WALL WITH TERRA COTTA COPING TO REMAIN. REFER TO GENERAL NOTES FOR MASONRY CLEANING AND RESTORATION. SEE ROOF NEW WORK PLANS FOR COPING REPAIRS.
- CUT NEW OR ENLARGED OPENING IN EXISTING ROOF OR ATTIC STRUCTURE FOR NEW ROOF HATCH. SEE NEW WORK PLANS AND STRUCTURAL DWGS.
- CONTRACTOR TO SALVAGE EXIST. BATH TUB FOR REUSE IF IN GOOD CONDITION. REMOVE EXIST. TUB SURROUND. REFER TO NEW WORK AND PLUMBING PLANS. ENSURE TUB AT FIRE-RATED WALL DOES NOT INTERRUPT RATING.
- REMOVE NON-HISTORIC DOOR, FRAME, LINTEL, AND SILL. PREPARE OPENING FOR MASONRY INFILL PER NEW WORK PLANS.
- LINE INDICATES SLOPED UNDERSIDE OF EXISTING HISTORIC STAIR ABOVE. REMOVE FINISHES AND PREP FOR NEW GYP. BOARD AND FIRE RATING WHERE NOTED ON NEW WORK PLANS.
- REMOVE HISTORIC WOOD BEADBOARD AT CEILING.
- REMOVE FLOOR HATCH. PREP FLOOR OPENING FOR INFILL. REFER TO NEW WORK PLANS AND STRUCTURAL DWGS.
- LOCATION OF INTERNAL ROOF DRAIN LEADER. CONTRACTOR TO VERIFY CONDITION OF LEADER AND STORM CONNECTION. SCOPE EXISTING BELOW-GRADE STORM LINES. REFER TO NEW WORK PLANS AND PLUMBING DWGS.
- EXISTING STEEL/WOOD JOIST END REINFORCEMENT BEAMS AND POSTS. SEE STRUCTURAL DRAWINGS.
- EXISTING POST TO REMAIN. SEE STRUCTURAL DRAWINGS.
- EXISTING CAST IRON CUBB TO REMAIN OR BE REPLACED IF DETEIORATED BEYOND REPAIR. SEE EXTERIOR ELEVATIONS AND STRUCTURAL DWGS.
- RAISE EXISTING HEADER AT EXISTING OPENING. REFER TO NEW WORK PLANS.
- REMOVE EXISTING SLAB ON DECK. REFER TO STRUCTURAL DWGS.
- REMOVE PORTION OF SLAB AND EXCAVATE AS REQUIRED FOR NEW FOOTINGS. SHOWN FOR REFERENCE. SEE STRUCTURAL DRAWINGS AND NEW WORK PLAN.



THIRD FLOOR DEMOLITION PLAN
A2.3 1/4" = 1'-0"



RUSS ALLEY
1623 - 1625 VINE STREET, 1624 REPUBLIC STREET
(1625 VINE HPTC APPLICATION)
CINCINNATI, OH 45202

3CDC CINCINNATI CENTER CITY DEVELOPMENT CORPORATION
ISSUE LOG:
06.02.2023 ISSUE FOR PERMIT
07.14.2023 PERMIT REVISION 1
09.21.2023 OHFA PRELIM. SUBMISSION

THIRD FLOOR DEMOLITION PLAN
A2.3
PRELIMINARY:
NOT FOR CONSTRUCTION

CITYSTUDIOS ARCHITECTURE
1148 Main Street
Cincinnati, OH 45202
ph. 513.621.0750
citystudiosarch.com

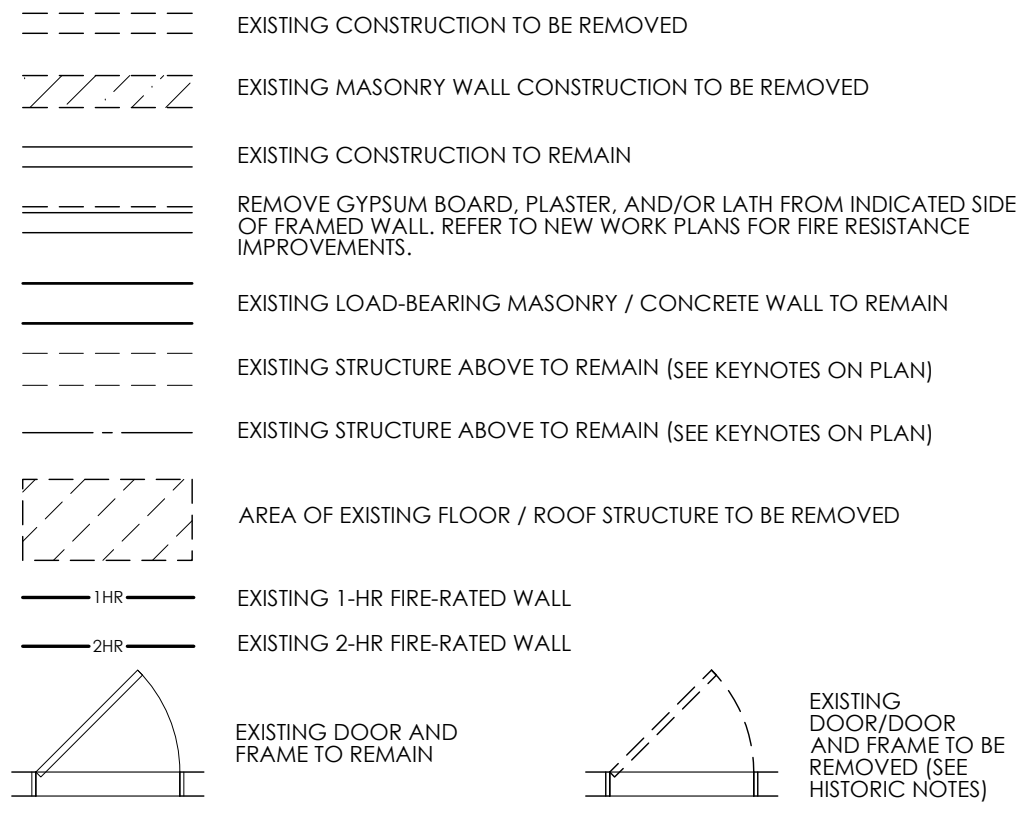
advantage STRUCTURAL ENGINEERS
1527 Madison Road
Cincinnati, OH 45206
513.396.8900
www.advantage66.com

VIOX & VIOX CIVIL ENGINEERS, SURVEYORS AND LANDSCAPE ARCHITECTS
14500 Winton Road
Cincinnati, OH 45244
www.vioxandviox.com

PE Services
14500 Winton Road
Cincinnati, OH 45244
www.pestudios.com
9 North Broadway
Lebanon, OH 45046
513.856.5910

NOT FOR CONSTRUCTION

DEMOLITION PLAN GRAPHIC KEY



DEMOLITION PLAN GENERAL NOTES

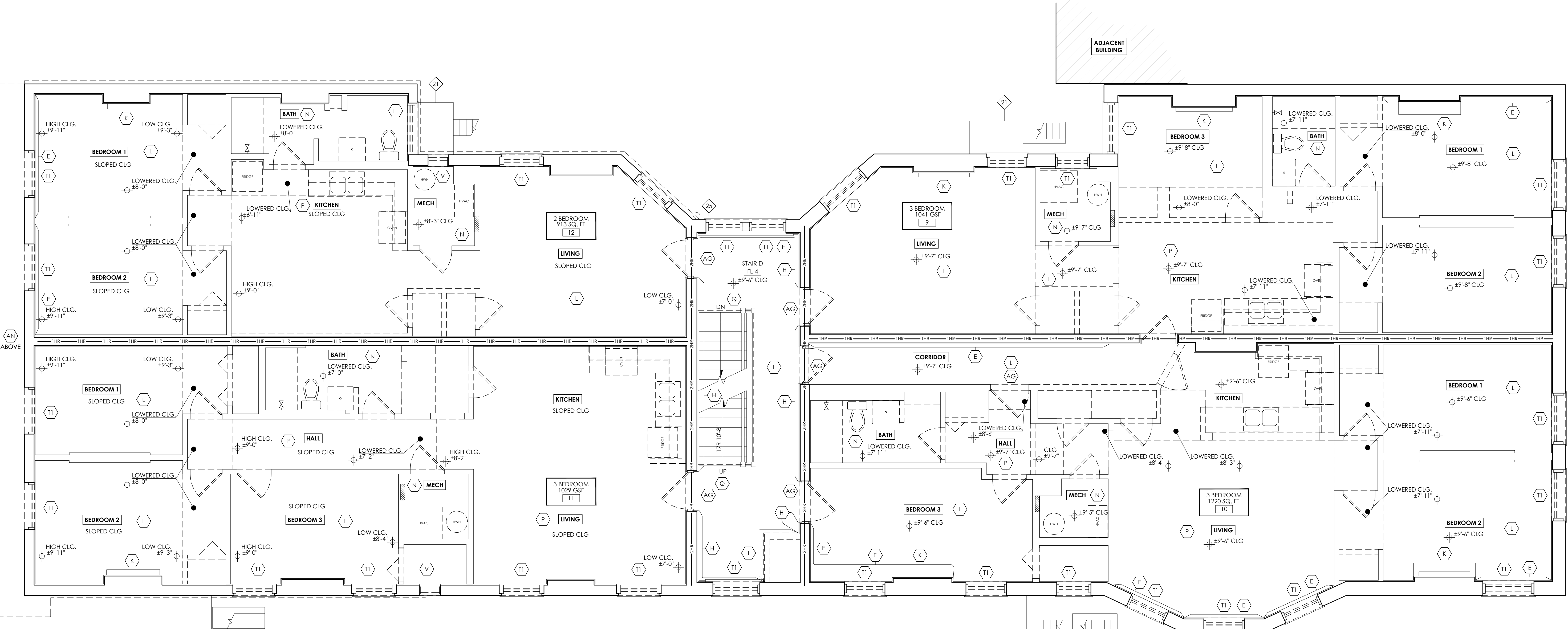
- ALL DASHED ELEMENTS TO BE REMOVED. U.N.O. CONSULT ARCH. IF INTENT IS UNCLEAR.
- ALL LOAD-BEARING WALLS, COLUMNS, BEAMS, AND STRUCTURAL ELEMENTS TO REMAIN. U.N.O. WHERE EXISTING STRUCTURE IS NOTED TO BE REMOVED, SHORE AND BRACE EXISTING BUILDING AS REQUIRED.
- WHERE EXISTING STUD-FRAMED WALLS ARE INDICATED TO REMAIN, REMOVE GYP. BOARD AND OTHER NON-HISTORIC WALL FINISHES, FASTENERS, INSULATION, ETC. DOWN TO STUDS. REMOVE BASEBOARD. PREP FOR NEW WORK.
- COORDINATE ANY NEW MASONRY OPENINGS WITH NEW WORK PLANS. TOOTH OUT BRICK AT JAMBS AND SALVAGE SUFFICIENT BRICK FOR KEYING IN AT JAMBS. REFER TO STRUCTURAL DWGS.
- REFER TO DEMOLITION ELEVATION GENERAL NOTES ON THE A5.0 SHEET SERIES OF EXTERIOR ELEVATIONS FOR TREATMENT OF HISTORIC MASONRY.
- HISTORIC STONE LINTELS AND SILLS ARE TO REMAIN. REMOVE ALL CRACKED LINTELS IN PREPARATION FOR NEW CAST STONE LINTEL TO MATCH EXISTING. REFER TO DEMOLITION AND NEW WORK ELEVATIONS AND STRUCTURAL DRAWINGS. CONTRACTOR IS TO INSPECT ALL INTERIOR WOOD LINTELS AND NOTIFY ARCHITECT/STRUCTURAL ENGINEER OF DETEIORATION.
- CONTRACTOR SHALL EVALUATE CONDITION OF ALL EXISTING PLASTER SURFACES AND REMOVE ALL LOOSE PLASTER FROM ALL SURFACES NOT OTHERWISE SCHEDULED FOR DEMOLITION. STABLE PLASTER IS TO REMAIN UNLESS NOTED OTHERWISE. EXERCISE CARE SO AS NOT TO DAMAGE STABLE PLASTER ADJACENT TO LOOSE PLASTER AND SO NOT TO DAMAGE SUBSTRATE OR STRUCTURE BEYOND.
- REMOVE ALL TEMPORARY BARRICADES FROM DOORS, WINDOWS, STOREFRONTS.
- REMOVE ALL VIV AND ANY SIMILAR PLANT GROWTH FROM EXISTING BRICK AND STONE.
- ALL CHIMNEYS & ASSOCIATED ELEMENTS ARE TO REMAIN. U.N.O. VERIFY STRUCTURAL INTEGRITY IN FIELD - SEE NOTES ON STRUCTURAL DWGS.
- REMOVE ALL EXISTING NON-HISTORIC VINYL, CARPET AND TILE FLOORING INCLUDING ANY ADHESIVES, FASTENERS, OR UNDERLAYMENTS DOWN TO ORIGINAL WOOD FINISH FLOOR OR SUBFLOOR. U.N.O.
- REMOVE ALL EXISTING GYPSUM BOARD, PLASTER AND LATH, AND/OR SUSPENDED CEILING TO EXPOSE FLOOR JOISTS / ROOF BATTENS AND PERMIT INSTALLATION OF CONCEALED MECHANICAL, ELECTRICAL, AND PLUMBING SYSTEMS. U.N.O. CONTACT ARCHITECT AND STRUCTURAL ENGINEER TO ALLOW FOR INSPECTION OF EXISTING FRAMING. EXISTING PLASTER UNDERSIDE OF STAIR CAN REMAIN IF IN GOOD / STABLE CONDITION.
- REMOVE ALL EXISTING CABINETS, COUNTERTOPS, AND KITCHEN APPLIANCES.
- REMOVE ALL EXISTING BATHROOM AND KITCHEN FIXTURES. U.N.O.
- COORDINATE WITH MECHANICAL, ELECTRICAL, AND PLUMBING DRAWINGS AND REMOVE ALL EXISTING EQUIPMENT, FIXTURES, DUCTS, PIPES, WIRES, ETC. EXCEPT THOSE TO THE NEW BUILDING SYSTEMS. CAP AND TERMINATE AS REQ'D BY CABLE CODES AND UTILITY PROVIDERS.
- NEW OPENINGS FOR M.E.P. SYSTEMS ARE NOT SHOWN. TRENCHING OF CONCRETE FLOOR SLAB AND DEMO WORK FOR PLUMBING AND UTILITIES IS NOT SHOWN. CONTRACTOR TO COORDINATE THIS WORK WITH M.E.P. DRAWINGS.
- REMOVE ALL LAYERS OF EXISTING ROOFING (AND INSULATION WHERE OCCURS) DOWN TO EXISTING ROOF SHEATHING. REMOVE ALL DAMAGED AND DETEIORATED ROOF SHEATHING IN PREPARATION FOR NEW ROOF SHEATHING. REMOVE ALL ROOF FASTENERS, FLASHING, TERMINATION BARS, ETC. TO PREPARE FOR NEW ROOF. SEQUENCE THIS WORK WITH NEW ROOF INSTALLATION SO AS TO PROTECT BUILDING FROM THE ELEMENTS AT ALL TIMES.

HISTORIC KEYNOTES

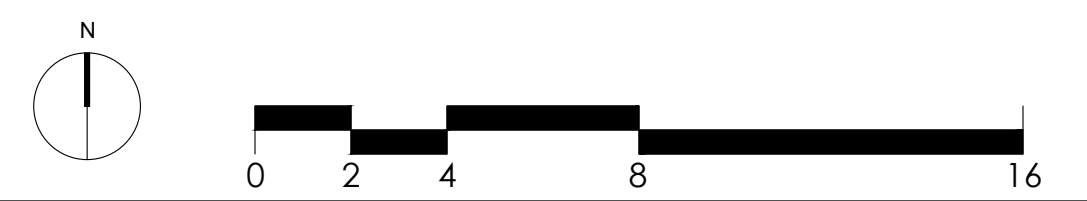
- REFER TO DOOR AND WINDOW TAGS ON NEW WORK PLANS AND TO DOOR AND WINDOW SCHEDULES ON SHEETS A0.4 AND A0.5 FOR DETAILED SCOPE OF WORK AT HISTORIC DOOR AND WINDOW OPENINGS.
- IF NOTE OCCURS AT CENTER OF ROOM, NOTE APPLIES TO ALL WALLS, U.N.O.
- BRICK TO REMAIN EMPLOYED WHERE NO PLASTER IS PRESENT. PROVIDE MASONRY CONSOLIDATOR, PRIME AND PAINT WHERE PREVIOUSLY PAINTED.
- REMOVE AND SALVAGE HISTORIC METAL STAFFED CEILING PANELS AND CROWN MOULDING FOR REINSTALLATION OVER FIRE-RATED CEILING. SEE NEW WORK PLANS FOR LOCATION OF REINSTALLED CEILING.
- NOT USED
- NOT USED
- EXISTING HISTORIC WOOD BASEBOARD TO REMAIN IN PLACE. REPAIR TO MATCH EXISTING WHERE DAMAGED OR DETEIORATED AND PAINT.
- REMOVE AND SALVAGE EXISTING HISTORIC WOOD BASEBOARD FOR REINSTALLATION WHERE WALL IS TO BE FURRED OUT FOR THERMAL INSULATION OR WHERE PLASTER IS TO BE REMOVED TO IMPROVE FIRE RESISTANCE RATING. (SEE WALL TYPES AND NEW WORK PLANS FOR ADDITIONAL INFORMATION). REINSTALL SALVAGED HISTORIC BASEBOARD OVER NEW GYPSUM BOARD. REPAIR, PRIME AND PAINT.
- REMOVE EXISTING HISTORIC BASEBOARD REMNANTS.
- HISTORIC WOOD BEADBOARD WAINSCOT AND CHAIR RAIL TO REMAIN - REPAIR AND PAINT, WHERE DETEIORATED OR MISSING PROVIDE NEW TO MATCH - PAINT.
- REMOVE EXISTING HISTORIC WOOD BEADBOARD WAINSCOT AND CHAIR RAIL SALVAGE FOR RELOCATION. INSTALL AT STAIRWALL WALLS NOW EXPOSED BY SHAFT WALL DEMOLITION - SEE NEW WORK PLANS, REPAIR, PRIME, PAINT.
- REMOVE EXISTING HISTORIC CROWN MOULDING REMNANTS.
- EXISTING HISTORIC MANTEL AND HEARTH (WHERE OCCURS) TO REMAIN IN PLACE. CLEAN AND REPAIR AS REQ'D. PROVIDE NEW PAINT AT MANTEL WHERE PREVIOUSLY PAINTED. PROVIDE NEW STAIR AT MANTEL WHERE PREVIOUSLY STAINED.
- HISTORIC WOOD FLOORING TO REMAIN. PATCH ALL DAMAGED, DETEIORATED, OR MISSING BOARDS. REFINISH. SEE FINISH SCHEDULE ON A0.2 FOR ADDITIONAL INFO.
- EXISTING HISTORIC MOSAIC TILE FLOORS TO REMAIN IN PLACE. REPAIR AS REQ'D. SEE FINISH SCHEDULE ON A0.2.
- EXISTING WOOD FLOORING TO BE CONCEALED BY NEW FINISH FLOORING AS INDICATED ON FINISH SCHEDULE. SEE A0.2 FOR ADDITIONAL INFO.
- REMOVE EXISTING HISTORIC METAL FLOOR GRATE AND SALVAGE FOR REINSTALLATION AT EXISTING LOCATION ABOVE NEW FLOOR INFILL. GRATE SHALL BE FLUSH WITH NEW FLOORING.
- CONTEMPORARY VINYL FLOORING AND LATH SUBSTRATE TO BE CAREFULLY REMOVED TO EXPOSE EXISTING HISTORIC WOOD FLOORING. PATCH ALL DAMAGED, DETEIORATED, OR MISSING BOARDS. REFINISH. SEE FINISH SCHEDULE ON A0.2 FOR ADDITIONAL INFO.
- EXISTING HISTORIC STAIR, NEWEL POSTS, NEWEL POST CAPS, BALUSTRADES, AND HANDRAILS (WHERE OCCURS) TO REMAIN. REPAIR OR REPLACE DAMAGED / DETEIORATED / MISSING STAIR COMPONENTS TO MATCH EXIST. PAINT.
- EXISTING HISTORIC SKYLIGHT TO REMAIN. REPAIR AND REGLAZE AS REQUIRED. SEE STRUCTURAL DWGS. HISTORIC WOOD BEADBOARD SURROUND TO REMAIN. REPAIR AS REQ'D - PAINT.
- HISTORIC WOOD BEADBOARD SURROUND AT ABANDONED, INFILLED, SKYLIGHT TO REMAIN. REMOVE, SALVAGE, AND REINSTALL OR REPLACE HISTORIC BEADBOARD SURROUND AS REQ'D TO FIRE-RATE SURROUNDING BEAMS. PAINT.
- *COMBINE LETTERS IN "WINDOW CATEGORY WITH NUMBERS OF "WINDOW TRIM" CATEGORY**
- REMOVE NON-HISTORIC WINDOW, HISTORIC WOOD WEIGHT BOX AND BRICK MOULD TO REMAIN. INSTALL NEW WINDOW WITHIN WEIGHT BOX. REPLACE DETEIORATED HISTORIC WOOD BRICK MOULD TO MATCH HISTORIC PROFILE IF REQUIRED. PAINT.
- PROVIDE NEW CUSTOM WOOD WINDOW AND BRICKMOULD TO MATCH EXISTING ADJACENT HISTORIC WINDOW. HISTORIC WINDOW TRIM TO MATCH HISTORIC INSTALLATION - PAINT.
- REMOVE NON-HISTORIC WINDOW OR HILL (WHERE OCCURS) BACK TO HISTORIC ROUGH MASONRY OPENING, INCLUDING BLOCKING, WEIGHT BOXES, AND BRICK MOULD (WHERE PRESENT). INFILL PER NEW WORK PLANS. EXISTING EXTERIOR HEADER AND SILL TO REMAIN. REFER TO NEW WORK PLANS.
- EXISTING HISTORIC WOOD WINDOW AND ALL ASSOCIATED WINDOW COMPONENTS TO REMAIN. REPAIR TO AN OPERABLE CONDITION - PAINT. INSTALL NEW EXTERIOR STORM WINDOW (WHERE APPLICABLE).

DEMOLITION PLAN KEYNOTES

- EXISTING CONCRETE SLAB TO REMAIN.
- REMOVE EXISTING CONCRETE SIDEWALK PER DOTE STANDARDS. SEE CIVIL DRAWINGS.
- REMOVE EXISTING CONCRETE SIDEWALK. SEE CIVIL DRAWINGS.
- EXISTING CAST IRON OR STEEL COLUMN TO REMAIN.
- LINE OF EXISTING STRUCTURE ABOVE TO REMAIN (BEAM, HEADER, ROOF OVERHANG, ETC.). IF BEAM IS CONCEALED - REMOVE PLASTER OR DRYWALL ENCLOSURE AT BEAM.
- LINE OF EXISTING BRICK/STONE ARCHES ABOVE TO REMAIN.
- REMOVE EXISTING SLAB ON GRADE. PREP FOR NEW SLAB AND WATERPROOFING.
- LOCATION OF EXISTING BASEMENT WINDOW WELL.
- EXISTING WOOD FRAMED STAIRS TO REMAIN. MODIFY BOTTOM RISER(S) AS REQ'D IF LOCATED AT NEW BASEMENT SLAB.
- EXISTING HISTORIC SLIDING METAL DOOR AND TRACK. REMOVE AND REINSTALL IN FIXED OPEN POSITION. NEW FIRE RATED DOOR AND FRAME TO BE INSTALLED.
- LOCATION OF EXISTING ELECTRIC EQUIPMENT. SEE MEP DRAWINGS.
- LOCATION OF EXISTING GAS SERVICE. SEE MEP DRAWINGS.
- LOCATION OF EXISTING WATER OR FIRE SERVICE. SEE MEP & FP DRAWINGS.
- EXISTING SPACE UNDER SIDEWALK OR W.
- REMOVE EXISTING INFILL & FOUNDATION WALL OPENING. CONTACT ARCHITECT WHEN AREA IS ACCESSIBLE FOR INVESTIGATION.
- REMOVE EXISTING STRUCTURE. PROVIDE TEMPORARY SHORING. SEE STRUCTURAL DRAWINGS.
- REMOVE STONE SILL AS REQUIRED FOR CONSTRUCTION OF NEW HANDICAP ACCESSIBLE ENTRANCE. SEE NEW WORK PLANS AND STRUCTURAL DRAWINGS.
- REMOVE AREA OF CONCRETE SLAB OR WOOD FLOOR FRAMING AS REQUIRED FOR CONSTRUCTION OF NEW HANDICAP ACCESSIBLE ENTRANCE. SEE NEW WORK PLANS AND STRUCTURAL DRAWINGS.
- REMOVE AREA OF FLOOR FRAMING AS REQUIRED FOR NEW WORK. SEE NEW WORK PLANS AND STRUCTURAL DRAWINGS. PROVIDE TEMPORARY BRACING OR SHORING AS REQUIRED.
- NEW MASONRY OPENING. SEE NEW WORK PLANS AND STRUCTURAL DRAWINGS. PROVIDE TEMPORARY BRACING OR SHORING AS REQUIRED.
- LINE OF EXISTING BAY WINDOW ABOVE. REMOVE UNDERSIDE OF BAY ENOUGH FOR ARCHITECT AND STRUCTURAL ENGINEER TO INSPECT FLOOR STRUCTURE.
- EXISTING FIRE ESCAPE TO REMAIN. GENERAL CONTRACTOR SHALL BE RESPONSIBLE FOR FIRE ESCAPE EXAMINATION INSPECTION AND REPAIRS PER CITY OF CINCINNATI. CLEAN AND PAINT.
- REMOVE PORTION OF EXISTING FIRE ESCAPE AT 4TH FLOOR THAT CONNECTS TO THE ADJACENT BUILDING'S EXISTING FIRE ESCAPE. GENERAL CONTRACTOR SHALL BE RESPONSIBLE FOR FIRE ESCAPE EXAMINATION, INSPECTION, AND REPAIRS PER CITY OF CINCINNATI. CLEAN AND PAINT.
- MODIFY EXIST. FIRE ESCAPE LADDER AS REQUIRED TO ACCOMMODATE NEW SLAB HEIGHT. GENERAL CONTRACTOR SHALL BE RESPONSIBLE FOR FIRE ESCAPE EXAMINATION INSPECTION AND REPAIRS PER CITY OF CINCINNATI. CLEAN AND PAINT.
- EXISTING STONE AND METAL ROOF CORNICE/BANDING, BRACKETS, AND MOULDING TO REMAIN. REPAIR DETEIORATED ELEMENTS TO MATCH EXISTING. PAINT IF PREVIOUSLY PAINTED.
- EXISTING HISTORIC WOOD TRANSOM BAR AND WOOD BRICK MOULD TO REMAIN - REPAIR AND PAINT. EXISTING NON-HISTORIC ENTRY DOOR AND WOOD FRAMED TRANSOM INFILL TO BE REMOVED. PROVIDE NEW ALUMINUM CLAD WOOD DOOR, SIDE PANEL, AND TRANSOM WINDOW.
- HISTORIC WOOD SHUTTERS TO BE REMOVED AND SALVAGED FOR REINSTALLATION IN THE FIXED POSITION. REPAIR AND PAINT. REMOVE EXISTING INTERIOR FRAMING AT OPENING AND PREP FOR NEW INFILL PER NEW WORK PLANS. INTERIOR TRIM TO BE REMOVED AND SALVAGED FOR REINSTALLATION. REPAIR AND PAINT.
- HISTORIC BOX GUTTER TO REMAIN. REPAIR ALL DETEIORATED ELEMENTS. PAINT. PROVIDE NEW ROOF MEMBRANE LINER AND SLOPE TO DRAIN TO NEW OR EXISTING DOWNSPOUT LOCATION.
- HISTORIC WOOD BRICK MOULD TO REMAIN - REMOVE EXIST. INFILL. PROVIDE NEW ALUMINUM CLAD WOOD DOORS AND TRANSOM WINDOW.
- HISTORIC WOOD TRANSOM, BRICK MOULD, AND INTERIOR WOOD TRIM TO REMAIN - REPAIR AND PAINT. INSTALL NEW ALUMINUM CLAD WOOD DOOR.
- REMOVE EXISTING DOWNSPOUT.
- REMOVE EXISTING HUNG GUTTER AND ALL ANCHORS.
- REMOVE EXISTING CONCRETE STEPS.
- REMOVE EXISTING GLASS BLOCK AND INFILL IN HISTORIC MASONRY OPENING. EXERCISE CAUTION SO AS NOT TO DAMAGE ADJACENT HISTORIC MASONRY.
- REMOVE EXISTING WALL FURRING. EXERCISE CAUTION SO AS NOT TO DAMAGE HISTORIC PLASTER AND TRIM BEHIND FURRING. EXISTING PLASTER, BASEBOARD AND WINDOW TRIM BEHIND FURRING TO REMAIN. CONTACT ARCHITECT WHEN FURRING HAS BEEN REMOVED FOR INSPECTION.
- EXISTING INTERCOM BOX TO BE REMOVED.
- EXISTING CONDENSING UNIT, METAL SURROUND AND ASSOCIATED ANCHORS AND ATTACHMENTS (WHERE OCCURS) TO BE REMOVED.
- EXISTING WOOD FRAMED STORAGE COMPARTMENT TO REMOVED.
- EXISTING STEEL FRAME AND GATE TO BE REMOVED.
- EXISTING BOLLARD TO BE REMOVED IN ITS ENTIRETY.
- EXISTING CONCRETE RAMP AT ADJACENT BUILDING TO REMAIN. PROTECT DURING ALL PHASES OF CONSTRUCTION. GENERAL CONTRACTOR SHALL COORDINATE WORK IN SHARED PASSAGEWAY WITH ADJACENT PROPERTY OWNER.
- EXISTING GATE AND FENCE TO BE REMOVED. CONTRACTOR CAN SALVAGE FOR REUSE IF ECONOMICALLY FEASIBLE. REFER TO NEW WORK PLANS.
- EXISTING FLOOR DRAIN TO REMAIN. CONTRACTOR TO VERIFY IF DRAIN IS IN WORKING CONDITION. SEE PLUMBING DRAWINGS.
- EXISTING SURFACE-MOUNTED MAILBOXES TO BE REMOVED. EXERCISE CAUTION SO NOT TO DAMAGE HISTORIC BEADBOARD OR PLASTER. REFER TO NEW WORK PLANS.
- EXISTING 1-STORY ADDITION TO BE DEMOLISHED. REMOVE EXISTING SLAB ON GRADE (ASSUMED - VIP). SEE NEW WORK PLAN AND STRUCTURAL DRAWINGS.
- NEW DOOR OPENING AT LOCATION OF EXISTING WINDOW OPENING. REMOVE EXISTING MASONRY INFILL. REMOVE SILL AND PORTIONS OF MASONRY WALL BELOW SILL AS REQUIRED TO INSTALL NEW DOOR, FRAME, AND TRANSOM. MASONRY OPENING WILL NEED ENLARGED AS SHOWN - PROVIDE TEMPORARY BRACING OR SHORING AS REQ'D. SEE STRUCTURAL DWGS FOR LINTEL. COORDINATE WITH NEW WORK PLANS FOR REQ'D DIMENSIONS.
- LOCATION OF EXISTING ROOF HATCH. REFER TO NEW WORK PLANS.
- EXISTING METAL OR STONE CHIMNEY CAPS. REPLACE IF CAP IF DETEIORATED OR MISSING.
- REMOVE AND REPLACE DETEIORATED WOOD RAKE BOARDS. REFER TO NEW WORK PLANS AND ELEVATIONS.
- EXISTING BRICK SITE PARTY WALL TO REMAIN. REMOVE DAMAGED METAL COPING. REFER TO NEW WORK PLANS.
- EXISTING BATT INSULATION AT ATTIC FLOOR AND CEILING TO BE REMOVED.
- REMOVE EXISTING STOOP CONSTRUCTION AS REQUIRED TO ACCOMMODATE NEW WORK.
- ARCHITECT WAS NOT ABLE TO ACCESS THIS AREA. CONTACT ARCHITECT WHEN ACCESSIBLE.
- EXISTING BRICK PARAPET WALL WITH TERRA COTTA COPING TO REMAIN. REFER TO GENERAL NOTES FOR MASONRY CLEANING AND RESTORATION. SEE ROOF NEW WORK PLANS FOR COPING REPAIRS.
- CUT NEW OR ENLARGED OPENING IN EXISTING ROOF OR ATTIC STRUCTURE FOR NEW ROOF HATCH. SEE NEW WORK PLANS AND STRUCTURAL DWGS.
- CONTRACTOR TO SALVAGE EXIST. BATH TUB FOR REUSE IF IN GOOD CONDITION. REMOVE EXIST. TUB SURROUND. REFER TO NEW WORK AND PLUMBING PLANS. ENSURE TUB AT FIRE-RATED WALL DOES NOT INTERRUPT RATING.
- REMOVE NON-HISTORIC DOOR, FRAME, LINTEL, AND SILL. PREPARE OPENING FOR MASONRY INFILL PER NEW WORK PLANS.
- LINE INDICATES SLOPED UNDERSIDE OF EXISTING HISTORIC STAIR ABOVE. REMOVE FINISHES AND PREP FOR NEW GYP. BOARD AND FIRE RATING WHERE NOTED ON NEW WORK PLANS.
- REMOVE HISTORIC WOOD BEADBOARD AT CEILING.
- REMOVE FLOOR HATCH. PREP FLOOR OPENING FOR INFILL. REFER TO NEW WORK PLANS AND STRUCTURAL DWGS.
- LOCATION OF INTERNAL ROOF DRAIN LEADER. CONTRACTOR TO VERIFY CONDITION OF LEADER AND STORM CONNECTION. SCOPE EXISTING ROOF-GRADE STORM LINES. REFER TO NEW WORK PLANS AND PLUMBING DWGS.
- EXISTING STEEL/WOOD JOIST END REINFORCEMENT BEAMS AND POSTS. SEE STRUCTURAL DRAWINGS.
- EXISTING POST TO REMAIN. SEE STRUCTURAL DRAWINGS.
- EXISTING CAST IRON CURBS TO REMAIN OR BE REPLACED IF DETEIORATED BEYOND REPAIR. SEE EXTERIOR ELEVATIONS AND STRUCTURAL DWGS.
- RAISE EXISTING HEADER AT EXISTING OPENING. REFER TO NEW WORK PLANS.
- REMOVE EXISTING SLAB ON DECK. REFER TO STRUCTURAL DWGS.
- REMOVE PORTION OF SLAB AND EXCAVATE AS REQUIRED FOR NEW FOOTINGS. SHOWN FOR REFERENCE. SEE STRUCTURAL DRAWINGS AND NEW WORK PLAN.



FOURTH FLOOR DEMOLITION PLAN
1/4" = 1'-0"



NOT FOR CONSTRUCTION

CITYSTUDIOS
ARCHITECTURE
1148 Main Street
Cincinnati, OH 45202
ph. 513.621.0750
citystudiosarch.com

advantage
STRUCTURAL ENGINEERS
1027 Madison Road
Cincinnati, OH 45206
513.396.8900
www.advantage6E.com

VIOX & VIOX
Civil Engineers, Surveyors, and Landmark Architects
4400 Riverchase Lane, Suite 100
Cincinnati, OH 45241
www.vioxandviox.com

PE Services
INCORPORATED
10000 W. Chester Road
Cincinnati, OH 45241
9 North Broadway
Lebanon, OH 45046
513-836-3510

RUSS ALLEY
1623 - 1625 VINE STREET, 1624 REPUBLIC STREET
(1625 VINE HPTC APPLICATION)
CINCINNATI, OH 45202

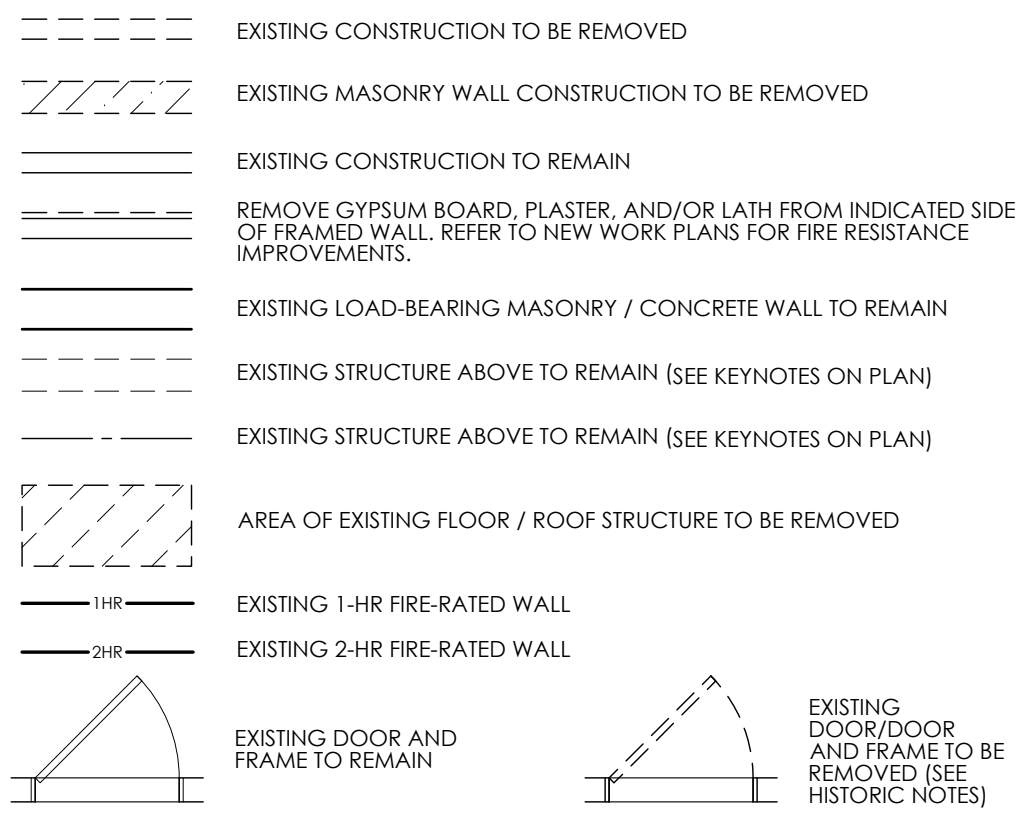
3CDC CINCINNATI CENTER CITY DEVELOPMENT CORPORATION

ISSUE LOG:
04.02.2023
ISSUE FOR PERMIT
07.14.2023
PERMIT REVISION 1
09.21.2023
OHFA PRELIM. SUBMISSION

FOURTH FLOOR
DEMOLITION PLAN

A2.4
PRELIMINARY:
NOT FOR CONSTRUCTION

DEMOLITION PLAN GRAPHIC KEY



DEMOLITION PLAN GENERAL NOTES

- ALL DASHED ELEMENTS TO BE REMOVED. U.N.O. CONSULT ARCH. IF INTENT IS UNCLEAR.
- ALL LOAD-BEARING WALLS, COLUMNS, BEAMS, AND STRUCTURAL ELEMENTS TO REMAIN. U.N.O. WHERE EXISTING STRUCTURE IS NOTED TO BE REMOVED, SHORE AND BRACE EXISTING BUILDING AS REQUIRED.
- WHERE EXISTING STUD-FRAMED WALLS ARE INDICATED TO REMAIN, REMOVE GYP. BOARD AND OTHER NON-HISTORIC WALL FINISHES, FASTENERS, INSULATION, ETC. DOWN TO STUDS. REMOVE BASEBOARD. PREP FOR NEW WORK.
- COORDINATE ANY NEW MASONRY OPENINGS WITH NEW WORK PLANS. TOOTH OUT BRICK AT JAMBS AND SALVAGE SUFFICIENT BRICK FOR KEYING IN AT JAMBS. REFER TO STRUCTURAL DWGS.
- REFER TO 'DEMOLITION ELEVATION GENERAL NOTES' ON THE A5.0 SHEET SERIES OF EXTERIOR ELEVATIONS FOR TREATMENT OF HISTORIC MASONRY.
- HISTORIC STONE LINTELS AND SILLS ARE TO REMAIN. REMOVE ALL CRACKED LINTELS IN PREPARATION FOR NEW CAST STONE LINTEL TO MATCH EXISTING. REFER TO DEMOLITION AND NEW WORK ELEVATIONS AND STRUCTURAL DRAWINGS. CONTRACTOR IS TO INSPECT ALL INTERIOR WOOD LINTELS AND NOTIFY ARCHITECT/STRUCTURAL ENGINEER OF DETEIORATION.
- CONTRACTOR SHALL EVALUATE CONDITION OF ALL EXISTING PLASTER SURFACES AND REMOVE ALL LOOSE PLASTER FROM ALL SURFACES NOT OTHERWISE SCHEDULED FOR DEMOLITION. STABLE PLASTER IS TO REMAIN UNLESS NOTED OTHERWISE. EXERCISE CARE SO AS NOT TO DAMAGE STABLE PLASTER ADJACENT TO LOOSE PLASTER AND SO NOT TO DAMAGE SUBSTRATE OR STRUCTURE BEYOND.
- REMOVE ALL TEMPORARY BARRICADES FROM DOORS, WINDOWS, STOREFRONTS.
- REMOVE ALL VIVY AND ANY SIMILAR PLANT GROWTH FROM EXISTING BRICK AND STONE.
- ALL CHIMNEYS & ASSOCIATED ELEMENTS ARE TO REMAIN. U.N.O. VERIFY STRUCTURAL INTEGRITY IN FIELD - SEE NOTES ON STRUCTURAL DWGS.
- REMOVE ALL EXISTING NON-HISTORIC VINYL, CARPET AND TILE FLOORING INCLUDING ANY ADHESIVES, FASTENERS, OR UNDERLAYMENTS DOWN TO ORIGINAL WOOD FINISH FLOOR OR SUBFLOOR. U.N.O.
- REMOVE ALL GYPSUM BOARD, PLASTER AND LATH, AND/OR SUSPENDED CEILINGS TO EXPOSE FLOOR JOISTS / ROOF BATTERS AND PRIME INSTALLATION OF CONCEALED MECHANICAL, ELECTRICAL, AND PLUMBING SYSTEMS. U.N.O. CONTACT ARCHITECT AND STRUCTURAL ENGINEER TO ALLOW FOR INSPECTION OF EXISTING FRAMING. EXISTING PLASTER AT UNDERSIDE OF STAIR CAN REMAIN IF IN GOOD / STABLE CONDITION.
- REMOVE ALL EXISTING CABINERY, COUNTERTOPS, AND KITCHEN APPLIANCES.
- REMOVE ALL EXISTING BATHROOM AND KITCHEN FIXTURES. U.N.O.
- COORDINATE WITH MECHANICAL, ELECTRICAL, AND PLUMBING DRAWINGS AND REMOVE ALL EXISTING EQUIPMENT, FIXTURES, DUCTS, PIPES, WIRES, ETC. EXTRANEOUS TO THE NEW BUILDING SYSTEMS. CAP AND TERMINATE AS REQ'D BY APPLICABLE CODES AND UTILITY PROVIDERS.
- NEW OPENINGS FOR M.E.P. SYSTEMS ARE NOT SHOWN. TRENCHING OF CONCRETE FLOOR SLAB AND DEMO WORK FOR PLUMBING AND UTILITIES IS NOT SHOWN. CONTRACTOR TO COORDINATE THIS WORK WITH M.E.P. DRAWINGS.
- REMOVE ALL LAYERS OF EXISTING ROOFING (AND INSULATION WHERE OCCURS) DOWN TO EXISTING ROOF SHEATHING. REMOVE ALL DAMAGED AND DETEIORATED ROOF SHEATHING IN PREPARATION FOR NEW ROOF SHEATHING. REMOVE ALL ROOF FASTENERS, FLASHING, TERMINATION MARK, ETC. TO PREPARE FOR NEW ROOF. SEQUENCE THIS WORK WITH NEW ROOF INSTALLATION SO AS TO PROTECT BUILDING FROM THE ELEMENTS AT ALL TIMES.

HISTORIC KEYNOTES

- REFER TO DOOR AND WINDOW TAGS ON NEW WORK PLANS AND TO DOOR AND WINDOW SCHEDULES ON SHEETS A0.4 AND A0.5 FOR DETAILED SCOPE OF WORK AT HISTORIC DOOR AND WINDOW OPENINGS.
- IF NOTE OCCURS AT CENTER OF ROOM, NOTE APPLIES TO ALL WALLS. U.N.O.
- BRICK TO REMAIN UNLESS WHERE NO PLASTER IS PRESENT. PROVIDE MASONRY CONSOLIDATOR, PRIME AND PAINT WHERE PREVIOUSLY PAINTED.
- REMOVE AND SALVAGE HISTORIC METAL STAMPED CEILING PANELS AND CROWN MOULDING FOR REINSTALLATION OVER FIRE-RATED CEILING. SEE NEW WORK PLANS FOR LOCATION OF REINSTALLED CEILING.
- NOT USED
- NOT USED
- EXISTING HISTORIC WOOD BASEBOARD TO REMAIN IN PLACE. REPAIR TO MATCH EXISTING WHERE DAMAGED OR DETEIORATED AND PAINT.
- REMOVE AND SALVAGE EXISTING HISTORIC WOOD BASEBOARD FOR REINSTALLATION WHERE WALL IS TO BE FURRED OUT FOR THERMAL INSULATION OR WHERE PLASTER IS TO BE REMOVED TO IMPROVE FIRE RESISTANCE RATING. (SEE WALL TYPES AND NEW WORK PLANS FOR ADDITIONAL INFORMATION). REINSTALL SALVAGED HISTORIC BASEBOARD OVER NEW GYPSUM BOARD. REPAIR, PRIME AND PAINT.
- REMOVE EXISTING HISTORIC BASEBOARD REMNANTS.
- HISTORIC WOOD BEADBOARD WAINSCOT AND CHAIR RAIL TO REMAIN - REPAIR AND PAINT, WHERE DETEIORATED OR MISSING PROVIDE NEW TO MATCH - PAINT.
- REMOVE EXISTING HISTORIC WOOD BEADBOARD WAINSCOT AND CHAIR RAIL SALVAGE FOR RELOCATION. INSTALL AT STAIRWALL WALLS NOW EXPOSED BY SHAFT WALL DEMOLITION - SEE NEW WORK PLANS. REPAIR, PRIME, PAINT.
- REMOVE EXISTING HISTORIC CROWN MOULDING REMNANTS.
- EXISTING HISTORIC MANTEL AND HEARTH (WHERE OCCURS) TO REMAIN IN PLACE. CLEAN AND REPAIR AS REQ'D. PROVIDE NEW PAINT AT MANTEL WHERE PREVIOUSLY PAINTED. PROVIDE NEW STAIN AT MANTEL WHERE PREVIOUSLY STAINED.
- HISTORIC WOOD FLOORING TO REMAIN. PATCH ALL DAMAGED, DETEIORATED, OR MISSING BOARDS. REFINISH. SEE FINISH SCHEDULE ON A0.2 FOR ADDITIONAL INFO.
- EXISTING HISTORIC Mosaic TILE FLOORS TO REMAIN IN PLACE. REPAIR AS REQ'D. SEE FINISH SCHEDULE ON A0.2.
- EXISTING WOOD FLOORING TO BE CONCEALED BY NEW FINISH FLOORING AS INDICATED ON FINISH SCHEDULE. SEE A0.2 FOR ADDITIONAL INFO.
- REMOVE EXISTING HISTORIC METAL FLOOR GRATE AND SALVAGE FOR REINSTALLATION AT EXISTING LOCATION ABOVE NEW FLOOR INFILL. GRATE SHALL BE FLUSH WITH NEW FLOORING.
- CONTEMPORARY VINYL FLOORING AND LIAN SUBSTRATE TO BE CAREFULLY REMOVED TO EXPOSE EXISTING HISTORIC WOOD FLOORING. PATCH ALL DAMAGED, DETEIORATED, OR MISSING BOARDS. REFINISH. SEE FINISH SCHEDULE ON A0.2 FOR ADDITIONAL INFO.
- EXISTING HISTORIC STAIR, NEWEL POSTS, NEWEL POST CAPS, BALUSTRADES, AND HANDRAILS (WHERE OCCURS) TO REMAIN. REPAIR OR REPLACE DAMAGED / DETEIORATED / MISSING STAIR COMPONENTS TO MATCH EXIST. PAINT.
- EXISTING HISTORIC SKYLIGHT TO REMAIN. REPAIR AND REGLAZE AS REQUIRED. SEE STRUCTURAL DWGS. HISTORIC WOOD BEADBOARD SURROUND TO REMAIN. REPAIR AS REQ'D - PAINT.
- HISTORIC WOOD BEADBOARD SURROUND AT ABANDONED, INFILLED, SKYLIGHT TO REMAIN. REMOVE, SALVAGE, AND REINSTALL OR REPLICATE HISTORIC BEADBOARD SURROUND AS REQ'D TO FIRE-RATE SURROUNDING BEAMS. PAINT.

'COMBINE LETTERS IN 'WINDOW' CATEGORY WITH NUMBERS OF 'WINDOW TRIM' CATEGORY

- REMOVE NON-HISTORIC WINDOW, HISTORIC WOOD WEIGHT BOX AND BRICK MOULD TO REMAIN. INSTALL NEW WINDOW WITHIN WEIGHT BOX. REPLACE DETEIORATED HISTORIC WOOD BRICK MOULD TO MATCH HISTORIC PROFILE IF REQUIRED. PAINT.
- PROVIDE NEW CUSTOM WOOD WINDOW AND BRICKMOULD TO MATCH EXISTING ADJACENT HISTORIC WINDOW. INSTALLATION TO MATCH HISTORIC INSTALLATION - PAINT.
- REMOVE NON-HISTORIC WINDOW OR INFILL (WHERE OCCURS) BACK TO HISTORIC ROUGH MASONRY OPENING, INCLUDING BLOCKING, WEIGHT BOXES, AND BRICK MOULD (WHERE PRESENT). INFILL PER NEW WORK PLANS. EXISTING EXTERIOR HEADER AND SILL TO REMAIN. REFER TO NEW WORK PLANS.
- EXISTING HISTORIC WOOD WINDOW AND ALL ASSOCIATED WINDOW COMPONENTS TO REMAIN. REPAIR TO AN OPERABLE CONDITION - PAINT. INSTALL NEW EXTERIOR STORM WINDOW (WHERE APPLICABLE).

DEMOLITION PLAN KEYNOTES

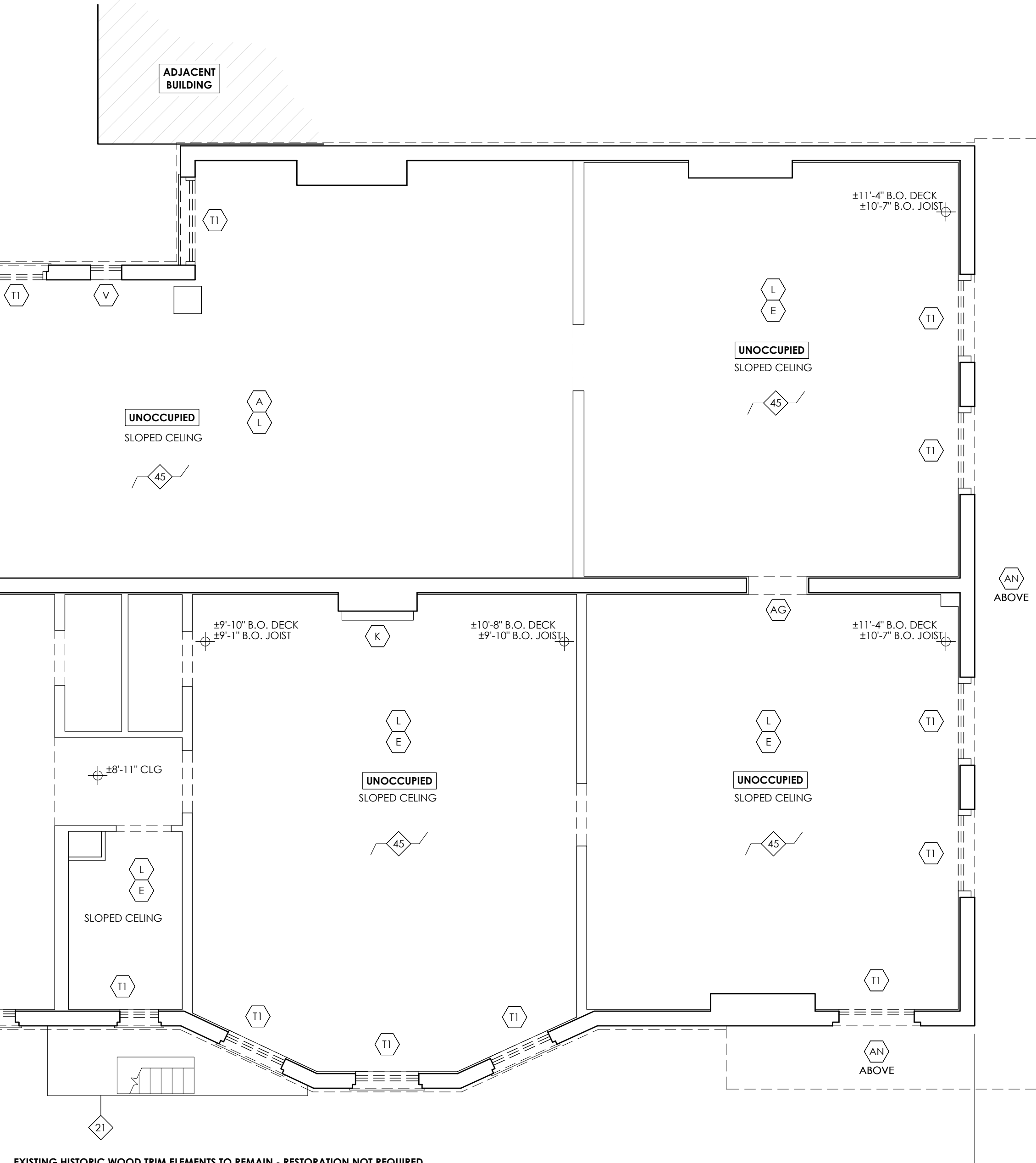
- EXISTING CONCRETE SLAB TO REMAIN.
- REMOVE EXISTING CONCRETE SIDEWALK PER DOT STANDARDS. SEE CIVIL DRAWINGS.
- REMOVE EXISTING CONCRETE WALKWAY. SEE CIVIL DRAWINGS.
- EXISTING CAST IRON OR STEEL COLUMN TO REMAIN.
- LINE OF EXISTING STRUCTURE ABOVE TO REMAIN (BEAM, HEADER, ROOF OVERHANG, ETC.). IF BEAM IS CONCEALED - REMOVE PLASTER OR DRYWALL ENCLOSURE AT BEAM.
- REMOVE EXISTING SLAB ON GRADE. PREP FOR NEW SLAB AND WATERPROOFING.
- LOCATION OF EXISTING BASEMENT WINDOW WELL.
- EXISTING WOOD FRAMED STAIRS TO REMAIN. MODIFY BOTTOM RISER(S) AS REQ'D IF LOCATED AT NEW BASEMENT SLAB.
- REMOVE EXISTING WOOD STAIRS IN ITS ENTIRETY.
- LOCATION OF EXISTING ELECTRIC EQUIPMENT. SEE MEP DRAWINGS.
- LOCATION OF EXISTING GAS SERVICE. SEE MEP DRAWINGS.
- LOCATION OF EXISTING WATER OR FIRE SERVICE. SEE MEP & FP DRAWINGS.
- EXISTING SPACE UNDER SIDEWALK/R.O.W.
- REMOVE EXISTING INFILL & FOUNDATION WALL OPENING. CONTACT ARCHITECT WHEN AREA IS ACCESSIBLE FOR INVESTIGATION.
- REMOVE EXISTING STRUCTURE. PROVIDE TEMPORARY SHORING. SEE STRUCTURAL DRAWINGS.
- REMOVE STONE SILL AS REQUIRED FOR CONSTRUCTION OF NEW HANDICAP ACCESSIBLE ENTRANCE. SEE NEW WORK PLANS AND STRUCTURAL DRAWINGS.
- REMOVE AREA OF CONCRETE SLAB OR WOOD FLOOR FRAMING AS REQUIRED FOR CONSTRUCTION OF NEW HANDICAP ACCESSIBLE ENTRANCE. SEE NEW WORK PLANS AND STRUCTURAL DRAWINGS. PROVIDE TEMPORARY BRACING OR SHORING AS REQUIRED.
- NEW MASONRY OPENING - SEE NEW WORK PLANS AND STRUCTURAL DRAWINGS. PROVIDE TEMPORARY BRACING OR SHORING AS REQUIRED.
- LINE OF EXISTING BAY WINDOW ABOVE. REMOVE UNDERSIDE OF BAY ENOUGH FOR ARCHITECT AND STRUCTURAL ENGINEER TO INSPECT FLOOR STRUCTURE.
- EXISTING FIRE ESCAPE TO REMAIN. GENERAL CONTRACTOR SHALL BE RESPONSIBLE FOR FIRE ESCAPE EXAMINATION INSPECTION AND REPAIRS PER CITY OF CINCINNATI. CLEAN AND PAINT.
- REMOVE PORTION OF EXISTING FIRE ESCAPE AT 4TH FLOOR THAT CONNECTS TO THE ADJACENT BUILDING'S EXISTING FIRE ESCAPE. GENERAL CONTRACTOR SHALL BE RESPONSIBLE FOR FIRE ESCAPE EXAMINATION, INSPECTION, AND REPAIRS PER CITY OF CINCINNATI. CLEAN AND PAINT.
- MODIFY EXIST. FIRE ESCAPE LADDER AS REQUIRED TO ACCOMMODATE NEW SLAB HEIGHT. GENERAL CONTRACTOR SHALL BE RESPONSIBLE FOR FIRE ESCAPE EXAMINATION INSPECTION AND REPAIRS PER CITY OF CINCINNATI. CLEAN AND PAINT.
- EXISTING STONE ENTRY STEP(S) TO REMAIN.

- REMOVE EXISTING DOWNSPOUT.
- REMOVE EXISTING HUNG GUTTER AND ALL ANCHORS.
- REMOVE EXISTING CONCRETE STEPS.
- REMOVE EXISTING GLASS BLOCK AND INFILL IN HISTORIC MASONRY OPENING. EXERCISE CAUTION SO AS NOT TO DAMAGE ADJACENT HISTORIC MASONRY.
- REMOVE EXISTING WALL FURRING. EXERCISE CAUTION SO AS NOT TO DAMAGE HISTORIC PLASTER AND TRIM BEHIND FURRING. EXISTING PLASTER, BASEBOARD AND WINDOW TRIM BEHIND FURRING TO REMAIN. CONTACT ARCHITECT WHEN FURRING HAS BEEN REMOVED FOR INSPECTION.
- EXISTING INTERCOM BOX TO BE REMOVED.
- EXISTING CONDENSING UNIT, METAL SURROUND AND ASSOCIATED ANCHORS AND ATTACHMENTS (WHERE OCCURS) TO BE REMOVED.
- EXISTING WOOD FRAMED STORAGE COMPARTMENT TO REMOVED.
- EXISTING STEEL FRAME AND GATE TO BE REMOVED.
- EXISTING BOLLARD TO BE REMOVED IN ITS ENTIRETY.
- EXISTING CONCRETE RAMP AT ADJACENT BUILDING TO REMAIN. PROTECT DURING ALL PHASES OF CONSTRUCTION. GENERAL CONTRACTOR SHALL COORDINATE WORK IN SHARED PASSAGEWAY WITH ADJACENT PROPERTY OWNER.
- EXISTING GATE AND FENCE TO BE REMOVED. CONTRACTOR CAN SALVAGE FOR REUSE IF ECONOMICAL. REFER TO NEW WORK PLANS.
- EXISTING FLOOR DRAIN TO REMAIN. CONTRACTOR TO VERIFY IF DRAIN IS IN WORKING CONDITION. SEE PLUMBING DRAWINGS.
- EXISTING SURFACE-MOUNTED MAILBOXES TO BE REMOVED. EXERCISE CAUTION SO NOT TO DAMAGE HISTORIC BEADBOARD OR PLASTER. REFER TO NEW WORK PLANS.
- EXISTING 1-STORY ADDITION TO BE DEMOLISHED. REMOVE EXISTING SLAB ON GRADE (ASSUMED - VFI). SEE NEW WORK PLAN AND STRUCTURAL DRAWINGS.
- NEW DOOR OPENING AT LOCATION OF EXISTING WINDOW OPENING. REMOVE EXISTING MASONRY INFILL, REMOVE SILL AND PORTIONS OF MASONRY WALL BELOW SILL AS REQUIRED TO INSTALL NEW DOOR FRAME, AND TRANSOM. MASONRY OPENING WILL NEED ENLARGED AS SHOWN - PROVIDE TEMPORARY BRACING OR SHORING AS REQ'D. SEE STRUCTURAL DWGS FOR LINTEL. COORDINATE WITH NEW WORK PLANS FOR REQ'D DIMENSIONS.
- LOCATION OF EXISTING ROOF HATCH. REFER TO NEW WORK PLANS.
- EXISTING METAL OR STONE CHIMNEY CAPS. REPLACE IF CAP IF DETEIORATED OR MISSING.
- REMOVE AND REPLACE DETEIORATED WOOD RAKE BOARDS. REFER TO NEW WORK PLANS AND ELEVATIONS.
- EXISTING BRICK SITE PARTY WALL TO REMAIN. REMOVE DAMAGED METAL COPING. REFER TO NEW WORK PLANS.
- EXISTING BATT INSULATION AT ATTIC FLOOR AND CEILING TO BE REMOVED.
- REMOVE EXISTING STOOP CONSTRUCTION AS REQUIRED TO ACCOMMODATE NEW WORK.
- ARCHITECT WAS NOT ABLE TO ACCESS THIS AREA. CONTACT ARCHITECT WHEN ACCESSIBLE.

- EXISTING BRICK PARAPET WALL WITH TERRA COTTA COPING TO REMAIN. REFER TO GENERAL NOTES FOR MASONRY CLEANING AND RESTORATION. SEE ROOF NEW WORK PLANS FOR COPING REPAIRS.
- CUT NEW OR ENLARGED OPENING IN EXISTING ROOF OR ATTIC STRUCTURE FOR NEW ROOF HATCH. SEE NEW WORK PLANS AND STRUCTURAL DWGS.
- CONTRACTOR TO SALVAGE EXIST. BATH TUB FOR REUSE IF IN GOOD CONDITION. REMOVE EXIST. TUB SURROUND. REFER TO NEW WORK AND PLUMBING PLANS. ENSURE TUB AT FIRE-RATED WALL DOES NOT INTERRUPT RATING.
- REMOVE NON-HISTORIC DOOR, FRAME, LINTEL, AND SILL. PREPARE OPENING FOR MASONRY INFILL PER NEW WORK PLANS.
- LINE INDICATES SLOPED UNDERSIDE OF EXISTING HISTORIC STAIR ABOVE. REMOVE FINISHES AND PREP FOR NEW GYP. BOARD AND FIRE RATING WHERE NOTED ON NEW WORK PLANS.
- REMOVE HISTORIC WOOD BEADBOARD AT CEILING.
- REMOVE FLOOR HATCH. PREP FLOOR OPENING FOR INFILL. REFER TO NEW WORK PLANS AND STRUCTURAL DWGS.
- LOCATION OF INTERNAL ROOF DRAIN LEADER. CONTRACTOR TO VERIFY CONDITION OF LEADER AND STORM CONNECTION. SCOPE EXISTING BELOW-GRADE STORM LINES. REFER TO NEW WORK PLANS AND PLUMBING DWGS.
- EXISTING STEEL/WOOD JOIST END REINFORCEMENT BEAMS AND POSTS. SEE STRUCTURAL DRAWINGS.
- EXISTING CAST IRON CLUBS TO REMAIN OR BE REPLACED IF DETEIORATED BEYOND REPAIR. SEE EXTERIOR ELEVATIONS AND STRUCTURAL DWGS.
- RAISE EXISTING HEADER AT EXISTING OPENING. REFER TO NEW WORK PLANS.
- REMOVE EXISTING SLAB ON DECK. REFER TO STRUCTURAL DWGS.
- REMOVE PORTION OF SLAB AND EXCAVATE AS REQUIRED FOR NEW FOOTINGS, SHOWN FOR REFERENCE. SEE STRUCTURAL DRAWINGS AND NEW WORK PLAN.

X. NOT USED
 REFER TO NOTES BELOW FOR TREATMENT OF INTERIOR WINDOW TRIM:
 1. EXISTING HISTORIC INTERIOR WOOD WINDOW TRIM TO REMAIN IN PLACE. REPAIR TO MATCH EXISTING WHERE DAMAGED OR DETEIORATED. PAINT.
 2. REMOVE AND SALVAGE HISTORIC INTERIOR WOOD WINDOW TRIM FOR REINSTALLATION. REPAIR TO MATCH EXISTING WHERE DAMAGED OR DETEIORATED. PROVIDE WOOD JAMB AND SILL EXTENDERS WHERE REQUIRED AT NEWLY FURRED WALLS. PRIME AND PAINT.
 3. PROVIDE NEW WOOD WINDOW TRIM TO MATCH ADJACENT HISTORIC WINDOW TRIM. PRIME / PAINT.
 4. WHERE NO EXISTING INTERIOR WINDOW TRIM IS PRESENT AT HISTORIC WINDOW OPENING, PROVIDE NEW CONTEMPORARY WOOD WINDOW TRIM. PRIME AND PAINT. SEE TYPICAL TRIM ON SHEET A0.5.
 Y. EXISTING HISTORIC METAL DOOR AND FRAME TO REMAIN. REPAIR AND PAINT COMPONENTS PREVIOUSLY PAINTED.
 Z. EXISTING HISTORIC SLIDING METAL DOOR AND TRACK. REMOVE AND REINSTALL IN FIXED OPEN POSITION. NEW FIRE RATED DOOR AND FRAME TO BE INSTALLED.
 AA. EXISTING HISTORIC SLIDING METAL DOOR AND TRACK TO REMAIN. DOOR IS TO BE FIXED IN THE CLOSED POSITION. HISTORIC OPENING TO BE INFILLED.
 AB. EXISTING HISTORIC METAL DOOR AND FRAME TO BE REMOVED. INSTALL NEW FIRE RATED DOOR AND FRAME AT EXISTING OPENING.
 AC. EXISTING HISTORIC WOOD DOOR, FRAME, AND TRIM TO REMAIN. REPAIR AND PAINT.
 AD. EXISTING HISTORIC WOOD DOOR AND FRAME TO REMAIN AND BE FIXED IN CLOSED POSITION. HISTORIC TRIM TO REMAIN ON EXPOSED SIDE ONLY. REFER TO NEW WORK PLANS. REPAIR, PRIME, AND PAINT.
 AE. EXISTING HISTORIC WOOD DOOR OR CASED OPENING TRIM TO REMAIN. REPAIR, PRIME, AND PAINT.
 AF. REMOVE HISTORIC DOOR AND FRAME. HISTORIC TRIM TO BE SALVAGED AND REINSTALLED IF WALL REMAINS AND APPLICABLE. REPAIR AND PAINT.
 AG. HISTORIC WOOD DOOR TRIM TO REMAIN. SALVAGE AND REINSTALL AT NEW DOOR FRAME. REPAIR AND PAINT.
 AH. REMOVE EXISTING DOOR, EXISTING FRAME AND TRIM TO REMAIN. REPAIR, PRIME, AND PAINT.
 AJ. NOT USED.
 AK. NOT USED.
 AL. HISTORIC STOREFRONT ELEMENTS TO REMAIN. ALL CAST IRON AND / OR STONE ELEMENTS ARE TO REMAIN IN PLACE AND BE STABILIZED. REMOVE ALL NON-HISTORIC STOREFRONT INFILL. PROVIDE TEMPORARY BRACING AND SHORING AS REQ'D. EXERCISE CAUTION SO AS NOT TO DAMAGE HISTORIC ELEMENTS. NOTIFY ARCHITECT/ENGINEER OF RECORD FOLLOWING REMOVAL FOR INSPECTION.
 AM. EXISTING CAST IRON CLUBS TO REMAIN. REPAIR AS REQ'D.
 AN. HISTORIC STONE AND METAL ROOF CORNICEL/BRANDING, BRACKETS, AND MouldING TO REMAIN. REPAIR DETEIORATED ELEMENTS TO MATCH EXISTING. PAINT IF PREVIOUSLY PAINTED.
 AO. EXISTING HISTORIC WOOD TRANSOM BAR AND WOOD BRICK MOULD TO REMAIN - REPAIR AND PAINT. EXISTING NON-HISTORIC ENTRY DOOR AND WOOD FRAMED TRANSOM INFILL TO BE REMOVED. PROVIDE NEW ALUMINUM CLAD WOOD DOOR, SIDE PANEL, AND TRANSOM WINDOW.
 AP. HISTORIC WOOD SHUTTERS TO BE REMOVED AND SALVAGED FOR REINSTALLATION IN THE FIXED POSITION. REPAIR AND PAINT. REMOVE EXISTING INTERIOR FRAMING AT OPENING AND PREP FOR NEW INFILL PER NEW WORK PLANS. INTERIOR TRIM TO BE REMOVED AND SALVAGED FOR REINSTALLATION. REPAIR AND PAINT.
 AQ. HISTORIC BOX GUTTER TO REMAIN. REPAIR ALL DETEIORATED ELEMENTS. PAINT. PROVIDE NEW ROOF MEMBRANE LINES AND SLOPE TO DRAIN TO NEW OR EXISTING DOWNSPOUT LOCATION.
 AR. HISTORIC WOOD BRICK MOULD TO REMAIN - REMOVE EXIST. INFILL. PROVIDE NEW ALUMINUM CLAD WOOD DOORS AND TRANSOM WINDOW.
 AS. HISTORIC WOOD TRANSOM, BRICK MOULD, AND INTERIOR WOOD TRIM TO REMAIN - REPAIR AND PAINT. INSTALL NEW ALUMINUM CLAD WOOD DOOR.

CEILING
 INTERIOR TRIM
 INTERIOR DOORS
 WINDOW TRIM
 FLOORING
 EXTERIOR



ATTIC DEMOLITION PLAN

A2.5 1/4" = 1'-0"



NOT FOR CONSTRUCTION
 CITYSTUDIOS ARCHITECTURE
 1148 Main Street
 Cincinnati, OH 45202
 ph. 513.621.0750
 citystudiosarch.com

advantage
 STRUCTURAL ENGINEERS
 1027 Madison Road
 Cincinnati, OH 45206
 513.396.8900
 www.advantage66.com

VIOX & VIOX
 Civil Engineers, Surveyors and Landscape Architects
 4400 Spring Hill Avenue
 Cincinnati, OH 45212
 www.vioxandviox.com

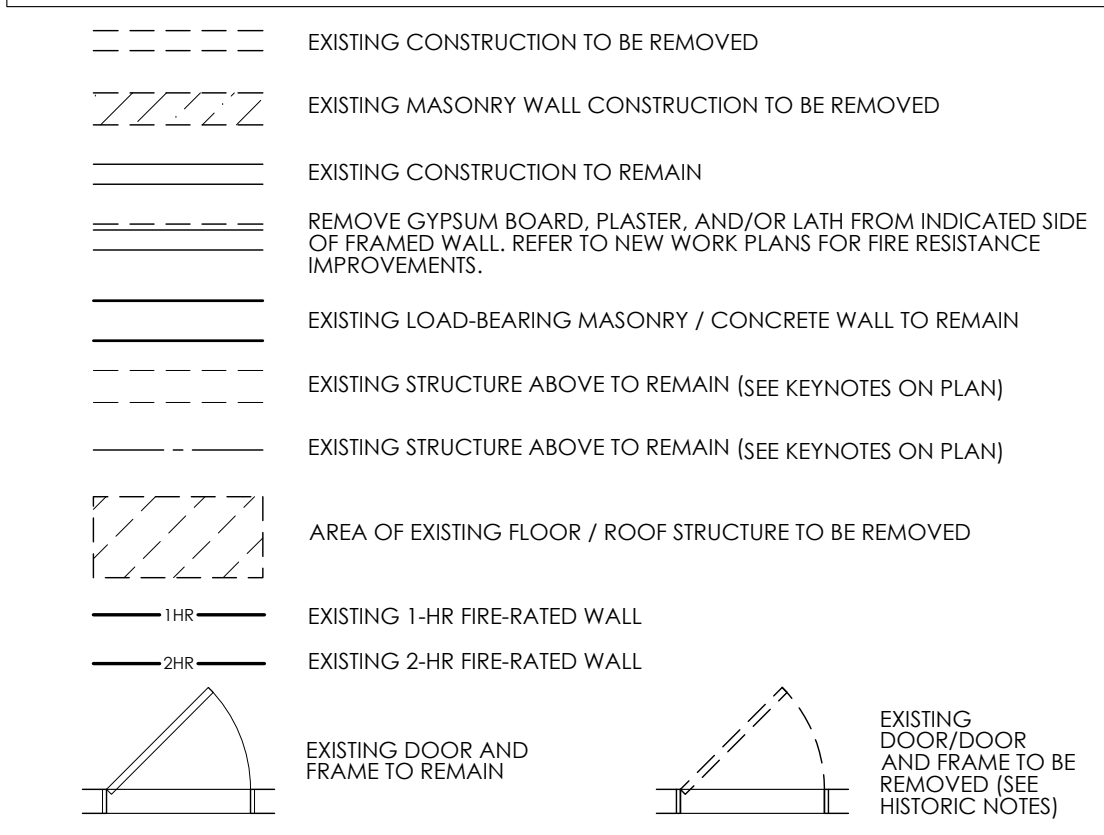
PE Services
 9 North Broadway
 Lebanon, OH 45046
 513-836-3810

RUSS ALLEY
 1623 - 1625 VINE STREET, 1624 REPUBLIC STREET
 (1625 VINE HPTC APPLICATION)
 CINCINNATI, OH 45202

3CDCG CINCINNATI CENTER CITY DEVELOPMENT CORPORATION
 ISSUE LOG:
 06.02.2023 ISSUE FOR PERMIT
 07.14.2023 PERMIT REVISION 1
 09.21.2023 OHFA PRELIM. SUBMISSION

ATTIC DEMOLITION PLAN
A2.5
 PRELIMINARY:
 NOT FOR CONSTRUCTION

DEMOLITION PLAN GRAPHIC KEY



DEMOLITION PLAN GENERAL NOTES

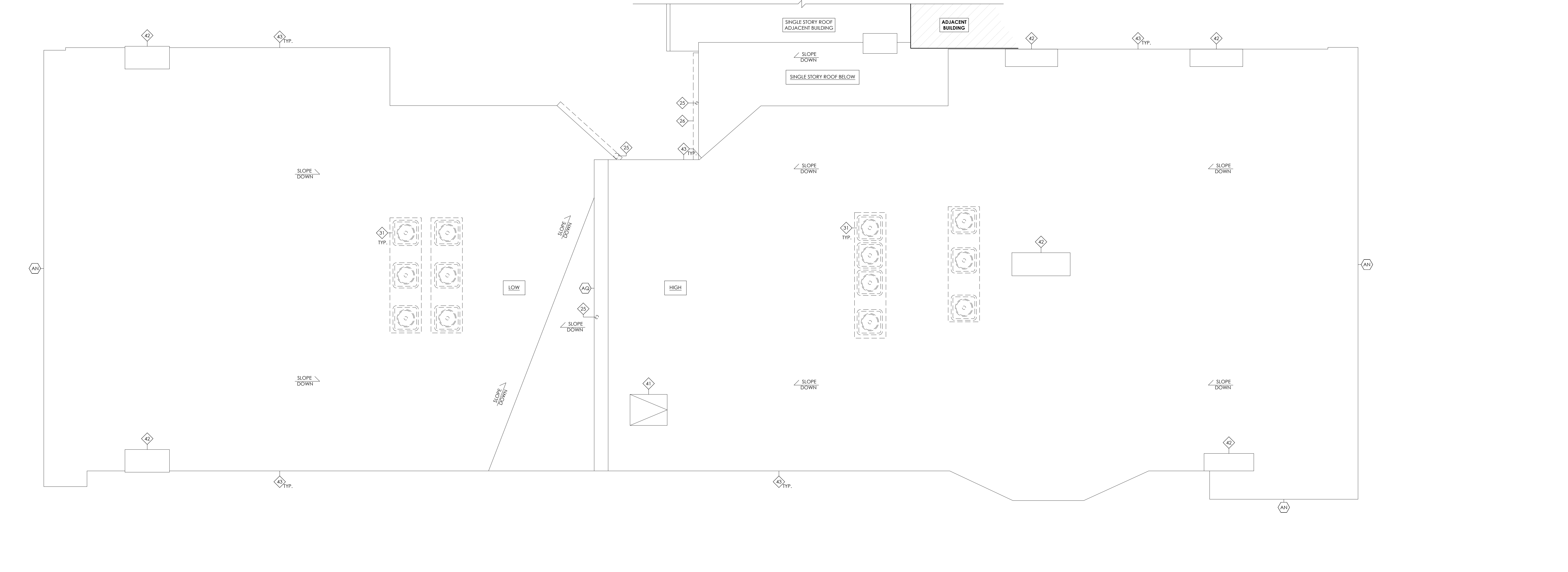
- ALL DASHED ELEMENTS TO BE REMOVED. U.N.O. CONSULT ARCH. IF INTENT IS UNCLEAR.
- ALL LOAD-BEARING WALLS, COLUMNS, BEAMS, AND STRUCTURAL ELEMENTS TO REMAIN. U.N.O. WHERE EXISTING STRUCTURE IS NOTED TO BE REMOVED, SHORE AND BRACE EXISTING BUILDING AS REQUIRED.
- WHERE EXISTING STUD-FRAMED WALLS ARE INDICATED TO REMAIN, REMOVE GYP. BOARD AND OTHER NON-HISTORIC WALL FINISHES, FASTENERS, INSULATION, ETC. DOWN TO STUDS. REMOVE BASEBOARD. PREP FOR NEW WORK.
- COORDINATE ANY NEW MASONRY OPENINGS WITH NEW WORK PLANS. TOOTH OUT BRICK AT JAMBS AND SALVAGE SUFFICIENT BRICK FOR KEYING IN AT JAMBS. REFER TO STRUCTURAL DWGS.
- REFER TO 'DEMOLITION ELEVATION GENERAL NOTES' ON THE A5.0 SHEET SERIES OF EXTERIOR ELEVATIONS FOR TREATMENT OF HISTORIC MASONRY.
- HISTORIC STONE LINTELS AND SILLS ARE TO REMAIN. REMOVE ALL CRACKED LINTELS IN PREPARATION FOR NEW CAST STONE LINTEL TO MATCH EXISTING. REFER TO DEMOLITION AND NEW WORK ELEVATIONS AND STRUCTURAL DRAWINGS. CONTRACTOR IS TO INSPECT ALL INTERIOR WOOD LINTELS AND NOTIFY ARCHITECT/STRUCTURAL ENGINEER OF DETRIORATION.
- CONTRACTOR SHALL EVALUATE CONDITION OF ALL EXISTING PLASTER SURFACES AND REMOVE ALL LOOSE PLASTER FROM ALL SURFACES NOT OTHERWISE SCHEDULED FOR DEMOLITION. STABLE PLASTER IS TO REMAIN UNLESS NOTED OTHERWISE. EXERCISE CARE SO AS NOT TO DAMAGE STABLE PLASTER ADJACENT TO LOOSE PLASTER AND SO NOT TO DAMAGE SUBSTRATE BEYOND.
- REMOVE ALL TEMPORARY BARRICADES FROM DOORS, WINDOWS, STOREFRONTS.
- REMOVE ALL VIVY AND ANY SIMILAR PLANT GROWTH FROM EXISTING BRICK AND STONE.
- ALL CHIMNEYS & ASSOCIATED ELEMENTS ARE TO REMAIN. U.N.O. VERIFY STRUCTURAL INTEGRITY IN FIELD - SEE NOTES ON STRUCTURAL DWGS.
- REMOVE ALL EXISTING NON-HISTORIC VINYL, CARPET AND TILE FLOORING INCLUDING ANY ADHESIVES, FASTENERS, OR UNDERLAYMENTS DOWN TO ORIGINAL WOOD FINISH FLOOR OR SUBFLOOR. U.N.O.
- REMOVE ALL GYPSUM BOARD, PLASTER AND LATH, AND/OR SUSPENDED CEILINGS TO EXPOSE FLOOR JOISTS / ROOF BATTENS AND PERMIT INSTALLATION OF CONCEALED MECHANICAL, ELECTRICAL, AND PLUMBING SYSTEMS. U.N.O. CONTACT ARCHITECT AND STRUCTURAL ENGINEER TO ALLOW FOR INSPECTION OF EXISTING FRAMING. EXISTING PLASTER AT UNDERSIDE OF STAIR CAN REMAIN IF IN GOOD / STABLE CONDITION.
- REMOVE ALL EXISTING CABINETRY, COUNTERTOPS, AND KITCHEN APPLIANCES.
- REMOVE ALL EXISTING BATHROOM AND KITCHEN FIXTURES. U.N.O.
- COORDINATE WITH MECHANICAL, ELECTRICAL, AND PLUMBING DRAWINGS AND REMOVE ALL EXISTING EQUIPMENT, FIXTURES, DUCTS, PIPES, WIRES, ETC. EXTRANEOUS TO THE NEW BUILDING SYSTEMS. CAP AND TERMINATE AS REQ'D BY APPLICABLE CODES AND UTILITY PROVIDERS.
- NEW OPENINGS FOR M.E.P. SYSTEMS ARE NOT SHOWN. TRENCHING OF CONCRETE FLOOR SLAB AND DEMO WORK FOR PLUMBING AND UTILITIES IS NOT SHOWN. CONTRACTOR TO COORDINATE THIS WORK WITH M.E.P. DRAWINGS.
- REMOVE ALL LAYERS OF EXISTING ROOFING (AND INSULATION WHERE OCCURS) DOWN TO EXISTING ROOF SHEATHING. REMOVE ALL DAMAGED AND DETRIORATED ROOF SHEATHING IN PREPARATION FOR NEW ROOF SHEATHING. REMOVE ALL ROOF FASTENERS, FLASHING, TERMINATION BARS, ETC. TO PREPARE FOR NEW ROOF. SEQUENCE THIS WORK WITH NEW ROOF INSTALLATION SO AS TO PROTECT BUILDING FROM THE ELEMENTS AT ALL TIMES.

HISTORIC KEYNOTES

- REFER TO DOOR AND WINDOW TAGS ON NEW WORK PLANS AND TO DOOR AND WINDOW SCHEDULES ON SHEETS A0.4 AND A0.5 FOR DETAILED SCOPE OF WORK AT HISTORIC DOOR AND WINDOW OPENINGS.
 - IF NOTE OCCURS AT CENTER OF ROOM, NOTE APPLIES TO ALL WALLS. U.N.O.
 - BRICK TO REMAIN EMPLOYED WHERE NO PLASTER IS PRESENT. PROVIDE MASONRY CONSOLIDATOR, PRIME AND PAINT WHERE PREVIOUSLY PAINTED.
 - REMOVE AND SALVAGE HISTORIC METAL STAMPED CEILING PANELS AND CROWN MOULDING FOR REINSTALLATION OVER FIRE-RATED CEILING. SEE NEW WORK PLANS FOR LOCATION OF REINSTALLED CEILING.
 - NOT USED
 - NOT USED
 - EXISTING HISTORIC WOOD BASEBOARD TO REMAIN IN PLACE. REPAIR TO MATCH EXISTING WHERE DAMAGED OR DETRIORATED AND PAINT.
 - REMOVE AND SALVAGE EXISTING HISTORIC WOOD BASEBOARD FOR REINSTALLATION WHERE WALL IS TO BE FURRED OUT FOR THERMAL INSULATION OR WHERE PLASTER IS TO BE REMOVED TO IMPROVE FIRE RESISTANCE RATING (SEE WALL TYPES AND NEW WORK PLANS FOR ADDITIONAL INFORMATION). REINSTALL SALVAGED HISTORIC BASEBOARD OVER NEW GYPSUM BOARD. REPAIR, PRIME AND PAINT.
 - REMOVE EXISTING HISTORIC BASEBOARD REMNANTS.
 - HISTORIC WOOD BEADBOARD WAINSCOT AND CHAIR RAIL TO REMAIN - REPAIR AND PAINT, WHERE DETRIORATED OR MISSING PROVIDE NEW TO MATCH - PAINT.
 - REMOVE EXISTING HISTORIC WOOD BEADBOARD WAINSCOT AND CHAIR RAIL SALVAGE FOR RELOCATION. INSTALL AT STAIRWALL WALLS NOW EXPOSED BY SHAFT WALL DEMOLITION - SEE NEW WORK PLANS. REPAIR, PRIME, PAINT.
 - REMOVE EXISTING HISTORIC CROWN MOULDING REMNANTS.
 - EXISTING HISTORIC MANTEL AND HEARTH (WHERE OCCURS) TO REMAIN IN PLACE. CLEAN AND REPAIR AS REQ'D. PROVIDE NEW PAINT AT MANTEL WHERE PREVIOUSLY PAINTED. PROVIDE NEW STAIR AT MANTEL WHERE PREVIOUSLY STAINED.
 - HISTORIC WOOD FLOORING TO REMAIN. PATCH ALL DAMAGED, DETRIORATED, OR MISSING BOARDS. REFINISH. SEE FINISH SCHEDULE ON A0.2 FOR ADDITIONAL INFO.
 - EXISTING HISTORIC MOSAIC TILE FLOORS TO REMAIN IN PLACE. REPAIR AS REQ'D. SEE FINISH SCHEDULE ON A0.2.
 - EXISTING WOOD FLOORING TO BE CONCEALED BY NEW FINISH FLOORING AS INDICATED ON FINISH SCHEDULE. SEE A0.2 FOR ADDITIONAL INFO.
 - REMOVE EXISTING HISTORIC METAL FLOOR GRATE AND SALVAGE FOR REINSTALLATION AT EXISTING LOCATION ABOVE NEW FLOOR INFILL. GRATE SHALL BE FLUSH WITH NEW FLOORING.
 - CONTEMPORARY VINYL FLOORING AND LUAN SUBSTRATE TO BE CAREFULLY REMOVED TO EXPOSE EXISTING HISTORIC WOOD FLOORING. PATCH ALL DAMAGED, DETRIORATED, OR MISSING BOARDS. REFINISH. SEE FINISH SCHEDULE ON A0.2 FOR ADDITIONAL INFO.
 - EXISTING HISTORIC STAIR, NEWEL POSTS, NEWEL POST CAPS, BALUSTRADES, AND HANDRAILS (WHERE OCCURS) TO REMAIN. REPAIR OR REPLACE DAMAGED / DETRIORATED / MISSING STAIR COMPONENTS TO MATCH EXIST. PAINT.
 - EXISTING HISTORIC SKYLIGHT TO REMAIN. REPAIR AND REGLAZE AS REQUIRED. SEE STRUCTURAL DWGS. HISTORIC WOOD BEADBOARD SURROUND TO REMAIN. REPAIR AS REQ'D - PAINT.
 - HISTORIC WOOD BEADBOARD SURROUND AT ABANDONED, INFILLED, SKYLIGHT TO REMAIN. REMOVE, SALVAGE, AND REINSTALL OR REPLICATE HISTORIC BEADBOARD SURROUND AS REQ'D TO FIRE-RATE SURROUNDING BEAMS. PAINT.
- *COMBINE LETTERS IN "WINDOW" CATEGORY WITH NUMBERS OF "WINDOW TRIM" CATEGORY**
- REMOVE NON-HISTORIC WINDOW. HISTORIC WOOD WEIGHT BOX AND BRICK MOULD TO REMAIN. INSTALL NEW WINDOW WITHIN WEIGHT BOX. REPLACE DETRIORATED HISTORIC WOOD BRICK MOULD TO MATCH HISTORIC PROFILE IF REQUIRED. PAINT.
 - PROVIDE NEW CUSTOM WOOD WINDOW AND BRICKMOULD TO MATCH EXISTING ADJACENT HISTORIC WINDOW. INSTALLATION TO MATCH HISTORIC INSTALLATION - PAINT.
 - REMOVE NON-HISTORIC WINDOW OR INFILL (WHERE OCCURS) BACK TO HISTORIC ROUGH MASONRY OPENING, INCLUDING BLOCCING, WEIGHT BOXES, AND BRICK MOULD (WHERE PRESENT). INFILL PER NEW WORK PLANS. EXISTING EXTERIOR HEADER AND SILL TO REMAIN. REFER TO NEW WORK PLANS.
 - EXISTING HISTORIC WOOD WINDOW AND ALL ASSOCIATED WINDOW COMPONENTS TO REMAIN. REPAIR TO AN OPERABLE CONDITION - PAINT. INSTALL NEW EXTERIOR STORM WINDOW (WHERE APPLICABLE).

DEMOLITION PLAN KEYNOTES

- NOT USED
- REFER TO NOTES BELOW FOR TREATMENT OF INTERIOR WINDOW TRIM:
- EXISTING HISTORIC INTERIOR WOOD WINDOW TRIM TO REMAIN IN PLACE. REPAIR TO MATCH EXISTING WHERE DAMAGED OR DETRIORATED. PAINT.
- REMOVE AND SALVAGE HISTORIC INTERIOR WOOD WINDOW TRIM FOR REINSTALLATION. REPAIR TO MATCH EXISTING WHERE DAMAGED OR DETRIORATED. PROVIDE WOOD JAMB AND SILL EXTENDERS WHERE REQUIRED AT NEWLY FURRED WALLS. PRIME AND PAINT.
- PROVIDE NEW WOOD WINDOW TRIM TO MATCH ADJACENT HISTORIC WINDOW TRIM. PRIME / PAINT.
- WHERE NO EXISTING INTERIOR WINDOW TRIM IS PRESENT AT HISTORIC WINDOW OPENING, PROVIDE NEW CONTEMPORARY WOOD WINDOW TRIM. PRIME AND PAINT. SEE TYPICAL TRIM ON SHEET A0.5.
- EXISTING HISTORIC METAL DOOR AND FRAME TO REMAIN. REPAIR AND PAINT COMPONENTS PREVIOUSLY PAINTED.
- EXISTING HISTORIC SLIDING METAL DOOR AND TRACK. REMOVE AND REINSTALL IN FIXED OPEN POSITION. NEW FIRE RATED DOOR AND FRAME TO BE INSTALLED.
- EXISTING HISTORIC SLIDING METAL DOOR AND TRACK TO REMAIN. DOOR IS TO BE FIXED IN THE CLOSED POSITION. HISTORIC OPENING TO BE INFILLED.
- EXISTING HISTORIC METAL DOOR AND FRAME TO BE REMOVED. INSTALL NEW FIRE RATED DOOR AND FRAME IN EXISTING OPENING.
- EXISTING HISTORIC WOOD DOOR, FRAME, AND TRIM TO REMAIN. REPAIR AND PAINT.
- EXISTING HISTORIC WOOD DOOR AND FRAME TO REMAIN AND BE FIXED IN CLOSED POSITION. HISTORIC TRIM TO REMAIN ON EXPOSED SIDE ONLY. REFER TO NEW WORK PLANS. REPAIR, PRIME, AND PAINT.
- EXISTING HISTORIC WOOD DOOR OR CASED OPENING TRIM TO REMAIN. REPAIR, PRIME, AND PAINT.
- REMOVE HISTORIC DOOR AND FRAME. HISTORIC TRIM TO BE SALVAGED AND REINSTALLED IF WALL REMAINS AND APPLICABLE. REPAIR AND PAINT.
- HISTORIC WOOD DOOR TRIM TO REMAIN. SALVAGE AND REINSTALL AT NEW DOOR FRAME. REPAIR AND PAINT.
- REMOVE EXISTING DOOR, EXISTING FRAME AND TRIM TO REMAIN. REPAIR, PRIME, AND PAINT.
- NOT USED
- NOT USED
- REMOVE EXISTING DOOR, EXISTING HISTORIC WOOD FRAME AND TRANSOM TO REMAIN. REPAIR AND PAINT. PROVIDE NEW GLAZING OR FL WOOD PANEL AT EXISTING TRANSOM AS INDICATED ON DOOR SCHEDULE. HISTORIC TRIM TO REMAIN AT STAIR SIDE ONLY. SALVAGE HISTORIC TRIM FROM UNIT SIDE FOR REINSTALLATION OVER NEW FIRE RATED FRAME, IF REQUIRED.
- EXISTING FIRE ESCAPE TO REMAIN. GENERAL CONTRACTOR SHALL BE RESPONSIBLE FOR FIRE ESCAPE EXAMINATION INSPECTION AND REPAIRS PER CITY OF CINCINNATI. CLEAN AND PAINT.
- REMOVE PORTION OF EXISTING FIRE ESCAPE AT 4TH FLOOR THAT CONNECTS TO THE ADJACENT BUILDING'S EXISTING FIRE ESCAPE. GENERAL CONTRACTOR SHALL BE RESPONSIBLE FOR FIRE ESCAPE EXAMINATION, INSPECTION, AND REPAIRS PER CITY OF CINCINNATI. CLEAN AND PAINT.
- EXISTING CAST IRON CURB TO REMAIN. REPAIR AS REQ'D.
- HISTORIC STONE AND METAL ROOF CORNICER/BANDING, BRACKETS, AND MOULDING TO REMAIN. REPAIR DETRIORATED ELEMENTS TO MATCH EXISTING. PAINT IF PREVIOUSLY PAINTED.
- EXISTING HISTORIC WOOD TRANSOM BAR AND WOOD BRICK MOULD TO REMAIN - REPAIR AND PAINT. EXISTING NON-HISTORIC ENTRY DOOR AND WOOD FRAMED TRANSOM INFILL TO BE REMOVED. PROVIDE NEW ALUMINUM CLAD WOOD DOOR, SIDE PANEL, AND TRANSOM WINDOW.
- HISTORIC WOOD SHUTTERS TO BE REMOVED AND SALVAGED FOR REINSTALLATION IN THE FIXED POSITION. REPAIR AND PAINT. REMOVE EXISTING INTERIOR FRAMING AT OPENING AND PREP FOR NEW INFILL PER NEW WORK PLANS. INTERIOR TRIM TO BE REMOVED AND SALVAGED FOR REINSTALLATION. REPAIR AND PAINT.
- HISTORIC BOX GUTTER TO REMAIN. REPAIR ALL DETRIORATED ELEMENTS. PAINT. PROVIDE NEW ROOF MEMBRANE LINER AND SLOPE TO DRAIN TO NEW OR EXISTING DOWNSPOUT LOCATION.
- HISTORIC WOOD BRICK MOULD TO REMAIN - REMOVE EXIST. INFILL. PROVIDE NEW ALUMINUM CLAD WOOD DOORS AND TRANSOM WINDOW.
- HISTORIC WOOD TRANSOM, BRICK MOULD, AND INTERIOR WOOD TRIM TO REMAIN - REPAIR AND PAINT. INSTALL NEW ALUMINUM CLAD WOOD DOOR.
- REMOVE EXISTING DOWNSPOUT.
- REMOVE EXISTING CONCRETE SIDEWALK PER DOTC STANDARDS. SEE CIVIL DRAWINGS.
- REMOVE EXISTING CONCRETE WALKWAY. SEE CIVIL DRAWINGS.
- EXISTING CAST IRON OR STEEL COLUMN TO REMAIN.
- LINE OF EXISTING STRUCTURE ABOVE TO REMAIN (BEAM, HEADER, ROOF OVERHANG, ETC.). IF BEAM IS CONCEALED - REMOVE PLASTER OR BRICKWALL ENCLOSURE AT BEAM.
- REMOVE EXISTING SLAB ON GRADE. PREP FOR NEW SLAB AND WATERPROOFING.
- LOCATION OF EXISTING BASEMENT WINDOW WELL.
- EXISTING WOOD FRAMED STAIRS TO REMAIN. MODIFY BOTTOM RISER(S) AS REQ'D IF LOCATED AT NEW BASEMENT SLAB.
- REMOVE EXISTING WOOD STAIRS IN ITS ENTIRETY.
- LOCATION OF EXISTING ELECTRIC EQUIPMENT. SEE MEP DRAWINGS.
- LOCATION OF EXISTING GAS SERVICE. SEE MEP DRAWINGS.
- LOCATION OF EXISTING WATER OR FIRE SERVICE. SEE MEP & FP DRAWINGS.
- EXISTING SPACE UNDER SIDEWALK/R.O.W.
- REMOVE EXISTING INFILL & FOUNDATION WALL OPENING. CONTACT ARCHITECT WHEN AREA IS ACCESSIBLE FOR INVESTIGATION.
- REMOVE EXISTING STRUCTURE. PROVIDE TEMPORARY SHORING. SEE STRUCTURAL DRAWINGS.
- REMOVE STONE SILL AS REQUIRED FOR CONSTRUCTION OF NEW HANDICAP ACCESSIBLE ENTRANCE. SEE NEW WORK PLANS AND STRUCTURAL DRAWINGS.
- REMOVE AREA OF CONCRETE SLAB OR WOOD FLOOR FRAMING AS REQUIRED FOR CONSTRUCTION OF NEW HANDICAP ACCESSIBLE ENTRANCE. SEE NEW WORK PLANS AND STRUCTURAL DRAWINGS.
- NEW MASONRY OPENING - SEE NEW WORK PLANS AND STRUCTURAL DRAWINGS. PROVIDE TEMPORARY BRACING OR SHORING AS REQUIRED.
- LINE OF EXISTING BAY WINDOW ABOVE. REMOVE UNDERSIDE OF BAY ENOUGH FOR ARCHITECT AND STRUCTURAL ENGINEER TO INSPECT FLOOR STRUCTURE.
- EXISTING FIRE ESCAPE TO REMAIN. GENERAL CONTRACTOR SHALL BE RESPONSIBLE FOR FIRE ESCAPE EXAMINATION INSPECTION AND REPAIRS PER CITY OF CINCINNATI. CLEAN AND PAINT.
- REMOVE PORTION OF EXISTING FIRE ESCAPE AT 4TH FLOOR THAT CONNECTS TO THE ADJACENT BUILDING'S EXISTING FIRE ESCAPE. GENERAL CONTRACTOR SHALL BE RESPONSIBLE FOR FIRE ESCAPE EXAMINATION, INSPECTION, AND REPAIRS PER CITY OF CINCINNATI. CLEAN AND PAINT.
- EXISTING CAST IRON CURB TO REMAIN. REPAIR AS REQ'D.
- REMOVE EXISTING STAIR PARTY WALL TO REMAIN. REMOVE DAMAGED METAL COPING. REFER TO NEW WORK PLANS.
- EXISTING BATT INSULATION AT ATTIC FLOOR AND CEILING TO BE REMOVED.
- REMOVE EXISTING STOOP CONSTRUCTION AS REQUIRED TO ACCOMMODATE NEW WORK.
- ARCHITECT WAS NOT ABLE TO ACCESS THIS AREA. CONTACT ARCHITECT WHEN ACCESSIBLE.
- EXISTING BRICK PARAPET WALL WITH TERRA COTTA COPING TO REMAIN. REFER TO GENERAL NOTES FOR MASONRY CLEANING AND RESTORATION. SEE ROOF NEW WORK PLANS FOR COPING REPAIRS.
- CUT NEW OR ENLARGED OPENING IN EXISTING ROOF OR ATTIC STRUCTURE FOR NEW ROOF HATCH. SEE NEW WORK PLANS AND STRUCTURAL DWGS.
- CONTRACTOR TO SALVAGE EXIST. BATH TUB FOR REUSE IF IN GOOD CONDITION. REMOVE EXIST. TUB SURROUND. REFER TO NEW WORK AND PLUMBING PLANS. ENSURE TUB AT FIRE-RATED WALL DOES NOT INTERRUPT RATING.
- REMOVE NON-HISTORIC DOOR, FRAME, LINTEL, AND SILL. PREPARE OPENING FOR MASONRY INFILL PER NEW WORK PLANS.
- LINE INDICATES SLOPED UNDERSIDE OF EXISTING HISTORIC STAIR ABOVE. REMOVE FINISHES AND PREP FOR NEW GYP. BOARD AND FIRE RATING WHERE NOTED ON NEW WORK PLANS.
- REMOVE HISTORIC WOOD BEADBOARD AT CEILING.
- REMOVE FLOOR HATCH. PREP FLOOR OPENING FOR INFILL. REFER TO NEW WORK PLANS AND STRUCTURAL DWGS.
- LOCATION OF INTERNAL ROOF DRAIN LEADER. CONTRACTOR TO VERIFY CONDITION OF LEADER AND STORM CONNECTION. SCOPE EXISTING BELOW-GRADE STORM LINES. REFER TO NEW WORK PLANS AND PLUMBING DWGS.
- EXISTING STEEL/WOOD JOIST END REINFORCEMENT BEAMS AND POSTS. SEE STRUCTURAL DRAWINGS.
- EXISTING POST TO REMAIN. SEE STRUCTURAL DRAWINGS.
- EXISTING CAST IRON CURB TO REMAIN OR BE REPLACED IF DETRIORATED BEYOND REPAIR. SEE EXTERIOR ELEVATIONS AND STRUCTURAL DWGS.
- RAISE EXISTING HEADER AT EXISTING OPENING. REFER TO NEW WORK PLANS.
- REMOVE EXISTING SLAB ON DECK. REFER TO STRUCTURAL DWGS.
- REMOVE PORTION OF SLAB AND EXCAVATE AS REQUIRED FOR NEW FOOTINGS, SHOWN FOR REFERENCE. SEE STRUCTURAL DRAWINGS AND NEW WORK PLAN.



1 A2.6 ROOF DEMOLITION PLAN
 1/4" = 1'-0"

NOT FOR CONSTRUCTION

CITYSTUDIOS
 ARCHITECTURE
 1148 Main Street
 Cincinnati, OH 45202
 ph. 513.621.0750
 citystudiosarch.com

advantage
 STRUCTURAL ENGINEERS
 1027 Madison Road
 Cincinnati, OH 45206
 513.396.8900
 www.advantage65.com

VIOX & VIOX
 Civil Engineers, Surveyors, and Landscape Architects
 4450 Spring Grove Avenue, Cincinnati, OH 45242
 Tel: 513.353.3300 Fax: 513.353.3300
 www.vioxandviox.com

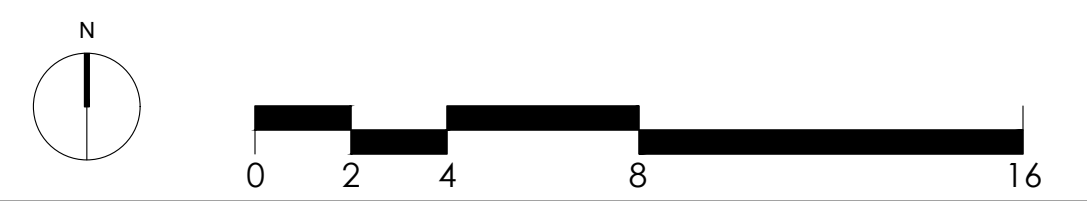
PE Services
 CONSULTING ENGINEERS AND ARCHITECTS
 9 North Broadway
 Lebanon, OH 45046
 513-836-3810
 www.pearce-services.com

RUSS ALLEY
 1623 - 1625 VINE STREET, 1624 REPUBLIC STREET
 (1625 VINE HPTC APPLICATION)
 CINCINNATI, OH 45202

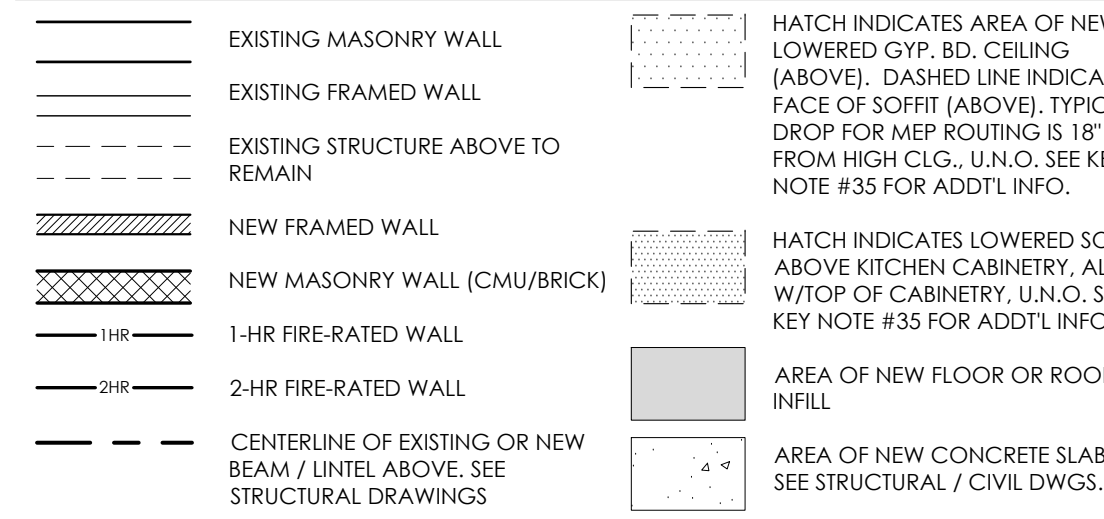
3CDC CINCINNATI CENTER CITY DEVELOPMENT CORPORATION

ISSUE LOG:
 04.02.2023 ISSUE FOR PERMIT
 07.14.2023 PERMIT REVISION 1
 09.21.2023 OHFA PRELIM. SUBMISSION

ROOF DEMOLITION PLAN
A2.6
 PRELIMINARY:
 NOT FOR CONSTRUCTION



NEW WORK PLAN GRAPHIC KEY



NEW WORK PLAN GENERAL NOTES

- DO NOT SCALE DRAWINGS. REFER TO DIMENSIONS AND NOTES.
- DIMENSIONS ARE TO NEW FINISH FACE OF EXISTING FINISH. U.N.O. NEW MASONRY WALLS AND MASONRY OPENINGS ARE DIMENSIONED TO MASONRY.
- EXISTING FRAMED WALLS AT 1629 VINE ST. ARE DIMENSIONED TO FACE OF STUD.
- SEE A3.0, A8.1, & A8.2 FOR TYPICAL KITCHEN AND BATHROOM ENLARGED PLANS AND ELEVATIONS. LOAD BEARING WALLS, COLUMNS, BEAMS, AND STRUCTURAL ELEMENTS TO REMAIN. U.N.O. PATCH AND REPAIR ALL SURFACES TO MATCH EXISTING ADJACENT CONSTRUCTION AT AREAS OF DEMOLITION AND NEW CONSTRUCTION.
- CLEAN BRICK AND STONE MASONRY PER SPECIFICATIONS. PROVIDE TEST AREA FOR REVIEW.
- REPLACE ALL MISSING, CRACKED, ERODED, OR SPALLED BRICKS WITH SALVAGED HISTORIC BRICK OR NEW BRICKS TO MATCH HISTORIC BRICKS. EXERCISE CARE SO AS NOT TO DAMAGE ADJACENT HISTORIC BRICKS TO REMAIN. REPOINT ALL MISSING, DETERIORATED, OR SOFT MORTAR JOINTS IN ALL MASONRY. REFER TO EXTERIOR ELEVATIONS AND SPECIFICATIONS FOR ADDITIONAL REQS.
- REPLACE CRACKED STONE LINTEL AND SILL TO MATCH EXISTING.
- UNPAINTED EXTERIOR MASONRY IS TO REMAIN UNPAINTED. PAINTED EXTERIOR MASONRY IS TO BE REPAINTED - COLOR TBD BY ARCHITECT.
- NEW DOORS IN STUD WALLS LOCATED IN CORNERS ARE NOT DIMENSIONED ON PLANS. INSTALL NEW DOOR 4" FROM END WALL TO INSIDE OF FRAME. U.N.O.
- NEW CLOSET DOORS ARE TO BE CENTERED ON CLOSET. U.N.O.
- PROVIDE BLOCKING AS REQUIRED IN WALLS FOR NEW PARTITIONS, FIXTURES, SHELVING, CABINETS, BATHROOM ACCESSORIES, ETC.
- ALL EXISTING OPENINGS WHERE NEW DOORS ARE TO BE LOCATED ARE TO BE FIELD VERIFIED. ALL OPENINGS MUST BE ASSUMED TO BE UNIQUE.
- AT NEW AND MODIFIED MASONRY OPENINGS, WHERE MASONRY IS EXPOSED, TOOTH-OUT AND KEY-IN MATCHING BRICK. PROVIDE SALVAGED/NEW BRICK TO MATCH EXISTING.
- PROVIDE 1" WOOD SILL PLATE AT WOOD STUD WALLS IN CONTACT CONC. OR MASONRY.
- SEE MEP DRAWINGS FOR LOCATIONS OF ROOF PENETRATIONS. PROVIDE PENETRATION FLASHING PER ROOFING MFRS REQUIREMENTS AND RECOMMENDATIONS.
- CEILING HEIGHTS INDICATED ON PLANS ARE FROM FINISH FLOOR TO FINISH CEILING. COORDINATE WITH MEP ROUTING. CONTACT ARCHITECT FOR DISCREPANCIES.
- PROVIDE FIREBLOCKING IN ALL NEW ASSEMBLIES PER SECTION 718.2.09C.
- THROUGH PENETRATIONS OF FLOOR / CEILING ASSEMBLIES AND WALL ASSEMBLIES INDICATED TO BE FIRE RATED SHALL BE PROTECTED PER PER SECTIONS 714.3.1 & 714.4.1.09C.
- SEE STRUCT. DWGS. FOR TYPICAL JOIST REPAIR AND REINFORCING DETAILS FOR DAMAGED JOISTS DISCOVERED IN THE FIELD AND FOR MODIFICATIONS TO EXISTING JOISTS. VERIFY SCOPE IN FIELD.
- DIMENSIONS IN TUBS & SHOWERS SHOWN FOR REFERENCE AND MUST BE COORDINATED W/ FIXTURE MFR. INSTALLATION INSTRUCTIONS AND WALL FINISH INSTALLATION.
- PROVIDE RADON MITIGATION SYSTEM IN ACCORDANCE WITH OMA AND ECC (GREEN STANDARD) REQUIREMENTS. RADON MITIGATION SYSTEM IS DELEGATED DESIGN. BY GC. ALL RADON PIPING ABOVE BASEMENT IS TO BE CONCEALED BEHIND FINISHES. PROVIDE ELECTRICAL POWER TO THE ATTIC OR ROOF AS REQ'D FOR FUTURE FANS IN CASE TESTING DETERMINES THAT AN ACTIVE SYSTEM IS REQUIRED.
- REPLACE DETERIORATED OR MISSING SUBFLOOR WHERE OCCURS. VERIFY SCOPE OF REPLACEMENT.
- PATCH EXISTING CONCRETE SLABS FLUSH AS REQUIRED AT LOCATIONS OF UNDER-SLAB PLUMBING (NOT SHOWN ON DRAWINGS).
- ALL OF THE EXISTING TO REMAIN CONSTRUCTION MUST BE REVIEWED IN THE FIELD, AND IN SOME CASES, SUB-STANDARD CONSTRUCTION MUST BE RECTIFIED, INCLUDING BUT NOT LIMITED TO DISCONTINUOUS RATED WALL ASSEMBLIES AND MISSING DRAFTSTOPPING.
- WHERE THE DRAWINGS SHOW WORK ABUTTING OR ENCRoACHING ONTO NEIGHBORING PROPERTIES, THE GC SHALL COORDINATE WITH NEIGHBORING PROPERTY OWNERS PRIOR TO PROCEEDING WITH WORK.
- SEE A3.0 FOR TYPICAL COMMERCIAL SPACE RESTROOM ENLARGED PLANS AND ELEVATIONS.
- EXPOSED CONDUIT INTERIOR AND EXTERIOR. EXPOSED DUCTWORK, AND EXPOSED SPRINKLER LINES SHOULD BE PAINTED TO MATCH THE SURFACE IT IS ON.

HISTORIC KEYNOTES

- REFER TO DOOR AND WINDOW TAGS ON NEW WORK PLANS AND TO DOOR AND WINDOW SCHEDULES ON SHEETS A0.4 AND A0.5 FOR DETAILED SCOPE OF WORK AT HISTORIC DOOR AND WINDOW OPENINGS.
- IF NOTE OCCURS AT CENTER OF ROOM, NOTE APPLIES TO ALL WALLS. U.N.O.
- BRICK TO REMAIN EXPOSED WHERE NO PLASTER IS PRESENT. PROVIDE MASONRY CONSOLIDATOR. PRIME AND PAINT WHERE PREVIOUSLY PAINTED.
- REMOVE AND SALVAGE HISTORIC METAL STAMPED CEILING PANELS AND CROWN MOULDING FOR REINSTALLATION OVER FIRE-RATED CEILING. SEE NEW WORK PLANS FOR LOCATION OF REINSTALLED CEILING.
- NOT USED
- NOT USED
- EXISTING HISTORIC WOOD BASEBOARD TO REMAIN IN PLACE. REPAIR TO MATCH EXISTING WHERE DAMAGED OR DETERIORATED AND PAINT.
- REMOVE AND SALVAGE EXISTING HISTORIC WOOD BASEBOARD FOR REINSTALLATION WHERE WALL IS TO BE FURRED OUT FOR THERMAL INSULATION OR WHERE PLASTER IS TO BE REMOVED TO IMPROVE FIRE RESISTANCE RATING. SEE WALL TYPES AND NEW WORK PLANS FOR ADDITIONAL INFORMATION). REINSTALL SALVAGED HISTORIC BASEBOARD OVER NEW GYPSUM BOARD. REPAIR, PRIME AND PAINT.
- REMOVE EXISTING HISTORIC BASEBOARD REMNANTS.
- HISTORIC WOOD BEADBOARD WANSCOOT AND CHAIR RAIL TO REMAIN - REPAIR AND PAINT, WHERE DETERIORATED OR MISSING PROVIDE NEW TO MATCH - PAINT.
- REMOVE EXISTING HISTORIC WOOD BEADBOARD WANSCOOT AND CHAIR RAIL. SALVAGE FOR RELOCATION. INSTALL AT STAIRWALL WALLS NOW EXPOSED BY SHAFT WALL DEMOLITION - SEE NEW WORK PLANS. REPAIR, PRIME, PAINT.
- REMOVE EXISTING HISTORIC CROWN MOULDING REMNANTS.
- EXISTING HISTORIC MANTEL AND HEARTH (WHERE OCCURS) TO REMAIN IN PLACE. CLEAN AND REPAIR AS REQ'D. PROVIDE NEW PAINT AT MANTEL WHERE PREVIOUSLY PAINTED. PROVIDE NEW STAIR AT MANTEL WHERE PREVIOUSLY STAINED.
- HISTORIC WOOD FLOORING TO REMAIN. PATCH ALL DAMAGED, DETERIORATED, OR MISSING BOARDS. REFINISH. SEE FINISH SCHEDULE ON A0.2 FOR ADDITIONAL INFO.
- EXISTING HISTORIC MOSAIC TILE FLOORS TO REMAIN IN PLACE. REPAIR AS REQ'D. SEE FINISH SCHEDULE ON A0.2.
- EXISTING WOOD FLOORING TO BE CONCEALED BY NEW FINISH FLOORING AS INDICATED ON FINISH SCHEDULE. SEE A0.2 FOR ADDITIONAL INFO.
- REMOVE EXISTING HISTORIC METAL FLOOR GRATE AND SALVAGE FOR REINSTALLATION AT EXISTING LOCATION ABOVE NEW FLOOR INFILL. GRATE SHALL BE FLUSH WITH NEW FLOORING.
- CONTEMPORARY VINYL FLOORING AND LUAN SUBSTRATE TO BE CAREFULLY REMOVED TO EXPOSE EXISTING HISTORIC WOOD FLOORING. PATCH ALL DAMAGED, DETERIORATED, OR MISSING BOARDS. REFINISH. SEE FINISH SCHEDULE ON A0.2 FOR ADDITIONAL INFO.
- EXISTING HISTORIC STAIR, NEWEL POSTS, NEWEL POST CAPS, BAILSTRADES, AND HANDRAILS (WHERE OCCURS) TO REMAIN. REPAIR OR REPLACE DAMAGED / DETERIORATED / MISSING STAIR COMPONENTS TO MATCH EXIST. PAINT.
- EXISTING HISTORIC SKYLIGHT TO REMAIN. REPAIR AND REGLAZE AS REQUIRED. SEE STRUCTURAL DWGS. HISTORIC WOOD BEADBOARD SURROUND TO REMAIN. REPAIR AS REQ'D - PAINT.
- HISTORIC WOOD BEADBOARD SURROUND AT ABANDONED, INFILLED. SKYLIGHT TO REMAIN. REMOVE, SALVAGE, AND REINSTALL OR REPLACE HISTORIC BEADBOARD SURROUND AS REQ'D TO FIRE-RATE SURROUNDING BEAMS. PAINT.
- "COMBINE LETTERS IN WINDOW CATEGORY WITH NUMBERS OF WINDOW TRIM" CATEGORY**
- REMOVE NON-HISTORIC WINDOW. HISTORIC WOOD WEIGHT BOX AND BRICK MOULD TO REMAIN. INSTALL NEW WINDOW WITHIN WEIGHT BOX. REPLACE DETERIORATED HISTORIC WOOD BRICK MOULD TO MATCH HISTORIC PROFILE IF REQUIRED. PAINT.
- PROVIDE NEW CUSTOM WOOD WINDOW AND BRICKMOULD TO MATCH EXISTING ADJACENT HISTORIC WINDOW. INSTALLATION TO MATCH HISTORIC INSTALLATION. PAINT.
- REMOVE NON-HISTORIC WINDOW OR HILL (WHERE OCCURS) BACK TO HISTORIC ROUGH MASONRY OPENING, INCLUDING BLOCKING, WEIGHT BOXES, AND BRICK MOULD (WHERE PRESENT). INFILL PER NEW WORK PLANS. EXISTING EXTERIOR HEAD AND SILL TO REMAIN. REFER TO NEW WORK PLANS.
- EXISTING HISTORIC WOOD WINDOW AND ALL ASSOCIATED WINDOW COMPONENTS TO REMAIN. REPAIR TO AN OPERABLE CONDITION - PAINT. INSTALL NEW EXTERIOR STORM WINDOW (WHERE APPLICABLE).

NEW WORK PLAN KEYNOTES

- NOT USED
- REFER TO NOTES BELOW FOR TREATMENT OF INTERIOR WINDOW TRIM:
- EXISTING HISTORIC INTERIOR WOOD WINDOW TRIM TO REMAIN IN PLACE. REPAIR TO MATCH EXISTING WHERE DAMAGED OR DETERIORATED. PAINT.
- REMOVE AND SALVAGE HISTORIC INTERIOR WOOD WINDOW TRIM FOR REINSTALLATION. REPAIR TO MATCH EXISTING WHERE DAMAGED OR DETERIORATED. PROVIDE WOOD JAMB AND SILL EXTENDERS WHERE REQUIRED AT NEWLY FURRED WALLS. PRIME AND PAINT.
- PROVIDE NEW WOOD WINDOW TRIM TO MATCH ADJACENT HISTORIC WINDOW TRIM. PRIME / PAINT.
- WHERE NO EXISTING INTERIOR WINDOW TRIM IS PRESENT AT HISTORIC WINDOW OPENING. PROVIDE NEW CONTEMPORARY WOOD WINDOW TRIM. PRIME AND PAINT. SEE TYPICAL TRIM ON SHEET A0.5.
- EXISTING HISTORIC METAL DOOR AND FRAME TO REMAIN. REPAIR AND PAINT COMPONENTS PREVIOUSLY PAINTED.
- EXISTING HISTORIC SLIDING METAL DOOR AND TRACK. REMOVE AND REINSTALL IN FIXED OPEN POSITION. NEW FIRE RATED DOOR AND FRAME TO BE INSTALLED.
- EXISTING HISTORIC SLIDING METAL DOOR AND TRACK TO REMAIN. DOOR IS TO BE FIXED IN THE CLOSED POSITION. HISTORIC OPENING TO BE INFILLED.
- EXISTING HISTORIC METAL DOOR AND FRAME TO BE REMOVED. INSTALL NEW FIRE RATED DOOR AND FRAME IN EXISTING OPENING.
- EXISTING HISTORIC WOOD DOOR, FRAME, AND TRIM TO REMAIN. REPAIR AND PAINT.
- EXISTING HISTORIC WOOD DOOR AND FRAME TO REMAIN AND BE FIXED IN CLOSED POSITION. HISTORIC TRIM TO REMAIN ON EXPOSED SIDE ONLY. REFER TO NEW WORK PLANS. REPAIR, PRIME, AND PAINT.
- EXISTING HISTORIC WOOD DOOR OR CASED OPENING TRIM TO REMAIN. REPAIR, PRIME, AND PAINT.
- REMOVE HISTORIC DOOR AND FRAME. HISTORIC TRIM TO BE SALVAGED AND REINSTALLED IF WALL REMAINS AND APPLICABLE. REPAIR AND PAINT.
- HISTORIC WOOD DOOR TRIM TO REMAIN. SALVAGE AND REINSTALL AT NEW DOOR FRAME. REPAIR AND PAINT.
- REMOVE EXISTING DOOR. EXISTING FRAME AND TRIM TO REMAIN. REPAIR, PRIME, AND PAINT.
- NOT USED
- NOT USED
- REMOVE EXISTING DOOR. EXISTING HISTORIC WOOD FRAME AND TRANSOM TO REMAIN. REPAIR AND PAINT. PROVIDE NEW GLAZING OR 1/2" WOOD PANEL AT EXISTING TRANSOM AS INDICATED ON DOOR SCHEDULE. HISTORIC TRIM TO REMAIN AT STAIR SIDE ONLY. SALVAGE HISTORIC TRIM FROM UNIT SIDE FOR REINSTALLATION OVER NEW FIRE RATED FRAME, IF REQUIRED.
- STAIR HANDRAIL, 1 1/2" DIAMETER, PAINTED, IS 3/8" AFF. (AT OPEN SIDED BASEMENT STAIR) @ 42". 1 1/2" SQUARE TUBE TOP AND BOTTOM RAILS, VERTICAL STEEL PICKETS @ 4" O.C. GUARD SHALL NOT ALLOW THE PASSAGE OF A 4" SPHERE. DELEGATED DESIGN - GUARDRAIL LOADING SHALL BE IN ACCORDANCE W/ DESIGN LOADS IN STRUCTURAL DRAWINGS. PROVIDE SHOP DRAWINGS.
- INFILL EXISTING BASEMENT WINDOW W/ HELL STARWELL / COAL CHUTE. PROVIDE CMU WALL INFILL. FLUID-APPLIED WATERPROOFING AND DRAINAGE/PROTECTION BOARD ON EXTERIOR SIDE OF CMU PRIOR TO INSTALLING ILL INFILL. ILL WILL PER STRUCTURAL DRAWINGS. LOWER TOPS OF EXISTING WALLS AS REQUIRED FOR NEW EXTERIOR GRADES (VF), WHERE INFILL OCCURS BENEATH H.O.W., INFILL AND PAVING SHALL BE IN ACCORDANCE W/ DOTE STANDARDS. SEE STRUCTURAL DWGS FOR INFILL AND REINFORCING. SEE CIVIL DRAWINGS FOR NEW EXTERIOR GRADING/PAVEMENT, WHERE OCCURS.
- EXISTING WOOD FRAMED STAIRS AND LANDING TO REMAIN. REPAIR AS REQUIRED, PRIME, AND PAINT.
- NEW P.T. WOOD BASEMENT STAIR TO REPLACE EXISTING DETERIORATED STAIR. 1 1/2" TREAD, 7" MAX RISER HEIGHT, EQUAL HEIGHT RISERS, 6"-8" MIN. HEAD HEIGHT, 36" MIN. STAIR WIDTH, WALL-TO-GUARD. PROVIDE 42" HIGH STEEL GUARDRAIL AT OPEN SIDE OF STAIR. GUARDRAIL IS DELEGATED DESIGN. PROVIDE SHOP DRAWINGS FOR STAIR AND RAILINGS.
- STEEL HANDRAIL, 1 1/2" DIAMETER, PAINTED, IS 3/8" AFF. (AT OPEN SIDED BASEMENT STAIR). EXTEND 12" HORIZONTALLY AT TOP OF STAIR AND EXTEND DIAGONALLY (1) TREAD DEPTH AT BOTTOM. RETURN HANDRAIL TO WALL AS SHOWN ON FLOOR PLAN (WHERE PLAN CONSTRUCTION ALLOWS). OTHERWISE RETURN TO FLOOR. EXTERIOR HANDRAILS TO BE GALVANIZED. AT RAMPS: EXTEND HANDRAILS 12" HORIZONTALLY AT TOP AND BOTTOM OF RAMP; WHERE RAMP HANDRAIL IS NOT MOUNTED TO WALL, PROVIDE 1 1/2" DIAMETER POSTS, EQUALLY SPACED AT 4' O.C. MAX SPACING. (INSIDE RESIDENTIAL DWELLING UNIT HANDRAIL EXTENSIONS AT TOP AND BOTTOM OF STAIR NOT REQUIRED; SEE PLAN FOR HANDRAIL CONFIGURATION.)
- BATHUB / SHOWER / ROLL-IN SHOWER** BASE WITH THE SURROUND. SEE PLUMBING DRAWINGS AND INTERIOR ELEVATIONS. PROVIDE GRAB BARS IN BATH / SHOWERS IN ACCESSIBLE UNITS. AT FIRE-RATED WALLS AND EXTERIOR WALLS, GYPSUM BOARD MUST BE CONTINUOUS BEHIND BATH SURROUND. PRIOR TO FRAMING WALLS, VERIFY WALL FRAMING DIMENSIONS W/ BATH MFR, AND COORD. EXACT FRAMING DIMENSIONS IN FIELD, WHERE EXISTING FRAMING OCCURS. FRAMING DIMENSIONS VARY - VERIFY PRIOR TO ORDERING BATHUB / SHOWER BATHS.
- STRUCTURAL CONCRETE SLAB ON GALVANIZED METAL DECK TO REPLACE EXIST. SLAB ON DECK. SEE STRUCT DWGS.
- EXIST. FRAMED HEADER TO BE DOWELLED - ALIGN W/ ADJACENT SOFFIT FOR CONTINUOUS PLANE. SEE PLAN.
- NEW WOOD STAIR INSIDE RAILING UNIT. 10" TREAD, 7 1/2" MAX RISER HEIGHT. PROVIDE EQUAL HT. RISERS IN EACH STAIR RUN. 4"-5" MIN. HEAD HEIGHT, 36" MIN. STAIR WIDTH, MEASURED WALL-TO-WALL OR WALL-TO-GUARD. PROVIDE PAINTED W/D RISER. TREAD TO MATCH WOOD FLOORING ABOVE. SEE STRUCTURAL DRAWINGS. PROVIDE SHOP DRAWINGS.
- 2-HOUR FIRE-RATED CEILING MEMBRANE ABOVE. PROVIDE (4) LAYERS OF 5/8" TYPE X GYP. BD. AND FURRING PER DETAIL 5/A0.3.
- NEW P.T. WOOD STAIR TO REPLACE EXISTING DETERIORATED WOOD STAIR. STAIR CONFIGURATION, TREAD DEPTH AND RISER HEIGHT TO MATCH EXISTING (AN EXISTING NON-COMPLYING CONDITION). PROVIDE 42" HIGH STEEL GUARDRAIL AT OPEN SIDES OF STAIR. GUARDRAIL IS DELEGATED DESIGN. PROVIDE SHOP DRAWINGS FOR STAIR AND RAILINGS. SEE STRUCT DWGS.
- EXISTING STEEL / WOOD POST AND BEAM JOIST REINFORCEMENT TO REMAIN. UNO. EVALUATE CONDITION. REPAIR AS REQUIRED. SEE STRUCTURAL DRAWINGS FOR ADDITIONAL INFO.
- WOOD RAMP, 1:12 MAXIMUM SLOPE. OVER-FRAMED ATOP NEW LOWERED FLOOR STRUCTURE. 36" MIN CLEAR WIDTH BETWEEN HANDRAILS. SEE STRUCTURAL DRAWINGS.
- FLOOR STRUCTURE AT ENTRY TO BE LOWERED TO ACCOMMODATE NEW ACCESSIBLE ENTRANCE. COORDINATE NEW LOWERED FLOOR ELEVATION W/ EXTERIOR GRADE SO THAT INTERIOR FINISHED

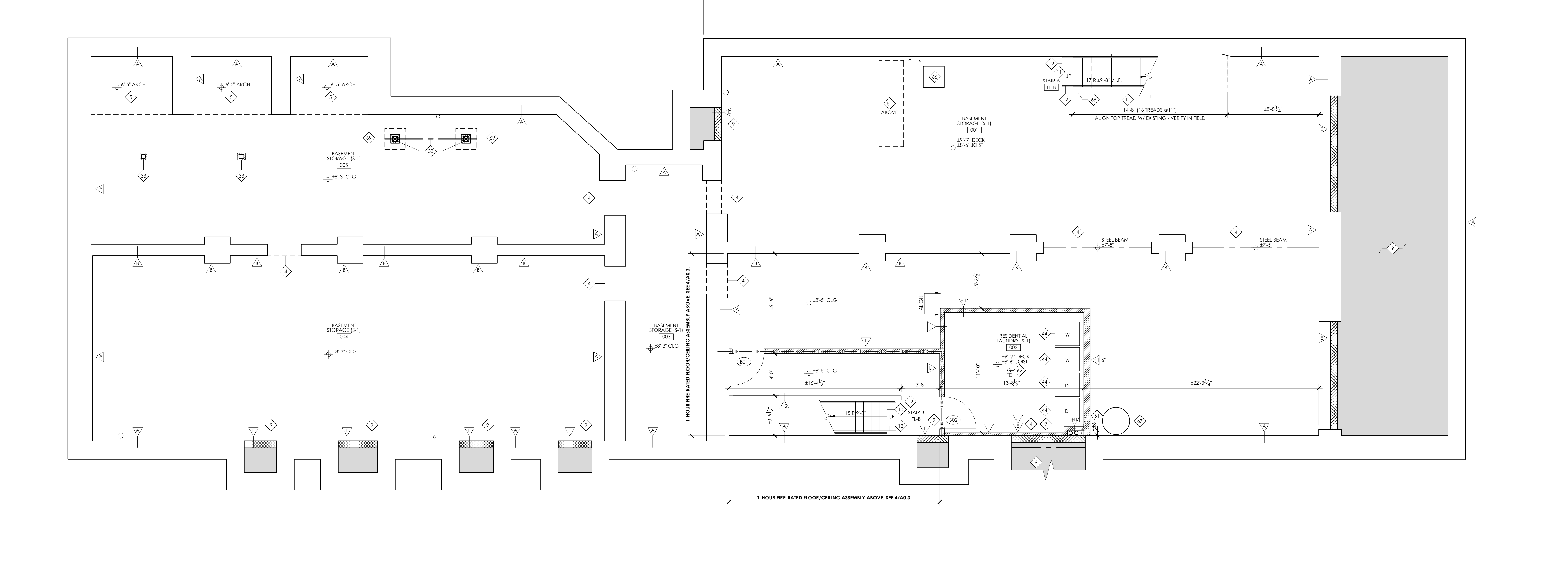
NEW WORK PLAN KEYNOTES

- EXISTING CONCRETE SLAB TO REMAIN. VFA AREA OF SEVERE DAMAGE, AND REPAIR TO MATCH EXISTING. PATCH AND FOLLOWING INSTALLATION OF NEW UNDER-SLAB PLUMBING (NOT SHOWN) - SEE PLUMBING DWGS.
- INTERIOR CONCRETE SLAB ON GRADE. PROVIDE VAPOR RETARDER. SEE STRUCTURAL DRAWINGS FOR ADDITIONAL INFO.
- EXISTING STEEL OR CAST IRON COLUMN TO REMAIN. CLEAN AND PRIME. 2-HR FIRE-RATED. PROVIDE INTUMESCENT COATING. SEE DETAIL 1/A0.3.0. SEE STRUCTURAL DWGS.
- LINE OF EXISTING STRUCTURE ABOVE TO REMAIN (BEAM, HEADER, ROOF OVERHANG, ETC.) CENTERLINE OF EXISTING BEAM ABOVE.
- LINE OF EXISTING BRICK/STONE ARCHES ABOVE TO REMAIN. NEW CONCRETE PAVING OCCURS ABOVE - COORDINATE WITH GIVE AND STRUCTURAL DRAWINGS.
- EXISTING STEEL OR CAST IRON COLUMN TO REMAIN. CLEAN, PAINT.
- REMOVE EXISTING CONCRETE SIDEWALK, SIDEWALK AND BACKFILL BELOW (WHERE OCCURS) SHALL BE IN ACCORDANCE W/ DOTE STANDARDS. SEE STRUCTURAL AND CIVIL DWGS.
- REMOVE NEW EXTERIOR CONCRETE SLAB ON GRADE. SLOPE 1/4" PER FOOT AWAY FROM BUILDINGS. SEE STRUCTURAL DRAWINGS. SEE CIVIL DRAWINGS FOR NEW GRADING, SLOPED CONCRETE WALLS, ETC. AND TYPICAL OF CONCRETE CURB REPLACEMENT. SLOPED CONCRETE WALLS SHALL NOT EXCEED 1:30 SLOPE. EXISTING GRANITE CURBS TO REMAIN AND TO BE RASED WHERE INDICATED ON CIVIL DRAWINGS.
- STEEL GUARDRAIL (INSIDE DWELLING UNIT) @ 35" AFF. (AT OPEN SIDED BASEMENT STAIR) @ 42", 1 1/2" SQUARE TUBE TOP AND BOTTOM RAILS, VERTICAL STEEL PICKETS @ 4" O.C. GUARD SHALL NOT ALLOW THE PASSAGE OF A 4" SPHERE. DELEGATED DESIGN - GUARDRAIL LOADING SHALL BE IN ACCORDANCE W/ DESIGN LOADS IN STRUCTURAL DRAWINGS. PROVIDE SHOP DRAWINGS.
- INFILL EXISTING BASEMENT WINDOW W/ HELL STARWELL / COAL CHUTE. PROVIDE CMU WALL INFILL. FLUID-APPLIED WATERPROOFING AND DRAINAGE/PROTECTION BOARD ON EXTERIOR SIDE OF CMU PRIOR TO INSTALLING ILL INFILL. ILL WILL PER STRUCTURAL DRAWINGS. LOWER TOPS OF EXISTING WALLS AS REQUIRED FOR NEW EXTERIOR GRADES (VF), WHERE INFILL OCCURS BENEATH H.O.W., INFILL AND PAVING SHALL BE IN ACCORDANCE W/ DOTE STANDARDS. SEE STRUCTURAL DWGS FOR INFILL AND REINFORCING. SEE CIVIL DRAWINGS FOR NEW EXTERIOR GRADING/PAVEMENT, WHERE OCCURS.
- EXISTING WOOD FRAMED STAIRS AND LANDING TO REMAIN. REPAIR AS REQUIRED, PRIME, AND PAINT.
- NEW P.T. WOOD BASEMENT STAIR TO REPLACE EXISTING DETERIORATED STAIR. 1 1/2" TREAD, 7" MAX RISER HEIGHT, EQUAL HEIGHT RISERS, 6"-8" MIN. HEAD HEIGHT, 36" MIN. STAIR WIDTH, WALL-TO-GUARD. PROVIDE 42" HIGH STEEL GUARDRAIL AT OPEN SIDE OF STAIR. GUARDRAIL IS DELEGATED DESIGN. PROVIDE SHOP DRAWINGS FOR STAIR AND RAILINGS.
- STEEL HANDRAIL, 1 1/2" DIAMETER, PAINTED, IS 3/8" AFF. (AT OPEN SIDED BASEMENT STAIR). EXTEND 12" HORIZONTALLY AT TOP OF STAIR AND EXTEND DIAGONALLY (1) TREAD DEPTH AT BOTTOM. RETURN HANDRAIL TO WALL AS SHOWN ON FLOOR PLAN (WHERE PLAN CONSTRUCTION ALLOWS). OTHERWISE RETURN TO FLOOR. EXTERIOR HANDRAILS TO BE GALVANIZED. AT RAMPS: EXTEND HANDRAILS 12" HORIZONTALLY AT TOP AND BOTTOM OF RAMP; WHERE RAMP HANDRAIL IS NOT MOUNTED TO WALL, PROVIDE 1 1/2" DIAMETER POSTS, EQUALLY SPACED AT 4' O.C. MAX SPACING. (INSIDE RESIDENTIAL DWELLING UNIT HANDRAIL EXTENSIONS AT TOP AND BOTTOM OF STAIR NOT REQUIRED; SEE PLAN FOR HANDRAIL CONFIGURATION.)
- BATHUB / SHOWER / ROLL-IN SHOWER** BASE WITH THE SURROUND. SEE PLUMBING DRAWINGS AND INTERIOR ELEVATIONS. PROVIDE GRAB BARS IN BATH / SHOWERS IN ACCESSIBLE UNITS. AT FIRE-RATED WALLS AND EXTERIOR WALLS, GYPSUM BOARD MUST BE CONTINUOUS BEHIND BATH SURROUND. PRIOR TO FRAMING WALLS, VERIFY WALL FRAMING DIMENSIONS W/ BATH MFR, AND COORD. EXACT FRAMING DIMENSIONS IN FIELD, WHERE EXISTING FRAMING OCCURS. FRAMING DIMENSIONS VARY - VERIFY PRIOR TO ORDERING BATHUB / SHOWER BATHS.
- STRUCTURAL CONCRETE SLAB ON GALVANIZED METAL DECK TO REPLACE EXIST. SLAB ON DECK. SEE STRUCT DWGS.
- EXIST. FRAMED HEADER TO BE DOWELLED - ALIGN W/ ADJACENT SOFFIT FOR CONTINUOUS PLANE. SEE PLAN.
- NEW WOOD STAIR INSIDE RAILING UNIT. 10" TREAD, 7 1/2" MAX RISER HEIGHT. PROVIDE EQUAL HT. RISERS IN EACH STAIR RUN. 4"-5" MIN. HEAD HEIGHT, 36" MIN. STAIR WIDTH, MEASURED WALL-TO-WALL OR WALL-TO-GUARD. PROVIDE PAINTED W/D RISER. TREAD TO MATCH WOOD FLOORING ABOVE. SEE STRUCTURAL DRAWINGS. PROVIDE SHOP DRAWINGS.
- 2-HOUR FIRE-RATED CEILING MEMBRANE ABOVE. PROVIDE (4) LAYERS OF 5/8" TYPE X GYP. BD. AND FURRING PER DETAIL 5/A0.3.
- NEW P.T. WOOD STAIR TO REPLACE EXISTING DETERIORATED WOOD STAIR. STAIR CONFIGURATION, TREAD DEPTH AND RISER HEIGHT TO MATCH EXISTING (AN EXISTING NON-COMPLYING CONDITION). PROVIDE 42" HIGH STEEL GUARDRAIL AT OPEN SIDES OF STAIR. GUARDRAIL IS DELEGATED DESIGN. PROVIDE SHOP DRAWINGS FOR STAIR AND RAILINGS. SEE STRUCT DWGS.
- EXISTING STEEL / WOOD POST AND BEAM JOIST REINFORCEMENT TO REMAIN. UNO. EVALUATE CONDITION. REPAIR AS REQUIRED. SEE STRUCTURAL DRAWINGS FOR ADDITIONAL INFO.
- WOOD RAMP, 1:12 MAXIMUM SLOPE. OVER-FRAMED ATOP NEW LOWERED FLOOR STRUCTURE. 36" MIN CLEAR WIDTH BETWEEN HANDRAILS. SEE STRUCTURAL DRAWINGS.
- FLOOR STRUCTURE AT ENTRY TO BE LOWERED TO ACCOMMODATE NEW ACCESSIBLE ENTRANCE. COORDINATE NEW LOWERED FLOOR ELEVATION W/ EXTERIOR GRADE SO THAT INTERIOR FINISHED

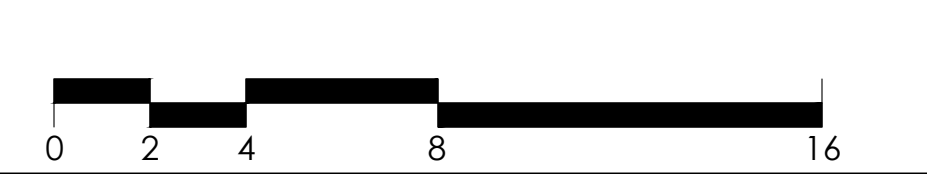
- FLOOR ALIGN W/ EXTERIOR GRADE AT EXTERIOR DOOR THRESHOLD. SEE DEMO PLANS, STRUCT DWGS. AND CIVIL DWGS.
- EXISTING FIRE ESCAPE TO REMAIN. CLEAN. REPAIR. PAINT. REPAIRS TO FIRE ESCAPE AND CITY OF CINCINNATI F.E. INSPECTION UNDER SEPARATE PERMIT AND DELEGATED DESIGN - NOTED FOR REFERENCE ONLY.
- USPS/AIA/ANSI APPROVED MAILBOXES, SURFACE-MOUNTED OR RECESSED. SEE PLAN, SURFACE MOUNTED - 48" VERTICAL MAILBOXES, RECESSED - 48" HORIZONTAL MAILBOXES FOR ACCESSIBLE UNITS AND COMMERCIAL SPACES SHALL BE REACHABLE W/ IN 48" AFF. COORDINATE QUANTITIES AND ARRANGEMENT IN FIELD WITH ARCHITECT AND OWNER.
- NEW STACKED CLOTHES WASHER AND DRYER. SEE APPLIANCE SCHEDULE. PROVIDE PLUMBED WASHER PAN. REFER TO MEP DWGS FOR EXHAUST, PLUMBING, AND ELECTRICAL REQS.
- PRE-FINISHED ALUMINUM DOWNPOUT. COLOR TBD. PROVIDE NEW PVC BOOT AT GRADE. PAINT TO BLEND WITH EXISTING MASONRY WALL. SCOPE EXISTING STORM LINES TO ENSURE WORKING CONDITION. REPAIR AS REQ'D. SEE PLUMBING DWGS FOR ADDITIONAL INFO.
- EXISTING CMU WALL INFILL AND PREVIOUSLY FIELD BASEMENT ENCROACHMENT BELOW SIDEWALK TO REMAIN. VERIFY IN FIELD DURING SIDEWALK REPLACEMENT THAT EXISTING BACKFILL CONFORMS TO DOTE REQUIREMENTS. CONTACT ARCHITECT IF EXISTING CONDITIONS ARE FOUND TO DEVIATE FROM DOTE REQUIREMENTS.
- EXISTING BA WINDOW ABOVE. EVALUATE JOIST FRAMING, CLADDING AND TRIM AT UNDERSIDE. REPAIR AS REQUIRED. FILL JOIST CAVITY WITH BATT INSULATION, AND PROVIDE "SMART VAPOR BARRIER" AT UNDERSIDE OF JOISTS. REINSTALL SALVAGED CLADDING AND TRIM OR REPLACE IN KIND WITH NEW. IF STRUCTURE IS FOUND TO BE COMPROMISED, CONTACT ARCHITECT AND STRUCTURAL ENGINEER.
- 20" X 30" LOCKABLE SELF-CLOSING ACCESS PANEL TO CONCEALED SPACE. FIRE-RATED, WHERE OCCURS IN RATED WALL/CEILING. FIRE RATINGS IS TO MATCH FIRE-RATING OF RATED ASSEMBLY. GALVANIZED METAL TO PREVENT CORROSION IN BASEMENT. INSTALL PER MFR'S REQUIREMENTS.
- STACKED HVAC UNIT AND WATER HEATER. SEE MEP DRAWINGS. PROVIDE BLOCKING AS REQ'D.
- SURFACE-MOUNTED INTERCOM WITH REMOTE DOOR RELEASE SYSTEM. DELEGATED DESIGN. COORDINATE INSTALLATION AND LOCATION OF IN FIELD WITH OWNER AND ARCHITECT. COORDINATE POWER REQ'S W/ ELECTRICIAN.
- SHELF + CLOTHES HANGING ROD. IN NON-ACCESSIBLE UNITS, PROVIDE WOOD HANGING ROD @ 42" AFF. WITH PAINTED WOOD SHELF ABOVE. IN ACCESSIBLE UNITS, PROVIDE VINYL-COATED WIRE SHELF WITH HANGING ROD MOUNTED ON ADJUSTABLE HEIGHT STEEL BRACKETS @ 48" AFF. PROVIDE BLOCKING AS REQUIRED.
- ROOF HATCH ABOVE. SEE ROOF PLAN AND SPECIFICATIONS FOR ADDITIONAL INFORMATION.
- NEW WOOD POST AND BEAM JOIST SUPPORT. 2-HOUR FIRE-RATED WHERE OCCURS AT SUPPORTING CONSTRUCTION BENEATH 2-HR STAIR ENCLOSURE OR 2-HR FLOOR/CEILING ASSEMBLY ABOVE. SEE DETAILS 3 AND 4/A0.3.0. REFER TO STRUCTURAL DWGS.
- ALIGN EXTERIOR AND INTERIOR FINISHED FLOOR ELEVATIONS AT DOOR THRESHOLD. COORDINATE EXACT ELEVATIONS IN FIELD. SEE CIVIL AND STRUCTURAL DRAWINGS. SLOPE EXTERIOR GRADE AWAY FROM DOOR THRESHOLD 1/4" PER FOOT TO SHEET WATER.
- LINE OF LOWERED GYPSUM BD. CEILING FACE OF SOFFIT ABOVE. TYPICAL DROP FOR MEP ROUTING IS 18" FROM HIGH CEILING, UNLESS NOTED OTHERWISE ON PLAN. ABOVE KITCHEN WALL CABINETS, PROVIDE 1" DEEP LOWERED CEILING TO TOP OF WALL CABINETS, U.N.O. SEE CEILING HEIGHTS ON PLAN FOR ADDITIONAL INFO.
- EQUALLY SPACED PAINTED WOOD SHELVES, 3/4" BIRCH PLYWOOD W/ 1/2" EDGE TRIM.
- INFILL EXISTING OPENING IN FLOOR STRUCTURE WITH NEW FRAMING TO MATCH EXISTING. NEW FINISHED FLOOR AT AREA OF FLOOR INFILL TO BE FLUSH WITH ADJACENT FINISHED FLOOR. SEE STRUCTURAL DWGS.
- ROOM SANITARY PLUMBING FROM 2ND FLOOR HORIZONTALLY THROUGH FIRE-RATED FLOOR/CEILING ASSEMBLY WITHOUT ENTERING FIRE-RATED STAIR ENCLOSURE. CONTACT ARCHITECT IF PROPOSED ROUTING IS NOT FEASIBLE. SEE PLUMBING DRAWINGS.
- 1/22 VINE LINEN 11X12 ONLY. KITCHEN WALL CABINET HEIGHT VARIES AT 7'-7" SOFFIT CONDITION AT SLOPED CEILING. REFER TO AS SHEET SERIES FOR INTERIOR ELEVATIONS AND MODIFY WALL CABINET HEIGHT AS REQUIRED FOR DECREASED SOFFIT HEIGHT. MAINTAIN TYPICAL BACKSPLASH HEIGHT ABOVE COUNTER.
- NEW CONCRETE STAIR AT EXTERIOR ENTRY. 1 1/2" TREADS, EQUAL HEIGHT RISERS (7" MAX). SEE STRUCTURAL DWGS. FOR ADDITIONAL INFO AND REINFORCING.
- NEW CONCRETE STAIR AT BASEMENT. 1 1/2" TREADS, EQUAL HEIGHT RISERS (7" MAX). SEE STRUCTURAL DWGS. FOR ADDITIONAL INFO AND REINFORCING.
- NEW STEEL COLUMN. SEE STRUCTURAL DRAWINGS.
- SIDE-BY-SIDE WASHER/DRYER. SEE APPLIANCE SCHEDULE. IN ORDER TO MEET ACCESSIBILITY REQUIREMENTS, A 4" RISER/FREELIFT FROM MANUFACTURER MAY BE REQUIRED. PROVIDE PLUMBED WASHER PAN. REFER TO MEP DWGS FOR EXHAUST, PLUMBING, AND ELECTRICAL REQS.
- EACH - COMMERCIAL FRONT-LOADING WASHERS AND DRYERS IN COMMUNAL LAUNDRY ROOM.
- LOCATION OF INTERNAL ROOF DRAIN LEADER. EVALUATE CONDITION OF LEADER AND STORM CONNECTION. SCOPE EXISTING BELOW-GRADE STORM LINES. REPAIR/REPLACE AS REQUIRED. SEE PLUMBING DRAWINGS.

- EXISTING STONE STEPS(S) TO REMAIN.
- EQUALLY SPACED, VINYL-COATED WIRE SHELVES ON WALL-MOUNTED ADJUSTABLE STEEL BRACKETS. PROVIDE BLOCKING AS REQUIRED.
- LOCATION OF WALL-MOUNTED DOOR OPERATOR BUTTON FOR SECURITY GATE @ 48" MAX AFF. DOOR OPERATOR IS TIED TO REMOTE ACCESS CONTROL SYSTEM. COORDINATE EXACT LOCATION IN FIELD W/ OWNER AND ARCHITECT. COORDINATE ELECTRICAL POWER AS REQUIRED.
- 48" HIGH ALUMINUM PICKET FENCE WITH LOCKABLE GATE. COORDINATE EXACT LOCATION IN FIELD AND WITH ADJACENT PROPERTY OWNER TO AVOID OBSTRUCTING WINDOWS, INCLUDING WINDOWS OF THE ADJACENT BUILDING. SEE CIVIL DRAWINGS.
- EXISTING CONCRETE RAMP AT ADJACENT BUILDING TO REMAIN - SHOWN FOR REFERENCE. PROTECT DURING CONSTRUCTION. GC SHALL COORDINATE WORK IN SHARED PASSAGEWAY WITH ADJACENT PROPERTY OWNER.
- HVAC CHASE FROM BASEMENT TO 1ST FLOOR. SEE MEP DRAWINGS. SEE STRUCTURAL DWGS FOR OPENING.
- MODIFY EXISTING FIRE ESCAPE LADDERS AS REQUIRED TO ACCOMMODATE NEW SLAB ELEVATION, CLEAN AND PAINT. GC IS RESPONSIBLE FOR FIRE ESCAPE INSPECTION AND REPAIRS PER CITY OF CINCINNATI (DEFERABLE PERMIT).
- FUTURE HOOD EXHAUST AND MAKE-UP AIR FOR 1ST FLOOR COMMERCIAL SPACE. UNDER SEPARATE PERMIT - SHOWN FOR REFERENCE ONLY. SEE MEP AND STRUCTURAL DRAWINGS FOR ADDITIONAL REFERENCE INFORMATION.
- NEW 1" AND TYPE 'A' MOBILITY UNITS. PROVIDE ACCESSIBLE SHK BASE w/ REMOVABLE FRONT. MIN. 30" WIDE CLEAR OPEN SPACE AT SHKS WITH ANSI A117.1-COMPLIANT KNEE AND TOE CLEARANCE. FLOOR FINISH AND WALL FINISH TO EXTEND UNDER AND BEHIND CABINETS. 34" MAX. COUNTER HEIGHT, TYP. SEE INTERIOR ELEVATIONS AND PLUMBING DRAWINGS FOR ADDITIONAL REQS.
- KITCHEN WORK SURFACE. IN ANSIS TYPE 'A' MOBILITY UNITS, PROVIDE COUNTERTOP WORK SURFACE IN KITCHEN W/ 30" WIDE CLEAR FLOOR SPACE. PROVIDE FINISHED END PANELS @ EXPOSED SIDES, 34" MAX. COUNTER HEIGHT, TYP. FLOOR FINISH AND WALL FINISH TO EXTEND UNDER & BEHIND CABINETS. SEE INTERIOR ELEVATIONS ON SHEET A8.0.
- LINE OF EXTERIOR MASONRY WALL ABOVE. SHOWN FOR REFERENCE. SUPPORTING CONSTRUCTION IS TO BE 2-HR RATED, AND INDIVIDUALLY ENCASED. STEEL BEAMS ASSUMED - SEE DETAIL 1/A0.3.0 FOR RATING. CONTACT ARCHITECT IF EXISTING CONDITIONS VARY FROM THESE ASSUMPTIONS.
- CONCRETE SLOPE WITHIN DOOR CLEARANCE AREA TO BE 1/4" PER FOOT TO DRAIN WATER. SEE CIVIL DRAWINGS FOR ADDITIONAL GRADING INFORMATION.
- INFILL INFILL w/ STUCCO FINISH TO REMAIN. EVALUATE CONDITION IN FIELD. REPAIR AS REQ'D TO MATCH EXISTING CONSTRUCTION. PAINT, AT INTERIOR. FUR OUT WALL WITHIN OPENING TO ALIGN WITH ADJACENT SURFACE. PAINT.
- 2-HR FIRE-RATED STEEL BEAM ABOVE. PROVIDE SFRM PER DETAIL 3/A0.3.0.
- USPS/AIA/ANSI APPROVED RESIDENTIAL STYLE EXTERIOR GRADE SURFACE-MOUNTED LOCKABLE MAILBOX, MOUNT 30" KEY IS 48" MAX ABOVE GRADE. COORDINATE QUANTITIES AND ARRANGEMENT IN FIELD WITH ARCHITECT AND OWNER.
- EXISTING MASONRY SITE PARTY WALL TO REMAIN. PROVIDE NEW ALUMINUM COPING. SEE SPECIFICATIONS.
- NEW FLOOR DRAIN. REFER TO PLUMBING DRAWINGS FOR ADDITIONAL INFORMATION AND FOR ADDITIONAL FLOOR DRAIN LOCATIONS NOT ILLUSTRATED ON THESE PLANS.
- NEW OF EXISTING CURBS. SEE EXTERIOR ELEVATIONS AND STRUCTURAL DWGS.
- EXISTING 1-HR FIRE-RATED WALL LUL 340 TO REMAIN. CONTRACTOR TO VERIFY THAT EXISTING FINDINGS IN THE FIELD AND NECESSARY REPAIRS / MODIFICATIONS (WHERE REQUIRED) ALIGN WITH THE UL LISTING.
- EXISTING 1-HR FIRE-RATED WALL (GA FILE NO. WP 1072) TO REMAIN. CONTRACTOR TO VERIFY THAT EXISTING FINDINGS IN THE FIELD AND NECESSARY REPAIRS (WHERE REQUIRED) ALIGN WITH THE UL LISTING AND THAT EXIST. WALL IS CONTINUOUS TO UNDERSIDE FLOOR SHEATHING ABOVE.
- NEW HVAC UNIT SERVING COMMERCIAL SPACE ABOVE. REFER TO MEP DWGS.
- NEW WATER HEATER. REFER TO MEP DWGS.
- INFILL HISTORIC DOOR OPENING PER WALL TYPE SHOWN ON PLAN. PROVIDE PRIMED AND PAINTED DOOR TRIM (SALVAGED OR NEW TO MATCH ADJACENT STAIRWALL DOORS) AT STAIRWALL SIDE ONLY TO SHOW OUTLINE OF PREVIOUS DOOR LOCATION.
- NEW CONCRETE FOOTING AT NEW STRUCTURE. FOOTING TO BE FLUSH WITH EXISTING FLOOR SLAB. TYP. COORDINATE EXACT LOCATION IN FIELD. SEE STRUCTURAL DRAWINGS FOR ADDITIONAL INFORMATION.
- WITHIN EXIST. SLOPED CEILING PORTION OF BUILDING, HOLD NEW SOFFITS / DROPPED CLGS AS HIGH AS POSSIBLE (7'-0" MIN. CLR. HEIGHT), DROPPED CEILINGS TO BE FLAT (NOT SLOPED). REFER TO MEP DWGS.
- CENTERLINE OF NEW LINTEL / BEAM ABOVE. SEE STRUCTURAL DRAWINGS.
- NEW WOOD POST AND BEAM (ABOVE). SEE STRUCTURAL DRAWINGS.
- LOW WALL W/ PAINTED 1" THICK WOOD CAP TO CONCEAL PLUMBING. MATCH HEIGHT OF STOREFRONT WALL SILL. KEEP TO MINIMUM SEE (COORD. IN FIELD).

2-HOUR FIRE-RATED FLOOR/CEILING ASSEMBLY ABOVE. SEE 3/A0.3. UNPAINTED FLOOR/CEILING ASSEMBLY ABOVE. NO GYPSUM BOARD - EXPOSED JOISTS (EXCEPT WHERE FIRE-RATED CEILING IS INDICATED)



Basement New Work Plan
1/4" = 1'-0"



NOT FOR CONSTRUCTION

CITYSTUDIOS ARCHITECTURE
1148 Main Street
Cincinnati, OH 45202
Ph: 513.621.0750
citystudiosarch.com

advantage
STRUCTURAL ENGINEERS
1527 Madison Road
Cincinnati, OH 45206
513.396.8900
www.advantageee.com

VIX & VIOX
Civil Engineering, Construction and Landmark Archaeology
4550 Blue Sky Drive
Cincinnati, OH 45242
www.vixandviox.com

PE Services
Professional Engineering
9 North Broadway
Lebanon, OH 45046
513-836-3810

3CDC
CINCINNATI CENTER CITY PLANNING CORPORATION

ISSUE LOG:
04.02.2023
ISSUE FOR PERMIT
07.14.2023
PERMIT REVISION 1
09.21.2023
OHFA PRELIM. SUBMISSION

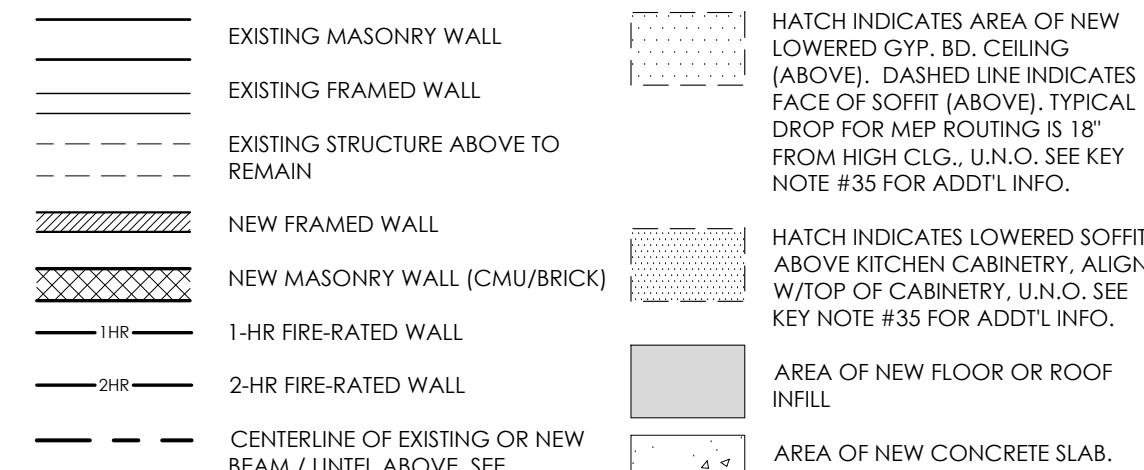
BASEMENT
NEW WORK PLAN

A3.0

PRELIMINARY:
NOT FOR CONSTRUCTION

RUSS ALLEY
1623 - 1625 VINE STREET, 1624 REPUBLIC STREET
(1625 VINE HPTC APPLICATION)
CINCINNATI, OH 45202

NEW WORK PLAN GRAPHIC KEY



NEW WORK PLAN GENERAL NOTES

- 1. DO NOT SCALE DRAWINGS. REFER TO DIMENSIONS AND NOTES.
2. DIMENSIONS ARE TO NEW FINISH FACE OR EXISTING FINISH. U.I.O. NEW MASONRY WALLS AND MASONRY OPENINGS ARE DIMENSIONED TO MASONRY.

HISTORIC KEYNOTES

- 1. REFERS TO DOOR AND WINDOW TAGS ON NEW WORK PLANS AND TO DOOR AND WINDOW SCHEDULES ON SHEETS A0.4 AND A0.5 FOR DETAILED SCORE OF WORK AT HISTORIC DOOR AND WINDOW OPENINGS.
2. IF NOTE OCCURS AT CENTER OF ROOM, NOTE APPLIES TO ALL WALLS, U.I.O.

NEW WORK PLAN KEYNOTES

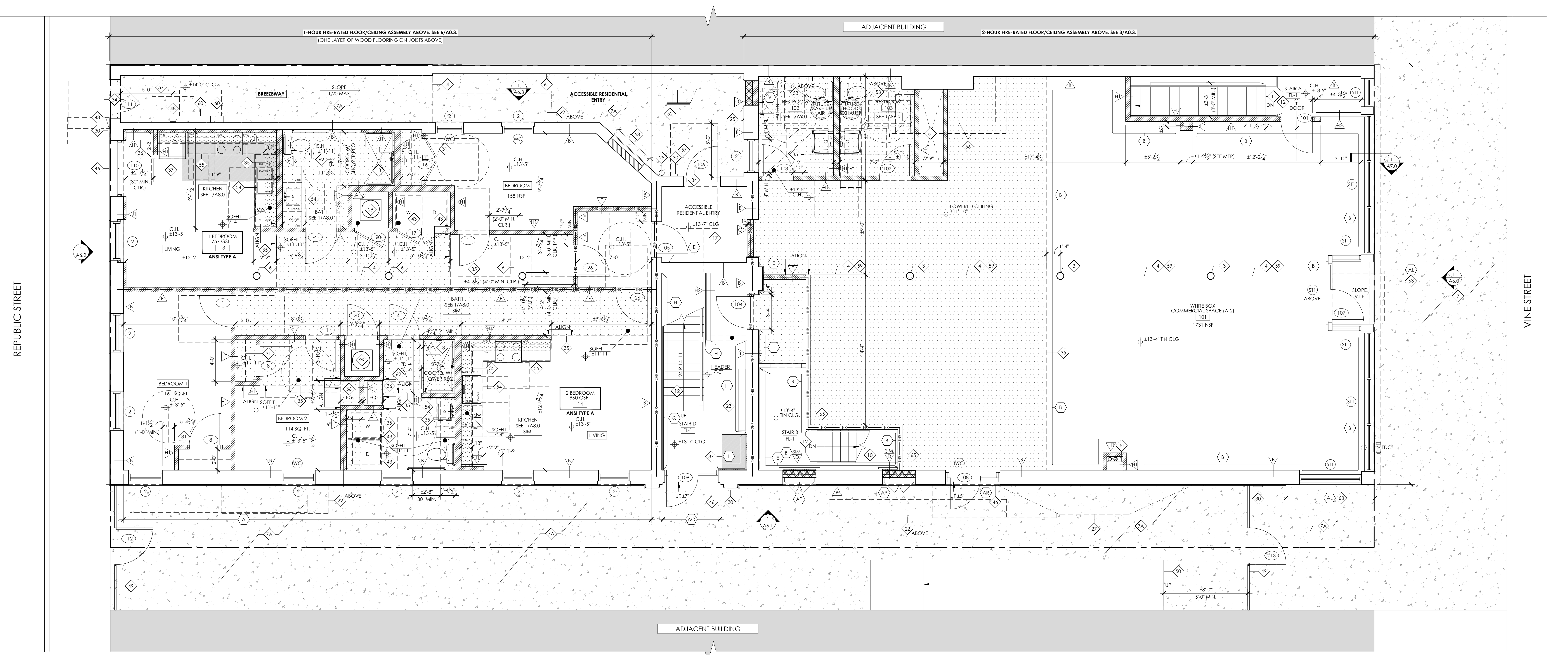
- 1. EXISTING CONCRETE SLAB TO REMAIN. VIBES AREAS OF SEVERE DAMAGE AND REPAIR TO MATCH EXISTING. PATCH AS REQUIRED FOLLOWING INSTALLATION OF NEW UNDER-SLAB PLUMBING (NOT SHOWN) - SEE PLUMBING DWGS.
2. INTERIOR CONCRETE SLAB ON GRADE. PROVIDE VAPOR RETARDER. SEE STRUCTURAL DRAWINGS FOR ADDITIONAL INFO.

FLOOR ALIGNS W/ EXTERIOR GRADE AT EXTERIOR DOOR THRESHOLD. SEE DEMO PLANS, STRUCT DWGS, AND CIVIL DWGS.

- 22. EXISTING FIRE ESCAPE TO REMAIN. CLEAN, REPAIR, PAINT. REPAIRS TO FIRE ESCAPE AND CITY OF CINCINNATI E.E. INSPECTION UNDER SEPARATE PERMIT AND DELEGATED DESIGN - NOTED FOR REFERENCE ONLY.
23. UPSP/ADA/ANSI-APPROVED MAILBOXES, SURFACE-MOUNTED OR RECESSED. SEE PLAN, SURFACE MOUNTED = 48" VERTICAL MAILBOXES, RECESSED = 48" HORIZONTAL. MAILBOXES FOR ACCESSIBLE UNITS AND COMMERCIAL SPACES SHALL BE REACHABLE W/ IN 48" AFF. COORDINATE QUANTITIES AND ARRANGEMENT IN FIELD WITH ARCHITECT AND OWNER.

EXISTING STONE STEPS TO REMAIN.

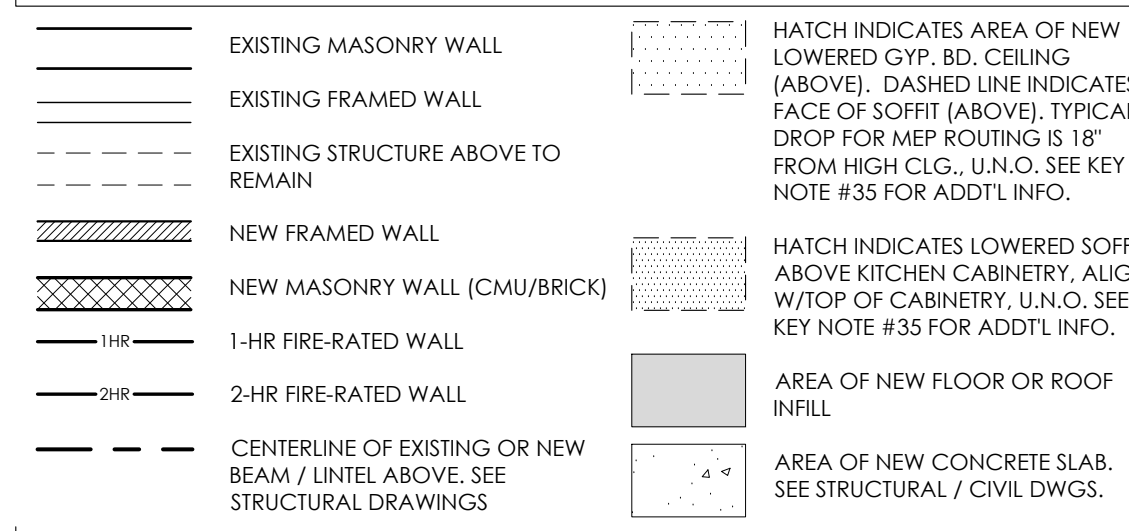
- 46. EXISTING STONE STEPS TO REMAIN.
47. (S) EQUALLY SPACED, VINYL-COATED WIRE SHELVES ON WALL-MOUNTED ADJUSTABLE STEEL BRACKETS. PROVIDE BLOCKING AS REQUIRED.
48. LOCATION OF WALL-MOUNTED DOOR OPERATOR BUTTON FOR SECURITY GATE @ 48" MAX AFF. DOOR OPERATOR IS TO BE REMOVED ACCESS CONTROL SYSTEM. COORDINATE EXACT LOCATION IN FIELD W/ OWNER AND ARCHITECT. COORDINATE ELECTRICAL POWER AS REQUIRED.



FIRST FLOOR NEW WORK PLAN
A3.1 1/4" = 1'-0"

NOT FOR CONSTRUCTION
CITY STUDIOS ARCHITECTURE
1148 Main Street Cincinnati, OH 45202
advantage
1527 Madison Road Cincinnati, OH 45206
VIOR&VIOR
PE Services
RUSS ALLEY
1623-1625 VINE STREET, 1624 REPUBLIC STREET
(1625 VINE HPTC APPLICATION)
CINCINNATI, OH 45202
FIRST FLOOR NEW WORK PLAN
A3.1
PRELIMINARY: NOT FOR CONSTRUCTION

NEW WORK PLAN GRAPHIC KEY



NEW WORK PLAN GENERAL NOTES

- 1. DO NOT SCALE DRAWINGS. REFER TO DIMENSIONS AND NOTES.
2. DIMENSIONS ARE TO NEW FINISH FACE OR EXISTING FINISH. U.N.O. NEW MASONRY WALLS AND MASONRY OPENINGS ARE DIMENSIONED TO MASONRY.
- EXISTING FRAMED WALLS AT 1629 VINE ST. ARE DIMENSIONED TO FACE OF STUD.
3. SEE AED, A81, & A82 FOR TYPICAL KITCHEN AND BATHROOM ENLARGED PLANS AND ELEVATIONS.
4. LOAD BEARING WALLS, COLUMNS, BEAMS, AND STRUCTURAL ELEMENTS TO REMAIN. U.N.O.
5. PATCH AND REPAIR ALL SURFACES TO MATCH EXISTING ADJACENT CONSTRUCTION AT AREA OF DEMOLITION AND NEW CONSTRUCTION.
6. CLEAN BRICK AND STONE MASONRY PER SPECIFICATIONS. PROVIDE TEST AREA FOR REVIEW.
7. REPLACE ALL MISSING, CRACKED, ERODED, OR SPALLED BRICKS WITH SALVAGED HISTORIC BRICKS OR NEW BRICKS TO MATCH HISTORIC BRICKS. EXERCISE CARE SO AS NOT TO DAMAGE ADJACENT HISTORIC BRICKS TO REMAIN. REPOINT ALL MISSING, DETERIORATED, OR SOFT MORTAR JOINTS IN ALL MASONRY. REFER TO REPOINT ELEVATIONS AND SPECIFICATIONS FOR ADDITIONAL INFORMATION.
8. REPLACE CRACKED STONE LINTELS AND SILLS TO MATCH EXISTING.
9. UNPAINTED EXTERIOR MASONRY IS TO REMAIN UNPAINTED. PAINTED EXTERIOR MASONRY IS TO BE REPAINTED. COLOR TBD BY ARCHITECT.
10. NEW DOORS IN STUD WALLS LOCATED IN CORNERS ARE NOT DIMENSIONED ON PLANS. INSTALL NEW DOOR 4" FROM END WALL TO INSIDE OF FINISH. U.N.O.
11. NEW GLOSET DOORS ARE TO BE CENTERED ON GLOSET. U.N.O.
12. PROVIDE LOCKING AS REQUIRED IN WALLS FOR NEW PARTITIONS, FIXTURES, SHELVING, CABINETS, BATHROOM ACCESSORIES, ETC.
13. ALL EXISTING OPENINGS WHERE NEW DOORS ARE TO BE LOCATED ARE TO BE FIELD VERIFIED. ALL OPENINGS MUST BE ASSUMED TO BE UNIQUE.
14. AT NEW AND MODIFIED MASONRY OPENINGS, WHERE MASONRY IS EXPOSED, TOOTH-OUT AND KEY-IN MATCHING BRICK. PROVIDE SALVAGED/NEW BRICKS TO MATCH EXISTING.
15. PROVIDE P.T. WOOD SILL PLATE AT WOOD STUD WALLS IN CONTACT CONC. OR MASONRY.
16. SEE MEP DRAWINGS FOR LOCATIONS OF ROOF PENETRATIONS. PROVIDE PENETRATION FLASHING PER ROOFING MFRS REQUIREMENTS AND RECOMMENDATIONS.
17. CEILING HEIGHTS INDICATED ON PLANS ARE FROM FINISH FLOOR TO FINISH CEILING. COORDINATE WITH MEP ROUTING. CONTACT ARCHITECT FOR DISCREPANCIES.
18. PROVIDE FIRELOCKING ON ALL NEW ASSEMBLIES PER SECTION 7182.0 BC.
19. THROUGH PENETRATIONS OF FLOOR/CILING ASSEMBLIES AND WALL ASSEMBLIES INDICATED TO BE FIRE RATED SHALL BE PROTECTED PER PER SECTIONS 714.3.1 & 714.4.1 OBC.
20. SEE STRUCT. DWGS. FOR TYPICAL JOIST REPAIR AND REINFORCING DETAILS FOR DAMAGED JOISTS DISCOVERED IN THE FIELD AND FOR MODIFICATIONS TO EXISTING JOISTS. VERIFY SCOPE IN FIELD.
21. DIMENSIONS @ TUBS & SHOWERS SHOWN FOR REFERENCE AND MUST BE COORDINATED w/ FIXTURE MFR. INSTALLATION INSTRUCTIONS AND WALL FINISH INSTALLATION.
22. PROVIDE RADON MITIGATION SYSTEM IN ACCORDANCE WITH OMA AND ECCG (GREEN STANDARD) REQUIREMENTS. RADON MITIGATION SYSTEM IS DELEGATED DESIGN. BY GC. ALL RADON PIPING ABOVE BASEMENT IS TO BE CONCEALED BEHIND FINISHES. PROVIDE ELECTRICAL POWER TO THE ATTIC OR ROOF AS REQ'D FOR FUTURE FANS IN CASE TESTING DETERMINES THAT AN ACTIVE SYSTEM IS REQUIRED.
23. REPLACE DETERIORATED OR MISSING SUBROOF WHERE OCCURS. USE SCOPE OF REPLACEMENT.
24. REPLACE DETERIORATED OR MISSING ROOF SHEATHING WHERE OCCURS. USE SCOPE OF REPLACEMENT. NEW ROOF SHEATHING w/ IN 4" OF AN INTERIOR LOU-UNDER-SLAB BE F.R.T. WOOD.
25. PATCH EXISTING CONCRETE SLABS FLUSH AS REQUIRED AT LOCATIONS OF LINE-UP-SLAB PLUMBING (NOT SHOWN ON DRAWINGS).
26. ALL OF THE EXISTING TO REMAIN CONSTRUCTION MUST BE REVIEWED IN THE FIELD, AND IN SOME CASES, SUB-STANDARD CONSTRUCTION MUST BE RECTIFIED. INCORPORATE ALL FINDINGS INTO NEW WORK PLANS.
27. EXISTING HISTORIC WINDOW AND ALL ASSOCIATED WINDOW COMPONENTS TO REMAIN. REPAIR TO AN OPERABLE CONDITION - PAINT. INSTALL NEW EXTERIOR STORM WINDOW (WHERE APPLICABLE).
28. WHERE THE DRAWINGS SHOW WORK ABUTTING OR ENCRoACHING ONTO NEIGHBORING PROPERTIES, THE GC SHALL COORDINATE WITH NEIGHBORING PROPERTY OWNERS PRIOR TO PROCEEDING WITH WORK.
29. SEE 3RD FLOOR COMMERCIAL SPACE RESTROOM ENLARGED PLANS AND ELEVATIONS.
30. EXPOSED CONDUIT INTERIOR AND EXTERIOR. EXPOSED DUCTWORK, AND EXPOSED SPRINKLER LINES SHOULD BE PAINTED TO MATCH THE SURFACE IT IS ON.

HISTORIC KEYNOTES

- REFER TO DOOR AND WINDOW TAGS ON NEW WORK PLANS AND TO DOOR AND WINDOW SCHEDULES ON SHEETS A0.4 AND A0.5 FOR DETAILED SCOPE OF WORK AT HISTORIC DOOR AND WINDOW OPENINGS.
IF NOTE OCCURS AT CENTER OF ROOM, NOTE APPLIES TO ALL WALLS, U.N.O.
A. BRICK TO REMAIN EXPOSED WHERE NO PLASTER IS PRESENT. PROVIDE MASONRY CONSOLIDATOR, PRIME AND PAINT WHERE PREVIOUSLY PAINTED.
B. REMOVE AND SALVAGE HISTORIC METAL STAMPED CEILING PANELS AND CROWN MOULDING FOR RESTORATION OVER FIRE-RATED CEILING. SEE NEW WORK PLANS FOR LOCATION OF REINSTALLED CEILING.
C. NOT USED
D. NOT USED
E. EXISTING HISTORIC WOOD BASEBOARD TO REMAIN IN PLACE. REPAIR TO MATCH EXISTING WHERE DAMAGED OR DETERIORATED AND PAINT.
F. REMOVE AND SALVAGE EXISTING HISTORIC WOOD BASEBOARD FOR RESTORATION WHERE WALL IS TO BE FURRED OUT FOR THERMAL INSULATION OR WHERE PLASTER IS TO BE REMOVED TO IMPROVE FIRE RESISTANCE RATING. (SEE WALL TYPES AND NEW WORK PLANS FOR ADDITIONAL INFORMATION). REINSTALL SALVAGED HISTORIC BASEBOARD OVER NEW GYPSUM BOARD. REPAIR, PRIME AND PAINT.
G. REMOVE EXISTING HISTORIC BASEBOARD REMNANTS.
H. HISTORIC WOOD BEADBOARD WAINSCOT AND CHAIR RAIL TO REMAIN - REPAIR AND PAINT, WHERE DETERIORATED OR MISSING PROVIDE NEW TO MATCH - PAINT.
I. REMOVE EXISTING HISTORIC WOOD BEADBOARD WAINSCOT AND CHAIR RAIL. SALVAGE FOR RELOCATION. INSTALL AT STAIRWALLS NOW EXPOSED BY SHAFT WALL DEMOLITION - SEE NEW WORK PLANS. REPAIR, PRIME, PAINT.
J. REMOVE EXISTING HISTORIC CROWN MOULDING REMNANTS.
K. EXISTING HISTORIC MANTEL AND HEARTH (WHERE OCCURS) TO REMAIN IN PLACE. CLEAN AND REPAIR AS REQ'D. PROVIDE NEW PAINT AT MANTEL WHERE PREVIOUSLY PAINTED. PROVIDE NEW STAIR AT MANTEL WHERE PREVIOUSLY STAINED.
L. HISTORIC WOOD FLOORING TO REMAIN. PATCH ALL DAMAGED, DETERIORATED, OR MISSING BOARDS. REFINISH. SEE FINISH SCHEDULE ON A0.2 FOR ADDITIONAL INFO.
M. EXISTING HISTORIC WOOD TILE FLOORS TO REMAIN IN PLACE. REPAIR AS REQ'D. SEE FINISH SCHEDULE ON A0.2.
N. EXISTING WOOD FLOORING TO BE CONCEALED BY NEW FINISH FLOORING AS INDICATED ON FINISH SCHEDULE. SEE A0.2 FOR ADDITIONAL INFO.
O. REMOVE EXISTING HISTORIC METAL FLOOR OR GRATE AND SALVAGE FOR REINSTALLATION AT EXISTING LOCATION ABOVE NEW FLOOR INFILL. GRATE SHALL BE FLUSH WITH NEW FLOORING.
P. CONTEMPORARY VINYL FLOORING AND LIAN SUBSTRATE TO BE CAREFULLY REMOVED TO EXPOSE EXISTING HISTORIC WOOD FLOORING. PATCH ALL DAMAGED, DETERIORATED, OR MISSING BOARDS. REFINISH. SEE FINISH SCHEDULE ON A0.2 FOR ADDITIONAL INFO.
Q. EXISTING HISTORIC STAIR. NEWEL POSTS, NEWEL POST CAPS, BALUSTRADES, AND HANDRAILS (WHERE OCCURS) TO REMAIN. REPAIR OR REPLACE DAMAGED / DETERIORATED / MISSING STAIR COMPONENTS TO MATCH EXIST. PAINT.
R. EXISTING HISTORIC SKYLIGHT TO REMAIN. REPAIR AND REGLAZE AS REQUIRED. SEE STRUCTURAL DWGS. HISTORIC WOOD BEADBOARD SURROUND TO REMAIN. REPAIR AS REQ'D - PAINT.
S. HISTORIC WOOD BEADBOARD SURROUND AT ABANDONED. INFILL SKYLIGHT TO REMAIN. REMOVE, SALVAGE, AND REINSTALL OR REPLACE HISTORIC BEADBOARD SURROUND AS REQ'D TO FIRE-RATE SUBROUTING BEAMS, PAINT.
* 'COMBINE LETTERS IN 'WINDOW' CATEGORY WITH NUMBERS OF 'WINDOW TRIM' CATEGORY
T. REMOVE NON-HISTORIC WINDOW. HISTORIC WOOD WEIGHT BOX AND BRICK MOULD TO REMAIN. INSTALL NEW WINDOW WITHIN WEIGHT BOX. REPLACE DETERIORATED HISTORIC WOOD BRICK MOULD TO MATCH HISTORIC PROFILE IF REQUIRED. PAINT.
U. PROVIDE NEW CUSTOM WOOD WINDOW AND BRICKMOULD TO MATCH EXISTING ADJACENT HISTORIC WINDOW. INSTALLATION TO MATCH HISTORIC WINDOW LOCATION - PAINT.
V. REMOVE NON-HISTORIC WINDOW OR INFILL (WHERE OCCURS) BACK TO HISTORIC ROUGH MASONRY OPENING, INCLUDING BLOCKING, WEIGHT BOXES, AND BRICK MOULD (WHERE PRESENT). INFILL PER NEW WORK PLANS. EXISTING EXTERIOR HEADER AND SILL TO REMAIN. REFER TO NEW WORK PLANS.
W. EXISTING HISTORIC WINDOW AND ALL ASSOCIATED WINDOW COMPONENTS TO REMAIN. REPAIR TO AN OPERABLE CONDITION - PAINT. INSTALL NEW EXTERIOR STORM WINDOW (WHERE APPLICABLE).

NEW WORK PLAN KEYNOTES

- EXISTING CONCRETE SLAB TO REMAIN. V.F. AREAS OF SEVERE DAMAGE, AND REPAIR TO MATCH EXISTING. PATCH AND PAINT. CEILING/INSTALLATION OF NEW UNDER-SLAB PLUMBING (NOT SHOWN) - SEE PLUMBING DWGS.
INTERIOR CONCRETE SLAB ON GRADE. PROVIDE VAPOR RETARDER. SEE STRUCTURAL DRAWINGS FOR ADDITIONAL INFO.
EXISTING STEEL OR CAST IRON COLUMN TO REMAIN. CLEAN AND PRIME. 2-HR FIRE-RATE. PROVIDE PRIME/EMULSION COATING. SEE DETAIL 1/A3.6. SEE STRUCTURAL DWGS.
NEW STACED CLOTHES WASHER AND DRYER. SEE APPLIANCE SCHEDULE. PROVIDE PLUMBED WASHER PAN. REFER TO MEP DWGS FOR EXHAUST, PLUMBING, AND ELECTRICAL REQ'S.
LINE OF EXISTING STRUCTURE ABOVE TO REMAIN (BEAM, HEADER, ROOF OVERHANG, ETC.) / CENTERLINE OF EXISTING BEAM ABOVE.
LINE OF EXISTING BRICK/STONE ARCHES ABOVE TO REMAIN. NEW CONCRETE PAVING OCCURS ABOVE - COORDINATE WITH CIVIL AND STRUCTURAL DRAWINGS.
EXISTING STEEL OR CAST IRON COLUMN TO REMAIN. CLEAN, PAINT.
REFACE EXISTING CONCRETE SIDEWALK, SIDEWALK AND BACKFILL BELOW (WHERE OCCURS) SHALL BE IN ACCORDANCE w/ DOT STANDARDS. SEE STRUCTURAL AND CIVIL DWGS.
PROVIDE NEW EXTERIOR CONCRETE SLAB ON GRADE. SLOPE 1/4" PER FOOT AWAY FROM BUILDINGS. SEE STRUCTURAL DRAWINGS. SEE CIVIL DRAWINGS FOR NEW GRADING, SLOPED CONCRETE WALKS, ETC. AND EXTENT OF CONCRETE CURB REPLACEMENT. SLOPED CONCRETE WALLS SHALL NOT EXCEED 1:30 SLOPE. EXISTING GRANITE CURB TO REMAIN AND TO BE SEALED WHERE INDICATED ON CIVIL DRAWINGS.
STEEL GUARDRAIL (INSIDE DWELLING UNIT) @ 36" AFF. (AT OPEN SIDED BASEMENT STAIR) @ 42" / 1" SQUARE TUBE TOP AND BOTTOM RAILS. VERTICAL STEEL POSTS @ 4' O.C. GUARD SHALL NOT ALLOW THE PASSAGE OF A 4" SPHERE. DELEGATED DESIGN - GUARDRAIL LOADING SHALL BE IN ACCORDANCE w/ DESIGN LOADS IN STRUCTURAL DRAWINGS.
INFILL EXISTING BASEMENT WINDOW WELLS STARNELL / COAL CHUTE. PROVIDE CMU WALL INFILL. FLUSH-APPLIED WATERPROOFING AND DRAINAGE/PROTECTION BOARD ON EXTERIOR SIDE OF CMU PRIOR TO INSTALLING FILL. INFILL WELL PER STRUCTURAL DRAWINGS. LOWER TOPS OF EXISTING WALLS AS REQUIRED FOR NEW EXTERIOR GRADES (V.F.) WHERE INFILL OCCURS BENEATH H.O.W. INFILL AND PAVING SHALL BE IN ACCORDANCE w/ DOT STANDARDS. SEE STRUCTURAL DWGS FOR INFILL AND REINFORCING. SEE CIVIL DRAWINGS FOR NEW EXTERIOR GRADING/PAVEMENT, WHERE OCCURS.
EXISTING WOOD FRAMED STAIRS AND LANDING TO REMAIN. REPAIR AS REQUIRED. PRIME, AND PAINT.
NEW P.T. WOOD BASEMENT STAIR TO REPLACE EXISTING DETERIORATED STAIR. 1" TREAD, 7" MAX RISER HEIGHT. EQUAL HEIGHT RISERS. 6" MIN. HEAD HEIGHT. 36" MIN. STAIR WIDTH. WALL-TO-GUARD. PROVIDE 42" HIGH STEEL GUARDRAIL AT OPEN SIDE OF STAIR. GUARDRAIL IS DELEGATED DESIGN. PROVIDE SHOP DRAWINGS FOR STAIR AND RAILINGS.
STEEL HANDRAIL, 1 1/2" DIAMETER, PAINTED. @ 36" AFF. WHERE EXISTING CONDITIONS ALLOW. EXTEND 12" HORIZONTALLY AT TOP OF STAIR AND EXTEND DIAGONALLY (1) TREAD DEPTH AT BOTTOM. RETURN HANDRAIL TO WALL AS SHOWN ON FLOOR PLAN (WHERE PLAN CONFIGURATION ALLOWS). OTHERWISE RETURN TO FLOOR. EXTERIOR HANDRAILS TO BE GALVANIZED. AT RAMPS: EXTEND HANDRAILS 12" HORIZONTALLY AT TOP AND BOTTOM OF RAMP; WHERE RAMP HANDRAIL IS NOT MOUNTED TO WALL, PROVIDE 1 1/2" DIAMETER POSTS, EQUALLY SPACED AT 4' O.C. MAX SPACING. (INSIDE RESIDENTIAL DWELLING UNIT HANDRAIL EXTENSIONS AT TOP AND BOTTOM OF STAIR NOT REQUIRED; SEE PLAN FOR HANDRAIL CONFIGURATION.)
BATHUB / SHOWER / BOLL-IN-SHOWER BASE WITH THE SURROUND. SEE PLUMBING DRAWINGS AND INTERIOR ELEVATIONS. PROVIDE GRAB BARS IN ROLL-IN SHOWERS IN ACCESSIBLE UNITS. AT FIRE-RATED WALLS AND EXTERIOR WALLS. GYPSUM BOARD MUST BE CONTIGUOUS BEHIND BATH UNITS. PRIOR TO FRAMING WALLS, VERIFY WALL FRAMING DIMENSIONS w/ BATH MFR. AND COORD. EXACT FRAMING DIMENSIONS IN FIELD. WHERE EXISTING FRAMING OCCURS, FRAMING DIMENSIONS VARY - V.F. PRIOR TO ORDERING BATHUB/SHOWER BATHS.
STRUCTURAL CONCRETE SLAB ON GALVANIZED METAL DECK TO REPLACE EXIST. SLAB ON DECK. SEE STRUCT DWGS.
EXIST. FRAMED HEADER TO BE DRAILED - ALIGN w/ ADJACENT SOFFIT FOR CONTINUOUS PLANE. SEE PLAN.
NEW WOOD STAIR INSIDE DWELLING UNIT. 10" TREAD, 7 1/2" MAX. RISER HEIGHT. PROVIDE EQUAL HT. RISERS IN EACH STAIR RUN. 4" MIN. HEAD HEIGHT. 36" MIN. STAIR WIDTH. MEASURED WALL-TO-WALL OR WALL-TO-GUARD. PROVIDE PAINTED W.D. RISER. TREAD TO MATCH WOOD FLOORING ABOVE. SEE STRUCTURAL DRAWINGS. CURB SHOP DRAWINGS.
2-HR WOOD STAIR TO REPLACE EXISTING DETERIORATED WOOD STAIR. STAIR CONFIGURATION, TREAD DEPTH AND RISER HEIGHT TO MATCH EXISTING (AN EXISTING NON-COMPLYING CONDITION) REQUIREMENTS. 4" RISER. PROVIDE 42" HIGH STEEL GUARDRAIL AT OPEN SIDE OF STAIR. GUARDRAIL IS DELEGATED DESIGN. PROVIDE SHOP DRAWINGS FOR STAIR AND RAILINGS. SEE STRUCT DWGS.
EXISTING STEEL / WOOD POST AND BEAM JOIST REINFORCEMENT TO REMAIN. UNO. EVALUATE CONDITION. REPAIR AS REQUIRED. SEE STRUCTURAL DRAWINGS FOR ADDITIONAL INFO.
WOOD RAFTER. 1:12 MAXIMUM SLOPE. OVER-FRAMED ATOP NEW LOWERED FLOOR STRUCTURE. 36" MIN CLEAR WIDTH BETWEEN HANDRAILS. SEE STRUCTURAL DRAWINGS.
FLOOR STRUCTURE AT ENTRY TO BE LOWERED TO ACCOMMODATE NEW ACCESSIBLE ENTRANCE. COORDINATE NEW LOWERED FLOOR ELEVATION w/ EXTERIOR GRADE SO THAT INTERIOR FINISHED

- FLOOR ALIGNS w/ EXTERIOR GRADE AT EXTERIOR DOOR THRESHOLD. SEE DEMO PLANS, STRUCT DWGS. AND CIVIL DWGS.
EXISTING FIRE ESCAPE TO REMAIN. CLEAN, REPAIR, PAINT. REPAIRS TO FIRE ESCAPE AND CITY OF CINCINNATI F.E. INSPECTION UNDER SEPARATE PERMIT AND DELEGATED DESIGN - NOTED FOR REFERENCE ONLY.
USPS/ADA/ANSI APPROVED MAILBOXES. SURFACE MOUNTED OR RECESSED. SEE PLAN. SURFACE MOUNTED - 48" VERTICAL MAILBOXES. RECESSED - 48" HORIZONTAL. MAILBOXES FOR ACCESSIBLE UNITS AND COMMERCIAL SPACES SHALL BE REACHABLE w/ IN 48" AFF. COORDINATE QUANTITIES AND ARRANGEMENT IN FIELD WITH ARCHITECT AND OWNER.
NEW STACED CLOTHES WASHER AND DRYER. SEE APPLIANCE SCHEDULE. PROVIDE PLUMBED WASHER PAN. REFER TO MEP DWGS FOR EXHAUST, PLUMBING, AND ELECTRICAL REQ'S.
PRE-FINISHED ALUMINUM DOWNSPOUT, COLOR TBD. PROVIDE NEW PVC BOOT AT GRADE. PAINT TO BLEND WITH EXISTING MASONRY WALL. SCOPE EXISTING STORM LINES TO ENSURE WORKING CONDITION. REPAIR AS REQ'D. SEE PLUMBING DWGS FOR ADDITIONAL INFO.
EXISTING CMU WALL INFILL AND PREVIOUSLY FILLED BASEMENT ENCROACHMENT BELOW SIDEWALK TO REMAIN. VERIFY IN FIELD DURING SIDEWALK REPLACEMENT THAT EXISTING BACKFILL CONFORMS TO DOT REQUIREMENTS. CONTACT ARCHITECT IF EXISTING CONDITIONS ARE FOUND TO DEVIATE FROM ASSUMPTIONS.
EXISTING BAY WINDOW ABOVE. EVALUATE JOIST FRAMING, CLADDING AND TRIM AT UNDERSIDE. REPAIR AS REQUIRED. FILL JOIST CAVITY WITH BATT INSULATION, AND PROVIDE SMART VAPOR BARRIER AT UNDERSIDE OF JOIST. REINSTALL SALVAGED CLADDING AND TRIM OR REPLACE IN KIND WITH NEW. IF STRUCTURE IS FOUND TO BE COMPROMISED, CONTACT ARCHITECT AND STRUCTURAL ENGINEER.
20" X30" LOCKABLE SELF-CLOSING ACCESS PANEL TO CONCEALED SPACE. FIRE-RATED, WHERE OCCURS RATED w/ CEILING. FIRE RATING IS TO MATCH FIRE-RATING OF RATED ASSEMBLY. GALVANIZED METAL TO PREVENT CORROSION IN BASEMENT. INSTALL PER MFR'S REQUIREMENTS.
STACED HVAC UNIT AND WATER HEATER. SEE MEP DRAWINGS. PROVIDE BLOCKING AS REQ'D.
SURFACE-MOUNTED INTERCOM WITH REMOTE DOOR RELEASE SYSTEM. DELEGATED DESIGN. COORDINATE INSTALLATION AND LOCATION OF IN FIELD WITH OWNER AND ARCHITECT. COORDINATE POWER REQ'S w/ ELECTRICIAN.
SHELF / CLOTHES HANGING ROD. IN NON-ACCESSIBLE UNITS. PROVIDE WOOD HANGING ROD @ 40" AFF. WITH PAINTED WOOD SHELF ABOVE IN ACCESSIBLE UNITS. PROVIDE VINYL-COATED WIRE SHELF WITH HANGING ROD MOUNTED ON ADJUSTABLE HEIGHT STEEL BRACKETS @ 48" AFF. PROVIDE BLOCKING AS REQUIRED.
ROOF HATCH ABOVE. SEE ROOF PLAN AND SPECIFICATIONS FOR ADDITIONAL INFORMATION.
NEW WOOD POST AND BEAM JOIST SUPPORT. 2-HOUR FIRE-RATED WHERE OCCURS AT SUPPORTING CONSTRUCTION BENEATH 2-HR STAIR ENCLOSURE OR 2-HR FLOOR/CEILING ASSEMBLY ABOVE. SEE DETAILS 3 AND 4/A3.3. REFER TO STRUCTURAL DWGS.
ALIGN EXTERIOR AND INTERIOR FINISHED FLOOR ELEVATIONS AT DOOR THRESHOLD. COORDINATE EXACT ELEVATIONS IN FIELD. SEE CIVIL AND STRUCTURAL DRAWINGS. SLOPE EXTERIOR GRADE AWAY FROM DOOR THRESHOLD 1/4" PER FOOT TO SHEET WATER.
LINE OF LOWERED GYPSUM BD. CEILING FACE OF SOFFIT ABOVE. TYPICAL DROP FOR MEP ROUTING IS 18" FROM HIGH CEILING. UNLESS NOTED OTHERWISE ON PLAN. ABOVE KITCHEN WALL CABINETS. PROVIDE 1" DEEP PAINTED CEILING TO TOP OF WALL CABINETS, U.N.O. SEE CEILING HEIGHTS ON PLAN FOR ADDITIONAL INFO.
EQUALLY SPACED LINED WOOD SHELVES. 3/4" BIRCH PLYWOOD w/ 1/2" EDGE TRIM.
INFILL EXISTING OPENING IN FLOOR STRUCTURE WITH NEW FRAMING TO MATCH EXISTING. NEW FINISHED FLOOR AT AREA OF FLOOR INFILL TO BE FLUSH WITH ADJACENT FINISHED FLOOR. SEE STRUCTURAL DWGS.
ROOF SANITARY PLUMBING FROM 2ND FLOOR HORIZONTALLY THROUGH FIRE-RATED FLOOR/CEILING ASSEMBLY WITHOUT ENTERING FIRE-RATED RATED STAIR ENCLOSURE. CONTACT ARCHITECT IF PROPOSED ROUTING IS NOT FEASIBLE. SEE PLUMBING DWGS.
1/2" VINE LINTELS. 11A/12 ONLY. KITCHEN WALL CABINET HEIGHT VARIES AT 7'-7" SOFFIT CONDITION AT SLOPED CEILING. REFER TO 28 SHEET SERIES FOR INTERIOR ELEVATIONS AND MOODY WALL CABINET HEIGHT AS REQUIRED FOR DECREASING SOFFIT HEIGHT. MANTLE BACKSPLASH HEIGHT ABOVE COUNTER.
NEW CONCRETE STAIR AT EXTERIOR ENTRY. 1" TREADS, EQUAL HEIGHT RISERS (7" MAX); SEE STRUCTURAL DWGS. FOR ADDITIONAL INFO AND REINFORCING.
NEW CONCRETE STAIR AT BASEMENT. 1" TREADS, EQUAL HEIGHT RISERS (7" MAX); SEE STRUCTURAL DWGS. FOR ADDITIONAL INFO AND REINFORCING.
NEW STEEL COLUMN. SEE STRUCTURAL DRAWINGS.
SIDE-BY-SIDE WASHER/DRYER. SEE APPLIANCE SCHEDULE. IN ORDER TO MEET ACCESSIBILITY REQUIREMENTS, 4" RISER. PROVIDE 42" HIGH STEEL GUARDRAIL. PROVIDE PLUMBED WASHER PAN. REFER TO MEP DWGS FOR EXHAUST, PLUMBING, AND ELECTRICAL REQ'S.
EACH - COMMERCIAL FRONT-LOADING WASHERS AND DRYERS IN COMMUNAL LAUNDRY ROOM. SEE APPLIANCE SCHEDULE. SEE MEP DRAWINGS.
LOCATION OF INTERNAL ROOF DRAIN LEADER. EVALUATE CONDITION OF LEADER AND STORM CONNECTION. SCOPE EXISTING BELOW-GRADE STORM LINES. REPAIR/REPLACE AS REQUIRED. SEE PLUMBING DRAWINGS.

NOT FOR CONSTRUCTION
CITYSTUDIOS ARCHITECTURE
1148 Main Street Cincinnati, OH 45202
Tel: 513.621.0750
citystudiosarch.com

advantage STRUCTURAL ENGINEERS
1027 Madison Road Cincinnati, OH 45206
513.396.8900
www.advantageSE.com

VIOX & VIOX ARCHITECTURE
1148 Main Street Cincinnati, OH 45202
Tel: 513.621.0750
www.vioxandviox.com

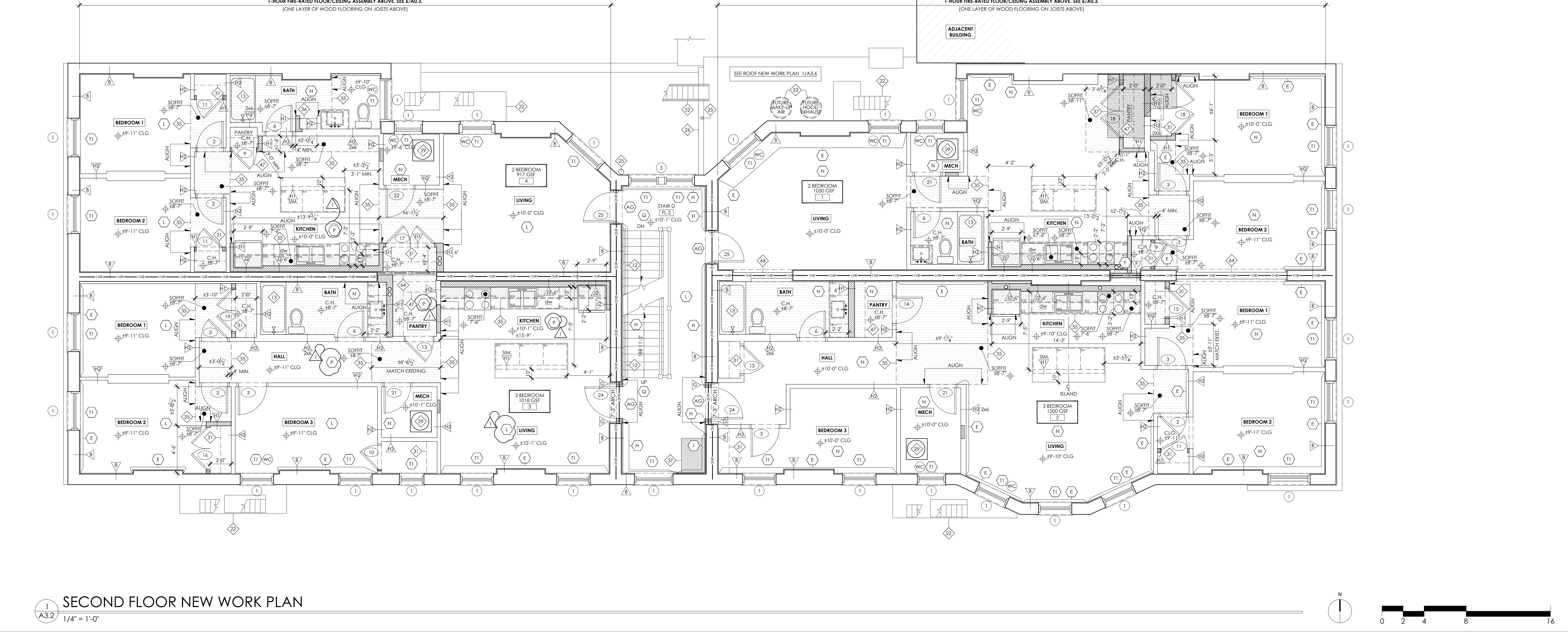
PE Service INCORPORATED
9 North Broadway Lebanon, OH 45046
513.936.3810

RUSS ALLEY
1623 - 1625 VINE STREET, 1624 REPUBLIC STREET
(1625 VINE HPTC APPLICATION)
CINCINNATI, OH 45202

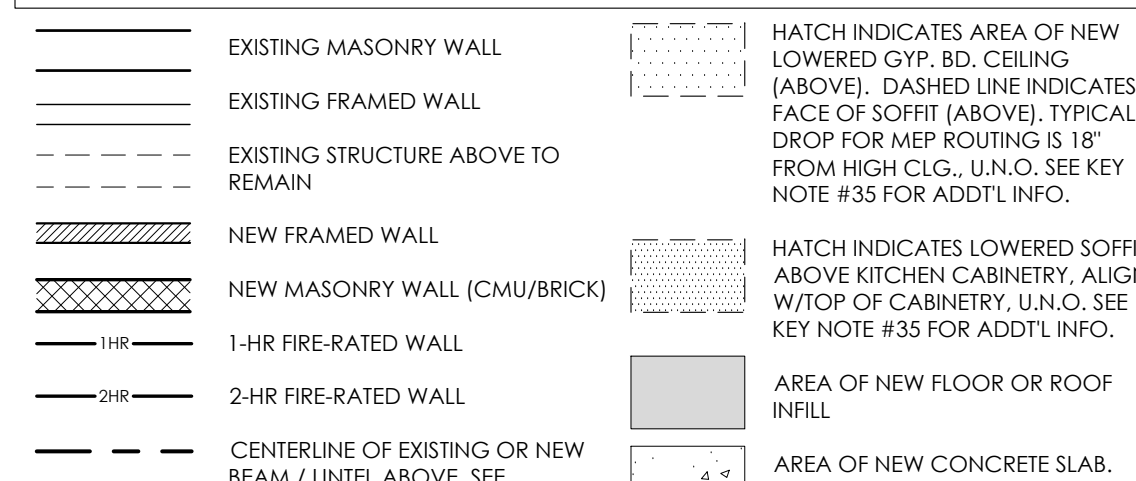
3CDC CINCINNATI CENTER CITY CORPORATION

ISSUE LOG:
06.02.2023 ISSUE FOR PERMIT
07.14.2023 PERMIT REVISION 1
09.21.2023 OHFA PRELIM. SUBMISSION

SECOND FLOOR NEW WORK PLAN
A3.2
PRELIMINARY: NOT FOR CONSTRUCTION



NEW WORK PLAN GRAPHIC KEY



NEW WORK PLAN GENERAL NOTES

- 1. DO NOT SCALE DRAWINGS. REFER TO DIMENSIONS AND NOTES.
2. DIMENSIONS ARE TO NEW FINISH FACE OR EXISTING FINISH, U.N.O. NEW MASONRY WALLS AND MASONRY OPENINGS ARE DIMENSIONED TO MASONRY.
3. EXISTING FRAMED WALLS AT 1/2" VINYL ST. ARE DIMENSIONED TO FACE OF STUD.
4. SEE A3.1, A3.2 FOR TYPICAL KITCHEN AND BATHROOM ENLARGED PLANS AND ELEVATIONS.
5. PATCH AND REPAIR ALL SURFACES TO MATCH EXISTING ADJACENT CONSTRUCTION AT AREAS OF DEMOLITION AND NEW CONSTRUCTION.
6. CLEAN BRICK AND STONE MASONRY PER SPECIFICATIONS. PROVIDE TEST AREA FOR REVIEW.
7. REPLACE ALL MISSING, CRACKED, ERODED, OR STALLED BRICKS WITH SALVAGED HISTORIC BRICKS OR NEW BRICKS TO MATCH HISTORIC BRICKS. EXERCISE CARE SO AS NOT TO DAMAGE ADJACENT HISTORIC BRICKS TO REMAIN. REPAIR ALL MISSING, DETEIORATED, OR SOFT MORTAR JOINTS IN ALL MASONRY. REFER TO EXTERIOR ELEVATIONS AND SPECIFICATIONS FOR ADDITIONAL NOTES.
8. REPLACE CRACKED STONE UNITS AND SILLS TO MATCH EXISTING.
9. UNPAINTED EXTERIOR MASONRY TO REMAIN UNPAINTED. PAINTED EXTERIOR MASONRY TO BE REPAINTED - COLOR TBD BY ARCHITECT.
10. NEW DOORS IN STUD WALLS LOCATED IN CORNERS ARE NOT DIMENSIONED ON PLANS. INSTALL NEW DOOR 4" FROM END WALL TO INSIDE OF FRAME, U.N.O.
11. NEW CLOSET DOORS ARE TO BE CENTERED ON CLOSET, U.N.O.
12. PROVIDE BLOCKING AS REQUIRED IN WALLS FOR NEW PARTITIONS, FIXTURES, SHELVING, CABINETS, BATHROOM ACCESSORIES, ETC.
13. ALL EXISTING OPENINGS WHERE NEW DOORS ARE TO BE LOCATED ARE TO BE FIELD VERIFIED. ALL OPENINGS MUST BE ASSUMED TO BE UNIQUE.
14. AT NEW AND MODIFIED MASONRY OPENINGS, WHERE MASONRY IS EXPOSED, TOOTH-OUT AND KEY-IN MATCHING BRICK. PROVIDE SALVAGED NEW BRICK TO MATCH EXISTING.
15. PROVIDE 1/2" WOOD SILL PLATE IN WOOD STUD WALLS IN CONTACT CONC. OR MASONRY.
16. SEE MEP DRAWINGS FOR LOCATIONS OF ROOF PENETRATIONS. PROVIDE PENETRATION FLASHING PER ROOFING MFPS REQUIREMENTS AND RECOMMENDATIONS.
17. CEILING HEIGHTS INDICATED ON PLANS ARE FROM FINISH FLOOR TO FINISH CEILING. COORDINATE WITH MEP ROUTING. CONTACT ARCHITECT FOR DISCREPANCIES.
18. PROVIDE FIREBLOCKING IN ALL NEW ASSEMBLIES PER SECTION 710.2 CBC.
19. THROUGH PENETRATIONS OF FLOOR / CEILING ASSEMBLIES AND WALL ASSEMBLIES INDICATED TO BE FIRE RATED SHALL BE PROTECTED PER SECTIONS 714.3.1 & 714.4.1 CBC.
20. SEE STRUCTURAL DWGS. FOR TYPICAL JOIST REPAIR AND REINFORCING DETAILS FOR DAMAGED JOISTS DISCOVERED IN THE FIELD AND FOR MODIFICATIONS TO EXISTING JOISTS. VERIFY SCOPE IN FIELD. DIMENSIONS @ TUBS & SHOWERS SHOWN FOR REFERENCE AND MUST BE COORDINATED W/ FUTURE MFR. INSTALLATION INSTRUCTIONS AND WALL FINISH INSTALLATION.
21. PROVIDE RADON MITIGATION SYSTEM IN ACCORDANCE WITH OSHA AND ECG (GREEN STANDARD) REQUIREMENTS. RADON MITIGATION SYSTEM IS DELEGATED DESIGN. BY GC. ALL RADON PRINKS ABOVE BASEMENT IS TO BE CONCEALED BEHIND FINISHES. PROVIDE ELECTRICAL POWER TO THE ATTIC OR ROOF AS READ FOR FUTURE FANS IN CASE TESTING DETERMINES THAT AN ACTIVE SYSTEM IS REQUIRED.
22. REPLACE DETEIORATED OR MISSING SUBFLOORS WHERE OCCURS, VERIFY SCOPE OF REPLACEMENT.
23. REPLACE DETEIORATED OR MISSING ROOF SHEATHING WHERE OCCURS. VERIFY SCOPE OF REPLACEMENT. NEW ROOF SHEATHING IN 4' OF AN INTERIOR JOIST SHALL BE 1" WOOD.
24. PATCH EXISTING CONCRETE SLABS FLUSH AS REQUIRED AT LOCATIONS OF UNDER-SLAB PLUMBING (NOT SHOWN ON DRAWINGS).
25. ALL OF THE EXISTING TO REMAIN CONSTRUCTION MUST BE REVIEWED IN THE FIELD, AND IN SOME CASES, SUB-STANDARD CONSTRUCTION MUST BE RECTIFIED, INCLUDING BUT NOT LIMITED TO DISCONTINUOUS RATED WALL ASSEMBLIES AND MISSING GRANTSTOPPING.
26. WHERE THE DRAWINGS SHOW WORK ABUTTING OR ENDOVERLAPPING ONTO NEIGHBORING PROPERTIES, THE GC SHALL COORDINATE WITH NEIGHBORING PROPERTY OWNERS PRIOR TO PROCEEDING WITH WORK.
27. SEE 9.0 FOR TYPICAL COMMERCIAL SPACE RESTROOM ENLARGED PLANS AND ELEVATIONS.
28. EXPOSED CONDUIT INTERIOR AND EXTERIOR, EXPOSED DUCTWORK, AND EXPOSED SPRINKLER LINES SHOULD BE PAINTED TO MATCH THE SURFACE IT IS ON.

HISTORIC KEYNOTES

- REFERS TO DOOR AND WINDOW TAGS ON NEW WORK PLANS AND TO DOOR AND WINDOW SCHEDULES ON SHEETS A3.4 AND A3.5 FOR DETAILED SCOPE OF WORK AT HISTORIC DOOR AND WINDOW OPENINGS.
• IF NOTE OCCURS AT CENTER OF ROOM, NOTE APPLIES TO ALL WALLS, U.N.O.
A. BRICK TO REMAIN EXPOSED WHERE NO PLASTER IS PRESENT. PROVIDE MASONRY CONSOLIDATOR, PRIME AND PAINT WHERE PREVIOUSLY PAINTED.
B. REMOVE AND SALVAGE HISTORIC METAL STAMPED CEILING PANELS AND CROWN MOULDING FOR REINSTALLATION OVER FIRE-RATED CEILING. SEE NEW WORK PLANS FOR LOCATION OF REINSTALLED CEILING.
C. NOT USED
D. NOT USED
E. EXISTING HISTORIC WOOD BASEBOARD TO REMAIN IN PLACE. REPAIR TO MATCH EXISTING WHERE DAMAGED OR DETEIORATED AND PAINT.
F. REMOVE AND SALVAGE EXISTING HISTORIC WOOD BASEBOARD FOR REINSTALLATION WHERE WALL IS TO BE FURLED OUT FOR THERMAL INSULATION OR WHERE PLASTER IS TO BE REMOVED TO IMPROVE FIRE RESISTANCE RATING (SEE WALL TYPES AND NEW WORK PLANS FOR ADDITIONAL INFORMATION). REINSTALL SALVAGED HISTORIC BASEBOARD OVER NEW GYPSUM BOARD. REPAIR, PRIME AND PAINT.
G. REMOVE EXISTING HISTORIC BASEBOARD REMNANTS.
H. HISTORIC WOOD BEADBOARD WANSCOT AND CHAIR RAIL TO REMAIN - REPAIR AND PAINT, WHERE DETEIORATED OR MISSING PROVIDE NEW TO MATCH - PAINT.
I. REMOVE EXISTING HISTORIC WOOD BEADBOARD WANSCOT AND CHAIR RAIL. SALVAGE FOR RELOCATION. INSTALL AT STAIRHALL WALLS NOW EXPOSED BY SHAFT WALL DEMOLITION - SEE NEW WORK PLANS. REPAIR, PRIME, PAINT.
J. REMOVE EXISTING HISTORIC CROWN MOULDING REMNANTS.
K. EXISTING HISTORIC MANTLE AND HEARTH (WHERE OCCURS) TO REMAIN IN PLACE. CLEAN AND REPAIR AS REQD. PROVIDE NEW PAINT AT MANTLE WHERE PREVIOUSLY PAINTED. PROVIDE NEW STAIN AT MANTLE WHERE PREVIOUSLY STAINED.
L. HISTORIC WOOD FLOORING TO REMAIN. PATCH ALL DAMAGED, DETEIORATED, OR MISSING BOARDS. REFINISH. SEE FINISH SCHEDULE ON A3.2 FOR ADDITIONAL INFO.
M. EXISTING HISTORIC MOSAIC TILE FLOORS TO REMAIN IN PLACE. REPAIR AS REQD. SEE FINISH SCHEDULE ON A3.2.
N. EXISTING WOOD FLOORING TO BE CONCEALED BY NEW FINISH FLOORING AS INDICATED ON FINISH SCHEDULE. SEE A3.2 FOR ADDITIONAL INFO.
O. REMOVE EXISTING HISTORIC METAL FLOOR GRATE AND SALVAGE FOR REINSTALLATION AT EXISTING LOCATION ABOVE NEW FLOOR INFILL. GRATE SHALL BE FLUSH WITH NEW FLOORING.
P. CONTEMPORARY VINYL FLOORING AND LIQUID SUBSTRATE TO BE CAREFULLY REMOVED TO EXPOSE EXISTING HISTORIC WOOD FLOORING. PATCH ALL DAMAGED, DETEIORATED, OR MISSING BOARDS. REFINISH. SEE FINISH SCHEDULE ON A3.2 FOR ADDITIONAL INFO.
Q. EXISTING HISTORIC STAIR, NEWEL POSTS, NEWEL POST CAPS, BALUSTRADES, AND HANDRAILS (WHERE OCCURS) TO REMAIN. REPAIR OR REPLACE DAMAGED / DETEIORATED / MISSING STAIR COMPONENTS TO MATCH EXIST. PAINT.
R. EXISTING HISTORIC SKYLIGHT TO REMAIN. REPAIR AND REGLAZE AS REQUIRED. SEE STRUCTURAL DWGS. HISTORIC WOOD BEADBOARD SUBROUND TO REMAIN. REPAIR AS REQD - PAINT.
S. HISTORIC WOOD BEADBOARD SUBROUND AT ABANDONED, INFILLED, SKYLIGHT TO REMAIN. REMOVE, SALVAGE, AND REINSTALL OR REPLICATE HISTORIC BEADBOARD SUBROUND AS REQD TO FIRE-RATE SURROUNDING BEAMS. PAINT.
COMBINE LETTERS IN "WINDOW" CATEGORY WITH NUMBERS OF "WINDOW TRIM" CATEGORY
T. REMOVE NON-HISTORIC WINDOW, HISTORIC WINDOW WEIGHT BOX AND BRICK MOULD TO REMAIN. INSTALL NEW WINDOW WITH WEIGHT BOX. REPLACE DETEIORATED HISTORIC WINDOW WEIGHT BOX MOULD TO MATCH HISTORIC PROFILE IF REQUIRED. PAINT.
U. PROVIDE NEW CUSTOM WOOD WINDOW AND BRICKMOULD TO MATCH EXISTING ADJACENT HISTORIC WINDOW. INSTALLATION TO MATCH HISTORIC INSTALLATION - PAINT.
V. REMOVE NON-HISTORIC WINDOW OR INFILL (WHERE OCCURS) BACK TO HISTORIC ROUGH MASONRY INFILL. REMOVE HISTORIC WINDOW WEIGHT BOX AND BRICK MOULD (WHERE PRESENT). INFILL PER NEW WORK PLANS. EXISTING EXTERIOR HEADER AND SILL TO REMAIN. REFER TO NEW WORK PLANS.
W. EXISTING HISTORIC WOOD WINDOW AND ALL ASSOCIATED WINDOW COMPONENTS TO REMAIN. REPAIR TO AN OPERABLE CONDITION - PAINT. INSTALL NEW EXTERIOR STORM WINDOW (WHERE APPLICABLE).

- X. NOT USED
REFER TO NOTES BELOW FOR TREATMENT OF INTERIOR WINDOW TRIM:
1. EXISTING HISTORIC INTERIOR WOOD WINDOW TRIM TO REMAIN IN PLACE. REPAIR TO MATCH EXISTING WHERE DAMAGED OR DETEIORATED. PAINT.
2. REMOVE AND SALVAGE HISTORIC INTERIOR WOOD WINDOW TRIM FOR REINSTALLATION. REPAIR TO MATCH EXISTING WHERE DAMAGED OR DETEIORATED. PROVIDE WOOD JAMB AND SILL ELEMENTS WHERE REQUIRED AT NEWLY BURRED WALLS. PRIME AND PAINT.
3. PROVIDE NEW WOOD WINDOW TRIM TO MATCH ADJACENT HISTORIC WINDOW TRIM. PRIME / PAINT.
4. WHERE NO EXISTING INTERIOR WINDOW TRIM IS PRESENT AT HISTORIC WINDOW OPENING, PROVIDE NEW CONTEMPORARY WOOD WINDOW TRIM. PRIME AND PAINT. SEE TYPICAL TRIM ON SHEET A3.5.
Y. EXISTING HISTORIC METAL DOOR AND FRAME TO REMAIN. REPAIR AND PAINT COMPONENTS PREVIOUSLY PAINTED.
Z. EXISTING HISTORIC SLIDING METAL DOOR AND TRACK. REMOVE AND REINSTALL IN FIXED OPEN POSITION. NEW FIRE RATED DOOR AND FRAME TO BE INSTALLED.
AA. EXISTING HISTORIC SLIDING METAL DOOR AND TRACK TO REMAIN. DOOR IS TO BE FIXED IN THE CLOSED POSITION. HISTORIC TRIM TO REMAIN ON EXPOSED SIDE ONLY. REFER TO NEW WORK PLANS. REPAIR, PRIME, AND PAINT.
AB. EXISTING HISTORIC METAL DOOR AND FRAME TO BE REMOVED. INSTALL NEW FIRE RATED DOOR AND FRAME IN EXISTING OPENING.
AC. EXISTING HISTORIC WOOD DOOR, FRAME, AND TRIM TO REMAIN. REPAIR AND PAINT.
AD. EXISTING HISTORIC WOOD DOOR AND FRAME TO REMAIN AND BE FIXED IN CLOSED POSITION. HISTORIC TRIM TO REMAIN ON EXPOSED SIDE ONLY. REFER TO NEW WORK PLANS. REPAIR, PRIME, AND PAINT.
AE. EXISTING HISTORIC WOOD DOOR OR CASED OPENING TRIM TO REMAIN. REPAIR, PRIME, AND PAINT.
AF. REMOVE HISTORIC DOOR AND FRAME. HISTORIC TRIM TO BE SALVAGED AND REINSTALLED IF WALL REMAINS AND APPLICABLE. REPAIR AND PAINT.
AG. HISTORIC WOOD DOOR TRIM TO REMAIN. SALVAGE AND REINSTALL AT NEW DOOR FRAME. REPAIR AND PAINT.
AH. REMOVE EXISTING DOOR. EXISTING FRAME AND TRIM TO REMAIN. REPAIR, PRIME, AND PAINT.
AJ. NOT USED
AK. NOT USED
AL. REMOVE EXISTING DOOR. EXISTING HISTORIC WOOD FRAME AND TRANSOM TO REMAIN. REPAIR AND PAINT. REMOVE NEW GLAZING OR PLYWOOD PANEL AT EXISTING TRANSOM AS INDICATED ON DOOR SCHEDULE. HISTORIC TRIM TO REMAIN AT STAIR SIDE ONLY. SALVAGE HISTORIC TRIM FROM UNIT SIDE FOR REINSTALLATION OVER NEW FIRE RATED FRAME, IF REQUIRED.
AM. EXISTING CAST IRON CURB TO REMAIN. REPAIR AS REQD.
AN. HISTORIC STONE AND METAL ROOF CORNICER/BANDING, BRACKETS, AND MOULDING TO REMAIN. REPAIR DETEIORATED ELEMENTS TO MATCH EXISTING. PAINT IF PREVIOUSLY PAINTED.
AO. EXISTING HISTORIC WOOD TRANSOM BAR AND WOOD BRICK MOULD TO REMAIN. REPAIR AND PAINT. EXISTING NON-HISTORIC ENTRY DOOR AND WOOD FRAMED TRANSOM INFILL TO BE REMOVED. PROVIDE NEW ALUMINUM CLAD WOOD DOOR, SIDE PANEL, AND TRANSOM WINDOW.
AP. HISTORIC WOOD SHUTTERS TO BE REMOVED AND SALVAGED FOR REINSTALLATION IN THE FIXED POSITION. REPAIR AND PAINT. REMOVE EXISTING INTERIOR FRAMING AT OPENING AND PREP FOR NEW INFILL PER NEW WORK PLANS. INTERIOR TRIM TO BE REMOVED AND SALVAGED FOR REINSTALLATION. REPAIR AND PAINT.
AQ. HISTORIC BOX GUTTER TO REMAIN. REPAIR ALL DETEIORATED ELEMENTS. PAINT. PROVIDE NEW ROOF MEMBRANE LINER AND SLOPE TO DRAIN TO NEW OR EXISTING DOWNSPOUT LOCATION.
AR. HISTORIC WOOD BRICK MOULD TO REMAIN - REMOVE EXIST. INFILL. PROVIDE NEW ALUMINUM CLAD WOOD DOOR AND TRANSOM WINDOW.
AS. HISTORIC WOOD TRANSOM, BRICK MOULD, AND INTERIOR WINDOW TRIM TO REMAIN - REPAIR AND PAINT. INSTALL NEW ALUMINUM CLAD WOOD DOOR.
AW. EXISTING CAST IRON CURB TO REMAIN. REPAIR AS REQD.
AX. HISTORIC STONE AND METAL ROOF CORNICER/BANDING, BRACKETS, AND MOULDING TO REMAIN. REPAIR DETEIORATED ELEMENTS TO MATCH EXISTING. PAINT IF PREVIOUSLY PAINTED.
AY. EXISTING HISTORIC WOOD TRANSOM BAR AND WOOD BRICK MOULD TO REMAIN. REPAIR AND PAINT. EXISTING NON-HISTORIC ENTRY DOOR AND WOOD FRAMED TRANSOM INFILL TO BE REMOVED. PROVIDE NEW ALUMINUM CLAD WOOD DOOR, SIDE PANEL, AND TRANSOM WINDOW.
AZ. HISTORIC WOOD SHUTTERS TO BE REMOVED AND SALVAGED FOR REINSTALLATION IN THE FIXED POSITION. REPAIR AND PAINT. REMOVE EXISTING INTERIOR FRAMING AT OPENING AND PREP FOR NEW INFILL PER NEW WORK PLANS. INTERIOR TRIM TO BE REMOVED AND SALVAGED FOR REINSTALLATION. REPAIR AND PAINT.
BA. EXISTING CAST IRON CURB TO REMAIN. REPAIR AS REQD.
BB. EXISTING HISTORIC SKYLIGHT TO REMAIN. REPAIR AND REGLAZE AS REQUIRED. SEE STRUCTURAL DWGS. HISTORIC WOOD BEADBOARD SUBROUND TO REMAIN. REPAIR AS REQD - PAINT.
BC. EXISTING HISTORIC SKYLIGHT TO REMAIN. REPAIR AND REGLAZE AS REQUIRED. SEE STRUCTURAL DWGS. HISTORIC WOOD BEADBOARD SUBROUND TO REMAIN. REPAIR AS REQD - PAINT.
BD. EXISTING HISTORIC SKYLIGHT TO REMAIN. REPAIR AND REGLAZE AS REQUIRED. SEE STRUCTURAL DWGS. HISTORIC WOOD BEADBOARD SUBROUND TO REMAIN. REPAIR AS REQD - PAINT.
BE. EXISTING HISTORIC SKYLIGHT TO REMAIN. REPAIR AND REGLAZE AS REQUIRED. SEE STRUCTURAL DWGS. HISTORIC WOOD BEADBOARD SUBROUND TO REMAIN. REPAIR AS REQD - PAINT.

NEW WORK PLAN KEYNOTES

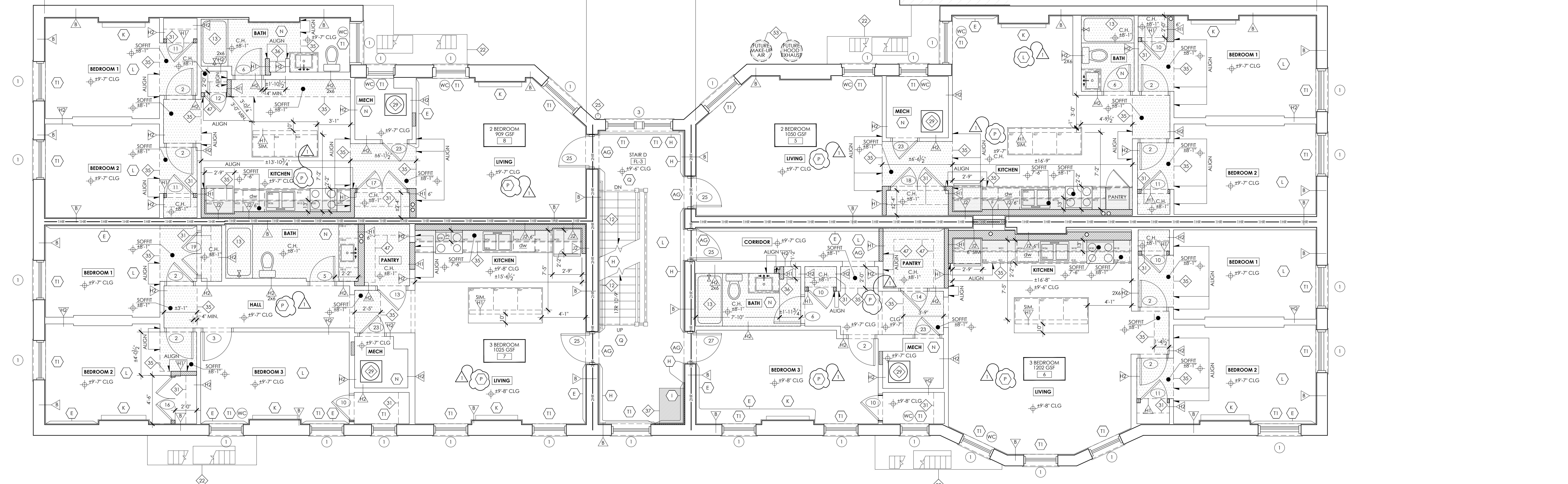
- 1. EXISTING CONCRETE SLAB TO REMAIN. VIBRE AREAS OF SEVERE DAMAGE, AND REPAIR TO MATCH EXISTING. PATCH AS REQUIRED FOLLOWING INSTALLATION OF NEW UNDER-SLAB PLUMBING (NOT SHOWN) - SEE PLUMBING DWGS.
2. INTERIOR CONCRETE SLAB ON GRADE. PROVIDE VAPOR RETARDER. SEE STRUCTURAL DRAWINGS FOR ADDITIONAL INFO.
3. EXISTING STEEL OR CAST IRON COLUMN TO REMAIN. CLEAN AND PRIME. 2-HR FIRE-RATED. PROVIDE INTUMESCENT COATING. SEE DETAIL 1/A0.3.a. SEE STRUCTURAL DWGS.
4. LINE OF EXISTING STRUCTURE ABOVE TO REMAIN (BEAM, HEADER, ROOF OVERHANG, ETC.) / CENTERLINE OF EXISTING BRICK/STONE ARCHES ABOVE TO REMAIN. NEW CONCRETE PAVING OCCURS ABOVE - COORDINATE WITH CIVIL AND STRUCTURAL DRAWINGS
5. EXISTING STEEL OR CAST IRON COLUMN TO REMAIN. CLEAN, PAINT.
6. REPLACE EXISTING CONCRETE SIDEWALK, SIDEWALK AND BACKFILL BELOW (WHERE OCCURS) SHALL BE IN ACCORDANCE W/ DOT STANDARDS. SEE STRUCTURAL AND CIVIL DWGS.
7. PROVIDE NEW EXTERIOR CONCRETE SLAB ON GRADE. SLOPE 1/2" PER FOOT AWAY FROM BUILDINGS. SEE STRUCTURAL DRAWINGS FOR NEW GRADING. SLOPE CONCRETE WALLS, ETC. AND EXTENT OF CONCRETE CURBS REPLACEMENT. SLOPE CONCRETE WALKS SHALL NOT EXCEED 1:20 SLOPE. EXISTING GRANITE CURBS TO REMAIN AND TO BE RAISED WHERE INDICATED ON CIVIL DRAWINGS.
8. STEEL GUARDRAIL (INSIDE DWELLING UNIT) @ 36" AFF. (AT OPEN-ENDED BASEMENT STAIR) @ 42" 1 1/2" SQUARE TUBE TOP AND BOTTOM RAILS. VERTICAL STEEL PICKETS @ 4" O.C. GUARD SHALL NOT ALLOW THE PASSAGE OF A 4" SPHERE. DELEGATED DESIGN - GUARDRAIL LOADS SHALL BE IN ACCORDANCE W/ DESIGN LOADS IN STRUCTURAL DRAWINGS. PROVIDE SHOP DRAWINGS.
9. INFILL EXISTING BASEMENT WINDOW W/ STAIRWELL / COAL CHUTE. PROVIDE CMU WALL INFILL. FLUID-APPLIED WATERPROOFING AND DRAINAGE/PROTECTION BOARD ON EXTERIOR SIDE OF CMU. PRIOR TO INSTALLING INFILL. INFILL WELL PER STRUCTURAL DRAWINGS. LOWER TIPS OF EXISTING WALLS AS REQUIRED FOR NEW EXTERIOR GRADING (V.F.) WHERE INFILL OCCURS BENEATH R.O.W. INFILL AND PAVING SHALL BE IN ACCORDANCE W/ DOT STANDARDS. SEE STRUCTURAL DWGS FOR INFILL AND REINFORCING. SEE CIVIL DRAWINGS FOR NEW EXTERIOR GRADING/PAVEMENT, WHERE OCCURS.
10. EXISTING WOOD FRAMED STAIRS AND LANDING TO REMAIN. REPAIR AS REQUIRED. PRIME, AND PAINT.
11. NEW P.T. WOOD BASEMENT STAIR TO REPLACE EXISTING DETEIORATED STAIR. 11" TREAD, 7" MAX RISER HEIGHT. EQUAL HEIGHT RISERS. 6-8" MIN. HEAD HEIGHT. 36" MIN. STAIR WIDTH. WALL-TO-GUARD. PROVIDE 42" HIGH STEEL GUARDRAIL AT OPEN SIDE OF STAIR. GUARDRAIL IS DELEGATED DESIGN. PROVIDE SHOP DRAWINGS FOR STAIR AND RAILINGS.
12. STEEL HANDRAIL, 1 1/2" DIAMETER. PAINTED @ 36" AFF. WHERE EXISTING CONDITIONS ALLOW. EXTEND 12" HORIZONTALLY AT TOP OF STAIR AND EXTEND DIAGONALLY (1) 12" TREAD DEPTH AT BOTTOM. RETURN HANDRAIL TO WALL AS SHOWN ON FLOOR PLAN (WHERE PLAN CONFIGURATION ALLOWS). OTHERWISE RETURN TO FLOOR. EXTERIOR HANDRAILS TO BE GALVANIZED. AT EXITS, EXTEND HANDRAILS 12" HORIZONTALLY AT TOP AND BOTTOM OF RAMP; WHERE RAMP HANDRAILS NOT MOUNTED TO WALL, PROVIDE 1 1/2" DIAMETER POSTS EQUALLY SPACED AT 4' O.C. MAX SPACING. INSIDE RESIDENTIAL DWELLING UNIT HANDRAIL EXTENSIONS AT TOP AND BOTTOM OF STAIR NOT REQUIRED; SEE PLAN FOR HANDRAIL CONFIGURATION.
13. BATHROOM / SHOWER / TUB IN SHOWER BASK WITH THE SURROUND. SEE PLUMBING DRAWINGS AND INTERIOR ELEVATIONS. PROVIDE GRAB BARS IN ROLL-IN SHOWERS IN ACCESSIBLE UNITS. AT FIRE-RATED WALLS AND EXTERIOR WALLS, GYPSUM BOARD MUST BE CONTINUOUS BEHIND BATH SURROUND. PRIOR TO DRAINING WALLS, VERIFY WALL FRAMING DIMENSIONS @ BATH MFR. AND COORD. EXACT FRAMING DIMENSIONS IN FIELD. WHERE EXISTING FRAMING OCCURS, FRAMING DIMENSIONS VARY - V.F. PRIOR TO ORDERING BATHROOM/SHOWER BASES.
14. STRUCTURAL CONCRETE SLAB ON GALVANIZED METAL DECK TO REPLACE EXIST. SLAB ON DECK. SEE STRUCT DWGS.
15. EXIST. FRAMED HEADER TO BE REASSED - ALIGN W/ ADJACENT SOFFIT FOR CONTINUOUS PLANE. SEE PLAN.
16. NEW WOOD STAIR INSIDE DWELLING UNIT, 10" TREAD, 7 1/2" MAX. RISER HEIGHT. PROVIDE EQUAL HT. RISERS IN EACH STAIR RUN. 6-8" MIN. HEAD HEIGHT. 36" MIN. STAIR WIDTH. MEASURED WALL-TO-WALL OR WALL-TO-GUARD. PROVIDE PAINTED WOOD RISER. REFER TO MATCH WOOD FLOORING ABOVE. SEE STRUCTURAL DRAWINGS. PROVIDE SHOP DRAWINGS.
17. 2-HOUR FIRE RATED CEILING MEMBRANE ABOVE. PROVIDE (4) LAYERS OF 5/8" TYPE X GYP. BD. AND FIRING PER DETAIL 5/A.3.
18. NEW P.T. WOOD STAIR TO REPLACE EXISTING DETEIORATED WOOD STAIR. STAIR CONFIGURATION, TREAD DEPTH AND RISER HEIGHT TO MATCH EXISTING (AN EXISTING HIGH-COPELING CONDITION). PROVIDE 42" HIGH STEEL GUARDRAIL AT OPEN SIDES OF STAIR. GUARDRAIL IS DELEGATED DESIGN. PROVIDE SHOP DRAWINGS FOR STAIR AND RAILINGS. SEE STRUCT DWGS.
19. EXISTING STEEL OR CAST IRON COLUMN AND TRANSOM WINDOW TO REMAIN. UNDO. EVALUATE CONDITION. REPAIR AS REQUIRED. SEE STRUCTURAL DRAWINGS FOR ADDITIONAL INFO.
20. WOOD RAMPS, 1:12 MAXIMUM SLOPE. OVER-FRAMED ATOP NEW LOWERED FLOOR STRUCTURE. 36" MIN CLEAR WIDTH BETWEEN HANDRAILS. SEE STRUCTURAL DRAWINGS.
21. FLOOR STRUCTURE AT ENTRY TO BE LOWERED TO ACCOMMODATE NEW ACCESSIBLE ENTRANCE. COORDINATE NEW LOWERED FLOOR ELEVATION W/ EXTERIOR GRADE SO THAT INTERIOR FINISHED

- FLOOR ALIGNS W/ EXTERIOR GRADE AT EXTERIOR DOOR THRESHOLD. SEE DEMO PLANS, STRUCT DWGS. AND CIVIL DWGS.
22. EXISTING FIRE ESCAPE TO REMAIN. CLEAN, REPAIR, PAINT. REPAIRS TO FIRE ESCAPE AND CITY OF CINCINNATI F.E. INSPECTION UNDER SEPARATE PERMIT AND DELEGATED DESIGN - NOTED FOR REFERENCE ONLY.
23. UPFS/ADANSI-APPROVED MAILBOXES, SURFACE MOUNTED OR RECESSED. SEE PLAN. SURFACE MOUNTED = 48" VERTICAL MAILBOXES, RECESSED = 48" HORIZONTAL. MAILBOXES FOR ACCESSIBLE UNITS AND COMMERCIAL SPACES SHALL BE REACHABLE W/ IN 48" AFF. COORDINATE QUANTITIES AND ARRANGEMENT IN FIELD WITH ARCHITECT AND OWNER.
24. NEW STACKED CLOTHES WASHER AND DRYER. SEE APPLIANCE SCHEDULE. PROVIDE PLUMBED WASHER PAN. REPAIR TO MATCH EXISTING EXHAUST, PLUMBING, AND ELECTRICAL REQS.
25. FIRE-FINISHED ALUMINUM DOWNSPOUT. COLOR TBD. PROVIDE NEW PVC BOOT AT GRADE. PAINT TO BLEND WITH EXISTING MASONRY WALL. SCOPE EXISTING STORM LINE TO BRUSH WORKING CONDITION. REPAIR AS REQD. SEE PLUMBING DWGS FOR ADDITIONAL INFO.
26. EXISTING CMU WALL INFILL AND PREVIOUSLY FIELD BASEMENT ENCROACHMENT BELOW SIDEWALK TO REMAIN. VERIFY IN FIELD DURING SIDEWALK REPLACEMENT THAT EXISTING BACKFILL CONFORMS TO DOT REQUIREMENTS. CONTACT ARCHITECT IF EXISTING CONDITIONS ARE FOUND TO DEVIATE FROM ASSUMPTIONS.
27. EXISTING BAY WINDOW ABOVE. EVALUATE JOIST FRAMING, CLADDING AND TRIM AT UNDERSIDE. REPAIR AS REQUIRED. FILL JOIST CAVITY WITH BATT INSULATION. PROVIDE SMART VAPOR BARRIER AT UNDERSIDE OF JOISTS. REINSTALL SALVAGED CLADDING AND TRIM OR REPLACE IN KIND WITH NEW, IF STRUCTURE IS FOUND TO BE COMPROMISED. CONTACT ARCHITECT AND STRUCTURAL ENGINEER.
28. 20" X 30" LOCKABLE, SELF-CLOSING ACCESS PANEL TO CONCEALED SPACE. FIRE-RATED. WHERE OCCURS IN RATED WALL/CEILING, FIRE RATING IS TO MATCH FIRE-RATING OF RATED ASSEMBLY. GALVANIZED METAL TO PREVENT CORROSION IN BASEMENT. INSTALL PER MFR.'S REQUIREMENTS.
29. STACKED HVAC UNIT AND WATER HEATER. SEE MEP DRAWINGS. PROVIDE BLOCKING AS REQD.
30. SURFACE-MOUNTED INTERCOM WITH REMOTE DOOR RELEASE SYSTEM. DELEGATED DESIGN. COORDINATE INSTALLATION AND LOCATION OF IN-FIELD WITH OWNER AND ARCHITECT. COORDINATE POWER REQS W/ ELECTRICIAN.
31. SHELF + CLOTHES HANGING ROD, IN NON-ACCESSIBLE UNITS. PROVIDE WOOD HANGING ROD @ 60" AFF. WITH PAINTED WOOD SHELF ABOVE. IN ACCESSIBLE UNITS, PROVIDE VINYL-COATED WIRE SHELF WITH HANGING ROD MOUNTED ON ADJUSTABLE HEIGHT STEEL BRACKETS @ 48" AFF. PROVIDE BLOCKING AS REQUIRED.
32. ROOF HATCH ABOVE. SEE ROOF PLAN AND SPECIFICATIONS FOR ADDITIONAL INFORMATION.
33. NEW WOOD POST AND BEAM JOIST SUPPORT. 2-HOUR FIRE-RATED WHERE OCCURS AT SUPPORTING CONSTRUCTION BENEATH 2-HR STAIR ENCLOSURE OR 2-HR FLOOR/CEILING ASSEMBLY ABOVE. SEE DETAILS 3 AND 4/A0.3.a. REFER TO STRUCTURAL DWGS.
34. ALIGN EXTERIOR AND INTERIOR FINISHED FLOOR ELEVATIONS AT DOOR THRESHOLD. COORDINATE EXISTING ELEVATIONS IN FIELD. SEE CIVIL AND STRUCTURAL DRAWINGS. SLOPE EXTERIOR GRADE AWAY FROM DOOR THRESHOLD. 1/4" PER FOOT TO SHER WATER.
35. LINE OF LOWERED GYPSUM BD. CEILING / FACE OF EXISTING ABOVE. TYPICAL DROP FOR MEP ROUTING IS 18" FROM HIGH CEILING, UNLESS NOTED OTHERWISE ON PLAN. ABOVE KITCHEN WALL CABINETS PROVIDE 12" DEEP LOWERED CEILING TO TOP OF WALL CABINETS, U.N.O. SEE CEILING HEIGHTS ON PLAN FOR ADDITIONAL INFO.
36. (8) EQUALLY SPACED PAINTED WOOD SHELVES, 3/4" BRICH PLYWOOD W/ 1/2" EDGE TRIM.
37. INFILL EXISTING OPENING IN FLOOR STRUCTURE WITH NEW FRAMING TO MATCH EXISTING. NEW FINISHED FLOOR AT AREA OF FLOOR INFILL TO BE FLUSH WITH ADJACENT FINISHED FLOOR. SEE STRUCTURAL DWGS.
38. ROUTE SANITARY PLUMBING FROM 2ND FLOOR HORIZONTALLY THROUGH FIRE-RATED FLOOR/CEILING ASSEMBLY WITHOUT ENTERING FIRE-RATED STAIR ENCLOSURE. CONTACT ARCHITECT IF PROPOSED ROUTING IS NOT FEASIBLE. SEE PLUMBING DRAWINGS.
39. 1/2" V.F. VERTICAL FINISH ONLY. KITCHEN WALL CABINET HEIGHT VARIES AT 7'-0" SOFFIT CONDITION AT SLOPED CEILING. REFER TO APPLIANCE SERIES FOR INTERIOR ELEVATIONS AND MOCIFY WALL CABINET HEIGHT AS REQUIRED FOR DECREASED SOFFIT HEIGHT. MAINTAIN TYPICAL BACKSPLASH HEIGHT ABOVE COUNTER.
40. NEW CONCRETE STAIR AT EXTERIOR ENTRY. 11" TREADS, EQUAL HEIGHT RISERS (7" MAX). SEE STRUCTURAL DWGS. FOR ADDITIONAL INFO AND REINFORCING.
41. NEW CONCRETE STAIR AT BASEMENT. 11" TREADS, EQUAL HEIGHT RISERS (7" MAX). SEE STRUCTURAL DWGS. FOR ADDITIONAL INFO AND REINFORCING.
42. NEW STEEL COLUMN. SEE STRUCTURAL DRAWINGS.
43. SIDE-BY-SIDE WASHER/DRYER. SEE APPLIANCE SCHEDULE. IN ORDER TO MEET ACCESSIBILITY REQUIREMENTS, A 4" RISER/PEDISTAL FROM MANUFACTURER MAY BE REQUIRED. PROVIDE PLUMBED WASHER PAN. REFER TO MEP DWGS FOR EXHAUST, PLUMBING, AND ELECTRICAL REQS.
44. (1) EACH COMMERCIAL FRONT-LOADING WASHERS AND DRYERS IN COMMERCIAL LAUNDRY ROOM. SEE APPLIANCE SCHEDULE. SEE MEP DRAWINGS.
45. LOCATION OF INTERNAL ROOF DRAIN LEADER. EVALUATE CONDITION OF LEADER AND STORM CONNECTION. SCOPE EXISTING BELOW-GRADE STORM LINES. REPAIR/REPLACE AS REQUIRED. SEE PLUMBING DRAWINGS.

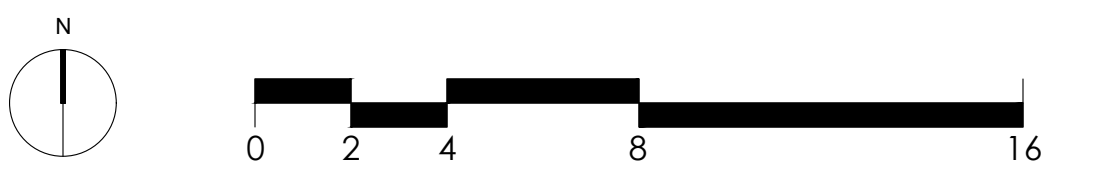
- 46. EXISTING STONE STEPS) TO REMAIN.
47. (5) EQUALLY SPACED, VINYL-COATED WIRE SHELVES ON WALL-MOUNTED ADJUSTABLE STEEL BRACKETS. PROVIDE BLOCKING AS REQUIRED.
48. LOCATION OF WALL-MOUNTED DOOR OPERATOR BUTON FOR SECURITY GATE @ 48" MAX AFF. DOOR OPERATOR IS FED TO REMOTE ACCESS CONTROL SYSTEM. COORDINATE EXACT LOCATION IN FIELD W/ OWNER AND ARCHITECT. COORDINATE ELECTRICAL POWER AS REQUIRED.
49. 6" HIGH ALUMINUM PICKET FENCE WITH LOCKABLE GATE. COORDINATE EXACT LOCATION IN FIELD W/ WITH ADJACENT PROPERTY OWNER TO AVOID OBSTRUCTING WINDOWS, INCLUDING WINDOWS OF THE ADJACENT BUILDING. SEE CIVIL DRAWINGS.
50. EXISTING CONCRETE RAMPA AT ADJACENT BUILDING TO REMAIN - SHOWN FOR REFERENCE. PROTECT DURING CONSTRUCTION. GC SHALL COORDINATE WORK IN SHARED PASSAGEWAY WITH ADJACENT PROPERTY OWNER.
51. HVAC CHASE FROM BASEMENT TO 1ST FLOOR. SEE MEP DRAWINGS. SEE STRUCTURAL DWGS FOR OPHG.
52. MODIFY EXISTING FIRE ESCAPE LADDER AS REQUIRED TO ACCOMMODATE NEW SLAB ELEVATION. CLEAN AND PAINT. GC IS RESPONSIBLE FOR FIRE ESCAPE INSPECTION AND REPAIR PER CITY OF CINCINNATI (SEPARATE PERMIT).
53. FUTURE HOOD EXHAUST AND MAKE-UP AIR FOR 1ST FLOOR COMMERCIAL SPACE UNDER SEPARATE PERMIT - SHOWN FOR REFERENCE ONLY. SEE MEP AND STRUCTURAL DRAWINGS FOR ADDITIONAL REFERENCE INFORMATION.
54. SINK: IN "ANSI TYPE A" MOBILITY UNITS, PROVIDE ACCESSIBLE SINK BASE W/ REMOVABLE FRONT. MIN. 30" WIDE CLEAR OPEN SPACE AT SINK WITH ANGI AT 17" COMPLIANT KNEE AND TOE CLEARANCE. FLOOR FINISH AND WALL FINISH TO EXTEND UNDER AND BEHIND CABINETS. 34" MAX. COUNTER HEIGHT. TYP. FLOOR FINISH AND WALL FINISH TO EXTEND UNDER AND BEHIND CABINETS. SEE INTERIOR ELEVATIONS A3.0, AND PLUMBING DRAWINGS FOR ADDITIONAL INFO.
55. KITCHEN WORK SURFACE IN "ANSI TYPE A" MOBILITY UNITS, PROVIDE CONTINUOUS WORK SURFACE IN KITCHEN W/ 30" WIDE CLEAR FLOOR SPACE. PROVIDE FINISHED END PANELS @ EXPOSED SIDES. 34" MAX. COUNTER HEIGHT. TYP. FLOOR FINISH AND WALL FINISH TO EXTEND UNDER AND BEHIND CABINETS. SEE INTERIOR ELEVATIONS ON SHEET A3.0.
56. LINE OF EXTERIOR MASONRY WALL ABOVE. SHOWN FOR REFERENCE. SUPPORTING CONSTRUCTION IS TO BE RE-RATED AND INDIVIDUALLY ENCASED. STEEL BEAMS ASSUMED - SEE DETAIL 1/A0.3.a FOR RATING. CONTACT ARCHITECT IF EXISTING CONDITIONS VARY FROM THESE ASSUMPTIONS.
57. CONCRETE SLAB WITH DOOR CLEARANCE AREA TO BE 1/4" PER FOOT TO DRAIN WATER. SEE CIVIL DRAWINGS FOR ADDITIONAL GRADING INFORMATION.
58. EXISTING INFILL W/ STUCCO FINISH TO REMAIN. EVALUATE CONDITION IN FIELD, AND REPAIR AS REQD TO MATCH EXISTING CONSTRUCTION. PAINT. AT INTERIOR, FUR OUT WALL WITH OPENING TO ALIGN WITH ADJACENT SURFACE. PAINT.
59. 2-HR FIRE-RATED STEEL BEAM ABOVE. PROVIDE 5FRM PER DETAIL 3/A0.3.a.
60. UPFS/ADANSI APPROVED RESIDENTIAL STYLE EXTERIOR GRADE SURFACE-MOUNTED LOCKABLE MAILBOX. MOUNT 50 REE 6'48" MAX ABOVE GRADE. COORDINATE QUANTITIES AND ARRANGEMENT IN FIELD WITH ARCHITECT AND OWNER.
61. EXISTING MASONRY SITE PARTY WALL TO REMAIN. PROVIDE NEW ALUMINUM CORNING. SEE SPECIFICATIONS.
62. NEW FLOOR DRAIN. REFER TO PLUMBING DRAWINGS FOR ADDITIONAL INFORMATION AND FOR ADDITIONAL FLOOR DRAIN LOCATIONS NOT ILLUSTRATED ON THESE PLANS.
63. NEW OR EXISTING CURB. SEE EXTERIOR ELEVATIONS AND STRUCTURAL DWGS.
64. EXISTING 1-HR FIRE-RATED WALL (UL 340) TO REMAIN. CONTRACTOR TO VERIFY THAT EXISTING FINISHES IN THE FIELD AND NECESSARY REPAIRS / MODIFICATIONS (WHERE REQUIRED) ALIGN WITH THE UL LISTING.
65. EXISTING 1-HR FIRE-RATED WALL (IGA FILE NO. WF 1072) TO REMAIN. CONTRACTOR TO VERIFY THAT EXISTING FINISHES IN THE FIELD AND NECESSARY REPAIRS / MODIFICATIONS (WHERE REQUIRED) ALIGN WITH THE UL LISTING AND THAT EXIST. WALL IS CONTINUOUS TO UNDERSIDE FLOOR SHEATHING ABOVE.
66. NEW HVAC UNIT SERVING COMMERCIAL SPACE ABOVE. REFER TO MEP DWGS.
67. NEW WATER HEATER. REFER TO MEP DWGS.
68. INFILL HISTORIC DOOR OPENING PER WALL TYPE SHOWN ON PLAN. PROVIDE PRIME AND PAINTED DOOR TRIM (SALVAGED) OR NEW TRIM TO MATCH ADJACENT STAIRHALL DOORS) AT STAIRHALL SIDE ONLY TO SHOW OUTLINE OF PREVIOUS DOOR LOCATION.
69. NEW CONCRETE FOOTING AT NEW STRUCTURE. FOOTING TO BE FLUSH WITH EXISTING FLOOR SLAB. TYP. COORDINATE EXACT LOCATION IN FIELD. SEE STRUCTURAL DRAWINGS FOR ADDITIONAL INFORMATION.
70. WITH EXIST. SLOPED CEILING PORTION OF BUILDING, HOLD NEW SOFFITS / DROPPED CLGS AS HIGH AS POSSIBLE (7'6" MIN. CLR. HEIGHT). DROPPED CEILINGS TO BE FLAT (NOT SLOPED). REFER TO MEP DWGS.
71. CENTERLINE OF NEW LINTEL / BEAM ABOVE. SEE STRUCTURAL DRAWINGS.
72. NEW WOOD POST AND BEAM ABOVE. SEE STRUCTURAL DRAWINGS.
73. LOW WALL W/ PAINTED 1" THICK WOOD CAP TO CONCRETE PLUMBING. MATCH HEIGHT OF STOREFRONT WALL SILL. KEEP TO MINIMUM SLICE (COORD. IN FIELD).

1-HOUR FIRE-RATED FLOOR/CEILING ASSEMBLY ABOVE. SEE 6/A0.3. (ONE LAYER OF WOOD FLOORING ON JOISTS ABOVE)

1-HOUR FIRE-RATED FLOOR/CEILING ASSEMBLY ABOVE. SEE 6/A0.3. (ONE LAYER OF WOOD FLOORING ON JOISTS ABOVE)



A3.3 1/4" = 1'-0"



NOT FOR CONSTRUCTION
CITY STUDIOS ARCHITECTURE
1148 Main Street Cincinnati, OH 45202 ph. 513.621.0750 citystudiosarch.com

advantage
1527 Madison Road Cincinnati, OH 45206 513.836.9900 www.advantageps.com

VIQX&VIQX
11100 W. Chester Ave., Suite 100 Cincinnati, OH 45241
1-800-368-3810

PE Services
1-513-836-3810
9 North Broadway Lebanon, OH 45046 513-836-3810

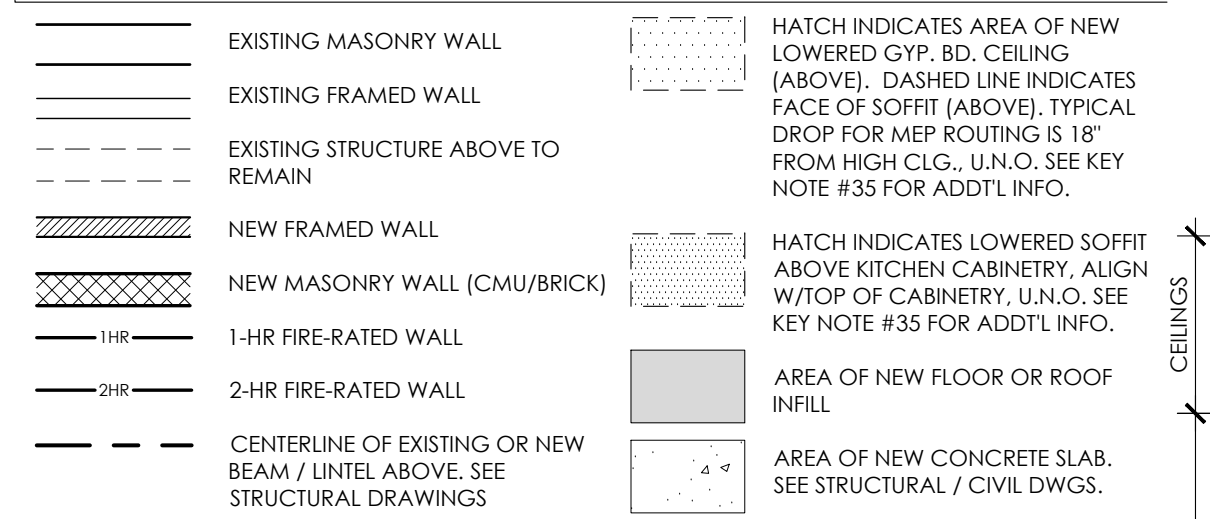
RUSS ALLEY
1623 -1625 VINE STREET, 1624 REPUBLIC STREET
(1625 VINE HPTC APPLICATION)
CINCINNATI, OH 45202

3CDC
CINCINNATI DEVELOPMENT CORPORATION

ISSUE LOG:
06.02.2023 ISSUE FOR PERMIT
07.14.2023 PERMIT REVISION 1
09.21.2023 OHFA PRELIM. SUBMISSION

THIRD FLOOR NEW WORK PLAN
A3.3
PRELIMINARY: NOT FOR CONSTRUCTION

NEW WORK PLAN GRAPHIC KEY



HISTORIC KEYNOTES

- REFERS TO DOOR AND WINDOW TAGS ON NEW WORK PLANS AND TO DOOR AND WINDOW SCHEDULES ON SHEETS A3.4 AND A3.5 FOR DETAILED SCORE OF WORK AT HISTORIC DOOR AND WINDOW OPENINGS.
- IF NOTE OCCURS AT CENTER OF ROOM, NOTE APPLIES TO ALL WALLS, U.N.O.
- BRICK TO REMAIN EXPOSED WHERE NO PLASTER IS PRESENT. PROVIDE MASONRY CONSOLIDATOR, PRIME AND PAINT WHERE PREVIOUSLY PAINTED.
- REMOVE AND SALVAGE HISTORIC METAL STAMPED CEILING PANELS AND CROWN MOULDING FOR REINSTALLATION OVER FIRE-RATED CEILING. SEE NEW WORK PLANS FOR LOCATION OF REINSTALLED CEILING.
- NOT USED
- NOT USED
- EXISTING HISTORIC WOOD BASEBOARD TO REMAIN IN PLACE. REPAIR TO MATCH EXISTING WHERE DAMAGED OR DETERIORATED AND PAINT.
- REMOVE AND SALVAGE EXISTING HISTORIC WOOD BASEBOARD FOR REINSTALLATION WHERE WALL IS TO BE FURLED OUT FOR THERMAL INSULATION OR WHERE PLASTER IS TO BE REMOVED TO IMPROVE FIRE RESISTANCE RATING (SEE WALL TYPES AND NEW WORK PLANS FOR ADDITIONAL INFORMATION). REINSTALL SALVAGED HISTORIC BASEBOARD OVER NEW GYPSUM BOARD. REPAIR, PRIME AND PAINT.
- REMOVE EXISTING HISTORIC BASEBOARD REMNANTS.
- HISTORIC WOOD BEACORD WAINSCOT AND CHAIR RAIL TO REMAIN. REPAIR AND PAINT WHERE DETERIORATED OR MISSING. PROVIDE NEW TO MATCH. PAINT.
- REMOVE EXISTING HISTORIC WOOD BEACORD WAINSCOT AND CHAIR RAIL. SALVAGE FOR RELOCATION. INSTALL AT STAIRWALL WALLS NOW EXPOSED BY SHAFT WALL DEMOLITION - SEE NEW WORK PLANS. REPAIR, PRIME, PAINT.
- REMOVE EXISTING HISTORIC CROWN MOULDING REMNANTS.
- EXISTING HISTORIC MANTEL AND HEARTH (WHERE OCCURS) TO REMAIN IN PLACE. CLEAN AND REPAIR AS REQD. PROVIDE NEW STAIN AT MANTEL WHERE PREVIOUSLY PAINTED.
- HISTORIC WOOD FLOORING TO REMAIN. PATCH ALL DAMAGED, DETERIORATED, OR MISSING BOARDS. REFRESH. SEE FINISH SCHEDULE ON A2.2 FOR ADDITIONAL INFO.
- EXISTING HISTORIC MOSAIC TILE FLOORS TO REMAIN IN PLACE. REPAIR AS REQD. SEE FINISH SCHEDULE ON A2.2.
- HISTORIC WOOD FLOORING TO BE CONCEALED BY NEW FINISH FLOORING AS INDICATED ON FINISH SCHEDULE. SEE A2.2 FOR ADDITIONAL INFO.
- REMOVE EXISTING HISTORIC METAL FLOOR GRATE AND SALVAGE FOR REINSTALLATION AT EXISTING LOCATION ABOVE NEW FLOOR INFILL GRATE. SHALL BE FLUSH WITH NEW FLOORING.
- CONTEMPORARY VINYL FLOORING AND LIAISON SUBSTRATE TO BE CAREFULLY REMOVED TO EXPOSE EXISTING HISTORIC WOOD FLOORING. PATCH ALL DAMAGED, DETERIORATED, OR MISSING BOARDS. REFRESH. SEE FINISH SCHEDULE ON A2.2 FOR ADDITIONAL INFO.
- EXISTING HISTORIC STAIR: NEWEL POSTS, NEWEL POST CAPS, BALUSTRADES, AND HANDRAILS (WHERE OCCURS) TO REMAIN. REPAIR OR REPLACE DAMAGED / DETERIORATED / MISSING STAIR COMPONENTS TO MATCH EXIST. PAINT.
- EXISTING HISTORIC SKYLIGHT TO REMAIN. REPAIR AND REFRESH AS REQUIRED. SEE STRUCTURAL DWGS. HISTORIC WOOD BEACORD SUBROUND TO REMAIN. REPAIR AS REQD. - PAINT.
- HISTORIC WOOD BEACORD SUBROUND AT ABANDONED, INFILLED, SKYLIGHT TO REMAIN. REMOVE, SALVAGE AND REINSTALL OR REPLICATE HISTORIC BEACORD SUBROUND AS REQD TO FIRE-RATE SURROUNDING BEAMS. PAINT.

NEW WORK PLAN GENERAL NOTES

- DO NOT SCALE DRAWINGS. REFER TO DIMENSIONS AND NOTES.
- DIMENSIONS ARE TO NEW FINISH FACE OR EXISTING FINISH, U.N.O. NEW MASONRY WALLS AND MASONRY OPENINGS ARE DIMENSIONED TO MASONRY.
- EXISTING FRAMED WALLS AT 1625 VINE ST. ARE DIMENSIONED TO FACE OF STUD.
- SEE A3.4, A3.1, & A3.2 FOR TYPICAL KITCHEN AND BATHROOM ENLARGED PLANS AND ELEVATIONS.
- LOAD-BEARING WALLS, COLUMNS, BEAMS, AND STRUCTURAL ELEMENTS TO REMAIN, U.N.O.
- PATCH AND REPAIR ALL SURFACES TO MATCH EXISTING ADJACENT CONSTRUCTION AT AREAS OF DEMOLITION AND NEW CONSTRUCTION.
- CLEAN BRICK AND STONE MASONRY PER SPECIFICATIONS. PROVIDE TEST AREA FOR REVIEW.
- REPLACE ALL MISSING, CRACKED, ERODED, OR STALLED BRICKS WITH SALVAGED HISTORIC BRICKS OR NEW BRICKS TO MATCH HISTORIC BRICKS. EXERCISE CARE SO AS NOT TO DAMAGE ADJACENT HISTORIC BRICKS TO REMAIN. REPAIR ALL MISSING, DETERIORATED, OR SOFT MORTAR JOINTS IN ALL MASONRY. REFER TO EXTERIOR ELEVATIONS AND SPECIFICATIONS FOR ADDITIONAL INFO.
- REPLACE CRACKED STONE UNITS AND SILLS TO MATCH EXISTING.
- UNPAINTED EXTERIOR MASONRY TO REMAIN UNPAINTED. PAINTED EXTERIOR MASONRY IS TO BE REPAINTED. COLOR TBD BY ARCHITECT.
- NEW DOORS IN STUD WALLS LOCATED IN CORNERS ARE NOT DIMENSIONED ON PLANS. INSTALL NEW DOOR 4" FROM END WALL TO INSIDE OF FRAME, U.N.O.
- NEW CLOSET DOORS ARE TO BE CENTERED ON CLOSET, U.N.O.
- PROVIDE BLOCKING AS REQUIRED IN WALLS FOR NEW PARTITIONS, FIXTURES, SHELVING, CABINETS, BATHROOM ACCESSORIES, ETC.
- ALL EXISTING OPENINGS WHERE NEW DOORS ARE TO BE LOCATED ARE TO BE FIELD VERIFIED. ALL OPENINGS MUST BE ASSUMED TO BE UNIQUE.
- AT NEW AND MODIFIED MASONRY OPENINGS, WHERE MASONRY IS EXPOSED, TOOTH-OUT AND KEY-IN MATCHING BRICK. PROVIDE SALVAGED NEW BRICK TO MATCH EXISTING.
- PROVIDE F1. WOOD SILL PLATE AT WOOD STUD WALLS IN CONTACT CONC. OR MASONRY.
- SEE MEP DRAWINGS FOR LOCATIONS OF ROOF PENETRATIONS. PROVIDE PENETRATION FLASHING PER ROOFING MFG REQUIREMENTS AND RECOMMENDATIONS.
- CILING HEIGHTS INDICATED ON PLANS ARE FROM FINISH FLOOR TO FINISH CEILING. COORDINATE WITH MEP ROUTING. CONTACT ARCHITECT FOR DISCREPANCIES.
- PROVIDE FIREBLOCKING IN ALL NEW ASSEMBLIES SECTION 710.2 DRC.
- THROUGH PENETRATIONS OF FLOOR / CEILING ASSEMBLIES AND WALL ASSEMBLIES INDICATED TO BE FIRE RATED SHALL BE PROTECTED PER SECTION 714.3.1 & 714.4.1 DRC.
- SEE STRUCT. DWGS. FOR TYPICAL JOIST REPAIR AND REINFORCING DETAILS FOR DAMAGED JOISTS DISCOVERED IN THE FIELD AND FOR MODIFICATIONS TO EXISTING JOISTS. VERIFY SCOPE IN FIELD.
- REPLACE DETERIORATED OR MISSING SUBFLOOR WHERE OCCURS. VERIFY SCOPE OF REPLACEMENT.
- INSTALLATION INSTRUCTIONS AND WALL FINISH INSTALLATION.
- PROVIDE RADON MITIGATION SYSTEM IN ACCORDANCE WITH OHFA AND ECCO (GREEN STANDARD) REQUIREMENTS. RADON MITIGATION SYSTEM IS DELEGATED DESIGN. BY GC. ALL RADON PIPING ABOVE BASEMENT IS TO BE CONCEALED BEHIND FINISHES. PROVIDE ELECTRICAL POWER TO THE ATTIC OR ROOF AS REQD FOR FUTURE FANS IN CASE TESTING DETERMINES THAT AN ACTIVE SYSTEM IS REQUIRED.
- REPLACE DETERIORATED OR MISSING SUBFLOOR WHERE OCCURS. VERIFY SCOPE OF REPLACEMENT.
- REMOVE NON-HISTORIC WINDOW, HISTORIC WOOD WEIGHT BOX AND BRICK MOULD TO REMAIN. INSTALL NEW WINDOW WITHIN WEIGHT BOX. REPLACE DETERIORATED HISTORIC WOOD BRICK MOULD TO MATCH HISTORIC PROFILE IF REQUIRED. PAINT.
- PROVIDE NEW CUSTOM WOOD WINDOW AND BRICKMOULD TO MATCH EXISTING ADJACENT HISTORIC WINDOW. INSTALLATION TO MATCH HISTORIC INSTALLATION - PAINT.
- REMOVE NON-HISTORIC WINDOW OR INFILL (WHERE OCCURS) BACK TO HISTORIC ROUGH MASONRY WEIGHT BOX AND BRICK MOULD. REPAIR AND PAINT. PROVIDE NEW ALUMINUM CLAD WOOD WINDOW. INSTALLATION TO MATCH HISTORIC WINDOW.
- EXISTING HISTORIC WOOD WINDOW AND ALL ASSOCIATED WINDOW COMPONENTS TO REMAIN. REPAIR TO AN OPERABLE CONDITION - PAINT. INSTALL NEW EXTERIOR STORM WINDOW (WHERE APPLICABLE).

NEW WORK PLAN KEYNOTES

- EXISTING CONCRETE SLAB TO REMAIN. VIBRE AREAS OF SEVERE DAMAGE. AND REPAIR TO MATCH EXISTING. PATCH AS REQUIRED FOLLOWING INSTALLATION OF NEW UNDER-SLAB PLUMBING (NOT SHOWN) - SEE PLUMBING DWGS.
- INTERIOR CONCRETE SLAB ON GRADE. PROVIDE VAPOR RETARDER. SEE STRUCTURAL DRAWINGS FOR ADDITIONAL INFO.
- EXISTING STEEL OR CAST IRON COLUMN TO REMAIN. CLEAN AND PRIME. 2-HR FIRE-RATED. PROVIDE INTUMESCENT COATING. SEE DETAIL 1/A0.3.0. SEE STRUCTURAL DWGS.
- LINE OF EXISTING STRUCTURE ABOVE TO REMAIN (BEAM, HEADER, ROOF OVERHANG, ETC.) / CENTERLINE OF EXISTING BEAM ABOVE.
- LINE OF EXISTING BRICK/STONE ARCHES ABOVE TO REMAIN. NEW CONCRETE PAVING OCCURS ABOVE - COORDINATE WITH CIVIL AND STRUCTURAL DRAWINGS.
- EXISTING STEEL OR CAST IRON COLUMN TO REMAIN. CLEAN, PAINT.
- REPLACE EXISTING CONCRETE SIDEWALK, SIDEWALK AND BACKFILL BELOW (WHERE OCCURS) SHALL BE IN ACCORDANCE W/ DOT STANDARDS. SEE STRUCTURAL AND CIVIL DWGS.
- REMOVE EXTERIOR CONCRETE SLAB ON GRADE, SLOPE 1/2" PER FOOT AWAY FROM BUILDINGS. SEE STRUCTURAL DRAWINGS. SEE CIVIL DRAWINGS FOR NEW GRADING, SLOPED CONCRETE WALLS, ETC. AND EXTENT OF CONCRETE CURB REPLACEMENT. SLOPED CONCRETE WALLS SHALL NOT EXCEED 1:20 SLOPE. EXISTING GRANITE CURBS TO REMAIN AND TO BE RAISED WHERE INDICATED ON CIVIL DRAWINGS.
- STEEL GUARDRAIL (INSIDE DWELLING UNIT) @ 36" AFF. (AT OPEN-ENDED SIDEWALK) @ 42" 1 1/2" SQUARE TUBE TOP AND BOTTOM RAILS. VERTICAL STEEL PICKETS @ 4" C.C. GUARD SHALL NOT ALLOW THE PASSAGE OF A 4" SPHERE. DELEGATED DESIGN - GUARDRAIL LOADING SHALL BE IN ACCORDANCE W/ DESIGN LOADS IN STRUCTURAL DRAWINGS. PROVIDE SHOP DRAWINGS.
- INFILL EXISTING BASEMENT WINDOW WELL STAIRWELL / COAL CHUTE. PROVIDE CMU WALL INFILL. FLUID-APPLIED WATERPROOFING AND DRAINAGE/PROTECTION BOARD ON EXTERIOR SIDE OF CMU PRIOR TO INSTALLING INFILL. INFILL WELL PER STRUCTURAL DRAWINGS. LOWER TOPS OF EXISTING WALLS AS REQUIRED FOR NEW EXTERIOR GRADES (V.F.) WHERE INFILL OCCURS BENEATH R.O.W. INFILL AND PAVING SHALL BE IN ACCORDANCE W/ DOT STANDARDS. SEE STRUCTURAL DWGS FOR INFILL AND REINFORCING. SEE CIVIL DRAWINGS FOR NEW EXTERIOR GRADING/PAVEMENT, WHERE OCCURS.
- EXISTING WOOD FRAMED STAIRS AND LANDING TO REMAIN. REPAIR AS REQUIRED, PRIME, AND PAINT.
- NEW P1. WOOD BASEMENT STAIR TO REPLACE EXISTING DETERIORATED STAIR. 11" TREAD, 7" MAX RISER HEIGHT. EQUAL HEIGHT RISERS. 6"-8" MIN. HEAD HEIGHT. 36" MIN. STAR WIDTH. WALL-TO-GUARD. PROVIDE 42" HIGH STEEL GUARDRAIL AT OPEN SIDE OF STAIR. GUARDRAIL IS DELEGATED DESIGN. PROVIDE SHOP DRAWINGS FOR STAIR AND RAILINGS.
- STEEL HANDRAIL, 1 1/2" DIAMETER. PAINTED @ 36" AFF. WHERE EXISTING CONDITIONS ALLOW. EXTEND 12" HORIZONTALLY AT TOP OF STAIR AND EXTEND DIAGONALLY (1) 1 TREAD DEPTH AT BOTTOM. RETURN HANDRAIL TO FLOOR. EXTERIOR HANDRAILS TO BE GALVANIZED. AT EXITS, EXTERIOR HANDRAILS 12" HORIZONTALLY AT TOP AND BOTTOM OF RAMP; WHERE RAMP HANDRAIL. ELEVATION TO MATCH EXISTING. PROVIDE 1 1/2" DIAMETER POSTS EQUALLY SPACED AT 4' O.C. MAX SPACING. INSIDE RESIDENTIAL DWELLING UNIT HANDRAIL EXTENSIONS AT TOP AND BOTTOM OF STAIR NOT REQUIRED; SEE PLAN FOR HANDRAIL CONFIGURATION.
- BATH / SHOWER / ROLL-IN SHOWER BAKE WITH THE SURROUNDING. SEE PLUMBING DRAWINGS AND INTERIOR ELEVATIONS. PROVIDE GRAB BARS IN ROLL-IN SHOWERS IN ACCESSIBLE UNITS, OTHERWISE REMOVE WALLS AND EXTERIOR WALLS. GYPSUM BOARD MUST BE CONTINUOUS BEHIND BATH SUBFLOOR. PRIOR TO FRAMING WALLS, VERIFY WALL FRAMING DIMENSIONS W/ BATH MFR. AND COORD. EXACT FRAMING DIMENSIONS IN FIELD WHERE EXISTING FRAMING OCCURS. FRAMING DIMENSIONS VARY - V.F. PRIOR TO ORDERING BATHUBS/SHOWER BASES.
- STRUCTURAL CONCRETE SLAB ON GALVANIZED METAL DECK TO REPLACE EXIST. SLAB ON DECK. SEE STRUCT. DWGS.
- EXIST. FRAMED HEADER TO BE RAISED - ALIGN W/ ADJACENT SOFFIT FOR CONTINUOUS PLANE. SEE PLAN.
- NEW WOOD STAIR INSIDE DWELLING UNIT, 10" TREAD, 7 1/2" MAX. RISER HEIGHT. PROVIDE EQUAL HT. RISERS IN EACH STAIR RUN. 6"-8" MIN. HEAD HEIGHT. 36" MIN. STAR WIDTH, MEASURED WALL-TO-WALL OR WALL-TO-GUARD. PROVIDE PAINTED V.F. RISER. REPAIR TO MATCH WOOD FLOORING ABOVE. SEE STRUCTURAL DRAWINGS. PROVIDE SHOP DRAWINGS.
- 2-HOUR FIRE RATED CEILING MEMBRANE ABOVE. PROVIDE (4) LAYERS OF 5/8" TYPE X GYP. BD. AND FURRING PER DETAIL A3.3.
- NEW P1. WOOD STAIR TO REPLACE EXISTING DETERIORATED WOOD STAIR. STAIR CONFIGURATION, TREAD DEPTH AND RISER HEIGHT TO MATCH EXISTING (AN EXISTING HIGH-CONCURRENCY CONDITION). PROVIDE 42" HIGH STEEL GUARDRAIL AT OPEN SIDES OF STAIR. GUARDRAIL IS DELEGATED DESIGN. PROVIDE SHOP DRAWINGS FOR STAIR AND RAILINGS. SEE STRUCT. DWGS.
- EXISTING STEEL WOOD POST AND BEAM JOIST END REINFORCEMENT TO REMAIN. UNDO. EVALUATE CONDITION. REPAIR AS REQUIRED. SEE STRUCTURAL DRAWINGS FOR ADDITIONAL INFO.
- WOOD RAMP, 1:12 MAXIMUM SLOPE. OVER-FRAMED ATOP NEW LOWERED FLOOR STRUCTURE. 36" MIN CLEAR WIDTH BETWEEN HANDRAILS. SEE STRUCTURAL DRAWINGS.
- ROOF STRUCTURE AT ENTRY TO BE LOWERED TO ACCOMMODATE NEW ACCESSIBLE ENTRANCE. COORDINATE NEW LOWERED FLOOR ELEVATION W/ EXTERIOR GRADE SO THAT INTERIOR FINISHED

NEW WORK PLAN KEYNOTES

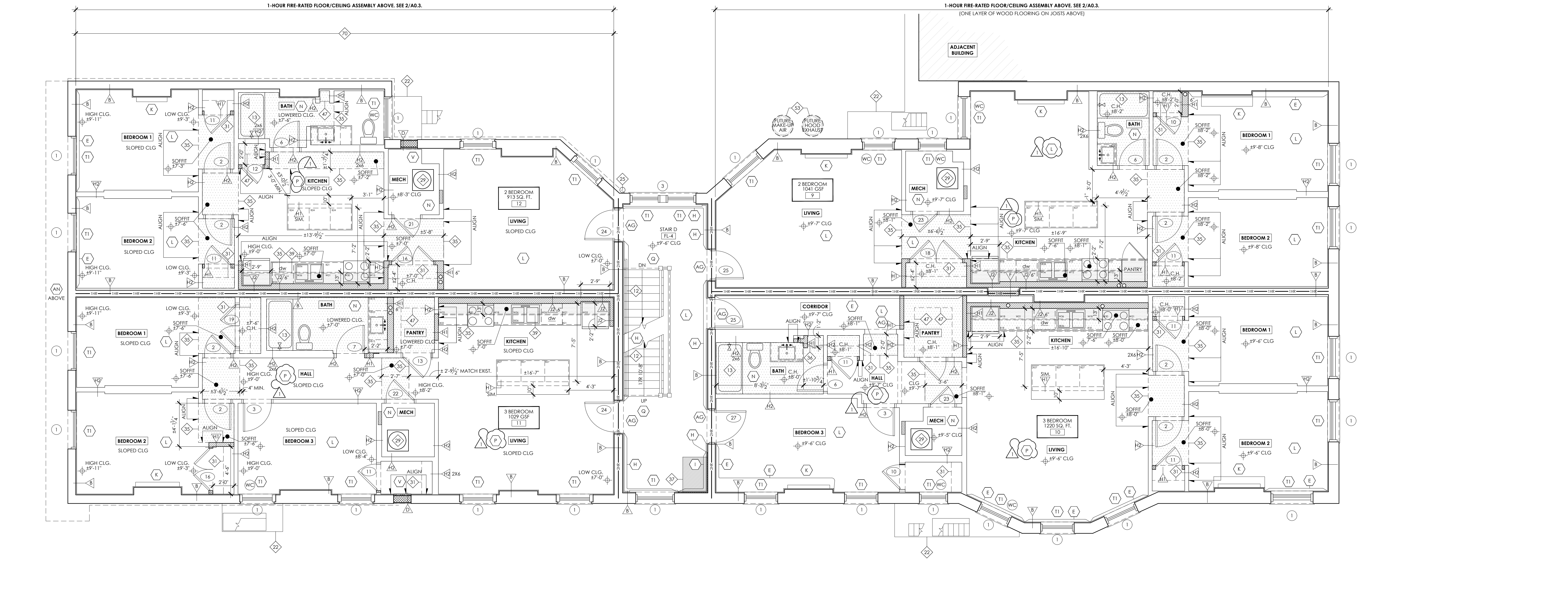
- EXISTING STEEL OR CAST IRON COLUMN TO REMAIN. CLEAN, PAINT.
- REPLACE EXISTING CONCRETE SIDEWALK, SIDEWALK AND BACKFILL BELOW (WHERE OCCURS) SHALL BE IN ACCORDANCE W/ DOT STANDARDS. SEE STRUCTURAL AND CIVIL DWGS.
- REMOVE EXTERIOR CONCRETE SLAB ON GRADE, SLOPE 1/2" PER FOOT AWAY FROM BUILDINGS. SEE STRUCTURAL DRAWINGS. SEE CIVIL DRAWINGS FOR NEW GRADING, SLOPED CONCRETE WALLS, ETC. AND EXTENT OF CONCRETE CURB REPLACEMENT. SLOPED CONCRETE WALLS SHALL NOT EXCEED 1:20 SLOPE. EXISTING GRANITE CURBS TO REMAIN AND TO BE RAISED WHERE INDICATED ON CIVIL DRAWINGS.
- STEEL GUARDRAIL (INSIDE DWELLING UNIT) @ 36" AFF. (AT OPEN-ENDED SIDEWALK) @ 42" 1 1/2" SQUARE TUBE TOP AND BOTTOM RAILS. VERTICAL STEEL PICKETS @ 4" C.C. GUARD SHALL NOT ALLOW THE PASSAGE OF A 4" SPHERE. DELEGATED DESIGN - GUARDRAIL LOADING SHALL BE IN ACCORDANCE W/ DESIGN LOADS IN STRUCTURAL DRAWINGS. PROVIDE SHOP DRAWINGS.
- INFILL EXISTING BASEMENT WINDOW WELL STAIRWELL / COAL CHUTE. PROVIDE CMU WALL INFILL. FLUID-APPLIED WATERPROOFING AND DRAINAGE/PROTECTION BOARD ON EXTERIOR SIDE OF CMU PRIOR TO INSTALLING INFILL. INFILL WELL PER STRUCTURAL DRAWINGS. LOWER TOPS OF EXISTING WALLS AS REQUIRED FOR NEW EXTERIOR GRADES (V.F.) WHERE INFILL OCCURS BENEATH R.O.W. INFILL AND PAVING SHALL BE IN ACCORDANCE W/ DOT STANDARDS. SEE STRUCTURAL DWGS FOR INFILL AND REINFORCING. SEE CIVIL DRAWINGS FOR NEW EXTERIOR GRADING/PAVEMENT, WHERE OCCURS.
- EXISTING WOOD FRAMED STAIRS AND LANDING TO REMAIN. REPAIR AS REQUIRED, PRIME, AND PAINT.
- NEW P1. WOOD BASEMENT STAIR TO REPLACE EXISTING DETERIORATED STAIR. 11" TREAD, 7" MAX RISER HEIGHT. EQUAL HEIGHT RISERS. 6"-8" MIN. HEAD HEIGHT. 36" MIN. STAR WIDTH. WALL-TO-GUARD. PROVIDE 42" HIGH STEEL GUARDRAIL AT OPEN SIDE OF STAIR. GUARDRAIL IS DELEGATED DESIGN. PROVIDE SHOP DRAWINGS FOR STAIR AND RAILINGS.
- STEEL HANDRAIL, 1 1/2" DIAMETER. PAINTED @ 36" AFF. WHERE EXISTING CONDITIONS ALLOW. EXTEND 12" HORIZONTALLY AT TOP OF STAIR AND EXTEND DIAGONALLY (1) 1 TREAD DEPTH AT BOTTOM. RETURN HANDRAIL TO FLOOR. EXTERIOR HANDRAILS TO BE GALVANIZED. AT EXITS, EXTERIOR HANDRAILS 12" HORIZONTALLY AT TOP AND BOTTOM OF RAMP; WHERE RAMP HANDRAIL. ELEVATION TO MATCH EXISTING. PROVIDE 1 1/2" DIAMETER POSTS EQUALLY SPACED AT 4' O.C. MAX SPACING. INSIDE RESIDENTIAL DWELLING UNIT HANDRAIL EXTENSIONS AT TOP AND BOTTOM OF STAIR NOT REQUIRED; SEE PLAN FOR HANDRAIL CONFIGURATION.
- BATH / SHOWER / ROLL-IN SHOWER BAKE WITH THE SURROUNDING. SEE PLUMBING DRAWINGS AND INTERIOR ELEVATIONS. PROVIDE GRAB BARS IN ROLL-IN SHOWERS IN ACCESSIBLE UNITS, OTHERWISE REMOVE WALLS AND EXTERIOR WALLS. GYPSUM BOARD MUST BE CONTINUOUS BEHIND BATH SUBFLOOR. PRIOR TO FRAMING WALLS, VERIFY WALL FRAMING DIMENSIONS W/ BATH MFR. AND COORD. EXACT FRAMING DIMENSIONS IN FIELD WHERE EXISTING FRAMING OCCURS. FRAMING DIMENSIONS VARY - V.F. PRIOR TO ORDERING BATHUBS/SHOWER BASES.
- STRUCTURAL CONCRETE SLAB ON GALVANIZED METAL DECK TO REPLACE EXIST. SLAB ON DECK. SEE STRUCT. DWGS.
- EXIST. FRAMED HEADER TO BE RAISED - ALIGN W/ ADJACENT SOFFIT FOR CONTINUOUS PLANE. SEE PLAN.
- NEW WOOD STAIR INSIDE DWELLING UNIT, 10" TREAD, 7 1/2" MAX. RISER HEIGHT. PROVIDE EQUAL HT. RISERS IN EACH STAIR RUN. 6"-8" MIN. HEAD HEIGHT. 36" MIN. STAR WIDTH, MEASURED WALL-TO-WALL OR WALL-TO-GUARD. PROVIDE PAINTED V.F. RISER. REPAIR TO MATCH WOOD FLOORING ABOVE. SEE STRUCTURAL DRAWINGS. PROVIDE SHOP DRAWINGS.
- 2-HOUR FIRE RATED CEILING MEMBRANE ABOVE. PROVIDE (4) LAYERS OF 5/8" TYPE X GYP. BD. AND FURRING PER DETAIL A3.3.
- NEW P1. WOOD STAIR TO REPLACE EXISTING DETERIORATED WOOD STAIR. STAIR CONFIGURATION, TREAD DEPTH AND RISER HEIGHT TO MATCH EXISTING (AN EXISTING HIGH-CONCURRENCY CONDITION). PROVIDE 42" HIGH STEEL GUARDRAIL AT OPEN SIDES OF STAIR. GUARDRAIL IS DELEGATED DESIGN. PROVIDE SHOP DRAWINGS FOR STAIR AND RAILINGS. SEE STRUCT. DWGS.
- EXISTING STEEL WOOD POST AND BEAM JOIST END REINFORCEMENT TO REMAIN. UNDO. EVALUATE CONDITION. REPAIR AS REQUIRED. SEE STRUCTURAL DRAWINGS FOR ADDITIONAL INFO.
- WOOD RAMP, 1:12 MAXIMUM SLOPE. OVER-FRAMED ATOP NEW LOWERED FLOOR STRUCTURE. 36" MIN CLEAR WIDTH BETWEEN HANDRAILS. SEE STRUCTURAL DRAWINGS.
- ROOF STRUCTURE AT ENTRY TO BE LOWERED TO ACCOMMODATE NEW ACCESSIBLE ENTRANCE. COORDINATE NEW LOWERED FLOOR ELEVATION W/ EXTERIOR GRADE SO THAT INTERIOR FINISHED

NEW WORK PLAN KEYNOTES

- FLOOR ALIGNS W/ EXTERIOR GRADE AT EXTERIOR DOOR THRESHOLD. SEE DEMO PLANS, STRUCT. DWGS. AND CIVIL DWGS.
- EXISTING FIRE ESCAPE TO REMAIN. CLEAN, REPAIR, PAINT. REPAIRS TO FIRE ESCAPE AND CITY OF CINCINNATI F.E. INSPECTION (UNDER SEPARATE PERMIT AND DELEGATED DESIGN - NOTED FOR REFERENCE ONLY).
- UPFS/ADA/ANSI-APPROVED MAILBOXES. SURFACE MOUNTED OR RECESSED. SEE PLAN. SURFACE MOUNTED = 48" VERTICAL MAILBOXES. RECESSED = 48" HORIZONTAL. MAILBOXES FOR ACCESSIBILITY AND ARRANGEMENT IN FIELD WITH ARCHITECT AND OWNER.
- NEW STACKED CLOTHES WASHER AND DRYER. SEE APPLIANCE SCHEDULE. PROVIDE PLUMBED WASHER PAN. REFER TO MEP DWGS FOR EXHAUST, PLUMBING, AND ELECTRICAL REQS.
- PRE-FINISHED ALUMINUM DOWNPOUT. COLOR TBD. PROVIDE NEW PVC BOOT AT GRADE. PAINT TO BLEND WITH EXISTING MASONRY WALL. SCOPE EXISTING STORM LINE TO BRUSH WORKINGS CONDITION. REPAIR AS REQD. SEE PLUMBING DWGS FOR ADDITIONAL INFO.
- EXISTING CMU WALL INFILL AND PREVIOUSLY FIELD BASEMENT ENCROACHMENT BELOW SIDEWALK TO REMAIN. VERIFY IN FIELD DURING SIDEWALK REPLACEMENT THAT EXISTING BACKFILL CONFORMS TO DOT REQUIREMENTS. INFILL CONTACT AT EXISTING CONDITIONS ARE FOUND TO DEVIATE FROM ASSUMPTIONS.
- EXISTING BAY WINDOW ABOVE. EVALUATE JOIST FRAMING, CLADDING AND TRIM AT UNDERSIDE. REPAIR AS REQUIRED. FILL JOIST CAVITY WITH BATT INSULATION. PROVIDE SMART VAPOR BARRIER AT UNDERSIDE OF JOISTS. REINSTALL SALVAGED CLADDING AND TRIM OR REPLACE IN KIND WITH NEW, IF STRUCTURE IS FOUND TO BE COMPROMISED. CONTACT ARCHITECT AND STRUCTURAL ENGINEER.
- 20" X 30" LOCKABLE SELF-CLOSING ACCESS PANEL TO CONCEALED SPACE. FIRE-RATED. WHERE OCCURS IN RATED WALL/CEILING. FIRE RATINGS TO MATCH FIRE-RATING OF RATED ASSEMBLY. GALVANIZED METAL TO PREVENT CORROSION IN BASEMENT. INSTALL PER MFR.'S REQUIREMENTS.
- STACKED HVAC UNIT AND WATER HEATER. SEE MEP DRAWINGS. PROVIDE BLOCKING AS REQD.
- SURFACE-MOUNTED INTERCOM WITH REMOTE DOOR RELEASE SYSTEM. DELEGATED DESIGN. COORDINATE INSTALLATION AND LOCATION OF IN-FIELD WITH OWNER AND ARCHITECT. COORDINATE POWER REQS W/ ELECTRICIAN.
- SHELF + CLOTHES HANGING ROD. IN NON-ACCESSIBLE UNITS. PROVIDE WOOD HANGING ROD @ 60" AFF. WITH PAINTED WOOD SHELF ABOVE. IN ACCESSIBLE UNITS. PROVIDE VINYL-COATED WIRE SHELF WITH HANGING ROD MOUNTED ON ADJUSTABLE HEIGHT STEEL BRACKETS @ 48" AFF. PROVIDE BLOCKING AS REQUIRED.
- ROOF HATCH ABOVE. SEE ROOF PLAN AND SPECIFICATIONS FOR ADDITIONAL INFORMATION.
- NEW WOOD POST AND BEAM JOIST SUPPORT. 2-HOUR FIRE-RATED WHERE OCCURS AT SUPPORTING CONSTRUCTION BENEATH 2-HR STAIR ENCLOSURE OR 2-HR FLOOR/CEILING ASSEMBLY ABOVE. SEE DETAILS 3 AND 4/A0.3.0. REFER TO STRUCTURAL DWGS.
- ALIGN EXTERIOR AND INTERIOR FINISHED FLOOR ELEVATIONS AT DOOR THRESHOLD. COORDINATE ELEVATIONS IN FIELD. SEE CIVIL AND STRUCTURAL DRAWINGS. SLOPE EXTERIOR GRADE AWAY FROM DOOR THRESHOLD 1/4" PER FOOT TO SHEED WATER.
- LINE OF LOWERED GYPSUM BD. CEILING / FACE OF EXISTING ABOVE. TYPICAL DROP FOR MEP ROUTING IS 18" FROM HIGH CEILING. UNLESS NOTED OTHERWISE ON PLAN, ABOVE KITCHEN WALL CABINETS PROVIDE 1" DEEP LOWERED CEILING TO TOP OF WALL CABINETS, U.N.O. SEE CEILING HEIGHTS ON PLAN FOR ADDITIONAL INFO.
- EQUALLY SPACED PAINTED WOOD SHELVES. 3/4" BIRCH PLYWOOD W/ 1/2" EDGE TRIM.
- INFILL EXISTING OPENING IN FLOOR STRUCTURE WITH NEW FRAMING TO MATCH EXISTING. NEW FINISHED FLOOR AT AREA OF FLOOR INFILL TO BE FLUSH WITH ADJACENT FINISHED FLOOR. SEE STRUCTURAL DWGS.
- ROUTE SANITARY PLUMBING FROM 2ND FLOOR HORIZONTALLY THROUGH FLOOR-CEILING ASSEMBLY WITHOUT ENTERING FIRE-RATED STAIR ENCLOSURE. CONTACT ARCHITECT IF PROPOSED ROUTING IS NOT FEASIBLE. SEE PLUMBING DRAWINGS.
- 1625 VINE LINES 11.12.02.02. KITCHEN WALL CABINET HEIGHT VARIES AT 7'-0" SLOPED CONDITION AT SLOPED CEILING. REFER TO AB REVISION SERIES FOR INTERIOR ELEVATIONS AND MOPPLY WALL CABINET HEIGHT AS REQUIRED FOR DECREASED SOFFIT HEIGHT. MAINTAIN TYPICAL BACKSPLASH HEIGHT ABOVE COUNTER.
- NEW CONCRETE STAIR AT EXTERIOR ENTRY. 11" TREADS, EQUAL HEIGHT RISERS (17" MAX). SEE STRUCTURAL DWGS. FOR ADDITIONAL INFO AND REINFORCING.
- NEW CONCRETE STAIR AT BASEMENT. 11" TREADS, EQUAL HEIGHT RISERS (17" MAX). SEE STRUCTURAL DWGS. FOR ADDITIONAL INFO AND REINFORCING.
- NEW STEEL COLUMN. SEE STRUCTURAL DRAWINGS.
- SIDE-BY-SIDE WASHER/DRYER. SEE APPLIANCE SCHEDULE. IN ORDER TO MEET ACCESSIBILITY REQUIREMENTS, A 4" RESEP/PEDestal FROM MANUFACTURER MAY BE REQUIRED. PROVIDE PLUMBED WASHER PAN. REFER TO MEP DWGS FOR EXHAUST, PLUMBING, AND ELECTRICAL REQS.
- (D) EACH COMMERCIAL FRONT-LOADING WASHERS AND DRYERS IN COMMERCIAL LAUNDRY ROOM. SEE APPLIANCE SCHEDULE. SEE MEP DRAWINGS.
- LOCATION OF INTERNAL ROOF DRAIN LEADER. EVALUATE CONDITION OF LEADER AND STORM CONNECTION. SCOPE EXISTING BELOW-GRADE STORM LINES. REPAIR/REPLACE AS REQUIRED. SEE PLUMBING DRAWINGS.

NEW WORK PLAN KEYNOTES

- EXISTING STONE STEPS TO REMAIN.
- EQUALLY SPACED, VINYL-COATED WIRE SHELVES ON WALL-MOUNTED ADJUSTABLE STEEL BRACKETS. PROVIDE BLOCKING AS REQUIRED.
- LOCATION OF WALL-MOUNTED DOOR OPERATOR BUTTON FOR SECURITY GATE @ 48" MAX AFF. DOOR OPERATOR IS FED TO REMOIE ACCESS CONTROL SYSTEM. COORDINATE EXACT LOCATION IN FIELD W/ OWNER AND ARCHITECT. COORDINATE ELECTRICAL POWER AS REQUIRED.
- 6" HIGH ALUMINUM PICKET FENCE WITH LOCKABLE GATE. COORDINATE EXACT LOCATION IN FIELD AND WITH ADJACENT PROPERTY OWNER TO AVOID OBSTRUCTING WINDOWS, INCLUDING WINDOWS OF THE ADJACENT BUILDING. SEE CIVIL DRAWINGS.
- EXISTING CONCRETE RAMP AT ADJACENT BUILDING TO REMAIN - SHOWN FOR REFERENCE. PROTECT DURING CONSTRUCTION. GC SHALL COORDINATE WORK IN SHARED PASSAGEWAY WITH ADJACENT PROPERTY OWNER.
- HVAC CHASE FROM BASEMENT TO 1ST FLOOR. SEE MEP DRAWINGS. SEE STRUCTURAL DWGS FOR OPHG.
- MODIFY EXISTING FIRE ESCAPE LADDER AS REQUIRED TO ACCOMMODATE NEW SLAB ELEVATION. CLEAN AND PAINT. GC IS RESPONSIBLE FOR FIRE ESCAPE INSPECTION AND REPAIR PER CITY OF CINCINNATI (SEPARATE PERMIT).
- FUTURE HOOD EXHAUST AND MAKE-UP AIR FOR 1ST FLOOR COMMERCIAL SPACE UNDER SEPARATE PERMIT - SHOWN FOR REFERENCE ONLY. SEE MEP AND STRUCTURAL DRAWINGS FOR ADDITIONAL REFERENCE INFORMATION.
- SINK: IN "ANSI TYPE A" MOBILITY UNITS. PROVIDE ACCESSIBLE SINK BASE W/ REMOVABLE FRONT. MIN. 30" WIDE CLEAR OPEN SPACE AT SINK WITH ANSI A117.1 COMPLIANT KNEE AND TOE CLEARANCE. FLOOR FINISH AND WALL FINISH TO EXTEND UNDER AND BEHIND CABINETS. 34" MAX. COUNTER HEIGHT. TYP. SEE INTERIOR ELEVATIONS AND PLUMBING DRAWINGS FOR ADDITIONAL INFO.
- KITCHEN WORK SURFACE IN "ANSI TYPE A" MOBILITY UNITS. PROVIDE CONCRETE WORK SURFACE IN KITCHEN W/ 30" WIDE CLEAR FLOOR SPACE. PROVIDE FINISHED END PANELS @ EXPOSED SIDES. 34" MAX. COUNTER HEIGHT. TYP. FLOOR FINISH AND WALL FINISH TO EXTEND UNDER & BEHIND CABINETS. SEE INTERIOR ELEVATIONS ON SHEET A3.0.
- LINE OF EXTERIOR MASONRY WALL ABOVE. SHOWN FOR REFERENCE. SUPPORTING CONSTRUCTION IS TO BE HIGHER AND INDIVIDUALLY ENCASED. STEEL BEAMS ASSUMED - SEE DETAIL 1/A0.3.0 FOR RATING. CONTACT ARCHITECT IF EXISTING CONDITIONS VARY FROM THESE ASSUMPTIONS.
- CONCRETE WORK SURFACE WITH DOOR CLEARANCE AREA TO BE 1/4" PER FOOT TO DRAIN WATER. SEE CIVIL DRAWINGS FOR ADDITIONAL GRADING INFORMATION.
- USPS/ADANSI APPROVED RESIDENTIAL STYLE EXTERIOR GRADE SURFACE-MOUNTED LOCKABLE MAILBOX. MOUNT 50 RE 64" MAX ABOVE GRADE. COORDINATE QUANTITIES AND ARRANGEMENT IN FIELD WITH ARCHITECT AND OWNER.
- EXISTING MASONRY SITE PARTY WALL TO REMAIN. PROVIDE NEW ALUMINUM CORNING. SEE SPECIFICATIONS.
- NEW FLOOR DRAIN. REFER TO PLUMBING DRAWINGS FOR ADDITIONAL INFORMATION AND FOR ADDITIONAL FLOOR DRAIN LOCATIONS NOT ILLUSTRATED ON THESE PLANS.
- NEW OR EXISTING CURBS. SEE EXTERIOR ELEVATIONS AND STRUCTURAL DWGS.
- EXISTING 1-HR FIRE-RATED WALL (UL 340) TO REMAIN. CONTRACTOR TO VERIFY THAT EXISTING FINISHES IN THE FIELD AND NECESSARY REPAIRS / MODIFICATIONS (WHERE REQUIRED) ALIGN WITH THE UL LISTING.
- EXISTING 1-HR FIRE-RATED WALL (IGA FILE NO. WF 1072) TO REMAIN. CONTRACTOR TO VERIFY THAT EXISTING FINISHES IN THE FIELD AND NECESSARY REPAIRS (WHERE REQUIRED) ALIGN WITH THE UL LISTING AND THAT EXIST. WALL IS CONTINUOUS TO UNDERSIDE FLOOR SHEATHING ABOVE.
- NEW HVAC UNIT SERVING COMMERCIAL SPACE ABOVE. REFER TO MEP DWGS.
- NEW WATER HEATER. REFER TO MEP DWGS.
- INFILL HISTORIC DOOR OPENING PER WALL TYPE SHOWN ON PLAN. PROVIDE PRIME AND PAINTED DOOR TRIM (SALVAGED) OR NEW TRIM TO MATCH ADJACENT STAIRWALL DOORS) AT STAIRWALL SIDE ONLY TO SHOW OUTLINE OF PREVIOUS DOOR LOCATION.
- NEW CONCRETE FOOTING AT NEW STRUCTURE. FOOTING TO BE FLUSH WITH EXISTING FLOOR SLAB. TYP. COORDINATE EXACT LOCATION IN FIELD. SEE STRUCTURAL DRAWINGS FOR ADDITIONAL INFORMATION.
- WITH EXIST. SLOPED CEILING PORTION OF BUILDING. HOLD NEW SOFFITS / DROPPED CLGS AS HIGH AS POSSIBLE (7'-0" MIN. CLR. HEIGHT). DROPPED CEILINGS TO BE FLAT (NOT SLOPED). REFER TO MEP DWGS.
- CENTRINE OF NEW LINTEL / BEAM ABOVE. SEE STRUCTURAL DRAWINGS.
- NEW WOOD POST AND BEAM (ABOVE). SEE STRUCTURAL DRAWINGS.
- LOW WALL W/ PAINTED 1" THICK WOOD CAP TO CONCEAL PLUMBING. MATCH HEIGHT OF STOREFRONT WALL SILL. KEEP TO MINIMUM SLICE (COORD. IN FIELD).



FOURTH FLOOR NEW WORK PLAN

A3.4 1/4" = 1'-0"

NOT FOR CONSTRUCTION

CITY STUDIOS ARCHITECTURE
1148 Main Street
Cincinnati, OH 45202
ph. 513.621.0750
citystudiosarch.com

advantage
1527 Madison Road
Cincinnati, OH 45206
513.386.8900
www.advantage5.com

VIOS&VIOS
2100 W. Chester Ave. Suite 111
Cincinnati, OH 45239
513.836.3810

PE Services
1-913-836-3810
9 North Broadway
Lebanon, OH 45046
513-836-3810

RUSS ALLEY
1623 - 1625 VINE STREET, 1624 REPUBLIC STREET
(1625 VINE HPTC APPLICATION)
CINCINNATI, OH 45202

3CDC CINCINNATI DEVELOPMENT CORPORATION

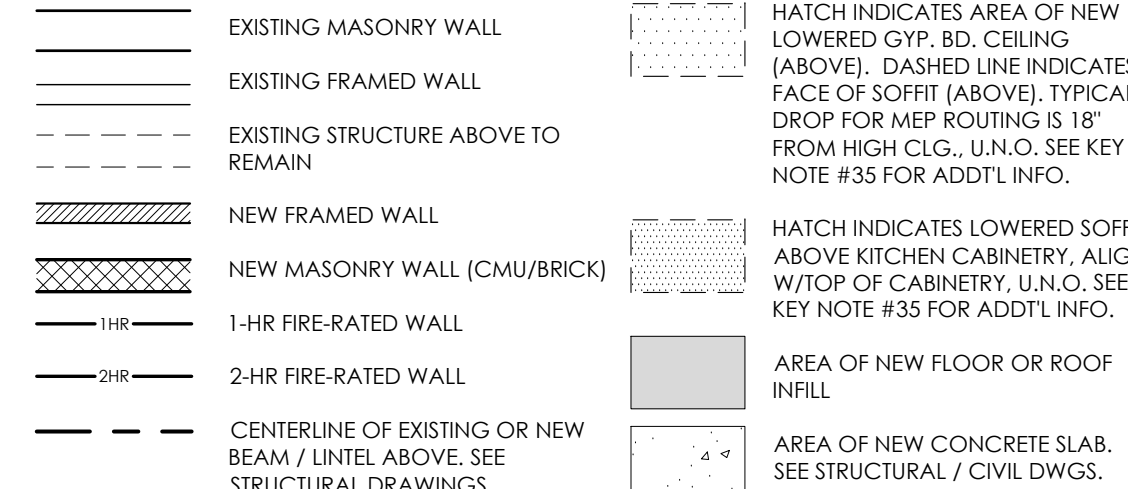
ISSUE LOG:
06.02.2023
ISSUE FOR PERMIT
07.14.2023
PERMIT REVISION 1
09.21.2023
OHFA PRELIM. SUBMISSION

FOURTH FLOOR
NEW WORK PLAN

A3.4

PRELIMINARY:
NOT FOR CONSTRUCTION

NEW WORK PLAN GRAPHIC KEY



(X) HISTORIC KEYNOTES

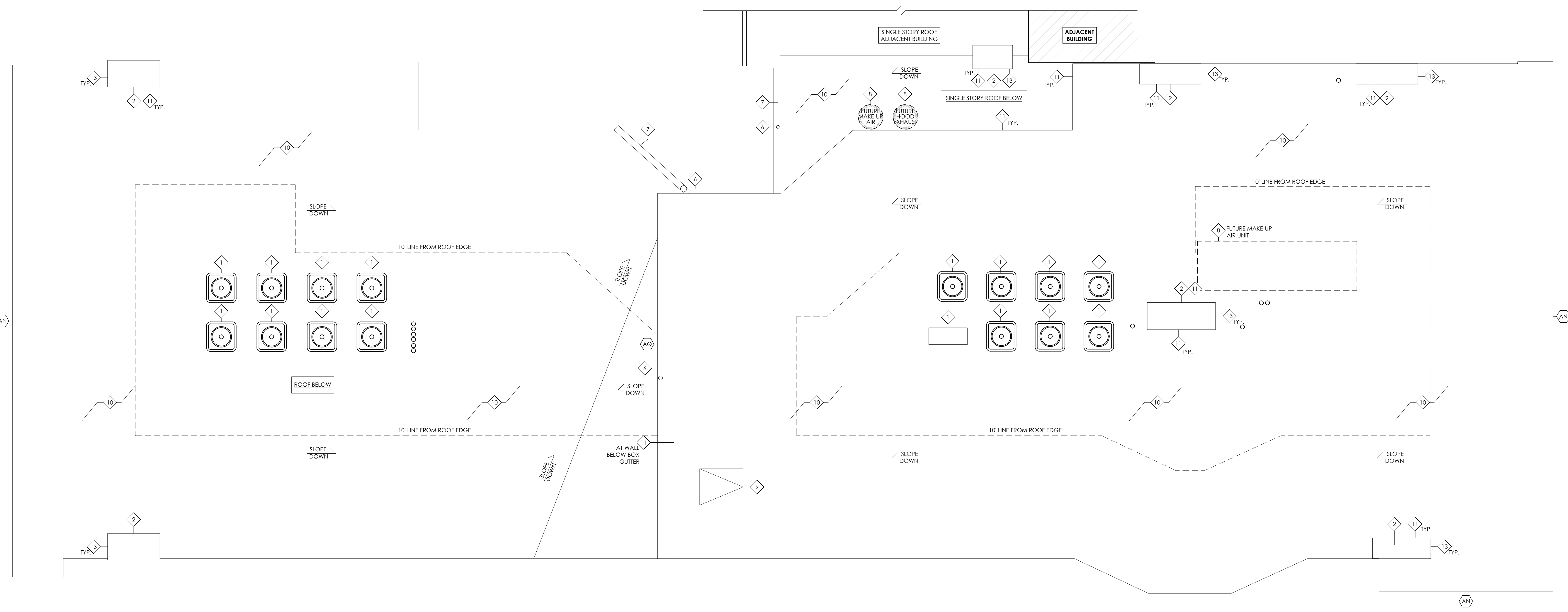
- REFERS TO DOOR AND WINDOW TAGS ON NEW WORK PLANS AND TO DOOR AND WINDOW SCHEDULES ON SHEETS A0.4 AND A0.5 FOR DETAILED SCOPE OF WORK AT HISTORIC DOOR AND WINDOW OPENINGS.
- IF NOTE OCCURS AT CENTER OF ROOM, NOTE APPLIES TO ALL WALLS, U.N.O.
- A. BRICK TO REMAIN EXPOSED WHERE NO PLASTER IS PRESENT. PROVIDE MASONRY CONSOLIDATOR, PRIME AND PAINT WHERE PREVIOUSLY PAINTED.
- B. REMOVE AND SALVAGE HISTORIC METAL STAMPED CEILING PANELS AND CROWN MOULDING FOR REINSTALLATION OVER FIRE-RATED CEILING. SEE NEW WORK PLANS FOR LOCATION OF EXISTING CEILING.
- C. NOT USED
- D. NOT USED
- E. EXISTING HISTORIC WOOD BASEBOARD TO REMAIN IN PLACE. REPAIR TO MATCH EXISTING WHERE DAMAGED OR DETERIORATED AND PAINT.
- F. REMOVE AND SALVAGE EXISTING HISTORIC WOOD BASEBOARD FOR REINSTALLATION WHERE WALL IS TO BE FURRED OUT FOR THERMAL INSULATION OR WHERE PLASTER IS TO BE REMOVED TO IMPROVE FIRE RESISTANCE RATING (SEE WALL TYPES AND NEW WORK PLANS FOR ADDITIONAL INFORMATION). REINSTALL SALVAGED HISTORIC BASEBOARD OVER NEW GYPSUM BOARD. REPAIR, PRIME AND PAINT.
- G. REMOVE EXISTING HISTORIC BASEBOARD REMNANTS.
- H. HISTORIC WOOD BEADBOARD WAINSCOT AND CHAIR RAIL TO REMAIN - REPAIR AND PAINT. WHERE DETERIORATED OR MISSING PROVIDE NEW TO MATCH - PAINT.
- I. REMOVE EXISTING HISTORIC WOOD BEADBOARD WAINSCOT AND CHAIR RAIL. SALVAGE FOR RELOCATION. INSTALL AT STAIRWELL WALLS NOW EXPOSED BY SHAFT WALL DEMOLITION - SEE NEW WORK PLANS. REPAIR, PRIME, PAINT.
- J. REMOVE EXISTING HISTORIC CROWN MOULDING REMNANTS.
- K. EXISTING HISTORIC MANTEL AND HEARTH (WHERE OCCURS) TO REMAIN IN PLACE. CLEAN AND REPAIR AS REQ'D. PROVIDE NEW PAINT AT MANTEL WHERE PREVIOUSLY PAINTED. PROVIDE NEW STAIN AT MANTEL WHERE PREVIOUSLY STAINED.
- L. HISTORIC WOOD FLOORING TO REMAIN. PATCH ALL DAMAGED, DETERIORATED, OR MISSING BOARDS. REFINISH. SEE FINISH SCHEDULE ON A0.2 FOR ADDITIONAL INFO.
- M. EXISTING HISTORIC MOSAIC TILE FLOORS TO REMAIN IN PLACE. REPAIR AS REQ'D. SEE FINISH SCHEDULE ON A0.2.
- N. EXISTING WOOD FLOORING TO BE CONCEALED BY NEW FINISH FLOORING AS INDICATED ON FINISH SCHEDULE. SEE A0.2 FOR ADDITIONAL INFO.
- O. REMOVE EXISTING HISTORIC METAL FLOOR GRATE AND SALVAGE FOR REINSTALLATION AT EXISTING LOCATION ABOVE NEW FLOOR INFILL. GRATE SHALL BE FLUSH WITH NEW FLOORING.
- P. CONTEMPORARY VINYL FLOORING AND LITAN SUBSTRATE TO BE CAREFULLY REMOVED TO EXPOSE EXISTING HISTORIC WOOD FLOORING. PATCH ALL DAMAGED, DETERIORATED, OR MISSING BOARDS. REFINISH. SEE FINISH SCHEDULE ON A0.2 FOR ADDITIONAL INFO.
- Q. EXISTING HISTORIC STAIR: NEWEL POSTS, NEWEL POST CAPS, BALUSTRADES, AND HANDRAILS (WHERE OCCURS) TO REMAIN. REPAIR OR REPLACE DAMAGED / DETERIORATED / MISSING STAIR COMPONENTS TO MATCH EXIST. PAINT.
- R. EXISTING HISTORIC SKYLIGHT TO REMAIN. REPAIR AND REGLAZE AS REQUIRED. SEE STRUCTURAL DWGS. HISTORIC WOOD BEADBOARD SURROUND TO REMAIN. REPAIR AS REQ'D - PAINT.
- S. HISTORIC WOOD BEADBOARD SURROUND AT ABANDONED, INFILLED, SKYLIGHT TO REMAIN. REMOVE, SALVAGE, AND REINSTALL OR REPLICATE HISTORIC BEADBOARD SURROUND AS REQ'D TO FIRE-RATE SURROUNDING BEAMS. PAINT.
- **COMING LETTERS IN "WINDOW" CATEGORY WITH NUMBERS OF "WINDOW TRIM" CATEGORY**
- T. REMOVE NON-HISTORIC WINDOW. HISTORIC WOOD WEIGHT BOX AND BRICK MOULD TO REMAIN. INSTALL NEW WINDOW WITHIN WEIGHT BOX. REPLACE DETERIORATED HISTORIC WOOD BRICK MOULD TO MATCH HISTORIC PROFILE IF REQUIRED. PAINT.
- U. PROVIDE NEW CUSTOM WOOD WINDOW AND BRICKMOULD TO MATCH EXISTING ADJACENT HISTORIC WINDOW. INSTALLATION TO MATCH HISTORIC INSTALLATION - PAINT.
- V. REMOVE NON-HISTORIC WINDOW OR INFILL (WHERE OCCURS) BACK TO HISTORIC ROUGH MASONRY OPENING, INCLUDING BLOCKING, WEIGHT BOXES, AND BRICK MOULD (WHERE PRESENT). INFILL PER NEW WORK PLANS. EXISTING EXTERIOR HEADER AND SILL TO REMAIN. REFER TO NEW WORK PLANS.
- W. EXISTING HISTORIC WOOD WINDOW AND ALL ASSOCIATED WINDOW COMPONENTS TO REMAIN. REPAIR TO AN OPERABLE CONDITION - PAINT. INSTALL NEW EXTERIOR STORM WINDOW (WHERE APPLICABLE).

NEW WORK ROOF PLAN GENERAL NOTES

- 1. REFER TO "NEW WORK PLAN GENERAL NOTES" ON NEW WORK FLOOR PLAN SHEETS FOR ADDITIONAL CONSTRUCTION NOTES.
- 2. SEE MECHANICAL AND PLUMBING DRAWINGS FOR LOCATIONS OF ALL ROOF EXHAUST AND PLUMBING VENTS(S). PROVIDE FLASHING AS REQUIRED PER ROOFING MANUFACTURER'S INSTRUCTIONS.
- 3. ALL ROOF DETAILS, INCLUDING BUT NOT LIMITED TO ROOF EDGE TERMINATIONS, SHALL BE IN ACCORDANCE WITH ROOFING MFR'S DETAILS, RECOMMENDATIONS, AND REQUIREMENTS.
- 4. ALL CHIMNEYS & ASSOCIATED ELEMENTS ARE TO REMAIN, U.N.O. PROVIDE BRICK REPAIRS AS REQUIRED AND CAP IF NOT ALREADY CAPPED.
- 5. PROVIDE SELF-ADHERING, POLYMER-MODIFIED BITUMEN SHEET (ICE AND WATER SHIELD) FOR FIRST 3'-0" MINIMUM OF ROOF AND AT ALL VALLEYS. OVERLAP WITH GUTTER FLASHING.
- 6. REPLACE DETERIORATED ROOF SHEATHING WHERE OCCURS (VF PRIOR TO INSTALLING NEW ROOFING). IF DETERIORATED ROOF SHEATHING IS DISCOVERED AND MUST BE REPLACED WITHIN 4' OF AN INTERIOR LOT LINE, PROVIDE F.R.T. PLYWOOD SHEATHING.
- 7. **ROOF VENTS:** WHERE AN UNOCCUPIED ATTIC SPACE OCCURS BENEATH THE ROOF, PROVIDE VENTILATION AS FOLLOWS:
 - FREE AREA VENTED SHALL BE 1/50 OF FLOOR AREA VENTED AT LOW SLOPE ROOFS.
 - FREE AREA VENTED SHALL BE 1/300 OF FLOOR AREA VENTED AT PITCHED ROOFS AND MUST MEET THE FOLLOWING REQUIREMENTS:
 - AT LEAST 40 PERCENT AND NOT MORE THAN 50 PERCENT OF THE REQUIRED VENTING AREA SHALL BE PROVIDED BY VENTILATORS LOCATED IN THE UPPER PORTION OF THE ATTIC OR RAFTER SPACE.
 - UPPER VENTILATORS SHALL BE LOCATED NOT MORE THAN 3 FEET BELOW THE RIDGE OR HIGHEST POINT OF THE SPACE, MEASURED VERTICALLY.
 - THE BALANCE OF THE VENTILATION SHALL BE PROVIDED BY EAVER VENTS OR VENTS WITHIN 3 FEET OF THE EAVER.

NEW WORK ROOF PLAN KEYNOTES

- 1. LOCATION OF ROOFTOP MECHANICAL EQUIPMENT. SHOWN FOR REFERENCE - SEE MECH. DRAWINGS. PROVIDE SACRIFICIAL LAYER OF ROOF MEMBRANE BENEATH FEDESTALS. SEE STRUCT DWGS FOR ROOF STRUCTURE REINFORCEMENT, WHERE APPLICABLE.
- 2. EXISTING CHIMNEY TO BE CAPPED, IF NOT ALREADY CAPPED (V.F.). PROVIDE PRE-FINISHED ALUMINUM CAP. SLOPED TO SHED WATER.
- 3. EXISTING BRICK PARAPET WALL WITH HISTORIC TERRA COTTA COPING TO REMAIN, RESET IF REQUIRED. TERMINATE ROOF PER MFR'S REQUIREMENTS.
- 4. THERMALLY BROKEN ROOF HATCH IN NEW OR EXISTING FRAMED OPENING. WHERE HATCHES OCCUR IN NEW FRAMED OPENINGS, SEE REF X-46. PROVIDE DEADEND COUNTER LOCK. PROVIDE CROCKET TO DRAIN WATER AWAY FROM HATCH. FLASH AS REQUIRED. INSTALL PER MFR'S INSTRUCTIONS AND PER ROOF MFR'S REGS. SEE STRUCT DWGS.
- 5. 42" HIGH GALVANIZED STEEL GUARDRAIL W/ CROSS RAIL MID-HEIGHT TO PREVENT PASSAGE OF 21" DIA. SPHERE. PAINT TO MATCH SHINGLES. DELEGATED DESIGN - SEE STRUCT DWGS FOR DESIGN LOADS.
- 6. PRE-FINISHED ALUMINUM DOWNSPOUT. COLOR TBD. PROVIDE NEW CAST-IRON BOOT AT GRADE. PAINT TO BLEND WITH EXISTING MASONRY WALL. EXTEND BOOT 6" ABOVE GRADE. SCOPE EXISTING STORM LINES TO ENSURE WORKING CONDITION. REPAIR AS REQ'D. SEE PLUMBING DWGS FOR ADDITIONAL INFO.
- 7. PRE-FINISHED ALUMINUM HUNG GUTTER. COLOR TBD.
- 8. LOCATION OF FUTURE HVAC EQUIPMENT FOR 1ST FLOOR COMMERCIAL SPACE. SHOWN FOR REFERENCE ONLY. TO BE UNDER FUTURE. SEPARATE PERMIT APPLICATION.
- 9. EXISTING ROOF HATCH TO REMAIN IN EXISTING OPENING. EVALUATE CONDITION. REPAIR/REPLACE AS REQ'D. PROVIDE NEW FLASHING AND TIE-IN TO NEW ROOF AS REQUIRED.
- 10. NEW ROOFING: FULLY ADHERED WHITE TPO MEMBRANE. INSTALL PER MFR. DETAILS. INSPECT EXISTING ROOF SHEATHING AND REPLACE WHERE DETERIORATED.
- 11. TURN TPO ROOFING UP AT VERTICAL SURFACES AND TERMINATE PER ROOFING MFR. INSTRUCTIONS. TYPICAL. PROVIDE COUNTER FLASHING PER ROOFING MFR INSTRUCTIONS. AT SLOPED ROOF SURFACES, PROVIDE STEPPED COUNTER FLASHING PER SMACNA STANDARDS. TYP. EMBED COUNTER FLASHING 1" MIN. INTO BRICK JOINT.
- 12. PROVIDE FIELD FABRICATED EXPANSION JOINT AND ROOF TERMINATION IN ACCORDANCE WITH ROOFING MFR'S DETAILS AT INTERSECTION OF ROOF AND ADJACENT BUILDING WALL.
- 13. PROVIDE CRACKERS AS REQUIRED TO MAINTAIN ROOF DRAINAGE TOWARDS GUTTERS. TYPICAL.
- 14. INFILL EXISTING OPENING IN ROOF STRUCTURE WITH NEW FRAMING AND ROOF SHEATHING. SEE STRUCTURAL DRAWINGS.
- 15. EXISTING METHOD OF ROOF DRAINAGE ON THIS SECTION OF ROOF IS UNKNOWN, AND MUST BE DETERMINED IN THE FIELD. INVESTIGATE EXISTING CONDITIONS, AND CONTACT ARCHITECT AFTER DEMOLITION. THE ROOF MAY BE CONNECTED TO INTERNAL ROOF DRAINS, OR EXTERNAL DOWNSPOUTS. AFTER INVESTIGATION, PROVIDE NEW GUTTER, DOWNSPOUT, ROOF DRAIN, ETC. AS REQUIRED.
- 16. PROVIDE AN ALTERNATE PRICE TO REPLACE EXISTING SKYLIGHT WITH A NEW THERMALLY BROKEN ALUMINUM SKYLIGHT W/ INSULATED GLASS. SEE SPECIFICATIONS. SEE HISTORIC KEYNOTE ON SKYLIGHT FOR ADDITIONAL INFO.
- 17. 3" CLEAR WALKING PATH BETWEEN MECHANICAL UNITS.
- 18. COORDINATE MINIMUM CLEARANCES AROUND MECHANICAL UNITS IN ACCORDANCE WITH OMC AND MANUFACTURER'S REQUIREMENTS.



ROOF NEW WORK PLAN
 1/4" = 1'-0"



NOT FOR CONSTRUCTION

CITYSTUDIOS ARCHITECTURE
 1148 Main Street
 Cincinnati, OH 45202
 ph. 513.621.0750
 citystudiosarch.com

advantage
 11500 MAIN STREET
 1527 Madison Road
 Cincinnati, OH 45206
 513.386.8900
 www.advantageSE.com

VIQX&VIQX
 11500 MAIN STREET
 1527 Madison Road
 Cincinnati, OH 45206
 513.386.8900
 www.viqxandviqx.com

PE Services
 1-513-836-3810
 9 North Broadway
 Lebanon, OH 45046
 513-836-3810

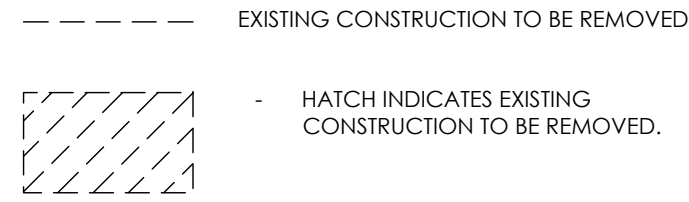
RUSS ALLEY
 1623 - 1625 VINE STREET, 1624 REPUBLIC STREET
 (1625 VINE HPTC APPLICATION)
 CINCINNATI, OH 45202

3CDC CINCINNATI CENTER CITY DEVELOPMENT CORPORATION

ISSUE LOG:
 06.02.2023 ISSUE FOR PERMIT
 07.14.2023 PERMIT REVISION 1
 09.21.2023 OHFA PRELIM. SUBMISSION

ROOF NEW WORK PLAN
A3.6
 PRELIMINARY:
 NOT FOR CONSTRUCTION

DEMOLITION ELEVATION GRAPHIC KEY



DEMOLITION ELEVATION HISTORIC NOTES

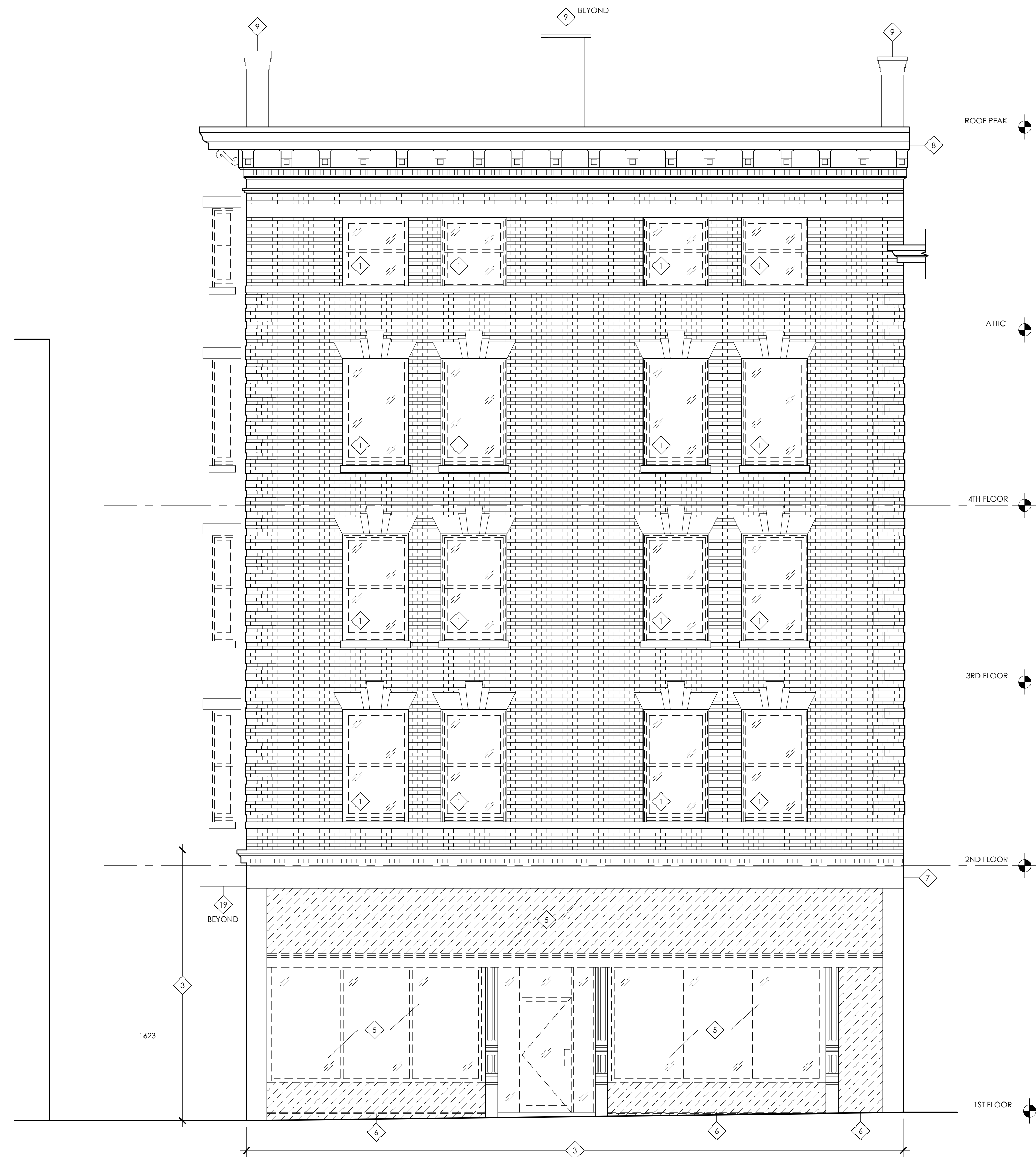
- REFER TO APPROVED HISTORIC PRESERVATION CERTIFICATION APPLICATION PART 2 AND SPECIFICATIONS FOR MASONRY AND STONE REPAIR AND CLEANING.
- EXISTING UNPAINTED BRICK AND STONE TO REMAIN UNPAINTED. EXISTING PAINTED BRICK AND STONE TO BE REPAINTED.
- HISTORIC WINDOW SHUTTER HARDWARE SHOULD REMAIN (EVEN IS SHUTTER WAS PREVIOUSLY REMOVED).

DEMOLITION ELEVATION GENERAL NOTES

- ALL DASHED ELEMENTS TO BE REMOVED. U.N.O. CONSULT ARCH. FOR CLARIFICATION IF NOTATIONS AND GRAPHICS CONFLICT, OR IF INTENT IS UNCLEAR.
- ALL EXISTING STRUCTURAL ELEMENTS, INCLUDING THE HISTORIC MASONRY BEARING WALLS, ARE TO REMAIN, U.N.O., G.C. TO PROVIDE ANY TEMPORARY SHORING REQ'D.
- REMOVE ALL GRAFFITI PER SPECIFICATION.
- REMOVE ALL CRACKED, DETERIORATED OR SPALLED BRICK UNITS AND RAKE OUT ALL DETERIORATED MORTAR JOINTS IN PREPARATION FOR MASONRY RESTORATION. EXERCISE CARE AS NOT TO DAMAGE ADJACENT MASONRY TO REMAIN. VERIFY SECURE ATTACHMENT OF EXISTING STONE ELEMENTS. REFER TO NEW WORK ELEVATIONS AND STRUCTURAL DWGS.
- COORDINATE WITH MECHANICAL, ELECTRICAL, AND PLUMBING DRAWINGS FOR NEW PENETRATIONS (NEW PENETRATIONS FOR CONDUIT, DUCTS, PIPES, ETC. ARE NOT ILLUSTRATED ON THESE DRAWINGS).
- REMOVE ALL EXISTING ABANDONED CORNICE, DOWNSPOUTS, DUCTS, PIPES, LIGHTING FIXTURES, MECHANICAL EQUIPMENT, LOUVERS, VENTS, AND ALL ASSOCIATED FASTENERS FROM EXTERIOR WALL SURFACES. COORDINATE WITH MEP DWGS.
- REMOVE ALL ALGAE, MOSS, IVY AND ANY SIMILAR PLANT GROWTH FROM EXISTING EXTERIOR WALL SURFACES.
- EXISTING FIRE ESCAPE TO REMAIN. GENERAL CONTRACTOR SHALL BE RESPONSIBLE FOR FIRE ESCAPE EXAMINATION INSPECTION AND REPAIRS PER CITY OF CINCINNATI. CLEAN AND PAINT.
- HISTORIC STONE LINTELS AND SILLS ARE TO REMAIN. REMOVE ALL CRACKED LINTELS IN PREPARATION FOR NEW CAST STONE LINTEL. REFER NEW WORK ELEVATIONS AND STRUCTURAL DRAWINGS. VERIFY THE CONDITION OF ALL WOOD LINTELS AND NOTIFY ARCHITECT/STRUCTURAL ENGINEER OF DETERIORATION.
- ALL CHIMNEYS & ASSOCIATED ELEMENTS ARE TO REMAIN, U.N.O. VERIFY STRUCTURAL INTEGRITY IN FIELD - SEE NOTES ON STRUCTURAL DWGS.
- ALL HISTORIC CAST IRON, STONE, AND WOOD STOREFRONT ELEMENTS TO REMAIN.
- ALL HISTORIC ROOF CORNICHE ELEMENTS TO REMAIN.
- ALL HISTORIC STONE BANDING TO REMAIN.
- REMOVE ALL TEMPORARY BARRICADES FROM DOORS, STOREFRONTS, AND WINDOWS. REMOVE ALL STEEL SECURITY GRILLES OR BARS. NOTE: HISTORIC WINDOW SHUTTER HARDWARE SHOULD REMAIN.
- ALL HISTORIC CAST IRON, STONE, AND WOOD STOREFRONT ELEMENTS TO REMAIN.
- COORDINATE ANY NEW MASONRY OPENINGS WITH NEW WORK PLANS. SALVAGE BRICKS FROM NEW OPENINGS FOR REPAIR / REUSE. TOOTH OUT BRICK AT JAMBS AND USE SALVAGED BRICK FOR KEYING IN AT JAMBS. REFER TO STRUCTURAL DWGS.

DEMOLITION ELEVATION KEYNOTES

- REMOVE NON-HISTORIC WINDOW. HISTORIC WOOD WEIGHT BOX AND BRICK MOULD TO REMAIN. SEE WINDOW SCHEDULE AND DETAILS.
- REMOVE DETERIORATED HISTORIC WOOD WINDOW AS REQUIRED TO INSTALL NEW WOOD WINDOW. SEE WINDOW SCHEDULE AND DETAILS.
- HISTORIC CAST IRON OR STONE STOREFRONT ELEMENTS TO REMAIN.
- EXISTING CAST IRON OR STONE CURB TO REMAIN.
- REMOVE NON-HISTORIC INFILL FROM STOREFRONT. PROVIDE TEMPORARY SHORING.
- EXISTING STONE OR CAST IRON CURB (WHERE OCCURS) TO REMAIN UNLESS DETERIORATED BEYOND REPAIR. IF REPLACEMENT IS NECESSARY, REMOVE STONE OR CAST IRON CURB DOWN TO SERVICEABLE FOUNDATION WALL BELOW. PREPARE TOP OF EXISTING FOUNDATION WALL TO RECEIVE NEW CONCRETE CURB, IF REQUIRED FOR NEW SIDEWALK WORK OR ACCESSIBLE ENTRANCE. SEE STRUCTURAL.
- HISTORIC CAST IRON OR STONE STOREFRONT LINTEL TO REMAIN.
- HISTORIC STONE/METAL ROOF CORNICHE/BANDINGS, BRACKETS AND MOULDING TO REMAIN.
- EXISTING MASONRY CHIMNEY TO REMAIN.
- EXISTING HISTORIC WOOD TRANSOM BAR AND WOOD BRICK MOULD TO REMAIN. REMOVE NON-HISTORIC ENTRY DOOR AND INFILL.
- HISTORIC WOOD BRICK MOULD TO REMAIN. REMOVE NON-HISTORIC INFILL.
- HISTORIC WOOD SHUTTERS TO BE REMOVED AND SALVAGED FOR REINSTALLATION. EXISTING EXPOSED HARDWARE TO REMAIN. CLEAN AND PAINT.
- REMOVE EXISTING INFILL IN HISTORIC MASONRY OPENING. EXISTING INTERIOR WINDOW TRIM TO REMAIN IF PRESENT.
- REMOVE RAKE BOARD IF DETERIORATED.
- EXISTING F.E. TO REMAIN. GENERAL CONTRACTOR SHALL BE RESPONSIBLE FOR FIRE ESCAPE EXAMINATION INSPECTION AND REPAIRS PER CITY OF CINCINNATI. CLEAN AND PAINT.
- REMOVE EXISTING GRAFFITI OR MISC. PAINT. SEE SPECIFICATION. EXERCISE CAUTION SO AS NOT TO DAMAGE HISTORIC MASONRY.
- REMOVE EXISTING GRATE/INFILL AT EXISTING BASEMENT WINDOW WELL.
- HISTORIC BOX GUTTER TO REMAIN.
- REMOVE UNDERSIDE OF BAY ENOUGH FOR ARCHITECT AND STRUCTURAL ENGINEER TO INSPECT FLOOR STRUCTURE.
- EXISTING NON-HISTORIC DOOR / WINDOW INFILL TO REMAIN. GENERAL CONTRACTOR SHALL VERIFY INTEGRITY OF EXISTING INFILL.
- REMOVE EXISTING CONCRETE SLAB TO ACCOMMODATE NEW ACCESSIBLE WALKWAY. SEE STRUCTURAL DIAGRAM.
- REMOVE EXISTING DOWNSPOUT.
- REMOVE EXISTING GUTTER.
- REMOVE PORTION OF EXIST. FIRE ESCAPE. SEE DEMO AND NEW WORK PLANS.
- REMOVE EXISTING FENCE, GATE, ASSOCIATED HARDWARE AND FOUNDATIONS.
- PROVIDE NEW MASONRY OPENING FOR NEW DOOR AT EXISTING WINDOW OPENING. SEE NEW WORK PLANS AND ELEVATIONS AND STRUCTURAL DRAWINGS.
- REMOVE EXIST DETERIORATED CONC. SLAB. SEE STRUCTURAL DRAWINGS.
- EXIST. HISTORIC WOOD WINDOW OR TRANSOM TO REMAIN.
- REMOVE EXIST. ONE-STORY ADDITION IN ITS ENTIRETY. SEE NEW WORK PLANS AND STRUCTURAL DRAWINGS.
- REMOVE EXISTING STONE/CONCRETE DETERIORATED STEPS. SEE CIVIL DRAWINGS, NEW WORK PLANS AND STRUCTURAL DRAWINGS.
- EXIST. HISTORIC INFILL OR WINDOW. PREP FOR MASONRY INFILL.
- EXIST. STEEL HOIST BEAM TO REMAIN.
- EXIST. HISTORIC WOOD DOORS TO REMAIN.
- EXIST. MASONRY PARAPET W/ TERRA COTTA COPING CAP TO REMAIN. RESET CAP IF REQUIRED.
- EXIST. STEEL GATE AND FRAME TO BE REMOVED.
- EXISTING WOOD CEILING ABOVE TO REMAIN. REPAIR AS REQ'D. PAINT.
- EXISTING DETERIORATED STEEL TO BE REMOVED. PROVIDE TEMPORARY SHORING AT WALL ABOVE. SEE STRUCTURAL DWGS.



1
A5.0
1/4" = 1'-0"

DEMOLITION EAST EXTERIOR ELEVATION - VINE STREET



NOT FOR
CONSTRUCTION

CITYSTUDIOS
ARCHITECTURE
1148 Main Street
Cincinnati, OH 45202
ph. 513.621.0750
citystudiosarch.com

advantage
STRUCTURAL ENGINEERS
1527 Madison Road
Cincinnati, OH 45206
513.386.8900
www.advantageSE.com

VIOX&VIOX
AN ENVIRONMENTAL AND LABORATORY GROUP
1600 North Shoreline Drive, Suite 1111
Cincinnati, OH 45219
www.vioxandviox.com

PE Services
1-513-836-3810
9 North Broadway
Lebanon, OH 45046
513-836-3810

RUSS ALLEY
1623 - 1625 VINE STREET, 1624 REPUBLIC STREET
(1625 VINE HPTC APPLICATION)
CINCINNATI, OH 45202

3CDC CINCINNATI
CENTER CITY
DEVELOPMENT
CORPORATION

ISSUE LOG:
06.02.2023
ISSUE FOR PERMIT
07.14.2023
PERMIT REVISION 1
09.21.2023
OHFA PRELIM. SUBMISSION

DEMOLITION
EAST EXTERIOR ELEVATION

A5.0

PRELIMINARY:
NOT FOR CONSTRUCTION

DEMOLITION ELEVATION GRAPHIC KEY

- EXISTING CONSTRUCTION TO BE REMOVED
- HATCH INDICATES EXISTING CONSTRUCTION TO BE REMOVED.

DEMOLITION ELEVATION HISTORIC NOTES

- REFER TO APPROVED HISTORIC PRESERVATION CERTIFICATION APPLICATION PART 2 AND SPECIFICATIONS FOR MASONRY AND STONE REPAIR AND CLEANING.
- EXISTING UNPAINTED BRICK AND STONE TO REMAIN UNPAINTED. EXISTING PAINTED BRICK AND STONE TO BE REPAINTED.
- HISTORIC WINDOW SHUTTER HARDWARE SHOULD REMAIN (EVEN IS SHUTTER WAS PREVIOUSLY REMOVED).

DEMOLITION ELEVATION GENERAL NOTES

- ALL DASHED ELEMENTS TO BE REMOVED. U.N.O. CONSULT ARCH. FOR CLARIFICATION IF NOTATIONS AND GRAPHICS CONFLICT, OR IF INTENT IS UNCLEAR.
- ALL EXISTING STRUCTURAL ELEMENTS, INCLUDING THE HISTORIC MASONRY BEARING WALLS, ARE TO REMAIN. U.N.O., G.C. TO PROVIDE ANY TEMPORARY SHORING REQ'D.
- REMOVE ALL GRAFFITI PER SPECIFICATION.
- REMOVE ALL CRACKED, DETERIORATED OR SPALLED BRICK UNITS AND RAKE OUT ALL DETERIORATED MORTAR JOINTS IN PREPARATION FOR MASONRY RESTORATION. EXERCISE CARE AS NOT TO DAMAGE ADJACENT MASONRY TO REMAIN. VERIFY SECURE ATTACHMENT OF EXISTING STONE ELEMENTS. REFER TO NEW WORK ELEVATIONS AND STRUCTURAL DWGS.
- COORDINATE WITH MECHANICAL, ELECTRICAL, AND PLUMBING DRAWINGS FOR NEW PENETRATIONS (NEW PENETRATIONS FOR CONDUIT, DUCTS, PIPES, ETC. ARE NOT ILLUSTRATED ON THESE DRAWINGS).
- REMOVE ALL EXISTING ABANDONED CORNICE, DOWNSPOUTS, DUCTS, PIPES, LIGHTING FIXTURES, MECHANICAL EQUIPMENT, LOUVERS, VENTS, AND ALL ASSOCIATED FASTENERS FROM EXTERIOR WALL SURFACES. COORDINATE WITH MEP DWGS.
- REMOVE ALL ALGAE, MOSS, LICHEN AND ANY SIMILAR PLANT GROWTH FROM EXISTING EXTERIOR WALL SURFACES.
- EXISTING FIRE ESCAPE TO REMAIN. GENERAL CONTRACTOR SHALL BE RESPONSIBLE FOR FIRE ESCAPE EXAMINATION INSPECTION AND REPAIRS PER CITY OF CINCINNATI. CLEAN AND PAINT.
- HISTORIC STONE LINTELS AND SILLS ARE TO REMAIN. REMOVE ALL CRACKED LINTELS IN PREPARATION FOR NEW CAST STONE LINTEL. REFER NEW WORK ELEVATIONS AND STRUCTURAL DRAWINGS. VERIFY THE CONDITION OF ALL WOOD LINTELS AND NOTIFY ARCHITECT/STRUCTURAL ENGINEER OF DETERIORATION.
- ALL CHIMNEYS & ASSOCIATED ELEMENTS ARE TO REMAIN. U.N.O. VERIFY STRUCTURAL INTEGRITY IN FIELD - SEE NOTES ON STRUCTURAL DWGS.
- ALL HISTORIC CAST IRON, STONE, AND WOOD STOREFRONT ELEMENTS TO REMAIN.
- ALL HISTORIC ROOF CORNICHE ELEMENTS TO REMAIN.
- ALL HISTORIC STONE BANDING TO REMAIN.
- REMOVE ALL TEMPORARY BARRICADES FROM DOORS, STOREFRONTS, AND WINDOWS. REMOVE ALL STEEL SECURITY GRILLES OR BARS. NOTE: HISTORIC WINDOW SHUTTER HARDWARE SHOULD REMAIN.
- COORDINATE ANY NEW MASONRY OPENINGS WITH NEW WORK PLANS. SALVAGE BRICKS FROM NEW OPENINGS FOR REPAIR / REUSE. TOOTH OUT BRICK AT JAMBS AND USE SALVAGED BRICK FOR KEYING IN AT JAMBS. REFER TO STRUCTURAL DWGS.

DEMOLITION ELEVATION KEYNOTES

- REMOVE NON-HISTORIC WINDOW. HISTORIC WOOD WEIGHT BOX AND BRICK MOULD TO REMAIN. SEE WINDOW SCHEDULE AND DETAILS.
- REMOVE DETERIORATED HISTORIC WOOD WINDOW AS REQUIRED TO INSTALL NEW WOOD WINDOW. SEE WINDOW SCHEDULE AND DETAILS.
- HISTORIC CAST IRON OR STONE STOREFRONT ELEMENTS TO REMAIN.
- EXISTING CAST IRON OR STONE CURB TO REMAIN.
- REMOVE NON-HISTORIC INFILL FROM STOREFRONT. PROVIDE TEMPORARY SHORING.
- EXISTING STONE OR CAST IRON CURB (WHERE OCCURS) TO REMAIN UNLESS DETERIORATED BEYOND REPAIR. IF REPLACEMENT IS NECESSARY, REMOVE STONE OR CAST IRON CURB DOWN TO SERVICEABLE FOUNDATION WALL BELOW. PREPARE TOP OF EXISTING FOUNDATION WALL TO RECEIVE NEW CONCRETE CURB, IF REQUIRED FOR NEW SIDEWALK WORK OR ACCESSIBLE ENTRANCE. SEE STRUCTURAL.
- HISTORIC CAST IRON OR STONE STOREFRONT LINTEL TO REMAIN.
- HISTORIC STONE/METAL ROOF CORNICHE/BANDINGS, BRACKETS AND MOULDING TO REMAIN.
- EXISTING MASONRY CHIMNEY TO REMAIN.
- EXISTING HISTORIC WOOD TRANSOM BAR AND WOOD BRICK MOULD TO REMAIN. REMOVE NON-HISTORIC ENTRY DOOR AND INFILL.
- HISTORIC WOOD BRICK MOULD TO REMAIN. REMOVE NON-HISTORIC INFILL.
- HISTORIC WOOD SHUTTERS TO BE REMOVED AND SALVAGED FOR REINSTALLATION. EXISTING EXPOSED HARDWARE TO REMAIN. CLEAN AND PAINT.
- REMOVE EXISTING INFILL IN HISTORIC MASONRY OPENING. EXISTING INTERIOR WINDOW TRIM TO REMAIN IF PRESENT.
- REMOVE RAKE BOARD IF DETERIORATED.
- EXISTING F.E. TO REMAIN. GENERAL CONTRACTOR SHALL BE RESPONSIBLE FOR FIRE ESCAPE EXAMINATION INSPECTION AND REPAIRS PER CITY OF CINCINNATI. CLEAN AND PAINT.
- REMOVE EXISTING GRAFFITI OR MISC. PAINT. SEE SPECIFICATION, EXERCISE CAUTION SO AS NOT TO DAMAGE HISTORIC MASONRY.
- REMOVE EXISTING GRATE/INFILL AT EXISTING BASEMENT WINDOW WELL.
- HISTORIC BOX GUTTER TO REMAIN.
- REMOVE UNDERSIDE OF BAY ENOUGH FOR ARCHITECT AND STRUCTURAL ENGINEER TO INSPECT FLOOR STRUCTURE.
- EXISTING NON-HISTORIC DOOR / WINDOW INFILL TO REMAIN. GENERAL CONTRACTOR SHALL VERIFY INTEGRITY OF EXISTING INFILL.
- REMOVE EXISTING CONCRETE SLAB TO ACCOMMODATE NEW ACCESSIBLE WALKWAY. SEE STRUCTURAL DIAGRAM.
- REMOVE EXISTING DOWNSPOUT.
- REMOVE EXISTING GUTTER.
- REMOVE PORTION OF EXIST. FIRE ESCAPE. SEE DEMO AND NEW WORK PLANS.
- REMOVE EXISTING FENCE, GATE, ASSOCIATED HARDWARE AND FOUNDATIONS.
- PROVIDE NEW MASONRY OPENING FOR NEW DOOR AT EXISTING WINDOW OPENING. SEE NEW WORK PLANS AND ELEVATIONS AND STRUCTURAL DRAWINGS.
- REMOVE EXIST DETERIORATED CONC. SLAB. SEE STRUCTURAL DRAWINGS.
- EXIST. HISTORIC WOOD WINDOW OR TRANSOM TO REMAIN.
- REMOVE EXIST. ONE-STORY ADDITION IN ITS ENTIRETY. SEE NEW WORK PLANS AND STRUCTURAL DRAWINGS.
- REMOVE EXISTING STONE/CONCRETE DETERIORATED STEPS. SEE CIVIL DRAWINGS, NEW WORK PLANS AND STRUCTURAL DRAWINGS.
- REMOVE EXISTING INFILL OR WINDOW. PREP FOR MASONRY INFILL.
- EXIST. STEEL HOIST BEAM TO REMAIN.
- EXIST. HISTORIC WOOD DOORS TO REMAIN.
- EXIST. MASONRY PARAPET W/ TERRA COTTA COPING CAP TO REMAIN. RESET CAP IF REQUIRED.
- EXIST. STEEL GATE AND FRAME TO BE REMOVED.
- EXISTING WOOD CEILING ABOVE TO REMAIN. REPAIR AS REQ'D. PAINT.
- EXISTING DETERIORATED STEEL TO BE REMOVED. PROVIDE TEMPORARY SHORING AT WALL ABOVE. SEE STRUCTURAL DWGS.



1 A5.1 DEMOLITION SOUTH EXTERIOR ELEVATION
1/4" = 1'-0"



NOT FOR CONSTRUCTION

CITYSTUDIOS
ARCHITECTURE
1148 Main Street
Cincinnati, OH 45202
ph. 513.621.0750
citystudiosarch.com

advantage
STRUCTURAL ENGINEERS
1527 Madison Road
Cincinnati, OH 45206
513.386.8900
www.advantageSE.com

VIQ&VIQ
ARCHITECTURAL PHOTOGRAPHERS
1111 North Broadway, Suite 200
Cincinnati, OH 45202
www.viqandviq.com

PE Services
1-513-836-3810
9 North Broadway
Lebanon, OH 45046
513-836-3810

RUSS ALLEY
1623 -1625 VINE STREET, 1624 REPUBLIC STREET
(1625 VINE HPTC APPLICATION)
CINCINNATI, OH 45202

3CDC CINCINNATI
COMMUNITY
DEVELOPMENT
CORPORATION

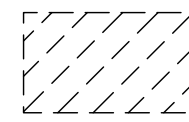
ISSUE LOG:
06.02.2023
ISSUE FOR PERMIT
07.14.2023
PERMIT REVISION 1
09.21.2023
OHFA PRELIM. SUBMISSION

DEMOLITION
SOUTH EXTERIOR ELEVATION

A5.1

PRELIMINARY:
NOT FOR CONSTRUCTION

DEMOLITION ELEVATION GRAPHIC KEY

- EXISTING CONSTRUCTION TO BE REMOVED
-  HATCH INDICATES EXISTING CONSTRUCTION TO BE REMOVED.

DEMOLITION ELEVATION HISTORIC NOTES

- REFER TO APPROVED HISTORIC PRESERVATION CERTIFICATION APPLICATION PART 2 AND SPECIFICATIONS FOR MASONRY AND STONE REPAIR AND CLEANING.
- EXISTING UNPAINTED BRICK AND STONE TO REMAIN UNPAINTED. EXISTING PAINTED BRICK AND STONE TO BE REPAINTED.
- HISTORIC WINDOW SHUTTER HARDWARE SHOULD REMAIN (EVEN IS SHUTTER WAS PREVIOUSLY REMOVED).

DEMOLITION ELEVATION GENERAL NOTES

- ALL DASHED ELEMENTS TO BE REMOVED. U.N.O. CONSULT ARCH. FOR CLARIFICATION IF NOTATIONS AND GRAPHICS CONFLICT, OR IF INTENT IS UNCLEAR.
- ALL EXISTING STRUCTURAL ELEMENTS, INCLUDING THE HISTORIC MASONRY BEARING WALLS, ARE TO REMAIN, U.N.O., G.C. TO PROVIDE ANY TEMPORARY SHORING REQ'D.
- REMOVE ALL GRAFFITI PER SPECIFICATION.
- REMOVE ALL CRACKED, DETERIORATED OR SPALLED BRICK UNITS AND RAKE OUT ALL DETERIORATED MORTAR JOINTS IN PREPARATION FOR MASONRY RESTORATION. EXERCISE CARE AS NOT TO DAMAGE ADJACENT MASONRY TO REMAIN. VERIFY SECURE ATTACHMENT OF EXISTING STONE ELEMENTS. REFER TO NEW WORK ELEVATIONS AND STRUCTURAL DWGS.
- COORDINATE WITH MECHANICAL, ELECTRICAL, AND PLUMBING DRAWINGS FOR NEW PENETRATIONS (NEW PENETRATIONS FOR CONDUIT, DUCTS, PIPES, ETC. ARE NOT ILLUSTRATED ON THESE DRAWINGS).
- REMOVE ALL EXISTING ABANDONED COUSING, DOWNSPOUTS, DUCTS, PIPES, LIGHTING FIXTURES, MECHANICAL EQUIPMENT, LOUVERS, VENTS, AND ALL ASSOCIATED FASTENERS FROM EXTERIOR WALL SURFACES. COORDINATE WITH MEP DWGS.
- REMOVE ALL ALGAE, MOSS, IVY AND ANY SIMILAR PLANT GROWTH FROM EXISTING EXTERIOR WALL SURFACES.
- EXISTING FIRE ESCAPE TO REMAIN. GENERAL CONTRACTOR SHALL BE RESPONSIBLE FOR FIRE ESCAPE EXAMINATION INSPECTION AND REPAIRS PER CITY OF CINCINNATI. CLEAN AND PAINT.
- HISTORIC STONE LINTELS AND SILLS ARE TO REMAIN. REMOVE ALL CRACKED LINTELS IN PREPARATION FOR NEW CAST STONE LINTEL. REFER NEW WORK ELEVATIONS AND STRUCTURAL DRAWINGS. VERIFY THE CONDITION OF ALL WOOD LINTELS AND NOTIFY ARCHITECT/STRUCTURAL ENGINEER OF DETERIORATION.
- ALL CHIMNEYS & ASSOCIATED ELEMENTS ARE TO REMAIN, U.N.O. VERIFY STRUCTURAL INTEGRITY IN FIELD - SEE NOTES ON STRUCTURAL DWGS.
- ALL HISTORIC CAST IRON, STONE, AND WOOD STOREFRONT ELEMENTS TO REMAIN.
- ALL HISTORIC ROOF CORNICHE ELEMENTS TO REMAIN.
- ALL HISTORIC STONE BANDING TO REMAIN.
- REMOVE ALL TEMPORARY BARRICADES FROM DOORS, STOREFRONTS, AND WINDOWS. REMOVE ALL STEEL SECURITY GRILLES OR BARS. NOTE: HISTORIC WINDOW SHUTTER HARDWARE SHOULD REMAIN.
- COORDINATE ANY NEW MASONRY OPENINGS WITH NEW WORK PLANS. SALVAGE BRICKS FROM NEW OPENINGS FOR REPAIR / REUSE. TOOTH OUT BRICK AT JAMBS AND USE SALVAGED BRICK FOR KEYING IN AT JAMBS. REFER TO STRUCTURAL DWGS.

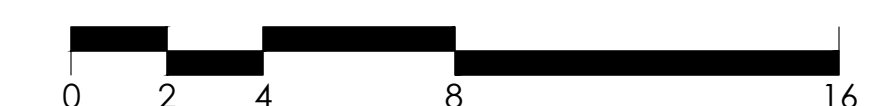
DEMOLITION ELEVATION KEYNOTES

- REMOVE NON-HISTORIC WINDOW. HISTORIC WOOD WEIGHT BOX AND BRICK MOULD TO REMAIN. SEE WINDOW SCHEDULE AND DETAILS.
- REMOVE DETERIORATED HISTORIC WOOD WINDOW AS REQUIRED TO INSTALL NEW WOOD WINDOW. SEE WINDOW SCHEDULE AND DETAILS.
- HISTORIC CAST IRON OR STONE STOREFRONT ELEMENTS TO REMAIN.
- EXISTING CAST IRON OR STONE CURB TO REMAIN.
- REMOVE NON-HISTORIC INFILL FROM STOREFRONT. PROVIDE TEMPORARY SHORING.
- EXISTING STONE OR CAST IRON CURB (WHERE OCCURS) TO REMAIN UNLESS DETERIORATED BEYOND REPAIR. IF REPLACEMENT IS NECESSARY, REMOVE STONE OR CAST IRON CURB DOWN TO SERVICEABLE FOUNDATION WALL BELOW. PREPARE TOP OF EXISTING FOUNDATION WALL TO RECEIVE NEW CONCRETE CURB, IF REQUIRED FOR NEW SIDEWALK WORK OR ACCESSIBLE ENTRANCE. SEE STRUCTURAL.
- HISTORIC CAST IRON OR STONE STOREFRONT LINTEL TO REMAIN.
- HISTORIC STONE/METAL ROOF CORNICHE/BANDINGS, BRACKETS AND MOULDING TO REMAIN.
- EXISTING MASONRY CHIMNEY TO REMAIN.
- EXISTING HISTORIC WOOD TRANSOM BAR AND WOOD BRICK MOULD TO REMAIN. REMOVE NON-HISTORIC ENTRY DOOR AND INFILL.
- HISTORIC WOOD BRICK MOULD TO REMAIN. REMOVE NON-HISTORIC INFILL.
- HISTORIC WOOD SHUTTERS TO BE REMOVED AND SALVAGED FOR REINSTALLATION. EXISTING EXPOSED HARDWARE TO REMAIN. CLEAN AND PAINT.
- REMOVE EXISTING INFILL IN HISTORIC MASONRY OPENING. EXISTING INTERIOR WINDOW TRIM TO REMAIN IF PRESENT.
- REMOVE RAKE BOARD IF DETERIORATED.
- EXISTING F.E. TO REMAIN. GENERAL CONTRACTOR SHALL BE RESPONSIBLE FOR FIRE ESCAPE EXAMINATION INSPECTION AND REPAIRS PER CITY OF CINCINNATI. CLEAN AND PAINT.
- REMOVE EXISTING GRAFFITI OR MISC. PAINT. SEE SPECIFICATION. EXERCISE CAUTION SO AS NOT TO DAMAGE HISTORIC MASONRY.
- REMOVE EXISTING GRATE/INFILL AT EXISTING BASEMENT WINDOW WELL.
- HISTORIC BOX GUTTER TO REMAIN.
- REMOVE UNDERSIDE OF BAY ENOUGH FOR ARCHITECT AND STRUCTURAL ENGINEER TO INSPECT FLOOR STRUCTURE.
- EXISTING NON-HISTORIC DOOR / WINDOW INFILL TO REMAIN. GENERAL CONTRACTOR SHALL VERIFY INTEGRITY OF EXISTING INFILL.
- REMOVE EXISTING CONCRETE SLAB TO ACCOMMODATE NEW ACCESSIBLE WALKWAY. SEE STRUCTURAL DIAGRAM.
- REMOVE EXISTING DOWNSPOUT.
- REMOVE EXISTING GUTTER.
- REMOVE PORTION OF EXIST. FIRE ESCAPE. SEE DEMO AND NEW WORK PLANS.
- REMOVE EXISTING FENCE, GATE, ASSOCIATED HARDWARE AND FOUNDATIONS.
- PROVIDE NEW MASONRY OPENING FOR NEW DOOR AT EXISTING WINDOW OPENING. SEE NEW WORK PLANS AND ELEVATIONS AND STRUCTURAL DRAWINGS.
- REMOVE EXIST DETERIORATED CONC. SLAB. SEE STRUCTURAL DRAWINGS.
- EXIST. HISTORIC WOOD WINDOW OR TRANSOM TO REMAIN.
- REMOVE EXIST. ONE-STORY ADDITION IN ITS ENTIRETY. SEE NEW WORK PLANS AND STRUCTURAL DRAWINGS.
- REMOVE EXISTING STONE/CONCRETE DETERIORATED STEPS. SEE CIVIL DRAWINGS, NEW WORK PLANS AND STRUCTURAL DRAWINGS.
- REMOVE EXISTING INFILL OR WINDOW. PREP FOR MASONRY INFILL.
- EXIST. STEEL HOIST BEAM TO REMAIN.
- EXIST. HISTORIC WOOD DOORS TO REMAIN.
- EXIST. MASONRY PARAPET W/ TERRA COTTA COPING CAP TO REMAIN. RESET CAP IF REQUIRED.
- EXIST. STEEL GATE AND FRAME TO BE REMOVED.
- EXISTING WOOD CEILING ABOVE TO REMAIN. REPAIR AS REQ'D. PAINT.
- EXISTING DETERIORATED STEEL TO BE REMOVED. PROVIDE TEMPORARY SHORING AT WALL ABOVE. SEE STRUCTURAL DWGS.



1
A5.2
1/4" = 1'-0"

DEMOLITION WEST EXTERIOR ELEVATION - REPUBLIC STREET



NOT FOR
CONSTRUCTION

CITYSTUDIOS
ARCHITECTURE
1148 Main Street
Cincinnati, OH 45202
ph. 513.621.0750
citystudiosarch.com

advantage
STRUCTURAL ENGINEERS
1527 Madison Road
Cincinnati, OH 45206
513.386.8900
www.advantageSE.com

VIQX&VIQX
AN ENGINEERING AND ARCHITECTURAL FIRM
100 North Avenue #4000, Ave 4000 1111
Cincinnati, OH 45202
Phone: (513) 633-1111 Fax: (513) 633-1111

PE Services
1-513-836-3810
9 North Broadway
Lebanon, OH 45046
513-836-3810

RUSS ALLEY
1623 - 1625 VINE STREET, 1624 REPUBLIC STREET
(1625 VINE HPTC APPLICATION)
CINCINNATI, OH 45202

3CDC CINCINNATI
CENTER CITY
DEVELOPMENT
CORPORATION

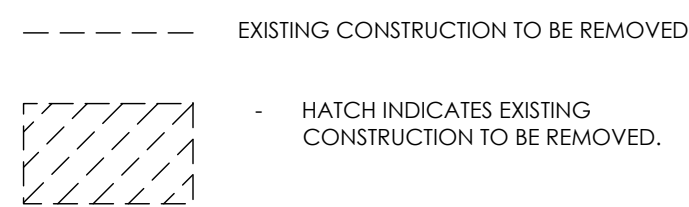
ISSUE LOG:
06.02.2023
ISSUE FOR PERMIT
07.14.2023
PERMIT REVISION 1
09.21.2023
OHFA PRELIM. SUBMISSION

DEMOLITION
WEST EXTERIOR ELEVATION

A5.2

PRELIMINARY:
NOT FOR CONSTRUCTION

DEMOLITION ELEVATION GRAPHIC KEY



DEMOLITION ELEVATION HISTORIC NOTES

- REFER TO APPROVED HISTORIC PRESERVATION CERTIFICATION APPLICATION PART 2 AND SPECIFICATIONS FOR MASONRY AND STONE REPAIR AND CLEANING.
- EXISTING UNPAINTED BRICK AND STONE TO REMAIN UNPAINTED. EXISTING PAINTED BRICK AND STONE TO BE REPAINTED.
- HISTORIC WINDOW SHUTTER HARDWARE SHOULD REMAIN (EVEN IS SHUTTER WAS PREVIOUSLY REMOVED).

DEMOLITION ELEVATION GENERAL NOTES

- ALL DASHED ELEMENTS TO BE REMOVED. U.N.O. CONSULT ARCH. FOR CLARIFICATION IF NOTATIONS AND GRAPHICS CONFLICT, OR IF INTENT IS UNCLEAR.
- ALL EXISTING STRUCTURAL ELEMENTS, INCLUDING THE HISTORIC MASONRY BEARING WALLS, ARE TO REMAIN. U.N.O., G.C. TO PROVIDE ANY TEMPORARY SHORING REQ'D.
- REMOVE ALL GRAFFITI PER SPECIFICATION.
- REMOVE ALL CRACKED, DETERIORATED OR SPALLED BRICK UNITS AND RAKE OUT ALL DETERIORATED MORTAR JOINTS IN PREPARATION FOR MASONRY RESTORATION. EXERCISE CARE AS NOT TO DAMAGE ADJACENT MASONRY TO REMAIN. VERIFY SECURE ATTACHMENT OF EXISTING STONE ELEMENTS. REFER TO NEW WORK ELEVATIONS AND STRUCTURAL DWGS.
- COORDINATE WITH MECHANICAL, ELECTRICAL, AND PLUMBING DRAWINGS FOR NEW PENETRATIONS (NEW PENETRATIONS FOR CONDUIT, DUCTS, PIPES, ETC. ARE NOT ILLUSTRATED ON THESE DRAWINGS).
- REMOVE ALL EXISTING ABANDONED CORNICE, DOWNSPOUTS, DUCTS, PIPES, LIGHTING FIXTURES, MECHANICAL EQUIPMENT, LOUVERS, VENTS, AND ALL ASSOCIATED FASTENERS FROM EXTERIOR WALL SURFACES. COORDINATE WITH MEP DWGS.
- REMOVE ALL ALGAE, MOSS, IVY AND ANY SIMILAR PLANT GROWTH FROM EXISTING EXTERIOR WALL SURFACES.
- EXISTING FIRE ESCAPE TO REMAIN. GENERAL CONTRACTOR SHALL BE RESPONSIBLE FOR FIRE ESCAPE EXAMINATION INSPECTION AND REPAIRS PER CITY OF CINCINNATI. CLEAN AND PAINT.
- HISTORIC STONE LINTELS AND SILLS ARE TO REMAIN. REMOVE ALL CRACKED LINTELS IN PREPARATION FOR NEW CAST STONE LINTEL. REFER NEW WORK ELEVATIONS AND STRUCTURAL DRAWINGS. VERIFY THE CONDITION OF ALL WOOD LINTELS AND NOTIFY ARCHITECT/STRUCTURAL ENGINEER OF DETERIORATION.
- ALL CHIMNEYS & ASSOCIATED ELEMENTS ARE TO REMAIN. U.N.O. VERIFY STRUCTURAL INTEGRITY IN FIELD - SEE NOTES ON STRUCTURAL DWGS.
- ALL HISTORIC CAST IRON, STONE, AND WOOD STOREFRONT ELEMENTS TO REMAIN.
- ALL HISTORIC ROOF CORNICHE ELEMENTS TO REMAIN.
- ALL HISTORIC STONE BANDING TO REMAIN.
- REMOVE ALL TEMPORARY BARRICADES FROM DOORS, STOREFRONTS, AND WINDOWS. REMOVE ALL STEEL SECURITY GRILLES OR BARS. NOTE: HISTORIC WINDOW SHUTTER HARDWARE SHOULD REMAIN.
- COORDINATE ANY NEW MASONRY OPENINGS WITH NEW WORK PLANS. SALVAGE BRICKS FROM NEW OPENINGS FOR REPAIR / REUSE. TOOTH OUT BRICK AT JAMBS AND USE SALVAGED BRICK FOR KEYING IN AT JAMBS. REFER TO STRUCTURAL DWGS.

DEMOLITION ELEVATION KEYNOTES

- REMOVE NON-HISTORIC WINDOW. HISTORIC WOOD WEIGHT BOX AND BRICK MOULD TO REMAIN. SEE WINDOW SCHEDULE AND DETAILS.
- REMOVE DETERIORATED HISTORIC WOOD WINDOW AS REQUIRED TO INSTALL NEW WOOD WINDOW. SEE WINDOW SCHEDULE AND DETAILS.
- HISTORIC CAST IRON OR STONE STOREFRONT ELEMENTS TO REMAIN.
- EXISTING CAST IRON OR STONE CURB TO REMAIN.
- REMOVE NON-HISTORIC INFILL FROM STOREFRONT. PROVIDE TEMPORARY SHORING.
- EXISTING STONE OR CAST IRON CURB (WHERE OCCURS) TO REMAIN UNLESS DETERIORATED BEYOND REPAIR. IF REPLACEMENT IS NECESSARY, REMOVE STONE OR CAST IRON CURB DOWN TO SERVICEABLE FOUNDATION WALL BELOW. PREPARE TOP OF EXISTING FOUNDATION WALL TO RECEIVE NEW CONCRETE CURB, IF REQUIRED FOR NEW SIDEWALK WORK OR ACCESSIBLE ENTRANCE. SEE STRUCTURAL.
- HISTORIC CAST IRON OR STONE STOREFRONT LINTEL TO REMAIN.
- HISTORIC STONE/METAL ROOF CORNICHE/BANDINGS, BRACKETS AND MOULDING TO REMAIN.
- EXISTING MASONRY CHIMNEY TO REMAIN.
- EXISTING HISTORIC WOOD TRANSOM BAR AND WOOD BRICK MOULD TO REMAIN. REMOVE NON-HISTORIC ENTRY DOOR AND INFILL.
- HISTORIC WOOD BRICK MOULD TO REMAIN. REMOVE NON-HISTORIC INFILL.
- HISTORIC WOOD SHUTTERS TO BE REMOVED AND SALVAGED FOR REINSTALLATION. EXISTING EXPOSED HARDWARE TO REMAIN. CLEAN AND PAINT.
- REMOVE EXISTING INFILL IN HISTORIC MASONRY OPENING. EXISTING INTERIOR WINDOW TRIM TO REMAIN IF PRESENT.
- REMOVE RAKE BOARD IF DETERIORATED.
- EXISTING F.E. TO REMAIN. GENERAL CONTRACTOR SHALL BE RESPONSIBLE FOR FIRE ESCAPE EXAMINATION INSPECTION AND REPAIRS PER CITY OF CINCINNATI. CLEAN AND PAINT.
- REMOVE EXISTING GRAFFITI OR MISC. PAINT. SEE SPECIFICATION. EXERCISE CAUTION SO AS NOT TO DAMAGE HISTORIC MASONRY.
- REMOVE EXISTING GRATE/INFILL AT EXISTING BASEMENT WINDOW WELL.
- HISTORIC BOX GUTTER TO REMAIN.
- REMOVE UNDERSIDE OF BAY ENOUGH FOR ARCHITECT AND STRUCTURAL ENGINEER TO INSPECT FLOOR STRUCTURE.
- EXISTING NON-HISTORIC DOOR / WINDOW INFILL TO REMAIN. GENERAL CONTRACTOR SHALL VERIFY INTEGRITY OF EXISTING INFILL.
- REMOVE EXISTING CONCRETE SLAB TO ACCOMMODATE NEW ACCESSIBLE WALKWAY. SEE STRUCTURAL DIAGRAM.
- REMOVE EXISTING DOWNSPOUT.
- REMOVE EXISTING GUTTER.
- REMOVE PORTION OF EXIST. FIRE ESCAPE. SEE DEMO AND NEW WORK PLANS.
- REMOVE EXISTING FENCE, GATE, ASSOCIATED HARDWARE AND FOUNDATIONS.
- PROVIDE NEW MASONRY OPENING FOR NEW DOOR AT EXISTING WINDOW OPENING. SEE NEW WORK PLANS AND ELEVATIONS AND STRUCTURAL DRAWINGS.
- REMOVE EXIST DETERIORATED CONC. SLAB. SEE STRUCTURAL DRAWINGS.
- EXIST. HISTORIC WOOD WINDOW OR TRANSOM TO REMAIN.
- REMOVE EXIST. ONE-STORY ADDITION IN ITS ENTIRETY. SEE NEW WORK PLANS AND STRUCTURAL DRAWINGS.
- REMOVE EXISTING STONE/CONCRETE DETERIORATED STEPS. SEE CIVIL DRAWINGS, NEW WORK PLANS AND STRUCTURAL DRAWINGS.
- REMOVE EXISTING INFILL OR WINDOW. PREP FOR MASONRY INFILL.
- EXIST. STEEL HOIST BEAM TO REMAIN.
- EXIST. HISTORIC WOOD DOORS TO REMAIN.
- EXIST. MASONRY PARAPET W/ TERRA COTTA COPING CAP TO REMAIN. RESET CAP IF REQUIRED.
- EXIST. STEEL GATE AND FRAME TO BE REMOVED.
- EXISTING WOOD CEILING ABOVE TO REMAIN. REPAIR AS REQ'D. PAINT.
- EXISTING DETERIORATED STEEL TO BE REMOVED. PROVIDE TEMPORARY SHORING AT WALL ABOVE. SEE STRUCTURAL DWGS.



1 A5.3 1/4" = 1'-0" DEMOLITION NORTH EXTERIOR ELEVATION



NOT FOR CONSTRUCTION

CITYSTUDIOS
 ARCHITECTURE
 1148 Main Street
 Cincinnati, OH 45202
 ph. 513.621.0750
 citystudiosarch.com

advantage
 STRUCTURAL ENGINEERS
 1527 Madison Road
 Cincinnati, OH 45206
 513.386.8900
 www.advantageSE.com

VIQ&VIQ
 AN AFFILIATE OF THE VIQ GROUP
 1000 North Broadway, Suite 200
 Cincinnati, OH 45202
 Phone: (513) 263-1100
 www.viqgroup.com

PE Services
 1-513-836-3810
 9 North Broadway
 Lebanon, OH 45046
 513-836-3810

RUSS ALLEY
 1623 - 1625 VINE STREET, 1624 REPUBLIC STREET
 (1625 VINE HPTC APPLICATION)
 CINCINNATI, OH 45202

3CDC CINCINNATI CENTER CITY DEVELOPMENT CORPORATION

ISSUE LOG:
 06.02.2023 ISSUE FOR PERMIT
 07.14.2023 PERMIT REVISION 1
 09.21.2023 OHFA PRELIM. SUBMISSION

DEMOLITION NORTH EXTERIOR ELEVATION

A5.3

PRELIMINARY: NOT FOR CONSTRUCTION

NEW WORK ELEVATION GRAPHIC KEY

- NEW BRICK INFILL: MATCH EXISTING ADJACENT BRICK COLOR, SIZE, AND TEXTURE. AT INFILLED WINDOW AND DOOR OPENINGS, SET FACE OF BRICK BACK 2" FROM FACE OF ADJACENT BRICK.
- 6" x 6" PLASTIC LOUVERED WALL VENT CAP, COLOR TO BLEND WITH BRICK.
- 8" x 8" VENTS CORRESPOND TO 4" DIAMETER KITCHEN/BATHROOM/CLOTHES DRYER EXHAUST DUCTS.
- 10" x 10" PLASTIC LOUVERED WALL VENT CAP, COLOR TO BLEND WITH BRICK.
- 8" x 8" VENTS CORRESPOND TO 4" DIAMETER KITCHEN/BATHROOM/CLOTHES DRYER EXHAUST DUCTS.

NEW WORK ELEVATION HISTORIC NOTES

- REFER TO NEW WORK PLANS FOR ALL HISTORIC KEYNOTES AT EXISTING DOOR AND WINDOW OPENINGS AND OTHER HISTORIC EXTERIOR ELEMENTS.
- REFER TO APPROVED HISTORIC PRESERVATION CERTIFICATION APPLICATION PART 2 AND SPECIFICATIONS FOR MASONRY AND STONE REPAIR AND CLEANING.
- EXISTING UNPAINTED BRICK AND STONE TO REMAIN UNPAINTED. EXISTING PAINTED BRICK AND STONE TO BE REPAINTED.
- ALL COLORS TO BE SELECTED BY OWNER / ARCHITECT DURING CONSTRUCTION. BIDDERS ARE TO ASSUME MINIMUM 3 EXTERIOR PAINT COLORS PER BUILDING.
- ALL HISTORIC WINDOW SHUTTER HARDWARE SHOULD REMAIN (EVEN IF SHUTTER WAS PREVIOUSLY REMOVED) REPAIR, CLEAN, AND PAINT.

NEW WORK ELEVATION GENERAL NOTES

- REFER TO NEW WORK FLOOR PLANS FOR ALL DOOR TAGS.
- INSTALL NEW WINDOWS PER WINDOW SCHEDULE AND DETAILS. FOR HISTORIC WOOD BRICKMOULD TO REMAIN. PATCH TO MATCH HISTORIC WHERE MISSING. REPAIR TO MATCH HISTORIC WHERE DETERIORATED. PRIME AND PAINT.
- REVIEW, REPLACE ALL MISSING, CRACKED, ERODED, OR SPALLED BRICKS WITH SALVAGED HISTORIC BRICKS OR NEW BRICKS TO MATCH. EXERCISE CARE SO AS NOT TO DAMAGE ADJACENT HISTORIC BRICKS TO REMAIN. REPORT ALL MISSING, DETERIORATED, OR SOFT MORTAR JOINTS IN ALL MASONRY. VERIFY COLOR MATCH WITH ARCHITECT PRIOR TO BEGINNING WORK. SEE STRUCTURAL DRAWING.
- CONTRACTOR TO SURVEY MASONRY PRIOR TO BIDDING WORK TO QUANTIFY SCOPE OF REPAIR. CONTRACTOR SHALL SUBMIT UNIT PRICING FOR ADDITIONAL BRICK MASONRY REPAIRS NOT SHOWN ON STRUCTURAL DRAWINGS.
- INFILL EXISTING PENETRATIONS OF THE EXTERIOR MASONRY WALLS TO MATCH ADJACENT SURFACES.
- REPLACE CRACKED STONE LINTELS AND SILLS TO MATCH EXISTING. SEE STRUCTURAL DRAWINGS.
- PAINT ALL PREVIOUSLY PAINTED BRICK AND STONE MASONRY SURFACES. COLOR TO BE SELECTED BY ARCHITECT. ALL PREVIOUSLY UNPAINTED BRICK AND STONE MASONRY TO REMAIN UNPAINTED.
- PAINT HISTORIC CAST IRON, STONE AND WOOD STOREFRONT ELEMENTS. COLOR TO BE SELECTED BY ARCHITECT.
- PAINT HISTORIC ROOF CORNICE ELEMENTS. COLOR TO BE SELECTED BY ARCHITECT.
- VERIFY THE CONDITION OF INTERIOR WOOD LINTELS. REPAIR OR REPLACE AS REQUIRED.
- ALL CHIMNEYS & ASSOCIATED ELEMENTS ARE TO REMAIN. U.N.O. PROVIDE BRICK REPAIRS AS REQUIRED AND CAP IF NOT ALREADY CAPPED. VERIFY STRUCTURAL INTEGRITY IN FIELD - SEE NOTES ON STRUCTURAL DWGS.
- COORDINATE WITH MECHANICAL, ELECTRICAL, AND PLUMBING DRAWINGS FOR NEW PENETRATIONS (NEW PENETRATIONS FOR CONDUIT, DUCTS, PIPES, ETC., ARE NOT ILLUSTRATED ON THESE DRAWINGS).
- EXISTING FIRE ESCAPE TO REMAIN. GENERAL CONTRACTOR SHALL BE RESPONSIBLE FOR FIRE ESCAPE EXAMINATION INSPECTION AND REPAIRS PER CITY OF CINCINNATI. CLEAN AND PAINT.

NEW WORK ELEVATION KEYNOTES

- HISTORIC CAST IRON/STONE STOREFRONT ELEMENTS TO REMAIN. REPAIR, CLEAN AND PAINT.
- PROVIDE NEW CONCRETE CURB IF EXISTING CURB IS DETERIORATED, MISSING, OR REQUIRED FOR NEW SIDEWALK WORK OR NEW ACCESSIBLE ENTRANCE. SEE STRUCTURAL DRAWINGS.
- PROVIDE NEW STOREFRONT KNEE WALL. REFER TO STOREFRONT DETAILS.
- HISTORIC CORNICE, BRACKETS AND MOULDING TO REMAIN. REPAIR DETERIORATED ELEMENTS TO MATCH EXISTING. CLEAN AND PAINT.
- REPLACE DETERIORATED WOOD RADE BOARD. COLOR BY ARCHITECT.
- PROVIDE NEW PREFINISHED ALUMINUM CAP OVER HISTORIC STONE CHIMNEY CAP. SLOPE TO SHED WATER. COLOR BY ARCHITECT.
- NEW WALL-MOUNTED DECORATIVE OR SECURITY LIGHT FIXTURE. REFER TO ELECTRICAL DRAWINGS.
- HISTORIC WOOD BOXY GUTTER TO REMAIN. REPAIR ALL DETERIORATED ELEMENTS. PRIME AND PAINT. PROVIDE NEW TPO ROOF MEMBRANE LINER AND SLOPE TO DRAIN TO NEW DOWNSPOUT LOCATION.
- REPAIR STRUCTURE AT UNDERSIDE OF BAY WINDOW IF REQUIRED. PROVIDE NEW FIBER CEMENT PANEL AFTER REPAIR WORK IS COMPLETED. PAINT.
- REINSTALL HISTORIC WOOD SHUTTERS. REPAIR AND PAINT. EXPOSED HARDWARE TO REMAIN. CLEAN AND PAINT.
- EXISTING CAST IRON OR STONE STEP TO REMAIN. REPAIR AS REQUIRED.
- NEW HVAC EQUIPMENT. REFER TO MECHANICAL DRAWINGS.
- NEW 47" TALL STEEL GUARDRAIL WITH MEMBERS SPACED TO PREVENT PASSAGE OF 21" DIA. SPHERE. PAINT, COLOR BY ARCHITECT. REFER TO STRUCTURAL DRAWINGS FOR LOADING CRITERIA.
- NEW 6" TALL ALUMINUM FENCE AND GATE.
- NEW INTERCOM SYSTEM TIED TO ELECTRIC DOOR HARDWARE. REFER TO ELECTRICAL DRAWINGS.
- NEW PREFINISHED ALUMINUM HUNG GUTTER.
- NEW PREFINISHED ALUMINUM DOWNSPOUT. PROVIDE CAST IRON BOOT. EXTEND BOOT 6" ABOVE GRADE. CONNECT CONNECTION TO STORM LINE - SEE PLUMBING DRAWINGS.
- PROVIDE NEW CONCRETE SLOPED SLAB TO ACCOMMODATE NEW ACCESSIBLE WALKWAY. SEE STRUCTURAL DRAWINGS.
- EXIST NON-HISTORIC DOOR/WINDOW INFILL TO REMAIN. GENERAL CONTRACTOR SHALL VERIFY THE INTEGRITY OF THE EXISTING INFILL. REPAIR AND PAINT.
- NEW BRICK MASONRY INFILL IN HISTORIC OPENING. RECESSED 2" FROM FACE OF ADJACENT MASONRY. NEW BRICK INFILL TO MATCH HISTORIC BRICK.
- NEW EXHAUST LOUVERS. COLOR BY ARCHITECT.
- NEW CONCRETE SLAB. SEE STRUCTURAL DRAWINGS.
- EXISTING CONCRETE STEPS TO REMAIN. REPAIR AS REQUIRED.
- PROVIDE NEW CONCRETE STEPS AT ENTRY. MAX. RISE 7" - MIN. RUN, 11". SEE STRUCTURAL DRAWINGS.
- PROVIDE NEW MASONRY (STAR) WALL TIES. SEE STRUCTURAL DRAWINGS. PAINT TO MATCH WALL COLOR.
- PROVIDE NEW CAUL INFILL AT HISTORIC OPENING. RECESS 2" FROM FACE OF ADJACENT MASONRY. PROVIDE PARGE COAT AND PAINT.
- EXIST. MASONRY PARAPET WITH TERRA COTTA COPING CAP. RESET IF REQUIRED. SEE NEW WORK ROOF PLAN.
- EXISTING HISTORIC WOOD DOORS TO REMAIN IN THE CLOSED POSITION. REPAIR AND PAINT.
- EXISTING STEEL HOIST BEAM TO REMAIN. VERIFY STRUCTURAL INTEGRITY. REPAIR AND PAINT.
- PROVIDE NEW WOOD PANELED INFILL WALL WITH TRANSOMS ABOVE. SEE DETAIL.
- EXISTING F.E. TO REMAIN. GENERAL CONTRACTOR SHALL BE RESPONSIBLE FOR FIRE ESCAPE EXAMINATION INSPECTION AND REPAIRS PER CITY OF CINCINNATI. CLEAN AND PAINT.
- PROVIDE NEW DOOR OPENER PUSH PLATE W/ INTERNATIONAL SYMBOL OF ACCESSIBILITY. MOUNTED 48" MAXIMUM AFF. SEE NEW WORK PLAN FOR ADDITIONAL INFORMATION.
- EXISTING WOOD CEILING ABOVE TO REMAIN. REPAIR AS REQ'D. PAINT.
- USPS APPROVED RESIDENTIAL STYLE EXTERIOR GRADE LOCKABLE MAILBOX. MOUNT SO KEY IS 48" MAX ABOVE GRADE. SEE NEW WORK PLANS.
- NEW STEEL BEAM WITH NEW COVERPLATES. COVERPLATES TO MATCH EXISTING. REFER TO STRUCTURAL.
- CEMENT FIBER BOARD SHEET (HARDEE PANEL VERTICAL SIDING, SMOOTH, OR EQUAL), NO EXPOSED SEAMS. SEE WALL TYPE 'N'. PAINTED.
- 1X CEDAR TRIM. PAINTED.
- 3/4" CEDAR QUARTER ROUND AT PERIMETER OF OPENING. PAINTED.



1 A6.0 NEW WORK EAST EXTERIOR ELEVATION - VINE STREET
1/4" = 1'-0"



NOT FOR CONSTRUCTION

CITYSTUDIOS
ARCHITECTURE
1148 Main Street
Cincinnati, OH 45202
ph. 513.621.0750
citystudiosarch.com

advantage
STRUCTURAL ENGINEERS
1527 Madison Road
Cincinnati, OH 45206
513.386.8900
www.advantageSE.com

VIOX&VIOX
MECHANICAL ENGINEERS
1440 North Shoreline Drive, Suite 1111
Cincinnati, OH 45240
513.963.8800
www.vioxandviox.com

PE Services
1-513-836-3810
9 North Broadway
Lebanon, OH 45046
513-836-3810

RUSS ALLEY
1623 - 1625 VINE STREET, 1624 REPUBLIC STREET
(1625 VINE HPTC APPLICATION)
CINCINNATI, OH 45202

3CDC CINCINNATI CENTER CITY DEVELOPMENT CORPORATION

ISSUE LOG:
06.02.2023 ISSUE FOR PERMIT
07.14.2023 PERMIT REVISION 1
09.21.2023 OHFA PRELIM. SUBMISSION

NEW WORK EAST EXTERIOR ELEVATION

A6.0

PRELIMINARY: NOT FOR CONSTRUCTION

NEW WORK ELEVATION GRAPHIC KEY

- NEW BRICK INFILL: MATCH EXISTING ADJACENT BRICK COLOR, SIZE, AND TEXTURE. AT INFILLED WINDOW AND DOOR OPENINGS, SET FACE OF BRICK BACK 2" FROM FACE OF ADJACENT BRICK.
- 6" x 6" PLASTIC LOUVERED WALL VENT CAP. COLOR TO BLEND WITH BRICK. 6" x 6" VENTS CORRESPOND TO 4" DIAMETER KITCHEN/BATHROOM/CLOTHES DRYER EXHAUST DUCTS.
- 8" x 8" PLASTIC LOUVERED WALL VENT CAP. COLOR TO BLEND WITH BRICK. 8" x 8" VENTS CORRESPOND TO 6" DIAMETER KITCHEN/BATHROOM/CLOTHES DRYER EXHAUST DUCTS.
- 10" x 10" PLASTIC LOUVERED WALL VENT CAP. COLOR TO BLEND WITH BRICK. 10" x 10" VENTS CORRESPOND TO 8" DIAMETER KITCHEN/BATHROOM/CLOTHES DRYER EXHAUST DUCTS.

NEW WORK ELEVATION HISTORIC NOTES

- REFER TO NEW WORK PLANS FOR ALL HISTORIC KEYNOTES AT EXISTING DOOR AND WINDOW OPENINGS AND OTHER HISTORIC EXTERIOR ELEMENTS.
- REFER TO APPROVED HISTORIC PRESERVATION CERTIFICATION APPLICATION PART 2 AND SPECIFICATIONS FOR MASONRY AND STONE REPAIR AND CLEANING.
- EXISTING UNPAINTED BRICK AND STONE TO REMAIN UNPAINTED. EXISTING PAINTED BRICK AND STONE TO BE REPAINTED.
- ALL COLORS TO BE SELECTED BY OWNER / ARCHITECT DURING CONSTRUCTION. BIDDERS ARE TO ASSUME MINIMUM 3 EXTERIOR PAINT COLORS PER BUILDING.
- ALL HISTORIC WINDOW SHUTTER HARDWARE SHOULD REMAIN (EVEN IF SHUTTER WAS PREVIOUSLY REMOVED) REPAIR, CLEAN, AND PAINT.

NEW WORK ELEVATION GENERAL NOTES

- REFER TO NEW WORK FLOOR PLANS FOR ALL DOOR TAGS.
- INSTALL NEW WINDOWS PER WINDOW SCHEDULE AND DETAILS. FOR HISTORIC WOOD BRICKMOULD TO REMAIN, PATCH TO MATCH HISTORIC WHERE MISSING. REPAIR TO MATCH HISTORIC WHERE DETERIORATED. PRIME AND PAINT.
- REVIEW, REPLACE ALL MISSING, CRACKED, ERODED, OR SPALLED BRICKS WITH SALVAGED HISTORIC BRICKS OR NEW BRICKS TO MATCH. EXERCISE CARE SO AS NOT TO DAMAGE ADJACENT HISTORIC BRICKS TO REMAIN. REPORT ALL MISSING, DETERIORATED, OR SOFT MORTAR JOINTS IN ALL MASONRY. VERIFY COLOR MATCH WITH ARCHITECT PRIOR TO BEGINNING WORK. SEE STRUCTURAL DRAWING.
- CONTRACTOR TO SURVEY MASONRY PRIOR TO BIDDING WORK TO QUANTIFY SCOPE OF REPAIR. CONTRACTOR SHALL SUBMIT UNIT PRICING FOR ADDITIONAL BRICK MASONRY REPAIRS NOT SHOWN ON STRUCTURAL DRAWINGS.
- INFILL EXISTING PENETRATIONS OF THE EXTERIOR MASONRY WALLS TO MATCH ADJACENT SURFACES.
- REPLACE CRACKED STONE LINTELS AND SILLS TO MATCH EXISTING. SEE STRUCTURAL DRAWINGS.
- PAINT ALL PREVIOUSLY PAINTED BRICK AND STONE MASONRY SURFACES. COLOR TO BE SELECTED BY ARCHITECT. ALL PREVIOUSLY UNPAINTED BRICK AND STONE MASONRY TO REMAIN UNPAINTED.
- PAINT HISTORIC CAST IRON, STONE AND WOOD STOREFRONT ELEMENTS. COLOR TO BE SELECTED BY ARCHITECT.
- PAINT HISTORIC ROOF CORNICE ELEMENTS. COLOR TO BE SELECTED BY ARCHITECT.
- VERIFY THE CONDITION OF INTERIOR WOOD LINTELS. REPAIR OR REPLACE AS REQUIRED.
- ALL CHIMNEYS & ASSOCIATED ELEMENTS ARE TO REMAIN. U.N.O. PROVIDE BRICK REPAIRS AS REQUIRED AND CAP IF NOT ALREADY CAPPED. VERIFY STRUCTURAL INTEGRITY IN FIELD - SEE NOTES ON STRUCTURAL DWGS.
- COORDINATE WITH MECHANICAL, ELECTRICAL, AND PLUMBING DRAWINGS FOR NEW PENETRATIONS (NEW PENETRATIONS FOR CONDUIT, DUCTS, PIPES, ETC., ARE NOT ILLUSTRATED ON THESE DRAWINGS).
- EXISTING FIRE ESCAPE TO REMAIN. GENERAL CONTRACTOR SHALL BE RESPONSIBLE FOR FIRE ESCAPE EXAMINATION INSPECTION AND REPAIRS PER CITY OF CINCINNATI. CLEAN AND PAINT.

NEW WORK ELEVATION KEYNOTES

- HISTORIC CAST IRON/STONE STOREFRONT ELEMENTS TO REMAIN, REPAIR, CLEAN AND PAINT.
- PROVIDE NEW WINDOWS PER WINDOW SCHEDULE AND DETAILS. FOR HISTORIC WOOD BRICKMOULD TO REMAIN, PATCH TO MATCH HISTORIC WHERE MISSING. REPAIR TO MATCH HISTORIC WHERE DETERIORATED. PRIME AND PAINT.
- PROVIDE NEW STOREFRONT KNEE WALL. REFER TO STOREFRONT DETAILS.
- HISTORIC CORNICE, BRACKETS AND MOULDING TO REMAIN. REPAIR DETERIORATED ELEMENTS TO MATCH EXISTING. CLEAN AND PAINT.
- REPLACE DETERIORATED WOOD RAKE BOARD. COLOR BY ARCHITECT.
- PROVIDE NEW PRE-FINISHED ALUMINUM CAP OVER HISTORIC STONE CHIMNEY CAP. SLOPE TO SHED WATER. COLOR BY ARCHITECT.
- NEW WALL-MOUNTED DECORATIVE OR SECURITY LIGHT FIXTURE. REFER TO ELECTRICAL DRAWINGS.
- HISTORIC WOOD BOXY GUTTER TO REMAIN. REPAIR ALL DETERIORATED ELEMENTS. PRIME AND PAINT. PROVIDE NEW TPO ROOF MEMBRANE LINER AND SLOPE TO DRAIN TO NEW DOWNSPOUT LOCATION.
- REPAIR STRUCTURE AT UNDERSIDE OF BAY WINDOW IF REQUIRED. PROVIDE NEW FIBER CEMENT PANEL AFTER REPAIR WORK IS COMPLETED. PAINT.
- REINSTALL HISTORIC WOOD SHUTTERS. REPAIR AND PAINT. EXPOSED HARDWARE TO REMAIN. CLEAN AND PAINT.
- EXISTING CAST IRON OR STONE STEP TO REMAIN. REPAIR AS REQUIRED.
- NEW HVAC EQUIPMENT. REFER TO MECHANICAL DRAWINGS.
- NEW 47" TALL STEEL GUARDRAIL WITH MEMBERS SPACED TO PREVENT PASSAGE OF 2" DIA. SPHERE. PAINT, COLOR BY ARCHITECT. REFER TO STRUCTURAL DRAWINGS FOR LOADING CRITERIA.
- NEW 6" TALL ALUMINUM FENCE AND GATE.
- NEW INTERCOM SYSTEM TIED TO ELECTRIC DOOR HARDWARE. REFER TO ELECTRICAL DRAWINGS.
- NEW PRE-FINISHED ALUMINUM HUNG GUTTER.
- NEW PRE-FINISHED ALUMINUM DOWNSPOUT. PROVIDE CAST IRON BOOT. EXTEND BOOT 6" ABOVE GRADE. CONNECT CONNECTION TO STORM LINE - SEE PLUMBING DRAWINGS.
- PROVIDE NEW CONCRETE SLOPED SLAB TO ACCOMMODATE NEW ACCESSIBLE WALKWAY. SEE STRUCTURAL DRAWINGS.
- EXIST NON-HISTORIC DOOR/WINDOW INFILL TO REMAIN. GENERAL CONTRACTOR SHALL VERIFY THE INTEGRITY OF THE EXISTING INFILL. REPAIR AND PAINT.
- NEW BRICK MASONRY INFILL IN HISTORIC OPENING. RECESSED 2" FROM FACE OF ADJACENT MASONRY. NEW BRICK INFILL TO MATCH HISTORIC BRICK.
- NEW EXHAUST LOUVERS. COLOR BY ARCHITECT.
- NEW CONCRETE SLAB. SEE STRUCTURAL DRAWINGS.
- EXISTING CONCRETE STEPS TO REMAIN. REPAIR AS REQUIRED.
- PROVIDE NEW CONCRETE STEPS AT ENTRY. MAX. RISE 7" - MIN. RUN, 11". SEE STRUCTURAL DRAWINGS.
- PROVIDE NEW MASONRY (STAR) WALL TIES. SEE STRUCTURAL DRAWINGS. PAINT TO MATCH WALL COLOR.
- PROVIDE NEW CAUL INFILL AT HISTORIC OPENING. RECESS 2" FROM FACE OF ADJACENT MASONRY. PROVIDE PARGE COAT AND PAINT.
- EXIST. MASONRY PARAPET WITH TERRA COTTA COPING CAP. RESET IF REQUIRED. SEE NEW WORK ROOF PLAN.
- EXISTING HISTORIC WOOD DOORS TO REMAIN IN THE CLOSED POSITION. REPAIR AND PAINT.
- EXISTING STEEL HOIST BEAM TO REMAIN. VERIFY STRUCTURAL INTEGRITY. REPAIR AND PAINT.
- PROVIDE NEW WOOD PANELED INFILL WALL WITH TRANSOMS ABOVE. SEE DETAIL.
- EXISTING F.E. TO REMAIN. GENERAL CONTRACTOR SHALL BE RESPONSIBLE FOR FIRE ESCAPE EXAMINATION INSPECTION AND REPAIRS PER CITY OF CINCINNATI. CLEAN AND PAINT.
- PROVIDE NEW DOOR OPENER PUSH PLATE W/ INTERNATIONAL SYMBOL OF ACCESSIBILITY. MOUNTED 48" MAXIMUM AFF. SEE NEW WORK PLAN FOR ADDITIONAL INFORMATION.
- EXISTING WOOD CEILING ABOVE TO REMAIN. REPAIR AS REQ'D. PAINT.
- USPS APPROVED RESIDENTIAL STYLE EXTERIOR GRADE LOCKABLE MAILBOX. MOUNT SO KEY IS 48" MAX ABOVE GRADE. SEE NEW WORK PLANS.
- NEW STEEL BEAM WITH NEW COVERPLATES. COVERPLATES TO MATCH EXISTING. REFER TO STRUCTURAL.
- CEMENT FIBER BOARD SHEET (HARDIE PANEL VERTICAL SIDING, SMOOTH, OR EQUAL), NO EXPOSED SEAMS. SEE WALL TYPE "N", PAINTED.
- 1X CEDAR TRIM. PAINTED.
- 3/4" CEDAR QUARTER ROUND AT PERIMETER OF OPENING. PAINTED.



1 A6.1 NEW WORK SOUTH EXTERIOR ELEVATION
1/4" = 1'-0"



NOT FOR CONSTRUCTION

CITYSTUDIOS
ARCHITECTURE
1148 Main Street
Cincinnati, OH 45202
ph. 513.621.0750
citystudiosarch.com

advantage
STRUCTURAL ENGINEERS
1527 Madison Road
Cincinnati, OH 45206
513.386.8900
www.advantageSE.com

VIQX&VIQX
MECHANICAL ENGINEERS
1111 North Main Street, Suite 200
Cincinnati, OH 45202
513.263.8800
www.viqxandviqx.com

PE Services
1-513-836-3810
9 North Broadway
Lebanon, OH 45046
513-836-3810

RUSS ALLEY
1623 -1625 VINE STREET, 1624 REPUBLIC STREET
(1625 VINE HPTC APPLICATION)
CINCINNATI, OH 45202

3CDC CINCINNATI
CENTER CITY
DEVELOPMENT
CORPORATION

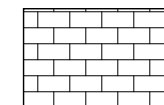



ISSUE LOG:
06.02.2023
ISSUE FOR PERMIT
07.14.2023
PERMIT REVISION 1
09.21.2023
OHFA PRELIM. SUBMISSION

NEW WORK
SOUTH EXTERIOR ELEVATION

A6.1

PRELIMINARY:
NOT FOR CONSTRUCTION

NEW WORK ELEVATION GRAPHIC KEY

-  NEW BRICK INFILL: MATCH EXISTING ADJACENT BRICK COLOR, SIZE, AND TEXTURE. AT INFILLED WINDOW AND DOOR OPENINGS, SET FACE OF BRICK BACK 2" FROM FACE OF ADJACENT BRICK.
-  6" x 6" PLASTIC LOUVERED WALL VENT CAP. COLOR TO BLEND WITH BRICK. 8" x 8" VENTS CORRESPOND TO 4" DIAMETER KITCHEN/BATHROOM/CLOTHES DRYER EXHAUST DUCTS.
-  8" x 8" PLASTIC LOUVERED WALL VENT CAP. COLOR TO BLEND WITH BRICK. 10" x 10" VENTS CORRESPOND TO 8" DIAMETER KITCHEN/BATHROOM/CLOTHES DRYER EXHAUST DUCTS.
-  10" x 10" PLASTIC LOUVERED WALL VENT CAP. COLOR TO BLEND WITH BRICK. 12" x 12" VENTS CORRESPOND TO 10" DIAMETER KITCHEN/BATHROOM/CLOTHES DRYER EXHAUST DUCTS.

NEW WORK ELEVATION HISTORIC NOTES

- REFER TO NEW WORK PLANS FOR ALL HISTORIC KEYNOTES AT EXISTING DOOR AND WINDOW OPENINGS AND OTHER HISTORIC EXTERIOR ELEMENTS.
- REFER TO APPROVED HISTORIC PRESERVATION CERTIFICATION APPLICATION PART 2 AND SPECIFICATIONS FOR MASONRY AND STONE REPAIR AND CLEANING.
- EXISTING UNPAINTED BRICK AND STONE TO REMAIN UNPAINTED. EXISTING PAINTED BRICK AND STONE TO BE REPAINTED.
- ALL COLORS TO BE SELECTED BY OWNER / ARCHITECT DURING CONSTRUCTION. BIDDERS ARE TO ASSUME MINIMUM 3 EXTERIOR PAINT COLORS PER BUILDING.
- ALL HISTORIC WINDOW SHUTTER HARDWARE SHOULD REMAIN (EVEN IF SHUTTER WAS PREVIOUSLY REMOVED) REPAIR, CLEAN, AND PAINT.

NEW WORK ELEVATION GENERAL NOTES

- REFER TO NEW WORK FLOOR PLANS FOR ALL DOOR TAGS.
- INSTALL NEW WINDOWS PER WINDOW SCHEDULE AND DETAILS. FOR HISTORIC WOOD BRICKMOULD TO REMAIN. PATCH TO MATCH HISTORIC WHERE MISSING. REPAIR TO MATCH HISTORIC WHERE DETERIORATED. PRIME AND PAINT.
- REVIEW, REPLACE ALL MISSING, CRACKED, ERODED, OR SPALLED BRICKS WITH SALVAGED HISTORIC BRICKS OR NEW BRICKS TO MATCH. EXERCISE CARE SO AS NOT TO DAMAGE ADJACENT HISTORIC BRICKS TO REMAIN. REPORT ALL MISSING, DETERIORATED, OR SOFT MORTAR JOINTS IN ALL MASONRY. VERIFY COLOR MATCH WITH ARCHITECT PRIOR TO BEGINNING WORK. SEE STRUCTURAL DRAWING.
- CONTRACTOR TO SURVEY MASONRY PRIOR TO BIDDING WORK TO QUANTIFY SCOPE OF REPAIR. CONTRACTOR SHALL SUBMIT UNIT PRICING FOR ADDITIONAL BRICK MASONRY REPAIRS NOT SHOWN ON STRUCTURAL DRAWINGS.
- INFILL EXISTING PENETRATIONS OF THE EXTERIOR MASONRY WALLS TO MATCH ADJACENT SURFACES.
- REPLACE CRACKED STONE LINTELS AND SILLS TO MATCH EXISTING. SEE STRUCTURAL DRAWINGS.
- PAINT ALL PREVIOUSLY PAINTED BRICK AND STONE MASONRY SURFACES. COLOR TO BE SELECTED BY ARCHITECT. ALL PREVIOUSLY UNPAINTED BRICK AND STONE MASONRY TO REMAIN UNPAINTED.
- PAINT HISTORIC CAST IRON, STONE AND WOOD STOREFRONT ELEMENTS. COLOR TO BE SELECTED BY ARCHITECT.
- PAINT HISTORIC ROOF CORNICE ELEMENTS. COLOR TO BE SELECTED BY ARCHITECT.
- VERIFY THE CONDITION OF INTERIOR WOOD LINTELS. REPAIR OR REPLACE AS REQUIRED.
- ALL CHIMNEYS & ASSOCIATED ELEMENTS ARE TO REMAIN. U.N.O. PROVIDE BRICK REPAIRS AS REQUIRED AND CAP IF NOT ALREADY CAPPED. VERIFY STRUCTURAL INTEGRITY IN FIELD - SEE NOTES ON STRUCTURAL DWGS.
- COORDINATE WITH MECHANICAL, ELECTRICAL, AND PLUMBING DRAWINGS FOR NEW PENETRATIONS (NEW PENETRATIONS FOR CONDUIT, DUCTS, PIPES, ETC., ARE NOT ILLUSTRATED ON THESE DRAWINGS).
- EXISTING FIRE ESCAPE TO REMAIN. GENERAL CONTRACTOR SHALL BE RESPONSIBLE FOR FIRE ESCAPE EXAMINATION INSPECTION AND REPAIRS PER CITY OF CINCINNATI. CLEAN AND PAINT.

NEW WORK ELEVATION KEYNOTES

1. HISTORIC CAST IRON/STONE STOREFRONT ELEMENTS TO REMAIN. REPAIR, CLEAN AND PAINT.
2. PROVIDE NEW CONCRETE CURB IF EXISTING CURB IS DETERIORATED, MISSING, OR REQUIRED FOR NEW SIDEWALK WORK OR NEW ACCESSIBLE ENTRANCE. SEE STRUCTURAL DRAWINGS.
3. PROVIDE NEW STOREFRONT KNEE WALL. REFER TO STOREFRONT DETAILS.
4. HISTORIC CORNICE, BRACKETS AND MOULDING TO REMAIN. REPAIR DETERIORATED ELEMENTS TO MATCH EXISTING. CLEAN AND PAINT.
5. REPLACE DETERIORATED WOOD RAKE BOARD. COLOR BY ARCHITECT.
6. PROVIDE NEW PREFINISHED ALUMINUM CAP OVER HISTORIC STONE CHIMNEY CAP. SLOPE TO SHED WATER. COLOR BY ARCHITECT.
7. NEW WALL-MOUNTED DECORATIVE OR SECURITY LIGHT FIXTURE. REFER TO ELECTRICAL DRAWINGS.
8. HISTORIC WOOD BOXY GUTTER TO REMAIN. REPAIR ALL DETERIORATED ELEMENTS. PRIME AND PAINT. PROVIDE NEW IPO ROOF MEMBRANE LINER AND SLOPE TO DRAIN TO NEW DOWNSPOUT LOCATION.
9. REPAIR STRUCTURE AT UNDERSIDE OF BAY WINDOW IF REQUIRED. PROVIDE NEW FIBER CEMENT PANEL AFTER REPAIR WORK IS COMPLETED. PAINT.
10. REINSTALL HISTORIC WOOD SHUTTERS. REPAIR AND PAINT. EXPOSED HARDWARE TO REMAIN. CLEAN AND PAINT.
11. EXISTING CAST IRON OR STONE STEP TO REMAIN. REPAIR AS REQUIRED.
12. NEW HVAC EQUIPMENT. REFER TO MECHANICAL DRAWINGS.
13. NEW 47" TALL STEEL GUARDRAIL WITH MEMBERS SPACED TO PREVENT PASSAGE OF 21" DIA. SPHERE. PAINT, COLOR BY ARCHITECT. REFER TO STRUCTURAL DRAWINGS FOR LOADING CRITERIA.
14. NEW 6" TALL ALUMINUM FENCE AND GATE.
15. NEW INTERCOM SYSTEM TIED TO ELECTRIC DOOR HARDWARE. REFER TO ELECTRICAL DRAWINGS.
16. NEW PRE-FINISHED ALUMINUM HUNG GUTTER.
17. NEW PRE-FINISHED ALUMINUM DOWNSPOUT. PROVIDE CAST IRON BOOT. EXTEND BOOT 6" ABOVE GRADE. CONNECT CONNECTION TO STORM LINE - SEE PLUMBING DRAWINGS.
18. PROVIDE NEW CONCRETE SLOPED SLAB TO ACCOMMODATE NEW ACCESSIBLE WALKWAY. SEE STRUCTURAL DRAWINGS.
19. EXIST NON-HISTORIC DOOR/WINDOW INFILL TO REMAIN. GENERAL CONTRACTOR SHALL VERIFY THE INTEGRITY OF THE EXISTING INFILL. REPAIR AND PAINT.
20. NEW BRICK MASONRY INFILL IN HISTORIC OPENING. RECESSED 2" FROM FACE OF ADJACENT MASONRY. NEW BRICK INFILL TO MATCH HISTORIC BRICK.
21. NEW EXHAUST LOUVERS. COLOR BY ARCHITECT.
22. NEW CONCRETE SLAB. SEE STRUCTURAL DRAWINGS.
23. EXISTING CONCRETE STEPS TO REMAIN. REPAIR AS REQUIRED.
24. PROVIDE NEW CONCRETE STEPS AT ENTRY. MAX. RISE 7"-MIN. RUN. 11". SEE STRUCTURAL DRAWINGS.
25. PROVIDE NEW MASONRY (STAR) WALL TIES. SEE STRUCTURAL DRAWINGS. PAINT TO MATCH WALL COLOR.
26. PROVIDE NEW CAULI INFILL AT HISTORIC OPENING. RECESS 2" FROM FACE OF ADJACENT MASONRY. PROVIDE PARGE COAT AND PAINT.
27. EXIST. MASONRY PARAPET WITH TERRA COTTA COPING CAP. RESET IF REQUIRED. SEE NEW WORK ROOF PLAN.
28. EXISTING HISTORIC WOOD DOORS TO REMAIN IN THE CLOSED POSITION. REPAIR AND PAINT.
29. EXISTING STEEL HOIST BEAM TO REMAIN. VERIFY STRUCTURAL INTEGRITY. REPAIR AND PAINT.
30. PROVIDE NEW WOOD PANELED INFILL WALL WITH TRANSOMS ABOVE. SEE DETAIL.
31. EXISTING F.E. TO REMAIN. GENERAL CONTRACTOR SHALL BE RESPONSIBLE FOR FIRE ESCAPE EXAMINATION INSPECTION AND REPAIRS PER CITY OF CINCINNATI. CLEAN AND PAINT.
32. PROVIDE NEW DOOR OPENER PUSH PLATE W/ INTERNATIONAL SYMBOL OF ACCESSIBILITY. MOUNTED 48" MAXIMUM AFF. SEE NEW WORK PLAN FOR ADDITIONAL INFORMATION.
33. EXISTING WOOD CEILING ABOVE TO REMAIN. REPAIR AS REQ'D. PAINT.
34. USPS APPROVED RESIDENTIAL STYLE EXTERIOR GRADE LOCKABLE MAILBOX. MOUNT SO KEY IS 48" MAX ABOVE GRADE. SEE NEW WORK PLANS.
35. NEW STEEL BEAM WITH NEW COVERPLATES. COVERPLATES TO MATCH EXISTING. REFER TO STRUCTURAL.
36. CEMENT FIBER BOARD SHEET (HARDEE PANEL VERTICAL SIDING, SMOOTH, OR EQUAL), NO EXPOSED SEAMS. SEE WALL TYPE 'N'. PAINTED.
37. 1X CEDAR TRIM. PAINTED.
38. 3/4" CEDAR QUARTER ROUND AT PERIMETER OF OPENING. PAINTED.



NEW WORK WEST EXTERIOR ELEVATION - REPUBLIC STREET

1 A6.2 1/4" = 1'-0"



NOT FOR CONSTRUCTION

CITYSTUDIOS
ARCHITECTURE
1148 Main Street
Cincinnati, OH 45202
ph. 513.621.0750
citystudiosarch.com

advantage
STRUCTURAL ENGINEERS
1527 Madison Road
Cincinnati, OH 45206
513.386.8900
www.advantageSE.com

VIOX&VIOX
MECHANICAL ENGINEERS
1000 North Broadway
Lebanon, OH 45046
513.836.3810
www.vioxandviox.com

PE Services
1-513-836-3810
9 North Broadway
Lebanon, OH 45046
513-836-3810

RUSS ALLEY
 1623 -1625 VINE STREET, 1624 REPUBLIC STREET
 (1625 VINE HPTC APPLICATION)
 CINCINNATI, OH 45202

3CDC CINCINNATI CENTER CITY DEVELOPMENT CORPORATION

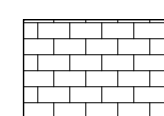



ISSUE LOG:
 06.02.2023 ISSUE FOR PERMIT
 07.14.2023 PERMIT REVISION 1
 09.21.2023 OHFA PRELIM. SUBMISSION

NEW WORK WEST EXTERIOR ELEVATION

A6.2

PRELIMINARY:
NOT FOR CONSTRUCTION

NEW WORK ELEVATION GRAPHIC KEY

-  NEW BRICK INFILL: MATCH EXISTING ADJACENT BRICK COLOR, SIZE, AND TEXTURE. AT INFILLED WINDOW AND DOOR OPENINGS, SET FACE OF BRICK BACK 2" FROM FACE OF ADJACENT BRICK.
-  6" x 6" PLASTIC LOUVERED WALL VENT CAP. COLOR TO BLEND WITH BRICK. 8" x 8" VENTS CORRESPOND TO 4" DIAMETER KITCHEN/BATHROOM/CLOTHES DRYER EXHAUST DUCTS.
-  8" x 8" PLASTIC LOUVERED WALL VENT CAP. COLOR TO BLEND WITH BRICK. 10" x 10" VENTS CORRESPOND TO 8" DIAMETER KITCHEN/BATHROOM/CLOTHES DRYER EXHAUST DUCTS.
-  10" x 10" PLASTIC LOUVERED WALL VENT CAP. COLOR TO BLEND WITH BRICK. 12" x 12" VENTS CORRESPOND TO 10" DIAMETER KITCHEN/BATHROOM/CLOTHES DRYER EXHAUST DUCTS.

NEW WORK ELEVATION HISTORIC NOTES

- REFER TO NEW WORK PLANS FOR ALL HISTORIC KEYNOTES AT EXISTING DOOR AND WINDOW OPENINGS AND OTHER HISTORIC EXTERIOR ELEMENTS.
- REFER TO APPROVED HISTORIC PRESERVATION CERTIFICATION APPLICATION PART 2 AND SPECIFICATIONS FOR MASONRY AND STONE REPAIR AND CLEANING.
- EXISTING UNPAINTED BRICK AND STONE TO REMAIN UNPAINTED. EXISTING PAINTED BRICK AND STONE TO BE REPAINTED.
- ALL COLORS TO BE SELECTED BY OWNER / ARCHITECT DURING CONSTRUCTION. BIDDERS ARE TO ASSUME MINIMUM 3 EXTERIOR PAINT COLORS PER BUILDING.
- ALL HISTORIC WINDOW SHUTTER HARDWARE SHOULD REMAIN (EVEN IF SHUTTER WAS PREVIOUSLY REMOVED) REPAIR, CLEAN, AND PAINT.

NEW WORK ELEVATION GENERAL NOTES

- REFER TO NEW WORK FLOOR PLANS FOR ALL DOOR TAGS.
- INSTALL NEW WINDOWS PER WINDOW SCHEDULE AND DETAILS. FOR HISTORIC WOOD BRICKMOULD TO REMAIN. PATCH TO MATCH HISTORIC WHERE MISSING. REPAIR TO MATCH HISTORIC WHERE DETERIORATED. PRIME AND PAINT.
- REVIEW, REPLACE ALL MISSING, CRACKED, ERODED, OR SPALLED BRICKS WITH SALVAGED HISTORIC BRICKS OR NEW BRICKS TO MATCH. EXERCISE CARE SO AS NOT TO DAMAGE ADJACENT HISTORIC BRICKS TO REMAIN. REPORT ALL MISSING, DETERIORATED, OR SOFT MORTAR JOINTS IN ALL MASONRY. VERIFY COLOR MATCH WITH ARCHITECT PRIOR TO BEGINNING WORK. SEE STRUCTURAL DRAWING.
- CONTRACTOR TO SURVEY MASONRY PRIOR TO BIDDING WORK TO QUANTIFY SCOPE OF REPAIR. CONTRACTOR SHALL SUBMIT UNIT PRICING FOR ADDITIONAL BRICK MASONRY REPAIRS NOT SHOWN ON STRUCTURAL DRAWINGS.
- INFILL EXISTING PENETRATIONS OF THE EXTERIOR MASONRY WALLS TO MATCH ADJACENT SURFACES.
- REPLACE CRACKED STONE LINTELS AND SILLS TO MATCH EXISTING. SEE STRUCTURAL DRAWINGS.
- PAINT ALL PREVIOUSLY PAINTED BRICK AND STONE MASONRY SURFACES. COLOR TO BE SELECTED BY ARCHITECT. ALL PREVIOUSLY UNPAINTED BRICK AND STONE MASONRY TO REMAIN UNPAINTED.
- PAINT HISTORIC CAST IRON, STONE AND WOOD STOREFRONT ELEMENTS. COLOR TO BE SELECTED BY ARCHITECT.
- VERIFY THE CONDITION OF INTERIOR WOOD LINTELS. REPAIR OR REPLACE AS REQUIRED.
- ALL CHIMNEYS & ASSOCIATED ELEMENTS ARE TO REMAIN. U.N.O. PROVIDE BRICK REPAIRS AS REQUIRED AND CAP IF NOT ALREADY CAPPED. VERIFY STRUCTURAL INTEGRITY IN FIELD - SEE NOTES ON STRUCTURAL DWGS.
- COORDINATE WITH MECHANICAL, ELECTRICAL, AND PLUMBING DRAWINGS FOR NEW PENETRATIONS (NEW PENETRATIONS FOR CONDUIT, DUCTS, PIPES, ETC., ARE NOT ILLUSTRATED ON THESE DRAWINGS).
- EXISTING FIRE ESCAPE TO REMAIN. GENERAL CONTRACTOR SHALL BE RESPONSIBLE FOR FIRE ESCAPE EXAMINATION INSPECTION AND REPAIRS PER CITY OF CINCINNATI. CLEAN AND PAINT.

NEW WORK ELEVATION KEYNOTES

1. HISTORIC CAST IRON/STONE STOREFRONT ELEMENTS TO REMAIN. REPAIR, CLEAN AND PAINT.
2. PROVIDE NEW CONCRETE CURB IF EXISTING CURB IS DETERIORATED, MISSING, OR REQUIRED FOR NEW SIDEWALK WORK OR NEW ACCESSIBLE ENTRANCE. SEE STRUCTURAL DRAWINGS.
3. PROVIDE NEW STOREFRONT KNEE WALL. REFER TO STOREFRONT DETAILS.
4. HISTORIC CORNICE, BRACKETS AND MOULDING TO REMAIN. REPAIR DETERIORATED ELEMENTS TO MATCH EXISTING. CLEAN AND PAINT.
5. REPLACE DETERIORATED WOOD RAKE BOARD. COLOR BY ARCHITECT.
6. PROVIDE NEW PRE-FINISHED ALUMINUM CAP OVER HISTORIC STONE CHIMNEY CAP. SLOPE TO SHED WATER. COLOR BY ARCHITECT.
7. NEW WALL-MOUNTED DECORATIVE OR SECURITY LIGHT FIXTURE. REFER TO ELECTRICAL DRAWINGS.
8. HISTORIC WOOD BOXY GUTTERS TO REMAIN. REPAIR ALL DETERIORATED ELEMENTS. PRIME AND PAINT. PROVIDE NEW TPO ROOF MEMBRANE LINER AND SLOPE TO DRAIN TO NEW DOWNSPOUT LOCATION.
9. REPAIR STRUCTURE AT UNDERSIDE OF BAY WINDOW IF REQUIRED. PROVIDE NEW FIBER CEMENT PANEL AFTER REPAIR WORK IS COMPLETED. PAINT.
10. REINSTALL HISTORIC WOOD SHUTTERS. REPAIR AND PAINT. EXPOSED HARDWARE TO REMAIN. CLEAN AND PAINT.
11. EXISTING CAST IRON OR STONE STEP TO REMAIN. REPAIR AS REQUIRED.
12. NEW HVAC EQUIPMENT. REFER TO MECHANICAL DRAWINGS.
13. NEW 47" TALL STEEL GUARDRAIL WITH MEMBERS SPACED TO PREVENT PASSAGE OF 21" DIA. SPHERE. PAINT, COLOR BY ARCHITECT. REFER TO STRUCTURAL DRAWINGS FOR LOADING CRITERIA.
14. NEW 6" TALL ALUMINUM FENCE AND GATE.
15. NEW INTERCOM SYSTEM TIED TO ELECTRIC DOOR HARDWARE. REFER TO ELECTRICAL DRAWINGS.
16. NEW PRE-FINISHED ALUMINUM HUNG GUTTER.
17. NEW PRE-FINISHED ALUMINUM DOWNSPOUT. PROVIDE CAST IRON BOOT. EXTEND BOOT 6" ABOVE GRADE. CONNECT CONNECTION TO STORM LINE - SEE PLUMBING DRAWINGS.
18. PROVIDE NEW CONCRETE SLOPED SLAB TO ACCOMMODATE NEW ACCESSIBLE WALKWAY. SEE STRUCTURAL DRAWINGS.
19. EXIST NON-HISTORIC DOOR/WINDOW INFILL TO REMAIN. GENERAL CONTRACTOR SHALL VERIFY THE INTEGRITY OF THE EXISTING INFILL. REPAIR AND PAINT.
20. NEW BRICK MASONRY INFILL IN HISTORIC OPENING. RECESSED 2" FROM FACE OF ADJACENT MASONRY. NEW BRICK INFILL TO MATCH HISTORIC BRICK.
21. NEW EXHAUST LOUVERS. COLOR BY ARCHITECT.
22. NEW CONCRETE SLAB. SEE STRUCTURAL DRAWINGS.
23. EXISTING CONCRETE STEPS TO REMAIN. REPAIR AS REQUIRED.
24. PROVIDE NEW CONCRETE STEPS AT ENTRY. MAX. RISE 7" - MIN. RUN, 11". SEE STRUCTURAL DRAWINGS.
25. PROVIDE NEW MASONRY (STAR) WALL TIES. SEE STRUCTURAL DRAWINGS. PAINT TO MATCH WALL COLOR.
26. PROVIDE NEW CAULI INFILL AT HISTORIC OPENING. RECESS 2" FROM FACE OF ADJACENT MASONRY. PROVIDE PARGE COAT AND PAINT.
27. EXIST. MASONRY PARAPET WITH TERRA COTTA COPING CAP. RESET IF REQUIRED. SEE NEW WORK ROOF PLAN.
28. EXISTING HISTORIC WOOD DOORS TO REMAIN IN THE CLOSED POSITION. REPAIR AND PAINT.
29. EXISTING STEEL HOIST BEAM TO REMAIN. VERIFY STRUCTURAL INTEGRITY. REPAIR AND PAINT.
30. PROVIDE NEW WOOD PANELED INFILL WALL WITH TRANSOMS ABOVE. SEE DETAIL.
31. EXISTING F.E. TO REMAIN. GENERAL CONTRACTOR SHALL BE RESPONSIBLE FOR FIRE ESCAPE EXAMINATION INSPECTION AND REPAIRS PER CITY OF CINCINNATI. CLEAN AND PAINT.
32. PROVIDE NEW DOOR OPENER PUSH PLATE W/ INTERNATIONAL SYMBOL OF ACCESSIBILITY. MOUNTED 48" MAXIMUM AFF. SEE NEW WORK PLAN FOR ADDITIONAL INFORMATION.
33. EXISTING WOOD CEILING ABOVE TO REMAIN. REPAIR AS REQ'D. PAINT.
34. USFS APPROVED RESIDENTIAL STYLE EXTERIOR GRADE LOCKABLE MAILBOX. MOUNT SO KEY IS 48" MAX ABOVE GRADE. SEE NEW WORK PLANS.
35. NEW STEEL BEAM WITH NEW COVERPLATES. COVERPLATES TO MATCH EXISTING. REFER TO STRUCTURAL.
36. CEMENT FIBER BOARD SHEET (HARDIE PANEL VERTICAL SIDING, SMOOTH, OR EQUAL), NO EXPOSED SEAMS. SEE WALL TYPE 'N'. PAINTED.
37. 1X CEDAR TRIM. PAINTED.
38. 3/4" CEDAR QUARTER ROUND AT PERIMETER OF OPENING. PAINTED.



NEW WORK NORTH EXTERIOR ELEVATION
 1/4" = 1'-0"



NOT FOR CONSTRUCTION

CITYSTUDIOS ARCHITECTURE
 1148 Main Street
 Cincinnati, OH 45202
 ph. 513.421.0750
 citystudiosarch.com

advantage
 STRUCTURAL ENGINEERS
 1527 Madison Road
 Cincinnati, OH 45206
 513.386.8900
 www.advantageSE.com

VIQX&VIQX
 1148 Main Street
 Cincinnati, OH 45202
 513.421.0750

PE Services
 1-513-836-3810
 9 North Broadway
 Lebanon, OH 45046
 513-836-3810

RUSS ALLEY
 1623 -1625 VINE STREET, 1624 REPUBLIC STREET
 (1625 VINE HPTC APPLICATION)
 CINCINNATI, OH 45202

3CDC CINCINNATI CENTER CITY DEVELOPMENT CORPORATION

ISSUE LOG:

06.02.2023	ISSUE FOR PERMIT
07.14.2023	PERMIT REVISION 1
09.21.2023	OHFA PRELIM. SUBMISSION

NOT FOR CONSTRUCTION

CITYSTUDIOS
ARCHITECTURE
1148 Main Street
Cincinnati, OH 45202
ph. 513.621.0750
citystudiosarch.com

advantage
STRUCTURAL ENGINEERS
1527 Madison Road
Cincinnati, OH 45206
513.396.8900
www.advantageSE.com

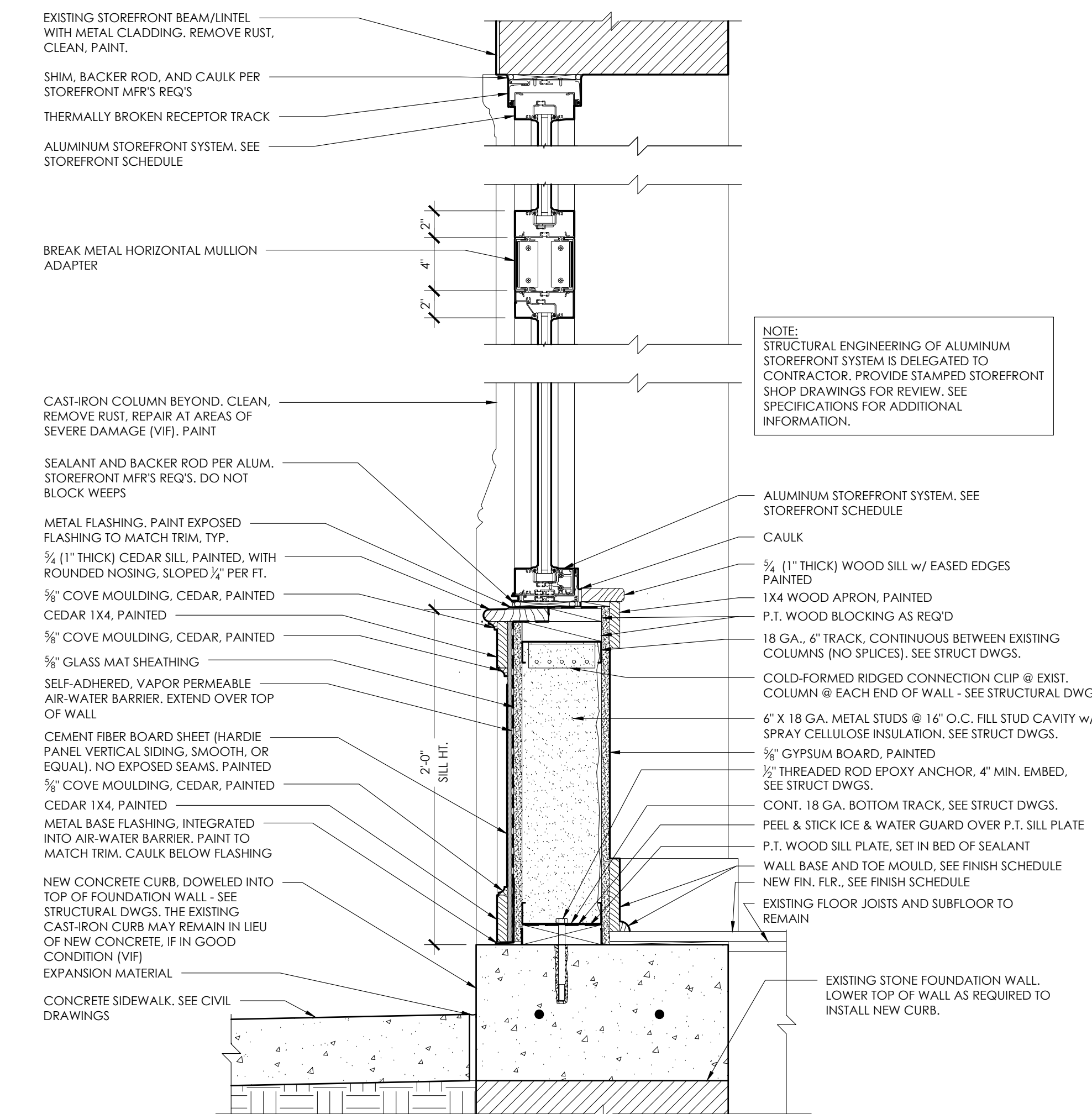
VIOX & VIOX
Civil Engineers, Surveyors, and Landscape Architects
1800 Springwood Avenue, Cincinnati, OH 45215
Phone: 513.333.4444 Fax: 513.333.4444 www.viox.com

PE Services
1-813-836-3810
www.pe-services.com
9 North Broadway
Lebanon, OH 45046
513-836-3810

RUSS ALLEY
1623 - 1625 VINE STREET, 1624 REPUBLIC STREET
(1625 VINE HPTC APPLICATION)
CINCINNATI, OH 45202

3CDC CINCINNATI CENTER CITY DEVELOPMENT CORPORATION

ISSUE LOG:
04.02.2023
ISSUE FOR PERMIT
07.14.2023
PERMIT REVISION 1
09.21.2023
OHFA PRELIM. SUBMISSION



SECTION DETAIL @ STOREFRONT & STOREFRONT BULKHEAD/KNEE WALL
1
A7.0
1 1/2" = 1'-0"

DETAILS
A7.0
PRELIMINARY:
NOT FOR CONSTRUCTION

ENLARGED PLANS AND INTERIOR ELEVATION GENERAL NOTES

- TYPICAL ENLARGED PLANS AND INTERIOR ELEVATIONS ARE DIAGRAMMATIC AND ARE FOR REFERENCE ONLY. REFER TO NEW WORK PLANS FOR SPECIFIC LAYOUTS INCLUDING CABINET SIZES (INDICATED IN INCHES) AND TYPES.
- COORDINATE WALL FRAMING AT SHOWERS AND BATHUBS WITH MANUFACTURER'S REQUIREMENTS.
- PROVIDE BLOCKING FOR WALL-HUNG ACCESSORIES. SEE SPECIFICATIONS.
- SEE MOLD & MOISTURE RESISTANT GYP. BOARD SCHEDULE ON A0.2 FOR ADDITIONAL INFORMATION.
- SEE PLUMBING DRAWINGS FOR PLUMBING FIXTURE SCHEDULE.
- IN ACCESSIBLE DWELLING UNITS, PROVIDE WALL SWITCHES FOR HOOD FAN & HOOD LIGHT IN ACCESSIBLE LOCATIONS OVER COUNTER. COORDINATE WITH ELECTRICAL DRAWINGS.
- NEW FLOORING TO EXTEND UNDER CABINETS.
- SEE ELECTRICAL DRAWINGS FOR ALL LIGHTING FIXTURES.
- BASE CABINETS AND WALL CABINETS TO HAVE FINISHED PANELS ON EXPOSED SIDES. TYPICAL.
- CABINET PULLS TO BE ANSI 117.1 COMPLIANT LOOP HANDLES. SEE SPECIFICATIONS.
- WHERE EXISTING WALL FRAMING OCCURS, VERIFY IN FIELD PRIOR TO ORDERING CABINETS AND/OR BATHUB/SHOWER BASES.

ENLARGED PLANS ANSI 117.1 ACCESSIBILITY CLEARANCES NOTES (SEE PLANS)

- 60" X 18" MIN. BEYOND LATCH DOOR CLEARANCE ON PULL SIDE (FRONT APPROACH).
- 48" X DOOR WIDTH DOOR CLEARANCE ON PUSH SIDE (FRONT APPROACH).
- 48" X 24" MIN. BEYOND LATCH DOOR CLEARANCE ON PULL SIDE (LATCH APPROACH).
- 30" X 48" CLEAR FLOOR SPACE AT REFRIGERATOR (SIDE APPROACH).
- 30" X 48" CLEAR FLOOR SPACE AT COOKTOP (SIDE APPROACH).
- 30" X 48" CLEAR FLOOR SPACE ADJACENT TO OVEN DOOR IN OPEN POSITION (SIDE APPROACH).
- 30" X 48" CLEAR FLOOR SPACE AT WORK SPACE (FRONT APPROACH).
- 30" X 48" CLEAR FLOOR SPACE AT KITCHEN SINK (FRONT APPROACH).
- 30" X 60" CLEAR FLOOR SPACE AT ROLL-IN SHOWER.
- 30" X 48" CLEAR FLOOR SPACE AT BATHROOM SINK (FRONT APPROACH).
- 66" X 60" CLEAR FLOOR SPACE AT TOILET.
- 30" X 48" CLEAR FLOOR SPACE AT TOILET.
- 60" DIAMETER TURNING RADIUS.
- 30" X 48" CLEAR FLOOR SPACE AT DISHWASHER (SIDE APPROACH).

ENLARGED PLANS AND INTERIOR ELEVATION KEYNOTES

- QUARTZ COUNTERTOP. SEE FINISH SCHEDULE ON A0.2 FOR ADDITIONAL INFO.
- 24" DEEP BASE CABINET WITH DRAWER AND ADJUSTABLE SHELVING. BASIS OF DESIGN IS SMART CABINERY WITH FULL PLYWOOD CONSTRUCTION UPGRADE. MAPLE WITH "POLAR WHITE" PAINTED FINISH. "FREEPORT" DOOR DESIGN.
- 12" DEEP WALL CABINETS WITH ADJUSTABLE SHELVING. BASIS OF DESIGN IS SMART CABINERY WITH FULL PLYWOOD CONSTRUCTION UPGRADE. MAPLE WITH "POLAR WHITE" PAINTED FINISH. "FREEPORT" DOOR DESIGN.
- 21" DEEP VANITY BASE CABINET. PROVIDE 18" DEEP VANITY BASE CABINET WHERE VANITY (AND COUNTER) CAN NOT CLEAR DOOR TRIM OR 36" IS NOT ABLE TO BE MAINTAINED IN FRONT OF VANITY. BASIS OF DESIGN IS SMART CABINERY WITH FULL PLYWOOD CONSTRUCTION UPGRADE. MAPLE WITH "POLAR WHITE" PAINTED FINISH. "FREEPORT" DOOR DESIGN.
- 1 1/2" COUNTERTOP SUPPORT PANEL. FINISHED TO MATCH CABINETS.
- KITCHEN SINK AND ANSI 117.1 ADA COMPLIANT FAUCET W/ LEVER HANDLE. SINK IN ACCESSIBLE UNITS SHALL BE ANSI 117.1 / ADA COMPLIANT. SEE PLUMBING DWGS.
- QUARTZ COUNTERTOP. SEE ACCESSORY SCHEDULE.
- RECIRCULATING RANGE HOOD. SEE ACCESSORY SCHEDULE. IN ACCESSIBLE UNITS PROVIDE WALL SWITCHES FOR HOOD FAN AND HOOD LIGHT.
- REFRIGERATOR. ANSI 117.1 / ADA COMPLIANT IN ACCESSIBLE UNITS. SEE ACCESSORY SCHEDULE.
- PROVIDE FILLER PANEL TO MATCH CABINET FINISH.
- WALL BASE. SEE FINISH SCHEDULE ON A0.2.
- VANITY FAUCET AND SINK. PROVIDE ANSI 117.1 ADA COMPLIANT LEVER HANDLE. SEE PLUMBING DWGS AND SPECIFICATIONS.
- TILE BACKSPLASH. SEE FINISH SCHEDULE ON A0.2 FOR ADDITIONAL INFO.
- 24" DEEP WALL-HUNG ANSI 117.1 ADA COMPLIANT SINK CABINET WITH REMOVABLE FRONT. BASIS OF DESIGN IS SMART CABINERY WITH FULL PLYWOOD CONSTRUCTION UPGRADE. MAPLE WITH "POLAR WHITE" PAINTED FINISH. "FREEPORT" DOOR DESIGN.
- 21" DEEP WALL-HUNG ANSI 117.1 ADA COMPLIANT VANITY CABINET WITH REMOVABLE FRONT. BASIS OF DESIGN IS SMART CABINERY WITH FULL PLYWOOD CONSTRUCTION UPGRADE. MAPLE WITH "POLAR WHITE" PAINTED FINISH. "FREEPORT" DOOR DESIGN.

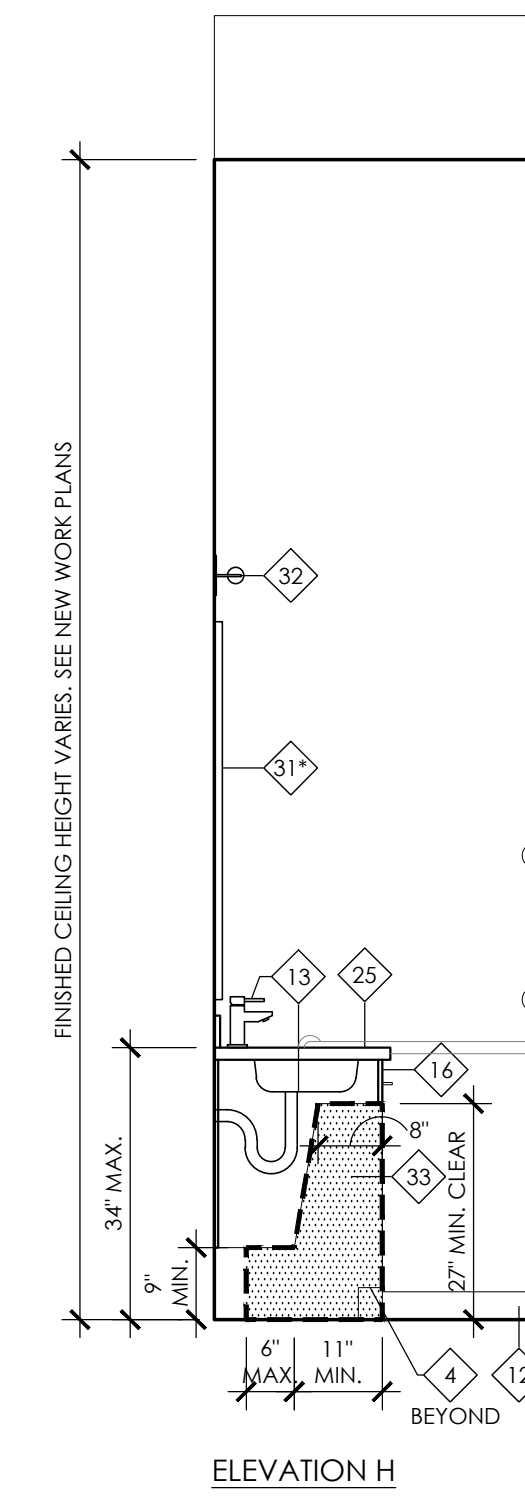
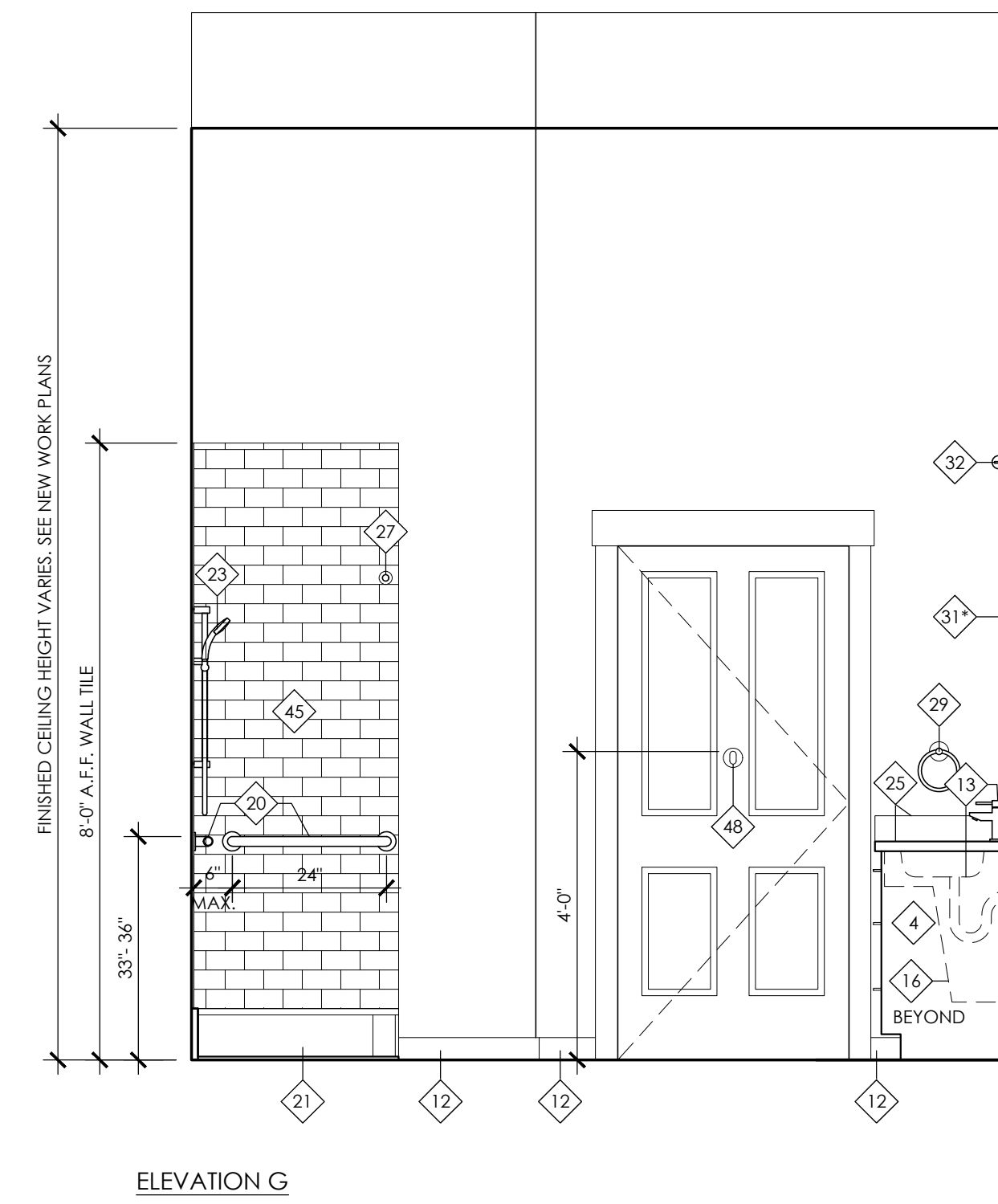
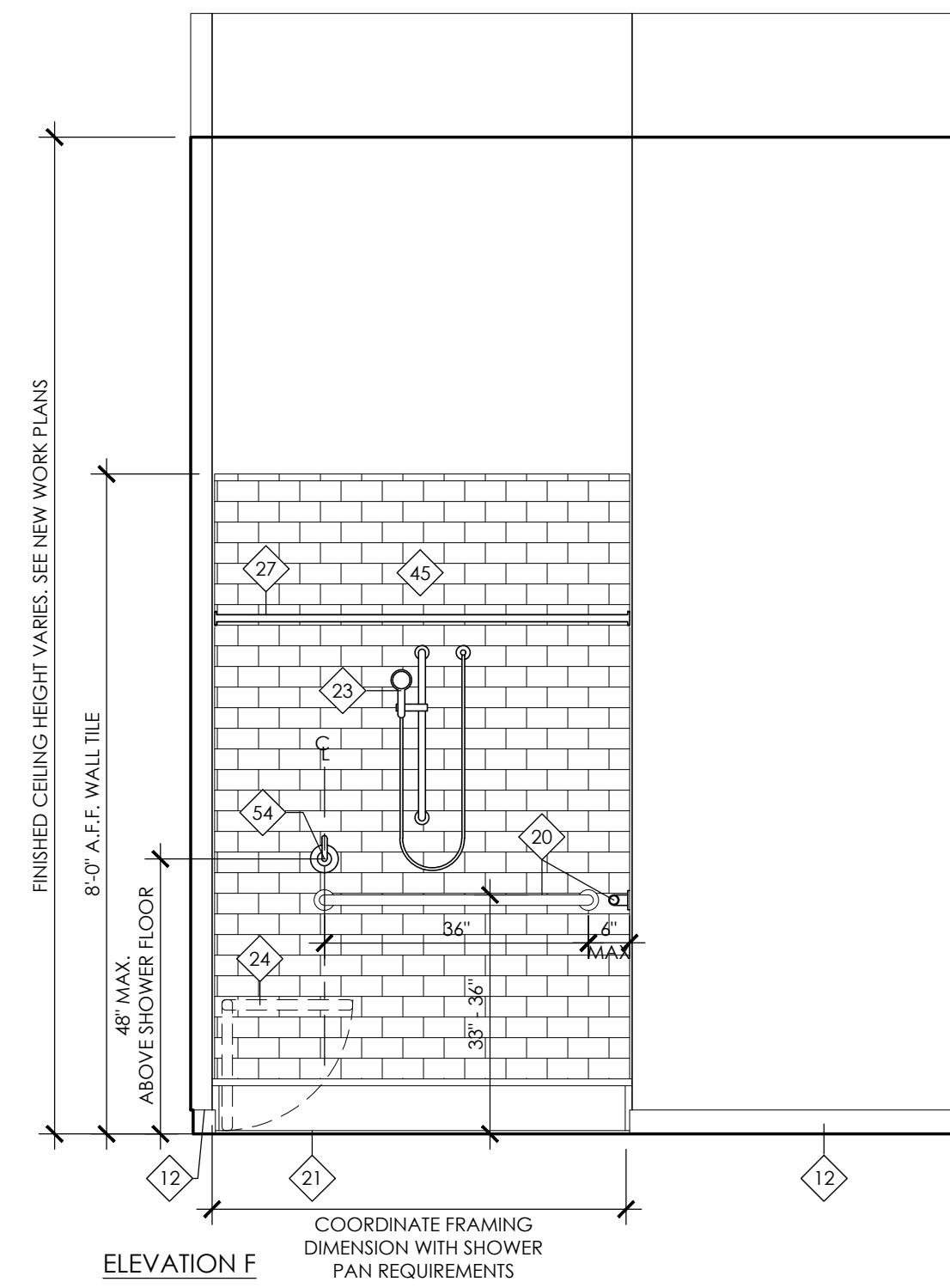
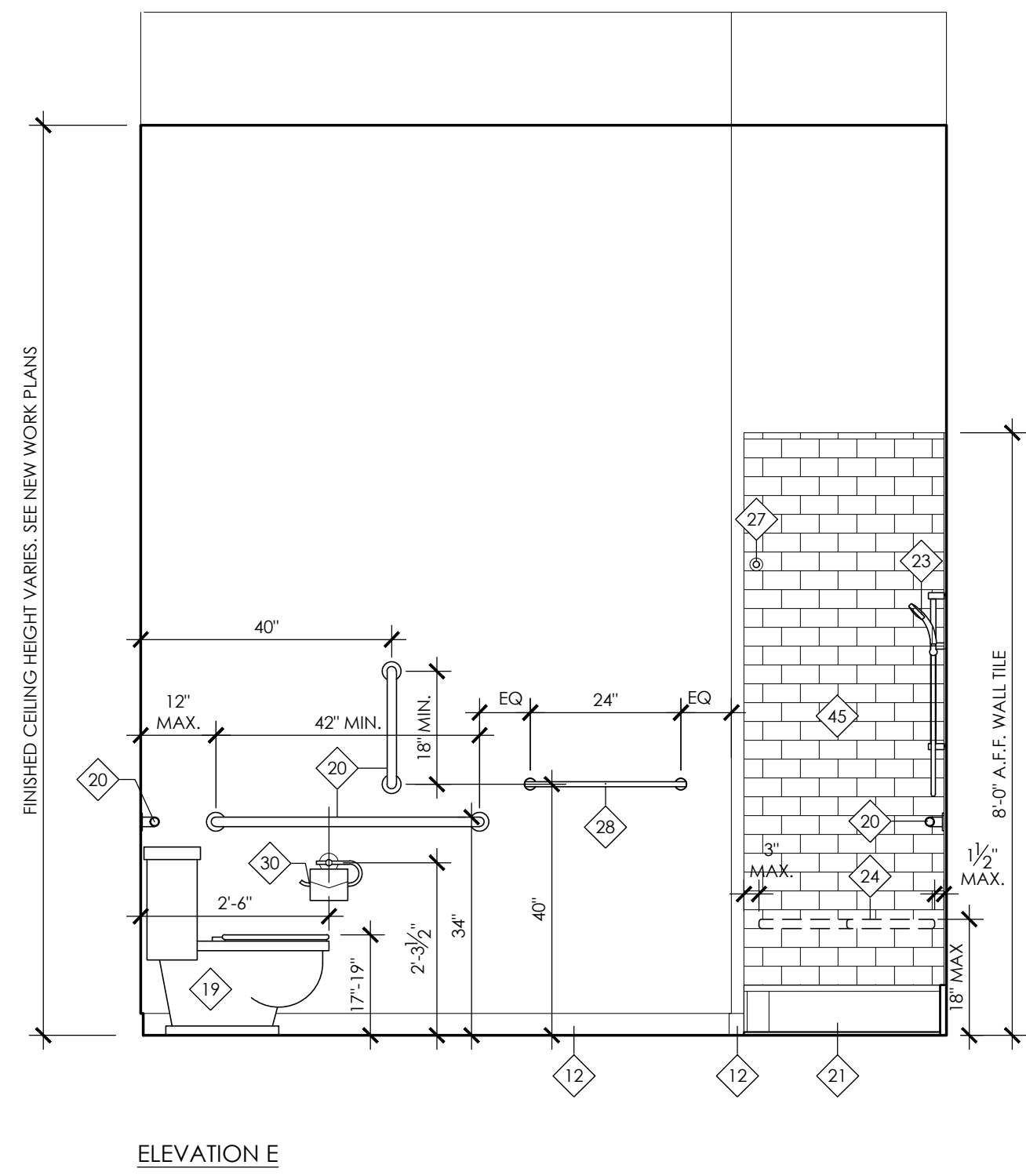
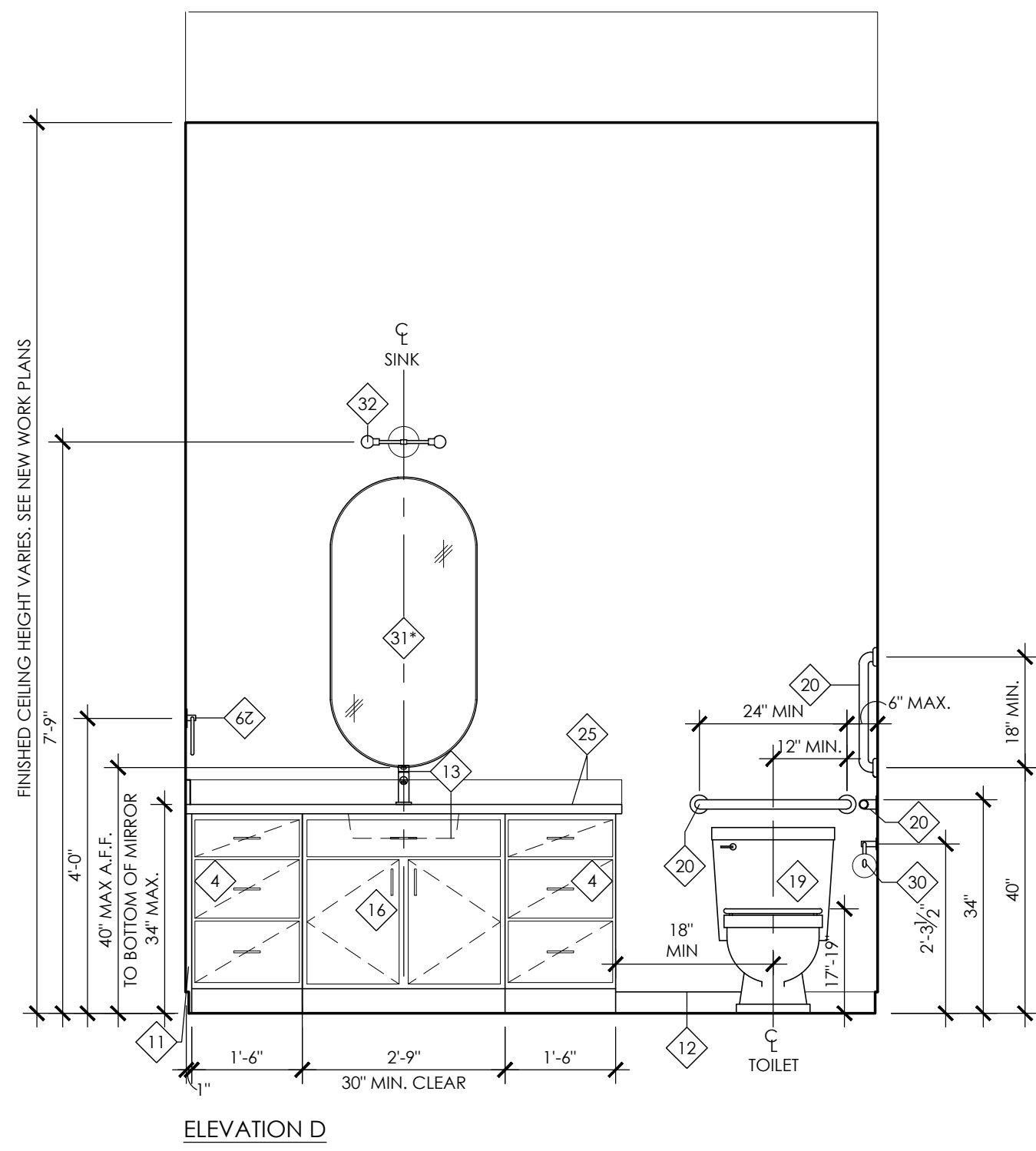
- DESIGN IS SMART CABINERY WITH FULL PLYWOOD CONSTRUCTION UPGRADE. MAPLE WITH "POLAR WHITE" PAINTED FINISH. "FREEPORT" DOOR DESIGN.
- 13" DEEP FRAMED DRYWALL SOFFIT. SEE NEW WORK PLANS AND ELECTRICAL DWGS.
 - EXHAUST FAN. LOCATION VARIES - SEE MECH. DWGS.
 - FLOOR MOUNTED TOILET (ANSI 117.1 ADA COMPLIANT IN ACCESSIBLE UNITS). SEE PLUMBING DWGS.
 - ANCHORED METAL GRAB BARS PER ANSI A117.1.
 - 30" X 60" ANSI 117.1 ADA COMPLIANT ROLL-IN SHOWER W/ TILE SURROUND. SEE NEW WORK PLANS AND PLUMBING DWGS.
 - NOT USED.
 - HAND SHOWER WITH 30" LONG HOSE AND ADJUSTABLE HEIGHT MOUNTING BAR. TOP OF HAND SPRAYER @ 48" AFF IN LOWEST POSITION WITH ANSI TYPE 'A' UNITS. FOR ALL OTHER UNITS - MOUNT HAND SPRAYER @ 78" AFF IN HIGHEST POSITION.
 - FOLDING SHOWER SEAT PER ANSI A117.1. PROVIDE BLOCKING.
 - QUARTZ COUNTERTOP W/ 1/4" RADIUS AND 4" BACKSPLASH.
 - MICROWAVE (OVER THE RANGE) WITH RECIRCULATING HOOD. SEE APPLIANCE SCHEDULE.
 - ANCHORED SHOWER CURTAIN ROD. MOUNTED @ 75" A.F.F. SEE ACCESSORIES SCHEDULE.
 - 24" TOWEL BAR. SEE ACCESSORIES SCHEDULE.
 - HAND TOWEL BAR. SEE ACCESSORIES SCHEDULE.
 - TOILET PAPER HOLDER. WHERE ATTACHED TO VANITY BASE, COORDINATE PLACEMENT WITH DRAWERS. SEE ACCESSORIES SCHEDULE.
 - VANITY MIRROR - CENTER ON VANITY. SEE ACCESSORIES SCHEDULE.
 - DISHWASHER. SEE APPLIANCE SCHEDULE.
 - PROVIDE REQUIRED KNEE AND TOE CLEARANCE PER ANSI 117.1 AT SINK AND WORKSPACE. AS INDICATED W/ HATCH AREA. PLUMBING SHALL NOT ENCRUSCH INTO KNEE AND TOE CLEAR AREA.
 - UNDER CABINET LIGHT. SEE ELECTRICAL DWGS.
 - ADA COMPLIANT ADJUSTABLE HEIGHT DISHWASHER. SEE APPLIANCE SCHEDULE.

RESIDENTIAL APPLIANCE SCHEDULE

APPLIANCE	MANUFACTURER / MODEL NO. / ADDITIONAL NOTES
RANGE	AT ANSI TYPE 'A' UNITS: GENERAL ELECTRIC JGD303SS AT TYPICAL UNITS: GENERAL ELECTRIC J6445LSS
HOOD	AT ANSI TYPE 'A' UNITS: GENERAL ELECTRIC JWX303SS
MICROWAVE	AT ANSI TYPE 'A' UNITS: GENERAL ELECTRIC PEM315SS AT TYPICAL UNITS: GENERAL ELECTRIC JYV6175KSS
REFRIGERATOR	AT ANSI TYPE 'A' UNITS: GENERAL ELECTRIC GIE17G5N AT TYPICAL UNITS: GENERAL ELECTRIC GIE1659WRS
DISHWASHER	AT ANSI TYPE 'A' UNITS: GENERAL ELECTRIC GDT2255LSS AT TYPICAL UNITS: GENERAL ELECTRIC GDT510P5R5S
STACKED WASHER AND DRYER	AT TYPICAL UNITS (WHERE INDICATED ON PLAN): GENERAL ELECTRIC GUD27E3SHWW
FRONT LOAD WASHER	AT ANSI TYPE 'A' UNITS AND UNIT 201 AT 16 31 VINE GENERAL ELECTRIC GFW14855MWW
FRONT LOAD DRYER	AT ANSI TYPE 'A' UNITS AND UNIT 201 AT 16 31 VINE GENERAL ELECTRIC GFD14855MWW
RISER AND DRIP PAN	AT ANSI TYPE 'A' UNITS: GENERAL ELECTRIC GAF14055NWW

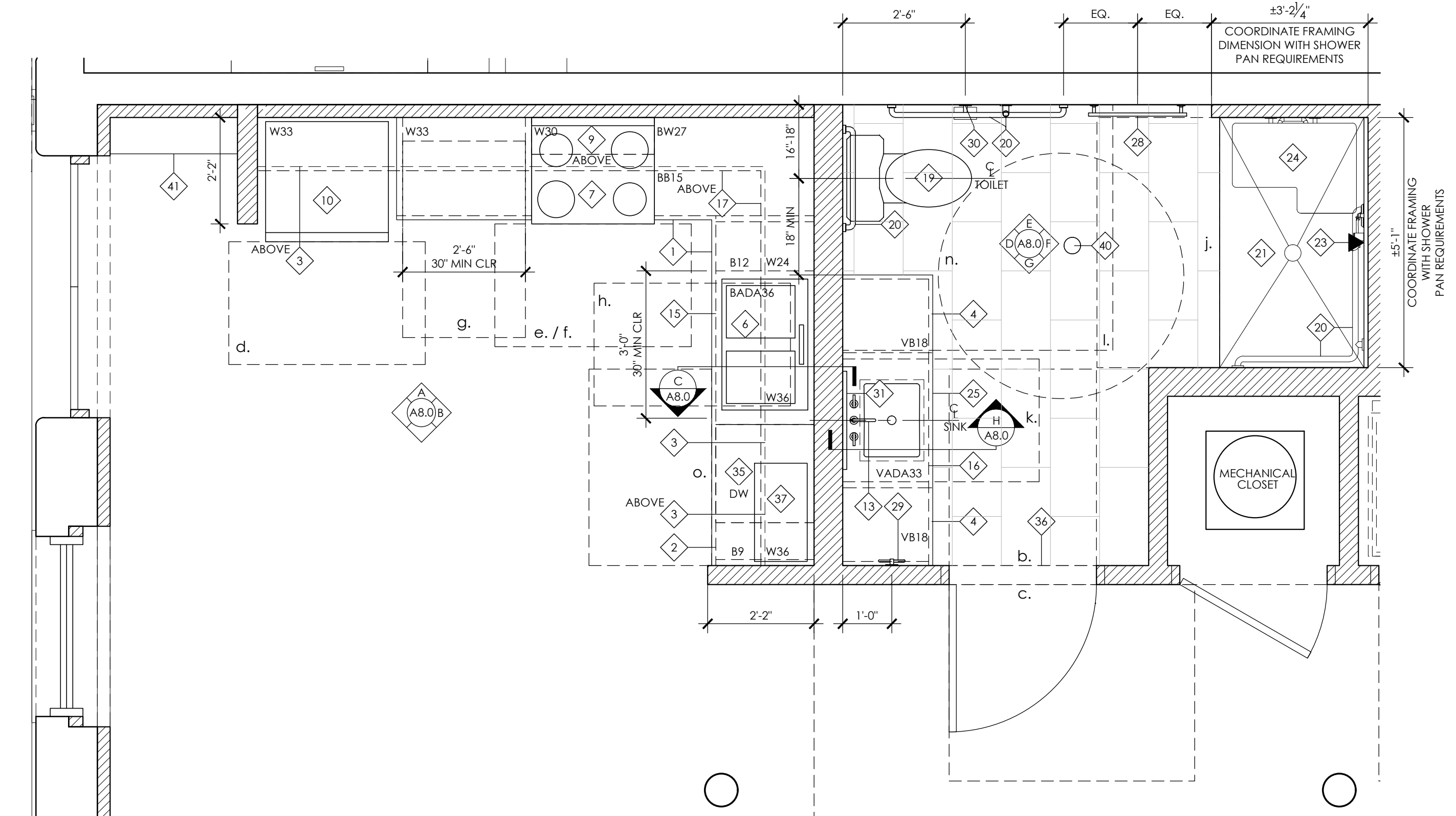
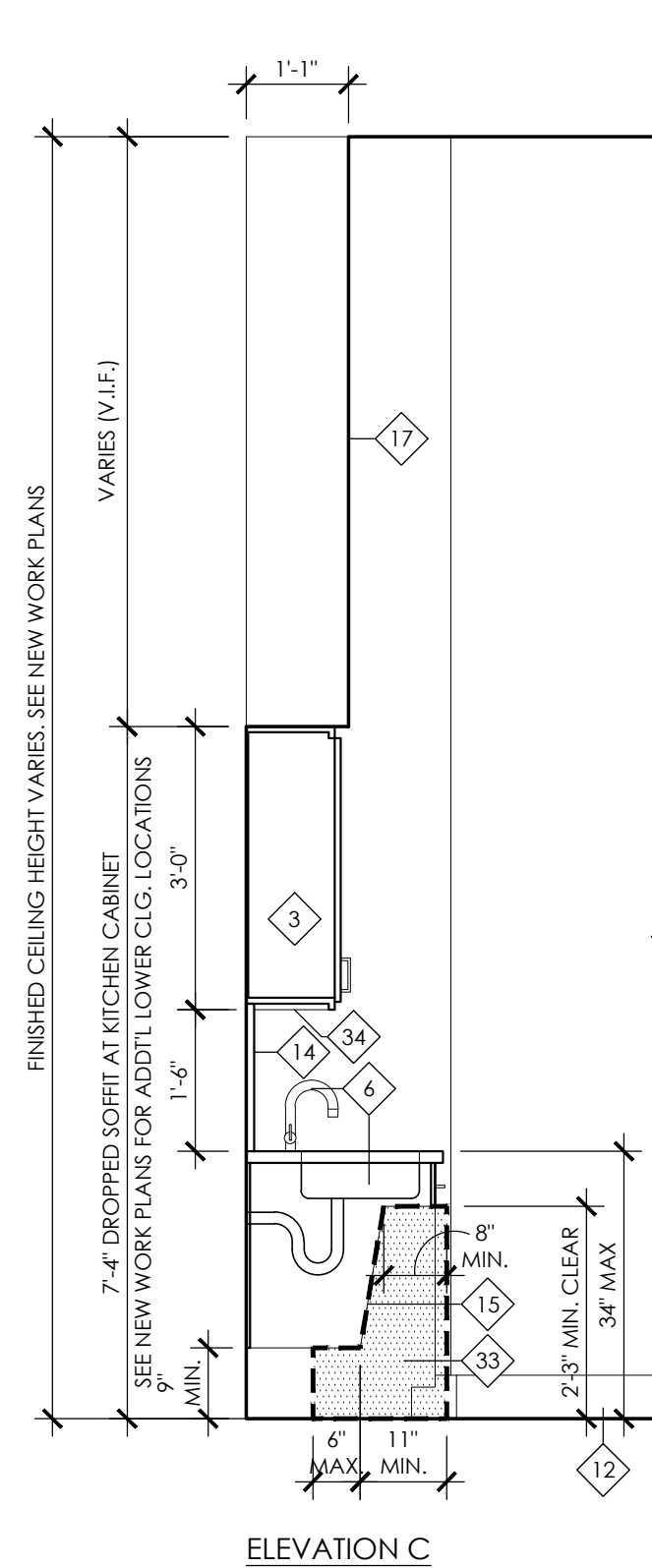
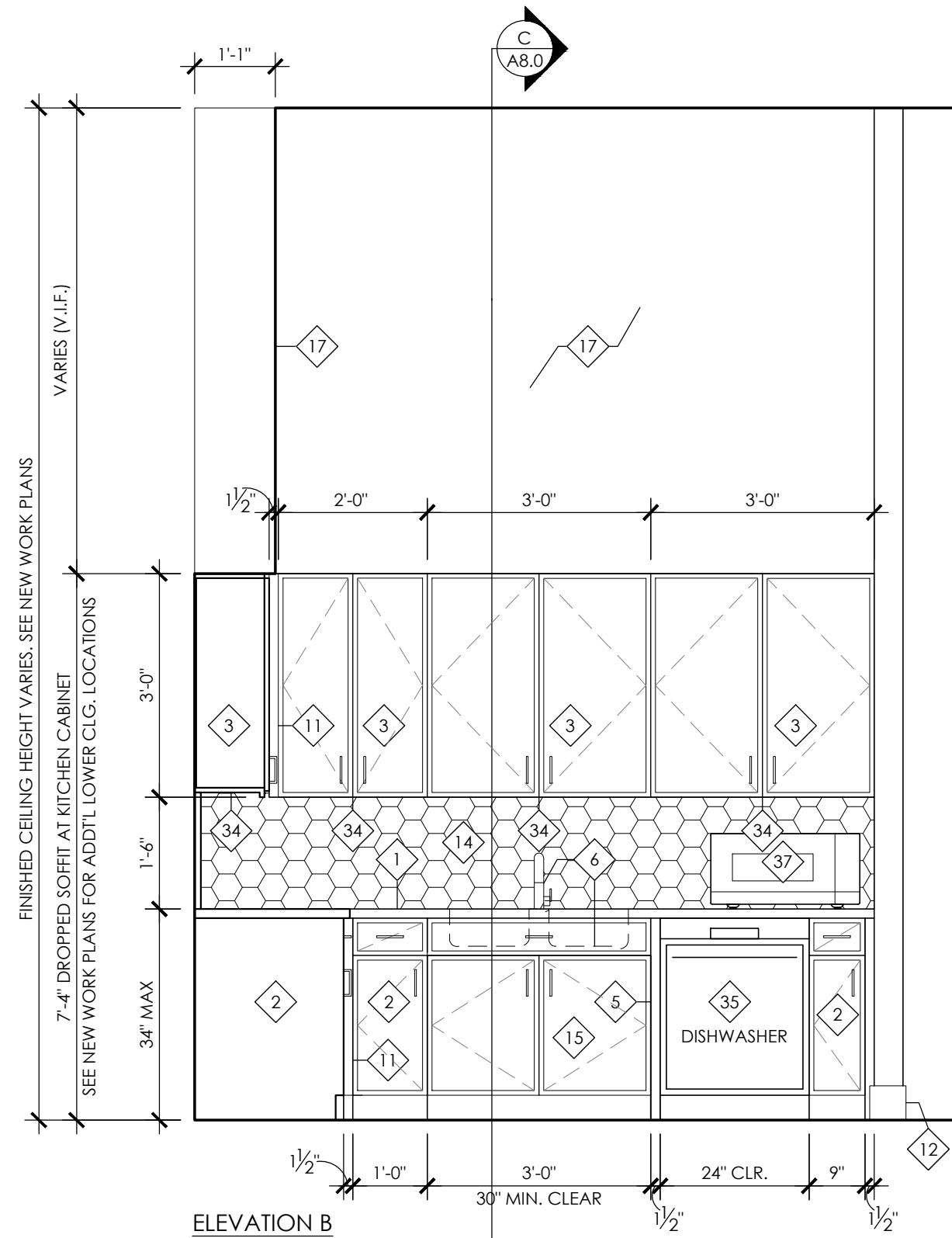
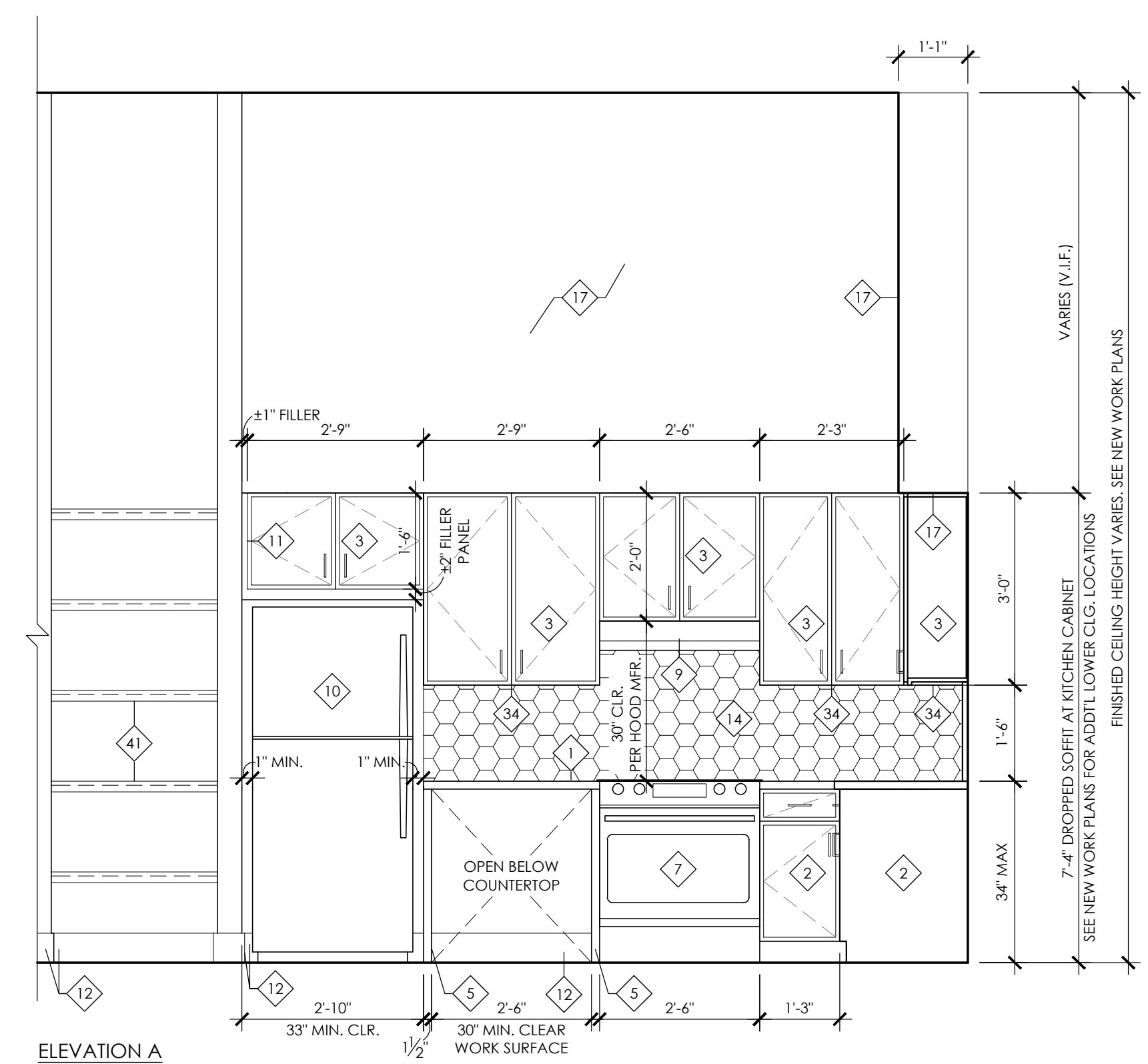
BATHROOM ACCESSORIES SCHEDULE

APPLIANCE	MANUFACTURER / MODEL NO. / ADDITIONAL NOTES
MIRROR	AT 24" WIDE VANITIES: IKEA LINDBYN 23 5/8" SQUARE BLACK (ITEM #305.072.05) AT 30" OR 36" WIDE VANITIES: IKEA LINDBYN 31 1/2" DIA. BLACK (ITEM #605.072.04) AT VANITIES IN ANSI TYPE 'A' UNITS: IKEA LINDBYN 23 5/8" X 47 1/4" BLACK (ITEM #105.072.04)
PAPER HOLDER	SYMMONS 'DA' 3533P POLISHED CHROME
TOWEL RING	SYMMONS 'DA' 3533R POLISHED CHROME
TOWEL BAR	SYMMONS 'DA' 3533B-24 POLISHED CHROME
ROBE HOOK	SYMMONS 'DA' 3538H POLISHED CHROME
CURTAIN ROD	VARIOUS LENGTHS REQD. COORDINATE WITH TUB / SHOWER SIZE. BASIS OF DESIGN IS SYMMONS 'DESIGN STUDIO' STRAIGHT SHOWER CURTAIN ROD. POLISHED CHROME.
SHOWER SHELF	SCHLUTER SES1D10MBW



TYPICAL ANSI "TYPE A" ACCESSIBLE UNIT BATHROOM ELEVATIONS (UNIT 13 @ 1624 REPUBLIC)

3 A8.0 1/2" = 1'-0"



TYPICAL ANSI "TYPE A" ACCESSIBLE UNIT KITCHEN ELEVATIONS (UNIT 13 @ 1624 REPUBLIC)

2 A8.0 1/2" = 1'-0"

TYPICAL ANSI "TYPE A" ACCESSIBLE UNIT KITCHEN AND BATHROOM ENLARGED PLAN (UNIT 13 @ 1624 REPUBLIC)

1 A8.0 1/2" = 1'-0"

NOT FOR CONSTRUCTION

CITYSTUDIOS ARCHITECTURE
1148 Main Street
Cincinnati, OH 45202
ph: 513.621.0750
citystudiosarch.com

advantage
STRUCTURAL ENGINEERS
1527 Madison Road
Cincinnati, OH 45206
513.396.8900
www.advantage6E.com

VIXOX & VIXOX
Civil Engineers, Surveyors and Landscape Architects
4850 Riverchase Circle, Cincinnati, OH 45241
www.vixox.com

PE Services
1450 W. 12th Street
Cincinnati, OH 45219
www.pe-services.com
9 North Broadway
Lebanon, OH 45046
513-836-3810

RUSS ALLEY
1623 - 1625 VINE STREET, 1624 REPUBLIC STREET
(1625 VINE HPTC APPLICATION)
CINCINNATI, OH 45202

3CDC CINCINNATI CENTER CITY DEVELOPMENT CORPORATION

ISSUE LOG:
06.02.2023
ISSUE FOR PERMIT
07.14.2023
PERMIT REVISION 1
09.21.2023
OHFA PRELIM. SUBMISSION

ENLARGED PLANS & INTERIOR ELEVATIONS

A8.0

PRELIMINARY:
NOT FOR CONSTRUCTION

ENLARGED PLANS AND INTERIOR ELEVATION GENERAL NOTES

- TYPICAL ENLARGED PLANS AND INTERIOR ELEVATIONS ARE DIAGRAMMATIC AND ARE FOR REFERENCE ONLY. REFER TO NEW WORK PLANS FOR SPECIFIC LAYOUTS INCLUDING CABINET SIZES (INDICATED IN INCHES) AND TYPES.
- COORDINATE HALL FRAMING AT SHOWERS AND BATHS WITH MANUFACTURERS' REQUIREMENTS.
- PROVIDE BLOCKING FOR WALL-HUNG ACCESSORIES. SEE SPECIFICATIONS.
- SEE MOLD & MOISTURE RESISTANT GYP. BOARD SCHEDULE ON A0.2 FOR ADDITIONAL INFORMATION.
- SEE PLUMBING DRAWINGS FOR PLUMBING FIXTURE SCHEDULE.
- IN ACCESSIBLE DWELLING UNITS, PROVIDE WALL SWITCHES FOR HOOD FAN & HOOD LIGHT IN ACCESSIBLE LOCATIONS OVER COUNTER. COORDINATE WITH ELECTRICAL DRAWINGS.
- NEW FLOORING TO EXTEND UNDER CABINETS.
- SEE ELECTRICAL DRAWINGS FOR ALL LIGHTING FIXTURES.
- BASE CABINETS AND WALL CABINETS TO HAVE FINISHED PANELS ON EXPOSED SIDES, TYPICAL.
- CABINET PULLS TO BE ANSI 117.1 COMPLIANT LOOP HANDLES, SEE SPECIFICATIONS.
- WHERE EXISTING WALL FRAMING OCCURS, VERIFY IN FIELD PRIOR TO ORDERING CABINETS AND/OR BATHUB/SHOWER BASES.

ENLARGED PLANS ANS 117.1 ACCESSIBILITY CLEARANCES NOTES (SEE PLANS)

- 60" X 18" MIN. BEYOND LATCH DOOR CLEARANCE ON PULL SIDE (FRONT APPROACH).
- 48" X 24" MIN. BEYOND LATCH DOOR CLEARANCE ON PUSH SIDE (FRONT APPROACH).
- 48" X 24" MIN. BEYOND LATCH DOOR CLEARANCE ON PULL SIDE (LATCH APPROACH).
- 30" X 48" CLEAR FLOOR SPACE AT REFRIGERATOR (SIDE APPROACH).
- 30" X 48" CLEAR FLOOR SPACE AT COOKTOP (SIDE APPROACH).
- 30" X 48" CLEAR FLOOR SPACE ADJACENT TO OVEN DOOR IN OPEN POSITION (SIDE APPROACH).
- 30" X 48" CLEAR FLOOR SPACE AT KITCHEN SINK (FRONT APPROACH).
- 30" X 60" CLEAR FLOOR SPACE AT KITCHEN SINK (FRONT APPROACH).
- 30" X 60" CLEAR FLOOR SPACE AT ROLL-IN SHOWER.
- 30" X 48" CLEAR FLOOR SPACE AT BATHROOM SINK (FRONT APPROACH).
- 66" X 40" CLEAR FLOOR SPACE AT TOILET.
- 30" X 48" CLEAR FLOOR SPACE.
- 60" DIAMETER TURNING RADIUS.
- 30" X 48" CLEAR FLOOR SPACE AT DISHWASHER (SIDE APPROACH).

ENLARGED PLANS AND INTERIOR ELEVATION KEYNOTES

- QUARTZ COUNTERTOP, SEE FINISH SCHEDULE ON A0.2 FOR ADDITIONAL INFO.
- 24" DEEP BASE CABINET WITH DRAWER AND ADJUSTABLE SHELVING. BASIS OF DESIGN IS SMART CABINERY WITH FULL PLYWOOD CONSTRUCTION UPGRADE. MAPLE WITH "POLAR WHITE" PAINTED FINISH. "FREEPORT" DOOR DESIGN.
- 12" DEEP WALL CABINETS WITH ADJUSTABLE SHELVING. BASIS OF DESIGN IS SMART CABINERY WITH FULL PLYWOOD CONSTRUCTION UPGRADE. MAPLE WITH "POLAR WHITE" PAINTED FINISH. "FREEPORT" DOOR DESIGN.
- 21" DEEP VANITY BASE CABINET, PROVIDE 18" DEEP VANITY BASE CABINET WHERE VANITY (AND COUNTER) CAN NOT CLEAR DOOR TRIM OR 36" IS NOT ABLE TO BE MAINTAINED IN FRONT OF VANITY. BASIS OF DESIGN IS SMART CABINERY WITH FULL PLYWOOD CONSTRUCTION UPGRADE. MAPLE WITH "POLAR WHITE" PAINTED FINISH. "FREEPORT" DOOR DESIGN.
- 1 1/2" COUNTERTOP SUPPORT PANEL, FINISHED TO MATCH CABINETS.
- KITCHEN SINK AND ANSI 117.1 COMPLIANT FAUCET W/ LEVER HANDLE. SINK IN ACCESSIBLE UNITS SHALL BE ANSI 117.1 / ADA COMPLIANT, SEE PLUMBING DWGS.
- DROP-IN ELECTRIC RANGE, SEE ACCESSORY SCHEDULE.
- ELECTRIC RANGE, SEE ACCESSORY SCHEDULE.
- RECURCULATING RANGE HOOD, SEE ACCESSORY SCHEDULE. IN ACCESSIBLE UNITS PROVIDE WALL SWITCHES FOR HOOD FAN AND HOOD LIGHT.
- REFRIGERATOR, ANSI 117.1 / ADA COMPLIANT IN ACCESSIBLE UNITS, SEE ACCESSORY SCHEDULE.
- PROVIDE FILLER PANEL TO MATCH CABINET FINISH.
- WALL BASE, SEE FINISH SCHEDULE ON A0.2.
- VANITY FAUCET AND SINK, PROVIDE ANSI 117.1 / ADA COMPLIANT LEVER HANDLE, SEE PLUMBING DWGS AND SPECIFICATIONS.
- TILE BACKSPLASH, SEE FINISH SCHEDULE ON A0.2 FOR ADDITIONAL INFO.
- 24" DEEP WALL-HUNG ANSI 117.1 / ADA COMPLIANT SINK CABINET WITH REMOVABLE FRONT, BASIS OF DESIGN IS SMART CABINERY WITH FULL PLYWOOD CONSTRUCTION UPGRADE. MAPLE WITH "POLAR WHITE" PAINTED FINISH. "FREEPORT" DOOR DESIGN.
- 21" DEEP WALL-HUNG ANSI 117.1 / ADA COMPLIANT VANITY CABINET WITH REMOVABLE FRONT, BASIS OF

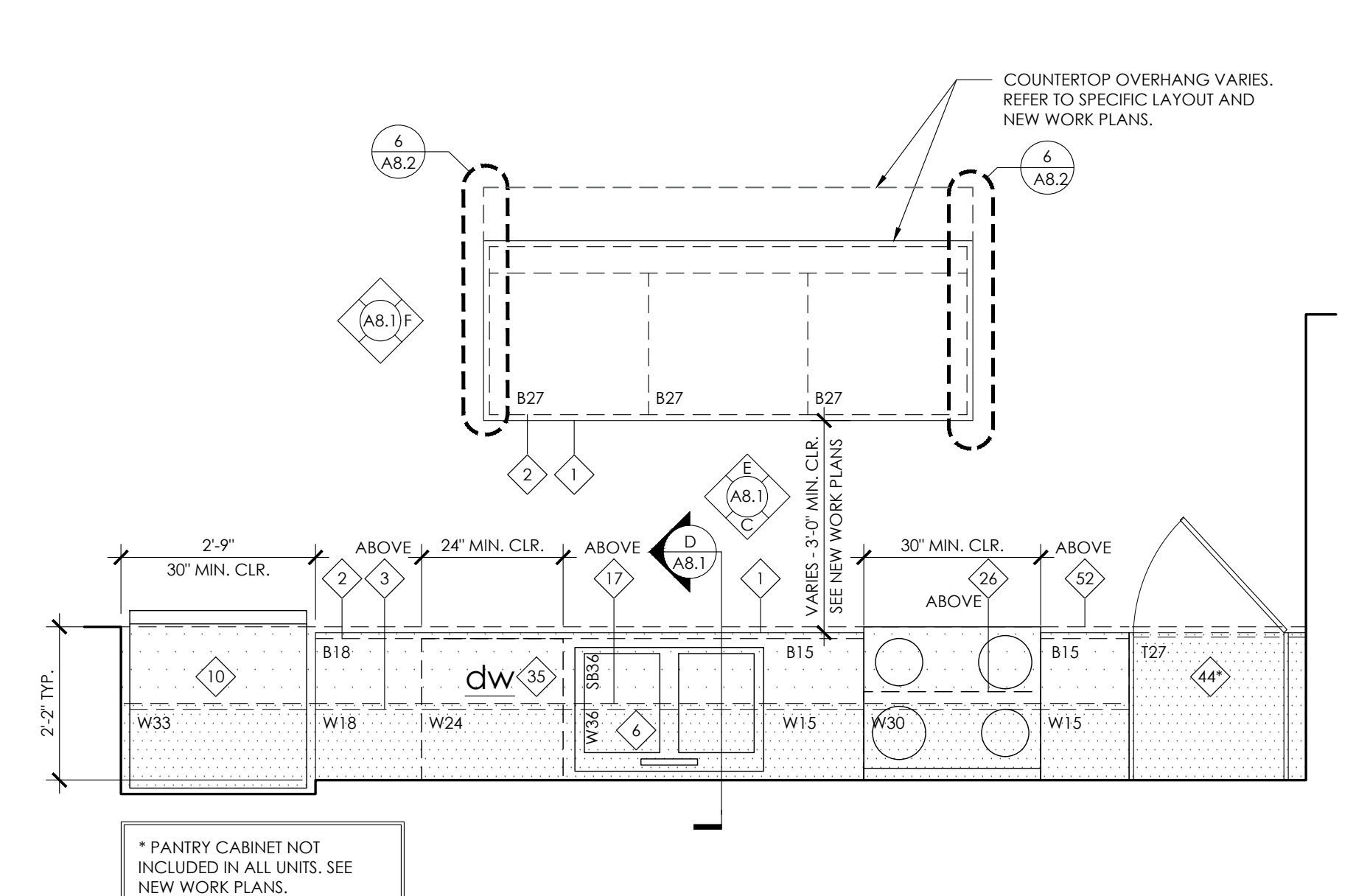
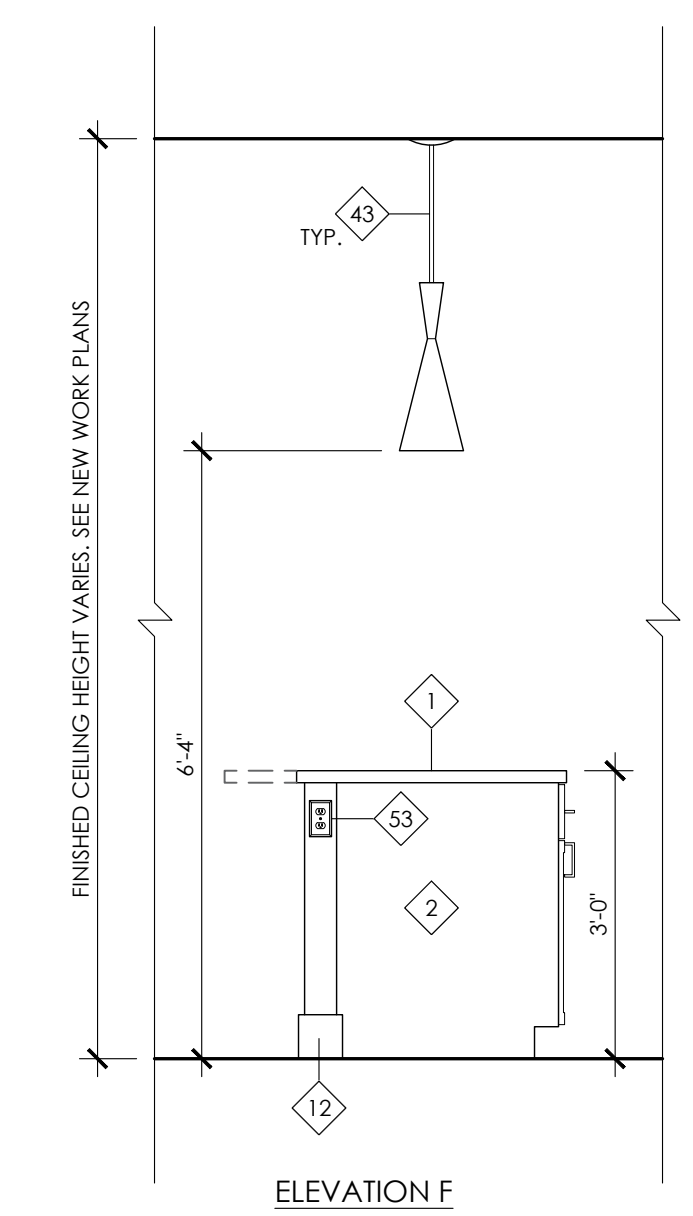
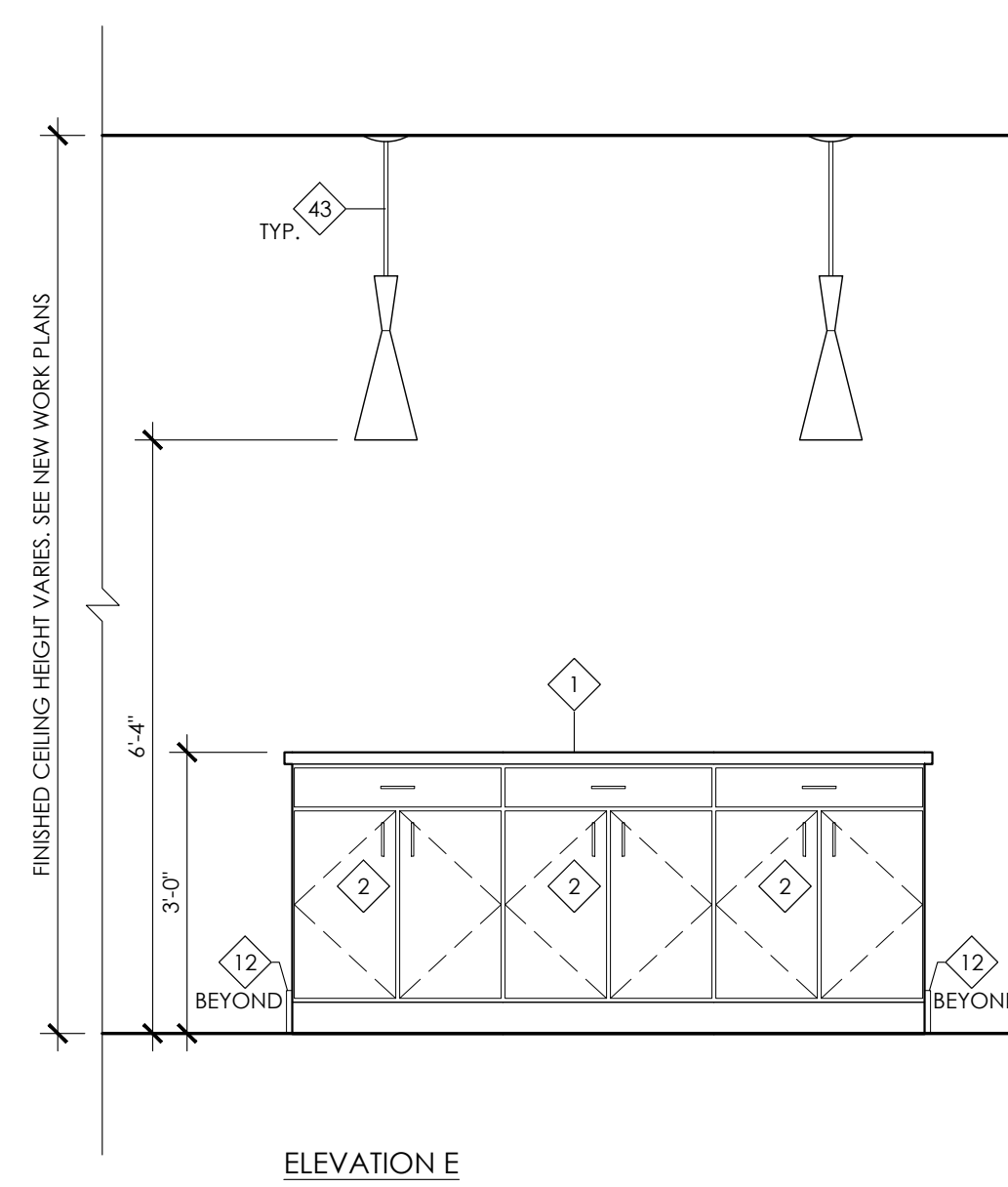
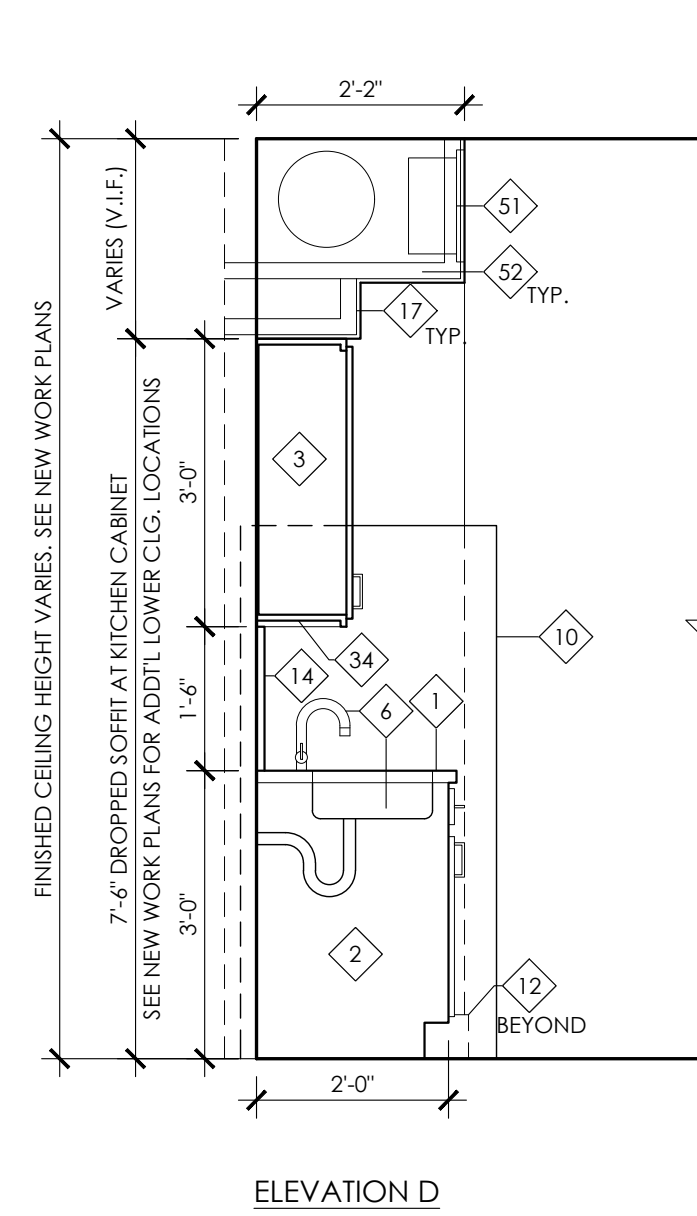
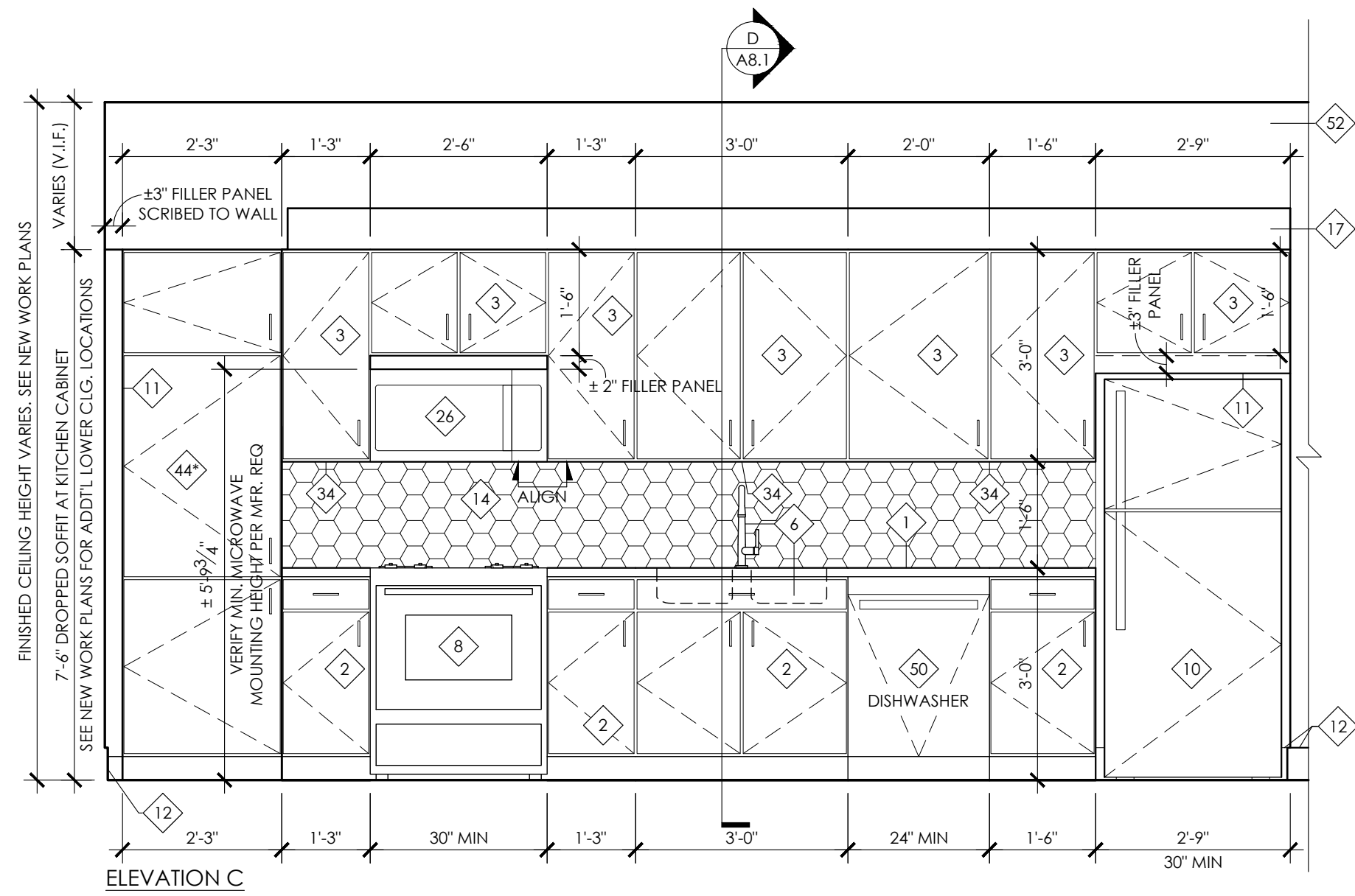
- DESIGN IS SMART CABINERY WITH FULL PLYWOOD CONSTRUCTION UPGRADE. MAPLE WITH "POLAR WHITE" PAINTED FINISH. "FREEPORT" DOOR DESIGN.
- 13" DEEP FRAMED DRYWALL SOFFIT, SEE NEW WORK PLANS AND ELECTRICAL DWGS.
 - EXHAUST FAN, LOCATION VARIES - SEE MECH. DWGS.
 - FLOOR MOUNTED TOILET (ANSI 117.1) / ADA COMPLIANT IN ACCESSIBLE UNITS, SEE PLUMBING DWGS.
 - ANCHORED METAL GRAB BARS PER ANSI A117.1.
 - 30" X 60" ANSI 117.1 / ADA COMPLIANT ROLL-IN SHOWER W/ TILE SURROUND, SEE NEW WORK PLANS AND PLUMBING DWGS.
 - NOT USED.
 - HAND SHOWER WITH 3/4" LONG HOSE AND ADJUSTABLE HEIGHT MOUNTING BAR, TOP OF HAND SPRAYER @ 48" AFF IN LOWEST POSITION WITHIN ANSI TYPE "A" UNITS, FOR ALL OTHER UNITS - MOUNT HAND SPRAYER @ 78" AFF IN HIGHEST POSITION.
 - FOLDING SHOWER SEAT PER ANSI A117.1, PROVIDE BLOCKING.
 - QUARTZ COUNTERTOP W/ 1/4" RADIUS AND 4" BACKSPLASH.
 - MICROWAVE (OVER THE RANGE) WITH RECURCULATING HOOD, SEE APPLIANCE SCHEDULE.
 - QUARTZ COUNTERTOP W/ 1/4" RADIUS AND 4" BACKSPLASH.
 - ANCHORED SHOWER CURTAIN ROD, MOUNTED @ 75" A.F.F, SEE ACCESSORIES SCHEDULE.
 - TOWEL BAR, SEE ACCESSORIES SCHEDULE.
 - HAND TOWEL BAR, SEE ACCESSORIES SCHEDULE.
 - TOILET PAPER HOLDER, WHERE ATTACHED TO VANITY BASE, COORDINATE PLACEMENT WITH DRAWERS, SEE ACCESSORIES SCHEDULE.
 - VANITY MIRROR - CENTER ON VANITY, SEE ACCESSORIES SCHEDULE.
 - VANITY LIGHT, SEE ELECTRICAL DWGS.
 - PROVIDE REQUIRED KNEE AND TOE CLEARANCE PER ANSI 117.1 AT SINK AND WORKSPACE, AS INDICATED W/ HATCH AREA, PLUMBING SHALL NOT ENCRUCH INTO KNEE AND TOE CLEAR AREA.
 - UNDER CABINET LIGHT, SEE ELECTRICAL DWGS.
 - ADA COMPLIANT ADJUSTABLE HEIGHT DISHWASHER, SEE APPLIANCE SCHEDULE.

RESIDENTIAL APPLIANCES SCHEDULE

APPLIANCE	MANUFACTURER / MODEL NO. / ADDITIONAL NOTES
RANGE	AT ANSI TYPE "A" UNITS: GENERAL ELECTRIC JGD303SS AT TYPICAL UNITS: GENERAL ELECTRIC J6445LSS
HOOD	AT ANSI TYPE "A" UNITS: GENERAL ELECTRIC JWX3305JSS
MICROWAVE	AT ANSI TYPE "A" UNITS: GENERAL ELECTRIC PEM31SFSS AT TYPICAL UNITS: GENERAL ELECTRIC JYM6175KSS
REFRIGERATOR	AT ANSI TYPE "A" UNITS: GENERAL ELECTRIC GIE17G5N AT TYPICAL UNITS: GENERAL ELECTRIC GIE1659WRSS
DISHWASHER	AT ANSI TYPE "A" UNITS: GENERAL ELECTRIC GDS10P5R5S AT TYPICAL UNITS: GENERAL ELECTRIC GDS10P5R5S
STACKED WASHER AND DRYER	AT TYPICAL UNITS (WHERE INDICATED ON PLAN): GENERAL ELECTRIC GUD27E55HW
FRONT LOAD WASHER	AT ANSI TYPE "A" UNITS AND UNIT 201 AT 16 31 VINE GENERAL ELECTRIC GFW14855MWW
FRONT LOAD DRYER	AT ANSI TYPE "A" UNITS AND UNIT 201 AT 16 31 VINE GENERAL ELECTRIC GFD14855MWW
RISER AND DRIP PAN	AT ANSI TYPE "A" UNITS: GENERAL ELECTRIC GAF14055NWW

BATHROOM ACCESSORIES SCHEDULE

APPLIANCE	MANUFACTURER / MODEL NO. / ADDITIONAL NOTES
MIRROR	AT 24" WIDE VANITIES: IKEA LINDBYN 23 5/8" SQUARE BLACK (ITEM #305.072.05) AT 30" OR 36" WIDE VANITIES: IKEA LINDBYN 31 1/2" DIA. BLACK (ITEM #603.072.04) AT VANITIES IN ANSI TYPE "A" UNITS: IKEA LINDBYN 23 5/8" X 47 1/4" BLACK (ITEM #105.072.04)
PAPER HOLDER	SYMMONS DIA 353TP POLISHED CHROME
TOWEL RING	SYMMONS DIA 353TR POLISHED CHROME
TOWEL BAR	SYMMONS DIA 353TB-24 POLISHED CHROME
ROBE HOOK	SYMMONS DIA 353RH POLISHED CHROME
CURTAIN ROD	VARIOUS LENGTHS REQD, COORDINATE WITH TUB / SHOWER SIZE. BASIS OF DESIGN IS SYMMONS DESIGN STUDIO STRAIGHT SHOWER CURTAIN ROD, POLISHED CHROME.
SHOWER SHELF	SCHLUTER SES1D10MBW

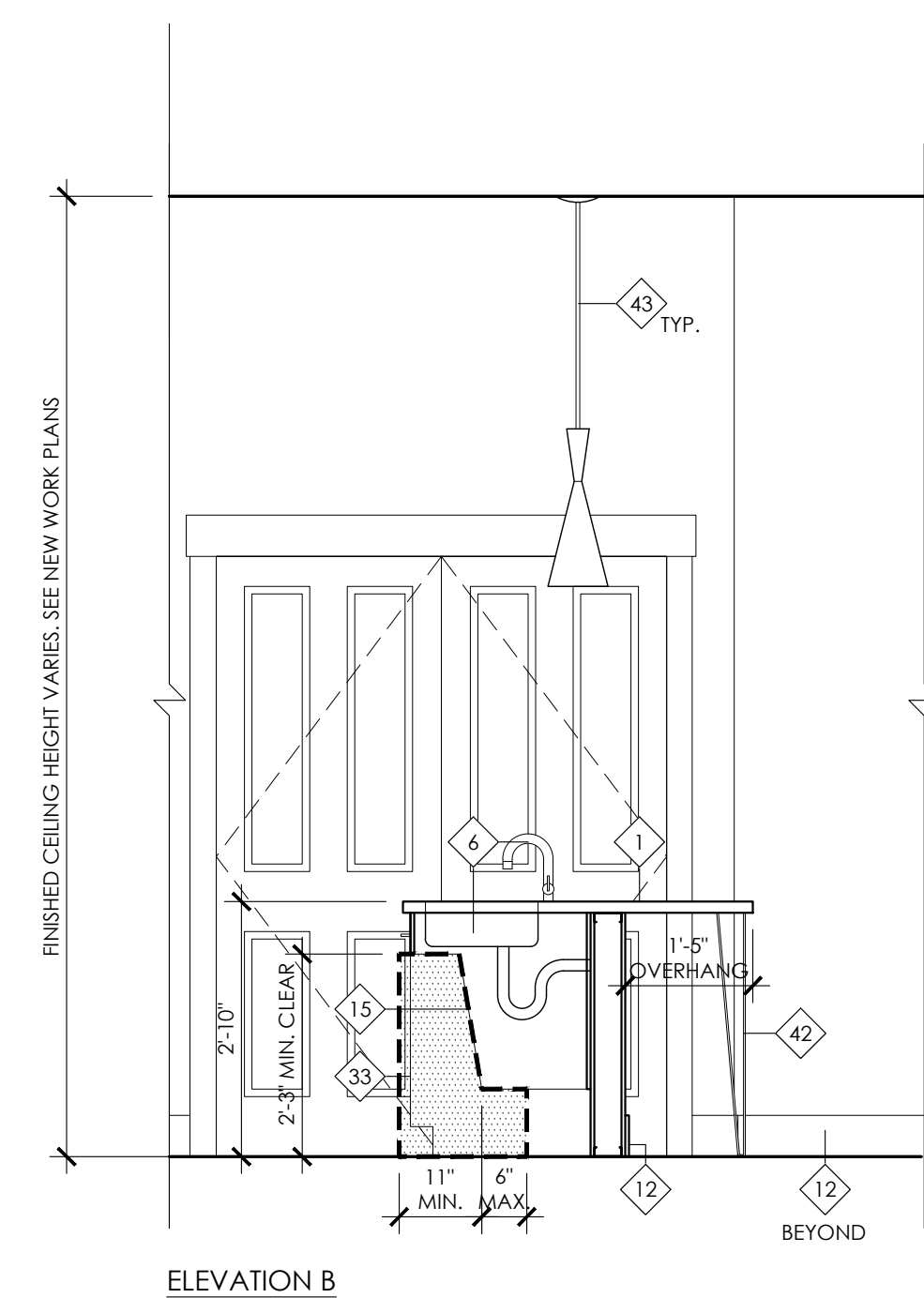
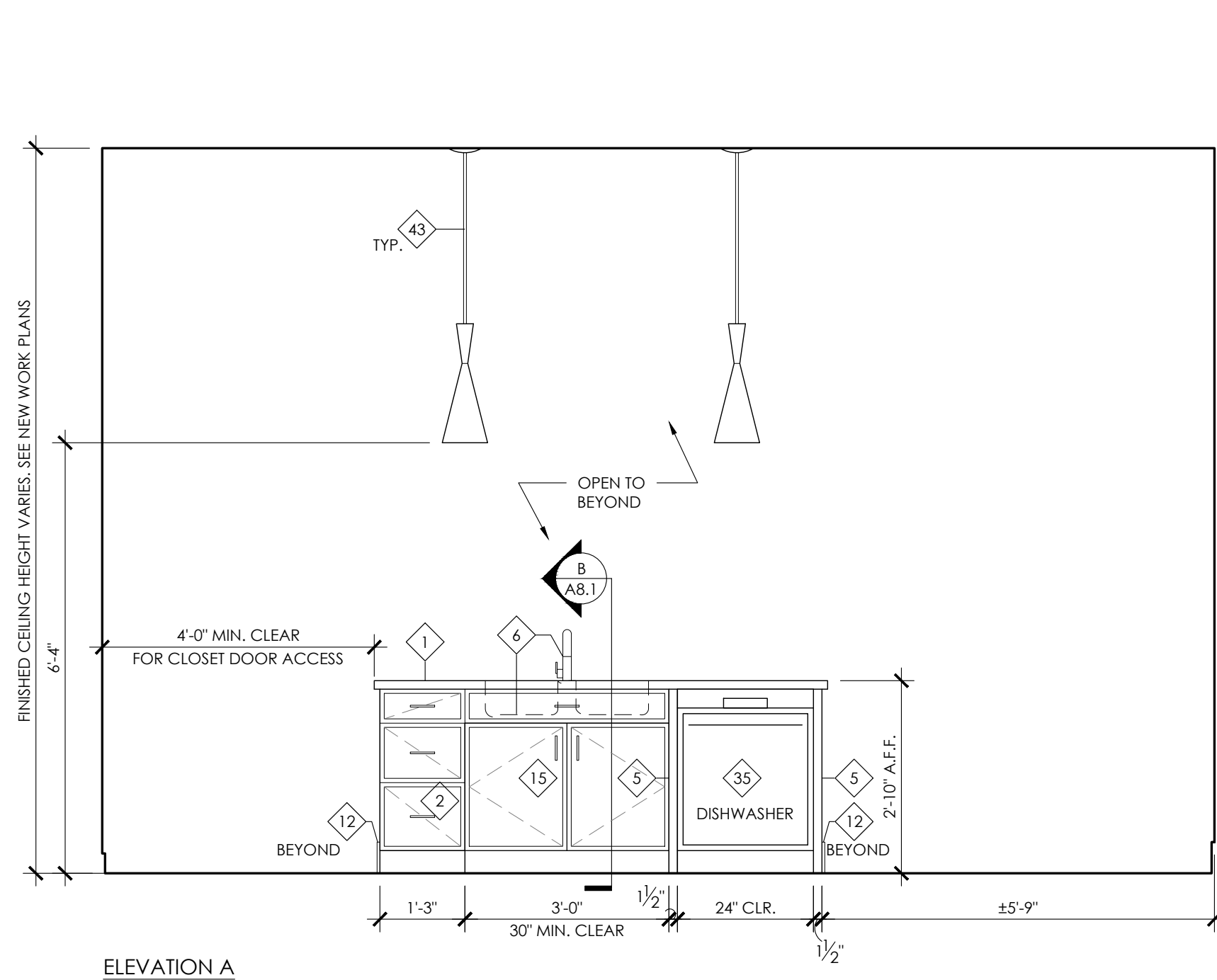


TYPICAL UNIT KITCHEN (W/ ISLAND) ELEVATIONS (UNIT 5 @ 1623 VINE)

4
A8.1
1/2" = 1'-0"

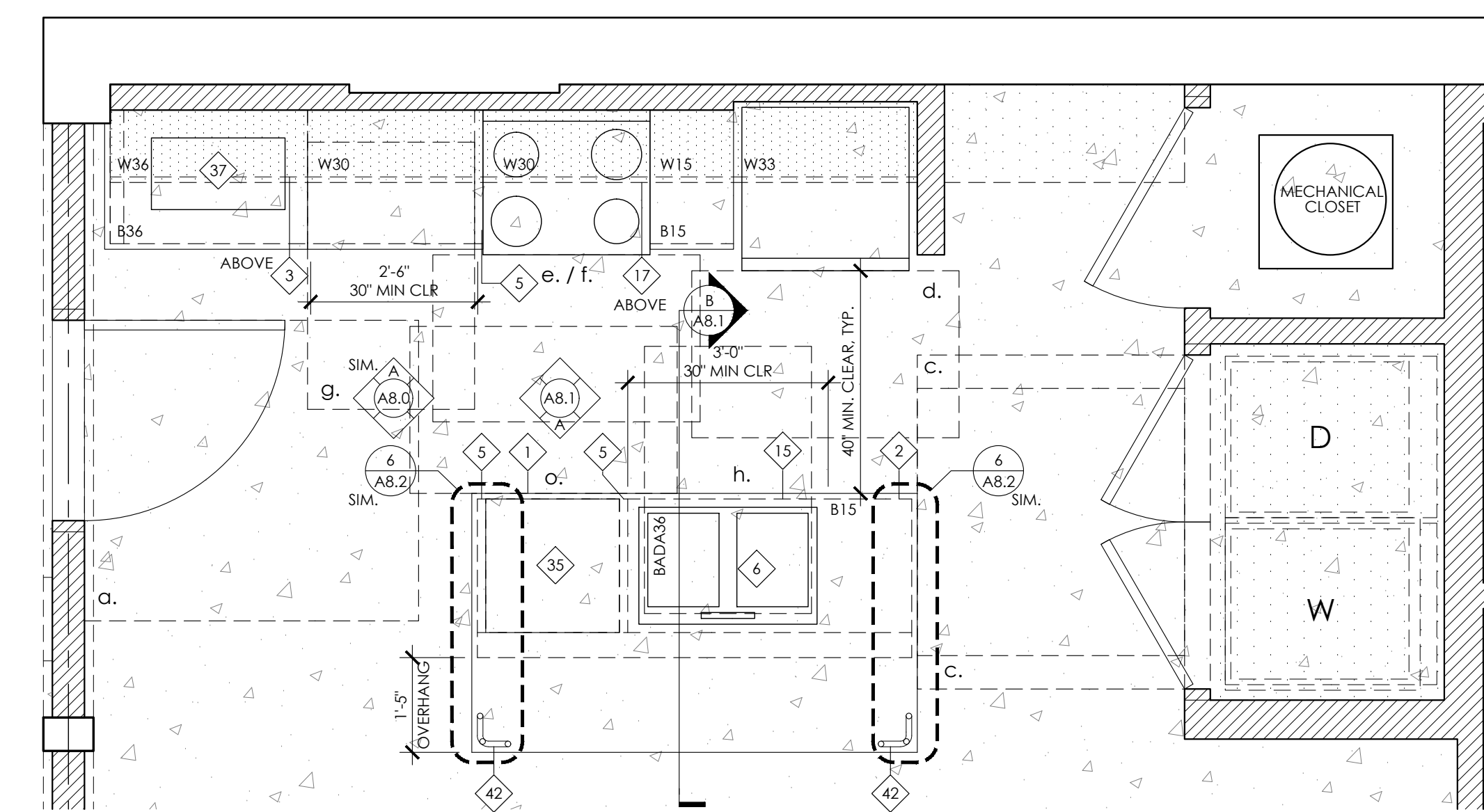
TYPICAL UNIT KITCHEN (W/ ISLAND) ENLARGED PLAN (UNIT 5 @ 1623 VINE)

3
A8.1
1/2" = 1'-0"



TYPICAL ANSI "TYPE A" ACCESSIBLE UNIT KITCHEN ELEVATIONS (W/ ISLAND) (UNIT 101 @ 1630 REPUBLIC)

2
A8.1
1/2" = 1'-0"



TYPICAL ANSI "TYPE A" ACCESSIBLE UNIT KITCHEN (W/ ISLAND) ENLARGED PLAN (UNIT 101 @ 1630 REPUBLIC)

1
A8.1
1/2" = 1'-0"

NOT FOR CONSTRUCTION

CITYSTUDIOS ARCHITECTURE
1148 Main Street
Cincinnati, OH 45202
ph: 513.621.0750
citystudiosarch.com

advantage
STRUCTURAL ENGINEERS
1527 Madison Road
Cincinnati, OH 45206
513.396.8900
www.advantage6E.com

VIQX&VIQX
Civil Engineers, Surveyors and Landscape Architects
4815 Riverchase Circle, Cincinnati, OH 45241
www.viqx.com

PE Services
1650 Riverchase Circle
Cincinnati, OH 45241
www.pe-services.com
9 North Broadway
Lebanon, OH 45046
513-836-3810

RUSS ALLEY
1623 - 1625 VINE STREET, 1624 REPUBLIC STREET
(1625 VINE HPTC APPLICATION)
CINCINNATI, OH 45202

3CDC CINCINNATI CENTER CITY DEVELOPMENT CORPORATION

ISSUE LOG:
06.02.2023
ISSUE FOR PERMIT
07.14.2023
PERMIT REVISION 1
09.21.2023
OHFA PRELIM. SUBMISSION

ENLARGED PLANS & INTERIOR ELEVATIONS

A8.1

PRELIMINARY:
NOT FOR CONSTRUCTION

NOT FOR CONSTRUCTION

CITYSTUDIOS ARCHITECTURE
1148 Main Street
Cincinnati, OH 45202
ph. 513.621.0750
citystudiosarch.com

advantage STRUCTURAL ENGINEERS
1527 Madison Road
Cincinnati, OH 45206
513.396.8900
www.advantageSE.com

VIOX & VIOX
Civil Engineer, Surveyor, and Landscape Architect
1800 Springwood Avenue, Cincinnati, OH 45215
Phone: 513.333.4444 • Fax: 513.333.4444 • www.viox.com

PE Services
1-513-436-3810
www.pe-services.com
9 North Broadway
Lebanon, OH 45046
513-836-3810

RUSS ALLEY
1623 - 1625 VINE STREET, 1624 REPUBLIC STREET
(1625 VINE HPTC APPLICATION)
CINCINNATI, OH 45202

3CDC CINCINNATI CENTER CITY DEVELOPERS CORPORATION

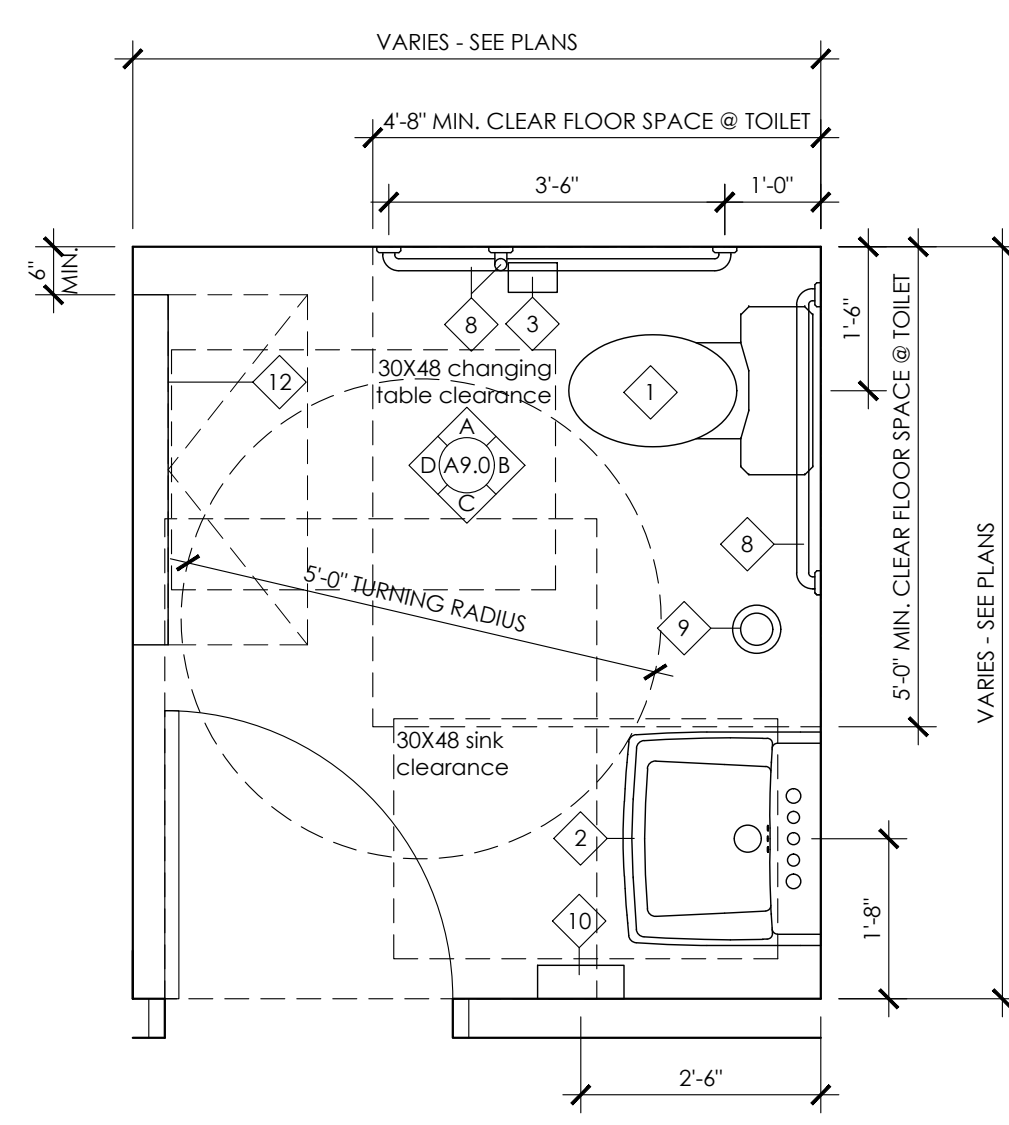
ISSUE LOG:
06.02.2023 ISSUE FOR PERMIT
07.14.2023 PERMIT REVISION 1
09.21.2023 OHFA PRELIM. SUBMISSION

COMMERCIAL SPACE RESTROOM GENERAL NOTES

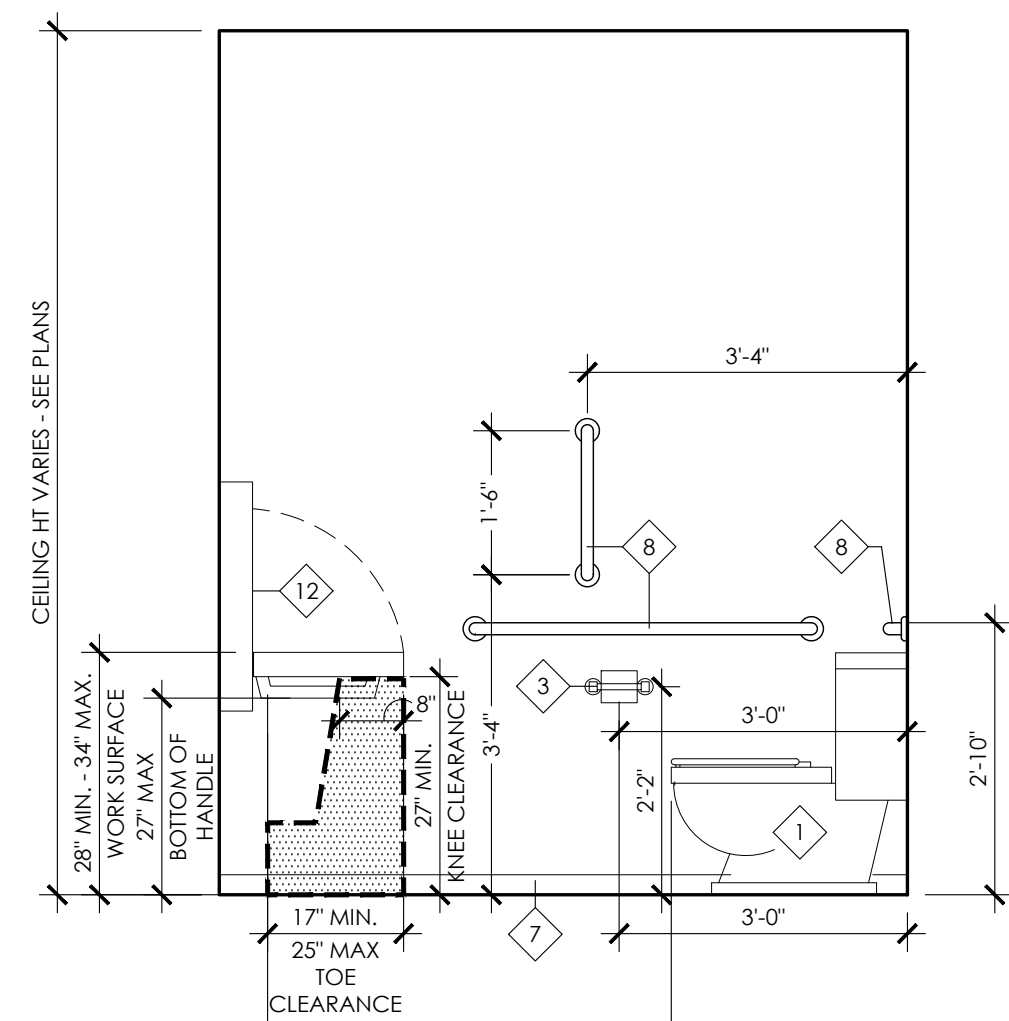
1. TYPICAL ENLARGED PLANS AND INTERIOR ELEVATIONS ARE DIAGRAMMATIC AND ARE FOR REFERENCE ONLY. REFER TO NEW WORK PLANS FOR SPECIFIC LAYOUTS INCLUDING DOOR CONFIGURATION AND CLEARANCES.
2. PROVIDE BLOCKING FOR WALL-HUNG ACCESSORIES. SEE SPECIFICATIONS.
3. SEE PLANS FOR WALL TYPES AND FINISHED CEILING HEIGHTS.
4. SEE PLUMBING DRAWINGS FOR PLUMBING FIXTURE SCHEDULE.
5. SEE ELECTRICAL DRAWINGS FOR LIGHT FIXTURES.
6. PROVIDE MOISTURE/MOLD RESISTANT GYPSUM BOARD. SEE "MOLD & MOISTURE RESISTANT GYP. BD. SCHEDULE" ON A0.2 FOR ADDITIONAL INFORMATION.
7. SEE FINISH SCHEDULE ON A0.2 FOR FLOOR, WALL, AND CEILING FINISHES.

COMMERCIAL SPACE RESTROOM KEYNOTES

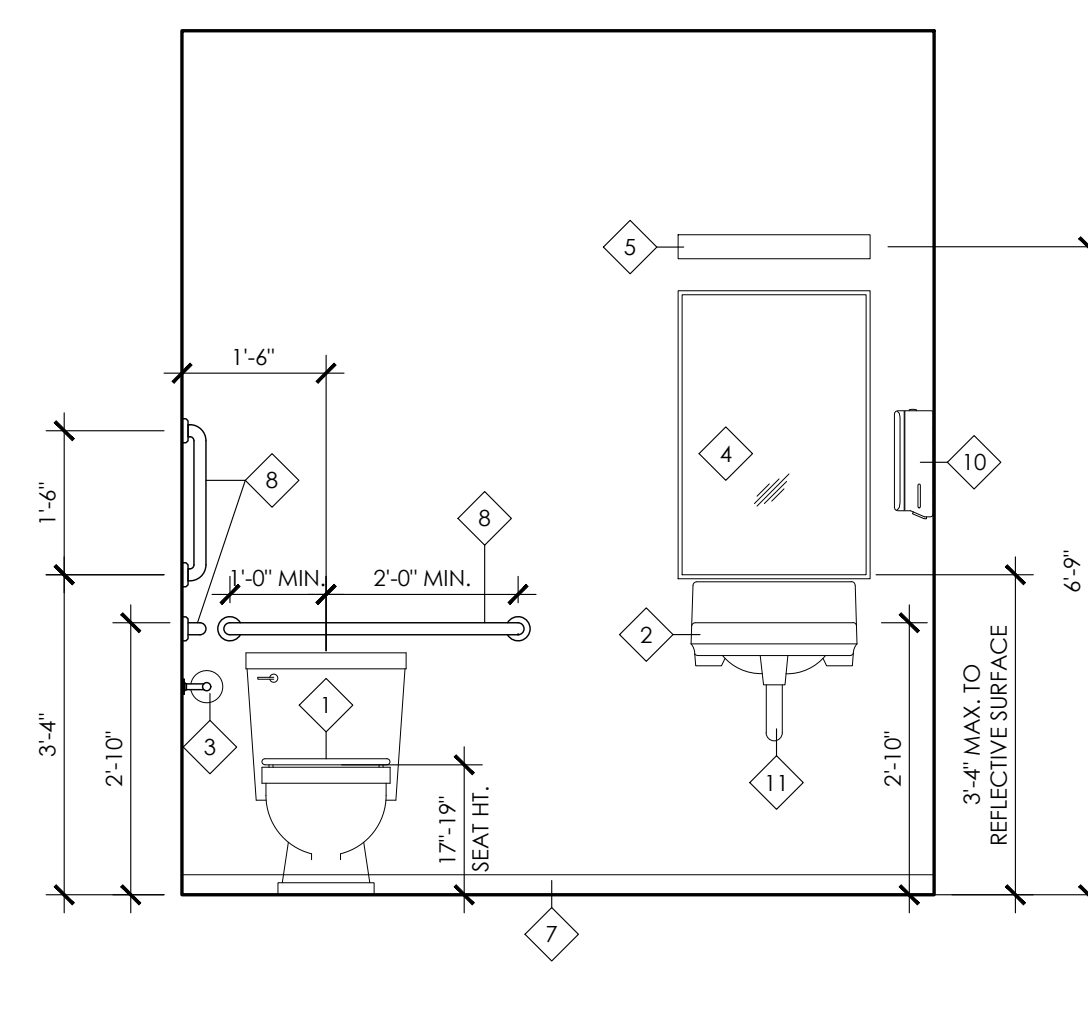
1. ADA / ANSI A117.1 COMPLIANT FLOOR-MOUNTED TOILET.
2. ADA / ANSI A117.1 COMPLIANT WALL HUNG LAVATORY & FAUCET.
3. TOILET PAPER HOLDER (BASIS OF DESIGN BOBRICK B-685)
4. 24" X 36" FRAMED MIRROR (BASIS OF DESIGN BOBRICK B-165)
5. VANITY LIGHT. SEE ELECTRICAL DWGS.
6. ADA / ANSI A117.1 KNEE AND TOE CLEARANCE. PLUMBING SHALL NOT ENCR OACH INTO THIS AREA.
7. WALL BASE. SEE FINISH SCHEDULE.
8. ANCHORED METAL GRAB BARS PER ANSI A117.1.1, SIZE AS INDICATED (BASIS OF DESIGN BOBRICK B-6806)
9. FLUSH FLOOR DRAIN - SEE PLUMBING DWGS.
10. PAPER TOWEL HOLDER (BASIS OF DESIGN BOBRICK B-4262)
11. PROVIDE DRAIN AND PIPE INSULATION TO PROTECT AGAINST CONTACT.
12. SURFACE-MOUNTED HORIZONTAL BABY CHANGING STATION. (KOALA KB310-SSWM). INSTALL PER MFG. INSTRUCTIONS AND TO ADA / ANSI A117.1 STANDARDS.



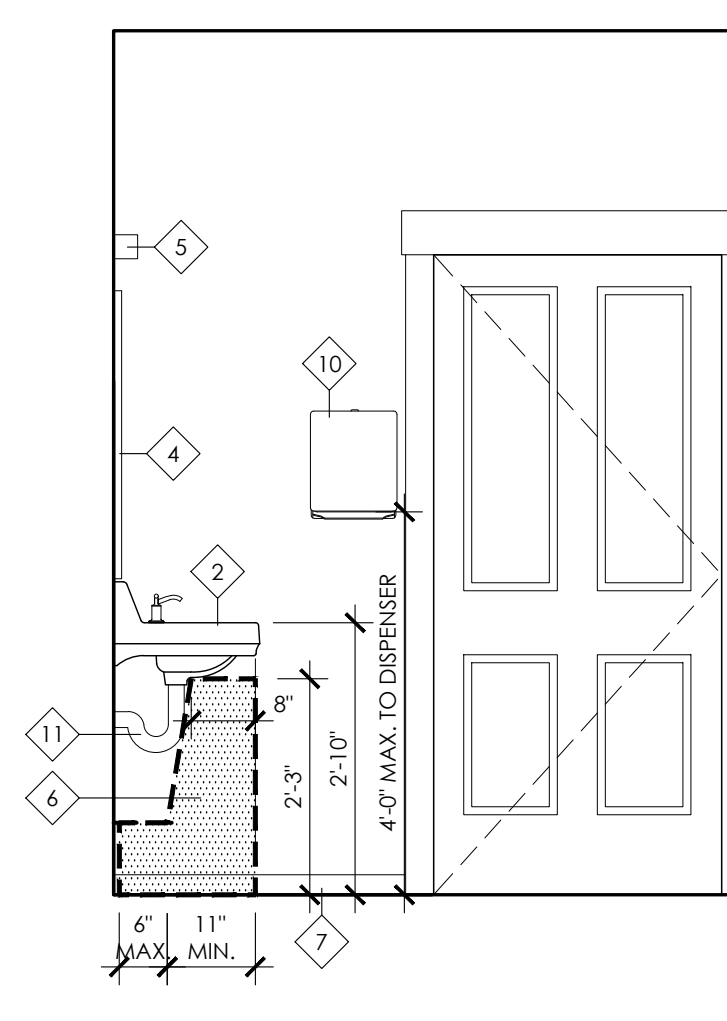
TYPICAL ENLARGED PLAN



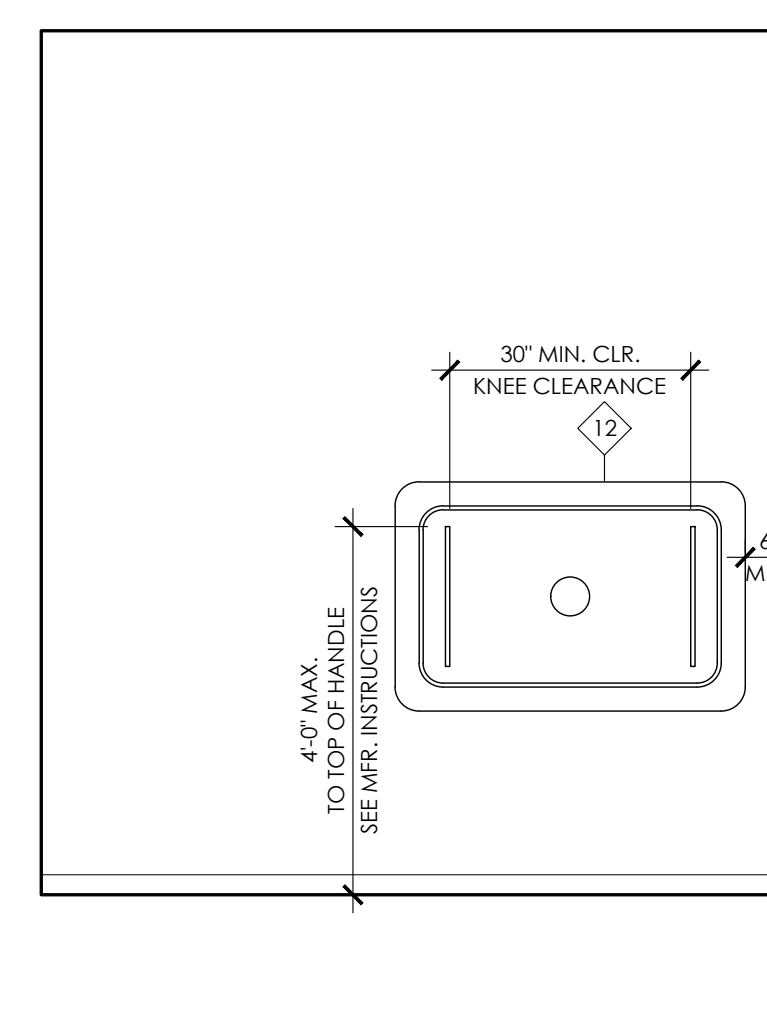
ELEVATION A



ELEVATION B



ELEVATION C



ELEVATION D

1 A9.0 TYPICAL COMMERCIAL SPACE ACCESSIBLE RESTROOM*

1/2" = 1'-0"

*RESTROOM LAYOUTS VARY. SEE PLAN FOR LAYOUT.

TYPICAL COMMERCIAL SPACE RESTROOM ENLARGED PLAN & ELEVATIONS

A9.0

PRELIMINARY: NOT FOR CONSTRUCTION

GENERAL STRUCTURAL NOTES

COPIES OF PUBLICATIONS REFERENCED IN THESE GENERAL STRUCTURAL NOTES ARE AVAILABLE FOR REVIEW AT ADVANTAGE GROUP ENGINEERS, INC. CONTRACTORS UNFAMILIAR WITH THESE PUBLICATIONS MUST REVIEW THEM PRIOR TO CONSTRUCTION.

GOVERNING CODE

OHIO BUILDING CODE - 2017, BASED ON 2015 IBC
CINCINNATI BUILDING CODE - 2023
CLASSIFICATION OF THE BUILDING STRUCTURE:
RISK CATEGORY II, TABLE 1604.5

DESIGN LOADS

- ROOF LOAD:
 - MINIMUM LIVE LOAD OR SNOW LOAD: 20 PSF
 - DEAD LOAD ALLOWANCE: 15 PSF
- SNOW LOAD:
 - GROUND SNOW LOAD, $P_g = 20$ PSF
 - FLAT ROOF SNOW LOAD, $P_f = 14$ PSF MODIFIED BY APPLICABLE BUILDING COEFFICIENTS.
 - MINIMUM ROOF SNOW LOAD, $P_m = 20$ PSF
 - SNOW LOAD IMPORTANCE FACTOR, $I_s = 1.0$
 - SNOW EXPOSURE FACTOR, $C_e = 1.0$
 - THERMAL FACTOR, $T = 1.0$
 - COORDINATE ROOF FRAMING WITH FINAL SELECTION OF ROOF SUPPORTED MECHANICAL EQUIPMENT AND ASSOCIATED OPENINGS. ITEMS TO BE COORDINATED INCLUDE SIZE, LOCATION, TOTAL WEIGHT, WEIGHT DISTRIBUTION, AND SUPPORT FRAME REQUIREMENTS.

FLOOR LOAD:

- LIVE LOAD:
 - FIRST FLOOR: 100 PSF (ASSEMBLY)
 - FIRST FLOOR, FIFTH FLOOR: 40 PSF (RESIDENTIAL UNITS/COORDINATORS SERVING PRIVATE UNITS)
- DEAD LOAD:
 - ALLOWANCE AT WOOD FRAMED FLOORS: 10 PSF
 - JOIST FRAMING: 2 PSF
 - CEILING (6" DRYWALL): 2 PSF
 - CEILING (6" DRYWALL): 3 PSF
 - DUCTS, LIGHTS, MISC MECH: 3 PSF

WIND LOAD:

- MAIN WIND FORCE RESISTING SYSTEM: 115 MPH PER ASCE 7-10 (3-SECOND GUST - LOAD AND RESISTANCE FACTOR DESIGN)
- WIND EXPOSURE: B
- BASIC WIND VELOCITY PRESSURE, $q = 24$ PSF
- INTERNAL GUST PRESSURE COEFFICIENT, $C_{gp} = 0.18$ (ENCLOSED BUILDING)

SPECIAL LOADS:

- INTERIOR FINISH: 5 PSF HORIZONTAL LOAD
- HANDRAILS: 200 POUND CONCENTRATED LOAD AT ANY POINT, IN ANY DIRECTION, OR 50 PLF UNIFORM LOAD IN ANY DIRECTION.
- GUARDRAILS:
 - TOP RAIL: 200 POUNDS CONCENTRATED AT ANY POINT IN ANY DIRECTION, OR 50 PLF UNIFORM LOAD IN ANY DIRECTION.
 - IN-FILL AREAS: 50 POUNDS APPLIED OVER A 1 SQUARE FOOT AREA.

SPECIAL INSPECTIONS

PER THE REQUIREMENTS OF CHAPTER 17 SECTION 1704.1 OF THE REFERENCED BUILDING CODE, A SPECIAL INSPECTION IS REQUIRED FOR THE PROPOSED BUILDING CONSTRUCTION. SPECIAL INSPECTION INVOLVES THE VERIFICATION OF COMPLIANCE OR MATERIALS, INSTALLATION, FABRICATION, ERECTION AND OR PLACEMENT OF COMPONENTS WITH THE OFFICIAL SET OF CONSTRUCTION DOCUMENTS AND REFERENCED STANDARDS. SPECIAL INSPECTION IS PART OF THE PERMIT APPLICATION PROCESS FUNDED BY THE OWNER OR THE OWNER'S AGENT.

A STATEMENT OF SPECIAL INSPECTION LISTING THE REQUIREMENTS ALONG WITH A SCHEDULE FOR TESTING, SUBMITTALS, REVIEWS, AND FIELD OBSERVATION REQUIREMENTS HAS BEEN PREPARED BY THE STRUCTURAL ENGINEER OF RECORD IN ACCORDANCE WITH SECTION 106.1 OF THE BUILDING CODE. THIS STATEMENT INCLUDES A COMPLETE LIST OF MATERIAL AND ACTIVITY REQUIRING INSPECTION. IT IS THE RESPONSIBILITY OF ALL PARTIES TO BECOME FAMILIAR WITH THIS REQUIREMENT AND UNDERSTAND THE GUIDELINES AND REQUIREMENTS OF EACH PARTY INVOLVED WITH THE CONSTRUCTION. A COPY OF THE STATEMENT OF SPECIAL INSPECTION IS AVAILABLE UPON REQUEST. THE SPECIAL INSPECTOR COORDINATOR SHALL COORDINATE WITH THE OWNER, CONTRACTOR AND THE DESIGN PROFESSIONALS AND SCHEDULE THE INSPECTIONS ACCORDINGLY.

SUBSTITUTIONS, SUBMITTALS, AND RFI'S

- CONTRACTOR SHALL SUBMIT ALL SUBSTITUTIONS FOR APPROVAL PRIOR TO CONSTRUCTION WITH THE FOLLOWING INFORMATION:
 - THE SCOPE, EXTENT, AND ALL LOCATIONS AFFECTED BY THE PROPOSED SUBSTITUTION.
 - SPECIFIC DRAWING OR SPECIFICATION REFERENCES FOR THE ORIGINAL PRODUCT OR SYSTEM SPECIFIED.
 - THE REASON FOR THE PROPOSED CHANGE.
 - COST SAVINGS AND/OR IMPACT ON THE SCHEDULE.
 - IMPACT ON ANY WARRANTIES OR WARRANTIES ASSOCIATED WITH THE PRODUCT OR SYSTEM.
 - COORDINATION REQUIRED WITH OTHER TRADES OR ADJACENT MATERIALS.
 - ANY AND ALL DEVIATIONS FROM THE SPECIFIED REQUIREMENTS.
- REQUESTS FOR INFORMATION (RFI'S) SHALL BE SUBMITTED IN A TIMELY MANNER WHEN INFORMATION IS MISSING FROM THE CONSTRUCTION DOCUMENTS. INFORMATION IS CONFLICTING WITHIN THE CONSTRUCTION DOCUMENTS, OR IS AMBIGUOUS.

- THE CONTRACTOR MUST USE DUE DILIGENCE IN ATTEMPTING TO FIND ANY ANSWER PRIOR TO SUBMITTING AN RFI.
- IF THE INFORMATION REQUESTED IN AN RFI IS APPARENT FROM FIELD OBSERVATION, IS CONTAINED IN THE CONSTRUCTION DOCUMENTS, OR IS REASONABLY INFERRABLE FROM THE CONSTRUCTION DOCUMENTS, THE CONTRACTOR SHALL BE RESPONSIBLE TO THE OWNER FOR ALL REASONABLE COSTS CHARGED RELATED TO ADDITIONAL SERVICES INCURRED DUE TO ANSWERING THE RFI.

CONSTRUCTION AND SAFETY

- THE ENGINEER SHALL NOT BE RESPONSIBLE FOR THE MEANS, METHODS, TECHNIQUES, SEQUENCES OR PROCEDURES OF CONSTRUCTION SELECTED BY THE CONTRACTOR.
- THE CONTRACTOR SHALL BE SOLELY AND COMPLETELY RESPONSIBLE FOR CONDITIONS OF THE JOB SITE INCLUDING SAFETY OF ALL PERSONS AND PROPERTY DURING PERFORMANCE OF THE WORK. THIS REQUIREMENT WILL APPLY CONTINUOUSLY AND NOT BE LIMITED TO NORMAL WORKING HOURS. WHEN ON SITE, THE ENGINEER IS RESPONSIBLE FOR HIS OWN SAFETY BUT HAS NO RESPONSIBILITY FOR THE SAFETY OF OTHER PERSONNEL OR SAFETY CONDITIONS AT THE SITE.
- THE CONTRACTOR SHALL ONLY USE STRUCTURAL PLANS ISSUED AS "FOR CONSTRUCTION" OR ISSUES THEREAFTER. PRIOR ISSUES SHALL ONLY BE USED FOR PERMITTING OR BIDDING PURPOSES.
- THE CONTRACTOR SHALL VERIFY ALL EXISTING CONDITIONS AND DIMENSIONS. SHOULD ANY DISCREPANCY BE FOUND, THE CONTRACTOR SHALL NOTIFY THE ARCHITECT/ENGINEER IMMEDIATELY OF THE CONDITION.
- THE CONTRACTOR SHALL BRACE ENTIRE STRUCTURE AS REQUIRED DURING DEMOLITION AND CONSTRUCTION TO MAINTAIN STABILITY UNTIL THE STRUCTURE IS COMPLETE AND FUNCTIONING AS THE DESIGNED UNIT.
- THE OWNER AND ENGINEER HAS MADE NO INVESTIGATION TO DETERMINE IF ASBESTOS OR ANY OTHER HAZARDOUS MATERIAL IS PRESENT IN EXISTING CONSTRUCTION AND ASSUMES NO RESPONSIBILITY WITH REGARD TO ASBESTOS OR ANY OTHER HAZARDOUS MATERIAL.
- THE CONTRACTOR IS TO REVIEW THESE DRAWINGS AND VISIT THE SITE BEFORE COMMENCING THE PROJECT IN ORDER TO FAMILIARIZE HIM OR HERSELF WITH THE PROPOSED WORK.
- THE CONTRACTOR IS TO PROTECT AND SAVE BUILDING ELEMENTS CONNECTED TO, OR ADJACENT TO, THOSE ELEMENTS WHICH ARE SLATED TO BE REMOVED.
- THE CONTRACTOR SHALL NOT REMOVE ANY ELEMENTS WHICH MAY CAUSE THE STRUCTURE TO BECOME UNSTABLE, OR THAT WILL POSE A RISK TO PERSONS OR PROPERTY, EVEN AS INDICATED IN PLANS. IF ANY ELEMENTS BECOME UNSTABLE, CONTRACTOR IS TO STABILIZE AND SHALL INFORM THE ENGINEER/OWNER IMMEDIATELY.
- IT IS UP TO THE CONTRACTOR TO CONTINUALLY EVALUATE THE STRUCTURAL STABILITY OF THE BUILDING AND THE INTEGRITY OF ELEMENTS BOTH STRUCTURAL AND NON-STRUCTURAL THAT ARE SHOWN TO REMAIN. IF THE CONTRACTOR DETERMINES THAT SOME OF THESE ELEMENTS SHOULD BE REMOVED, HE/SHE MUST FIRST RECEIVE PERMISSION FROM THE ENGINEER/OWNER, OR MAY BE FINANCIALLY RESPONSIBLE FOR THE REPLACEMENT OF THESE ELEMENTS.
- THE CONTRACTOR IS RESPONSIBLE FOR THE REMOVAL OF ALL TRASH AND DEBRIS THROUGHOUT THE WORK. ALL DEBRIS MUST BE REMOVED AND DISCARDED IN A SAFE AND LEGAL MANNER.
- CONTRACTOR IS TO PROTECT THE BUILDING FROM THE ELEMENTS, THEFT AND VANDALISM AT ALL TIMES DURING WORK.

- CONCRETE MIX DESIGNS SHALL BE SUBMITTED FOR EACH TYPE OF CONCRETE TO THE STRUCTURAL ENGINEER FOR APPROVAL IN ACCORDANCE WITH ACI 301 SECTION 4.2.3.4 FIELD TEST DATA OR TRIAL MIXTURES.
- SUBMIT SHOP DRAWINGS OF REINFORCING STEEL.
- MATERIALS (ALSO SEE CONCRETE MIX SCHEDULE):
 - REINFORCING STEEL: ASTM A615 OR ASTM 996 (AXLE ONLY) 60 KSI YIELD DEFORMED BARS AND ASTM A1064 MESH, SLAT SHEETS ONLY.
 - FLY ASH: ASTM C618, TYPE F OR C. FLY ASH-TOTAL CEMENTITIOUS RATIO SHALL NOT EXCEED 25% MAXIMUM.
 - GROUND GRANULATED BLAST FURNACE SLAG: ASTM C989. TOTAL GROUND GRANULATED BLAST FURNACE SLAG-TOTAL CEMENTITIOUS RATIO SHALL NOT EXCEED 50% MAXIMUM.
 - HIGH RANGE WATER REDUCER (HRWR) ADMIXTURE: ASTM C494.
 - CHLORIDE CONTENT OF CONCRETE: LIMIT TOTAL CHLORIDE ION CONTENT TO AMOUNT INDICATED IN TABLE 4.2.2.6 OF ACI 318. ADMIXTURES CONTAINING CHLORIDE ARE NOT PERMITTED IN REINFORCED CONCRETE OR CONCRETE CONTAINING METALS.
- CONCRETE MIX SCHEDULE:

Application	f_c @ 28 days (psi)	Air Content ¹ (%)	Max w/c ratio ²	Max Agg. Size ³ (in)	F Class	S Class	W Class	C Class
Footings & Drilled Piers	3000	N/A	0.55	3/4	F0	S0	W0	C0
Interior Floor Slab on Grade ⁴	4000	N/a	0.5	3/4	F0	S0	W0	C0
Exterior Flatwork (Plain Concrete)	4500	6% ± 1.5%	0.45	3/4	F3	S0	W1	C1

[1] - Where 3/8" maximum aggregate is preferred, adjust air entrainment to 7.5% ± 1.5% (if required).
[2] - Where air entrainment is not required by design, the contractor/supplier may choose to include air entrainment to improve placement or finish characteristics. Air entrainment is not permitted in normal weight concrete to receive a hard trowel finish and entrapped air shall not exceed 3%.
[3] - $f_c = 1800$ psi @ 3 days.
[4] - Where 3/8" maximum aggregate is preferred, adjust air entrainment to 7.5% ± 1.5% (if required).
- SLUMP SHALL BE MEASURED PRIOR TO THE ADDITION OF HRWR.
- ALL REINFORCING BARS, EMBEDS, AND ANCHOR RODS SHALL BE PLACED WITHIN THE REQUIRED TOLERANCES AND SUPPORTED TO PREVENT DISPLACEMENT DURING CONCRETE PLACEMENT. WORKING REINFORCING BARS, EMBEDS, AND ANCHOR RODS INTO WET CONCRETE (KNOWN AS "WET STICKING") IS PROHIBITED. IF NECESSARY, CONTRACTOR MAY PROVIDE ADDITIONAL REINFORCING BARS TO SECURELY TIE REINFORCING BARS, EMBEDS, AND ANCHOR RODS.
- LAP SPlice REINFORCING BARS 48 BAR DIAMETERS UNLESS NOTED OTHERWISE.
- BAR CLEARANCES BETWEEN ADJACENT BARS AND FORMWORK SHALL BE AS NOTED ON THE DRAWINGS OR A MINIMUM AS PER ACI REQUIREMENTS.
- AT CORNERS AND INTERSECTIONS OF FOOTINGS PROVIDE BENT BARS OF EQUAL SIZE AND AT SAME SPACING AS TYPICAL REINFORCING AROUND CORNERS AND INTO ADJACENT WALL OR GRADE BEAM. BARS SHALL HAVE EMBEDMENT OF 30 BAR DIAMETERS (18" MINIMUM).
- MACHINE TROWEL FINISH FLOOR SLAB AND CURE USING A METHOD RECOMMENDED BY ACI 302.1R (GUIDE FOR CONCRETE FLOOR AND SLAB CONSTRUCTION) INCLUDING WATER CURING, WET COVERING, APPLICATION OF IMPERVIOUS SHEETING OR APPLICATION OF "CURE AND SEAL" TYPE CURING COMPOUND MEETING ASTM C-1315. FOR APPLICATIONS EXPOSED TO SUNLIGHT USE CLASS A (NON-YELLOWING) CURING COMPOUND. COORDINATE CURING METHOD WITH ARCHITECTURAL FLOOR FINISHES THAT REQUIRE ADHESION TO THE SLAB (SUCH AS TILE) TO INSURE PROPER BOND.
- FLOOR SLAB-ON-GRADE SHALL CONFORM TO THE FOLLOWING SURFACE PROFILE TOLERANCES PER ASTM E-1155 AND ACI 117:

A. SPECIFIED OVERALL VALUE: 25 / 20
B. MINIMUM LOCAL VALUE: 18 / 13
C. MAXIMUM GAP UNDER 10 FT. UNLEVELLED STRAIGHTEDGE = 1/4".
- SEE ARCHITECTURAL DRAWINGS AND SPECIFICATIONS FOR VAPOR BARRIER REQUIREMENTS. VAPOR BARRIER, WHERE REQUIRED, SHALL BE PLACED OVER COMPACTED GRANULAR SUBBASE.
- AT SLAB AND WALL OPENING CORNERS AND REENTRANT CORNERS, PROVIDE (1) #5 BAR IN EACH FACE PARALLEL TO EACH EDGE EXTENDING A MINIMUM OF 2'-0" PAST EDGE OF OPENING. THIS STEEL MAY BE OMITTED IF TYPICAL REINFORCING STEEL EXCEEDS THIS MINIMUM REQUIREMENT.
- REINFORCE ALL INTERIOR SLABS ON GROUND WITH 6#6-W2-XW2.9 (42#) MESH, LOCATE MESH 2" CLEAR BELOW TOP OF SLAB.
- FINISH OF CONCRETE HANDICAP RAMPS TO CONFORM TO THE REQUIREMENTS OF THE AMERICANS WITH DISABILITIES ACT (ADA). COORDINATE LOCATION AND PATTERN WITH ARCHITECTURAL DRAWINGS.
- CONTROL JOINTS IN SLABS ON GROUND SHALL BE LOCATED AT 12'-0" MAXIMUM SPACING AND SHALL CREATE SECTIONS OF SLAB WITH A MAXIMUM ASPECT RATIO OF 1 1/2 TO 1. CONTROL JOINTS SHALL BE SAWN AND SHALL BE A MINIMUM OF 1/4 OF THE SLAB THICKNESS DEEP. THE CONTROL JOINT SHALL BE SAWN AS SOON AS THE SAW BLADE CAN CUT THE CONCRETE WITHOUT DISPLACING THE AGGREGATE. CUT EVERY OTHER MESH WIRE AT THE CONTROL JOINT LOCATION PRIOR TO PLACING CONCRETE. IF AN EARLY CUTTING SAW IS USED AND A SHALLOWER DEPTH OF THE CUT IS DESIRED, CONTACT THE ENGINEER IN ADVANCE FOR APPROVAL.
- CONSTRUCTION JOINTS IN SLABS ON GROUND MAY BE LOCATED AT ANY CONTROL JOINT LOCATION. CONSTRUCTION JOINTS SHALL HAVE A KEY FORMED AT MID-DEPTH OF THE FIRST CAST SECTION. THE KEY SHALL BE 1" DEEP AND SHALL BE 1/3 OF THE SLAB THICKNESS HIGH. THE TOP AND BOTTOM OF THE KEY SHALL HAVE 1 VERTICAL TO 3 HORIZONTAL SLOPE.
- FINISHED GRADE SHALL SLOPE AWAY FROM THE PERIMETER FOUNDATION.

MISCELLANEOUS STRUCTURAL NOTES

- THESE STRUCTURAL DRAWINGS DEPICT A STRUCTURAL SYSTEM AND THE MAJOR COMPONENTS OF THAT SYSTEM. MINOR ITEMS, INCLUDING BUT NOT LIMITED TO, POURSTOPS, DECK SUPPORT ANGLES, FRAMES AT FLOOR AND ROOF DECK OPENINGS, OFS AT ARCHITECTURAL FEATURES, ETC. SHALL BE SUPPLIED BY THE CONTRACTOR AS NEEDED TO PROVIDE A COMPLETE SYSTEM.
- WHERE DETAILS ARE CALLED FOR IN ONE AREA OF THE BUILDING, THEY SHALL BE DUPLICATED AT SIMILAR CONDITIONS UNLESS NOTED OTHERWISE.
- STRUCTURAL AND ARCHITECTURAL PLANS SHOW DIMENSIONS AND ELEVATIONS TO SIGNIFICANT WORKING POINTS. CONTRACTORS, DETAILERS AND SUPPLIERS ARE RESPONSIBLE FOR THE DETERMINATION OF ALL DIMENSIONS, FITCHES, ELEVATIONS, ETC. BEYOND THOSE NOTED AS NECESSARY TO THOROUGHLY DETAIL/FABRICATE THEIR WORK. CONTACT ARCHITECT WITH ANY DISCREPANCIES FOUND.

FOUNDATIONS

- SOIL CONDITIONS:
 - PER THE CLIENT'S REQUEST, THE FOUNDATION DESIGN AND GENERAL FOUNDATION NOTES ARE BASED ON THE ASSUMPTION OF FAVORABLE SOIL CONDITIONS. THE CONTRACTOR SHALL RETAIN THE SERVICES OF A GEOTECHNICAL CONSULTANT TO VERIFY THE DESIGN ASSUMPTIONS OF NATIVE UNDISTURBED SOILS PRIOR TO THE FOUNDATION INSTALLATION. THE COST FOR THIS DOCUMENTATION SHALL BE IDENTIFIED AS A SEPARATE ITEM ON THE CONTRACTOR'S BID. THE CONTRACTOR SHALL SUBMIT COPIES OF ALL FIELD-TESTING DOCUMENTATION TO ADVANTAGE GROUP ENGINEERS.
 - THE BOTTOM OF FOUNDATION ELEVATION INDICATED ARE FOR BIDDING PURPOSES AND MAY BE LOWERED TO SUIT SUB-SURFACE SOIL CONDITION. BEARING STRAT A SHALL BE APPROVED BY A GEOTECHNICAL ENGINEER PRIOR TO PLACING CONCRETE. PROVIDE ENGINEERED FILL OR FLOWABLE FILL CONCRETE (500 PSI) UNDER FOUNDATIONS AT SOFT SPOTS AND FOR EXTENDING EXCAVATION TO ADEQUATE BEARING MATERIAL. INSTALL FOUNDATIONS AT DESIGNED ELEVATIONS.
 - FOOTINGS AND GRADE BEAMS MAY BE PLACED WITHOUT SIDE FORMS IF EXCAVATED WALLS STAND APPROXIMATELY VERTICAL.
 - ALL FOOTINGS SHALL BEAR ON LEVEL (WITHIN 1" IN 12) UNDISTURBED SOIL OR APPROVED ENGINEERED FILL. FOUNDATIONS HAVE BEEN DESIGNED FOR A MAXIMUM SOIL BEARING PRESSURE OF 1500 PSF BELOW STRIP FOOTINGS.
 - CONTRACTOR SHALL CONTACT UTILITY COMPANIES FOR LOCATING UNDERGROUND SERVICES AND IS RESPONSIBLE FOR THEIR PROTECTION AND SUPPORT.
 - ALL AREAS WITHIN THE FOOTPRINT OF THE BUILDING, INCLUDING UTILITY TRENCHES, MUST BE FREE OF ANY WET AND/OR SOFT AREAS PRIOR TO THE PLACEMENT OF FILL MATERIAL OR SLAB.
- FINISHED GRADE SHALL SLOPE AWAY FROM THE PERIMETER FOUNDATION.

CONCRETE

- CONCRETE WORK AND TESTING SHALL CONFORM TO ALL REQUIREMENTS OF ACI 301, "SPECIFICATIONS FOR STRUCTURAL CONCRETE FOR BUILDINGS", EXCEPT AS MODIFIED BY THE SUPPLEMENTAL REQUIREMENTS BELOW. REPORTS FROM TESTS REQUIRED BY SECTION 1.6 OF ACI 301 SHALL BE SUBMITTED TO STRUCTURAL ENGINEER, ARCHITECT, OWNER, CONTRACTOR, CONCRETE SUPPLIER, AND BUILDING OFFICIAL.
- CONCRETE WORK IN COLD WEATHER SHALL CONFORM TO ALL REQUIREMENTS OF ACI 306.1 "STANDARD SPECIFICATION FOR COLD WEATHER CONCRETING" AND ACI 308R "COLD WEATHER CONCRETING".
- CONCRETE WORK IN HOT WEATHER SHALL CONFORM TO ALL REQUIREMENTS OF ACI 306R "HOT WEATHER CONCRETING". THE AIR TEMPERATURE, RELATIVE HUMIDITY, CONCRETE TEMPERATURE, AND WIND VELOCITY SHALL BE ENTERED INTO THE MONOGRAPH OF THIS REFERENCE TO DETERMINE IF PRECAUTIONS AGAINST PLASTIC SHRINKAGE ARE REQUIRED.

EXPANSION AND EPOXY ADHESIVE ANCHORS

- EPOXY ADHESIVE ANCHORS:
 - CONCRETE MIX DESIGNS SHALL BE SUBMITTED FOR EACH TYPE OF CONCRETE TO THE STRUCTURAL ENGINEER FOR APPROVAL IN ACCORDANCE WITH ACI 301 SECTION 4.2.3.4 FIELD TEST DATA OR TRIAL MIXTURES.
 - SUBMIT SHOP DRAWINGS OF REINFORCING STEEL.
 - MATERIALS (ALSO SEE CONCRETE MIX SCHEDULE):
 - REINFORCING STEEL: ASTM A615 OR ASTM 996 (AXLE ONLY) 60 KSI YIELD DEFORMED BARS AND ASTM A1064 MESH, SLAT SHEETS ONLY.
 - FLY ASH: ASTM C618, TYPE F OR C. FLY ASH-TOTAL CEMENTITIOUS RATIO SHALL NOT EXCEED 25% MAXIMUM.
 - GROUND GRANULATED BLAST FURNACE SLAG: ASTM C989. TOTAL GROUND GRANULATED BLAST FURNACE SLAG-TOTAL CEMENTITIOUS RATIO SHALL NOT EXCEED 50% MAXIMUM.
 - HIGH RANGE WATER REDUCER (HRWR) ADMIXTURE: ASTM C494.
 - CHLORIDE CONTENT OF CONCRETE: LIMIT TOTAL CHLORIDE ION CONTENT TO AMOUNT INDICATED IN TABLE 4.2.2.6 OF ACI 318. ADMIXTURES CONTAINING CHLORIDE ARE NOT PERMITTED IN REINFORCED CONCRETE OR CONCRETE CONTAINING METALS.
 - CONCRETE MIX SCHEDULE:

Application	f_c @ 28 days (psi)	Air Content ¹ (%)	Max w/c ratio ²	Max Agg. Size ³ (in)	F Class	S Class	W Class	C Class
Footings & Drilled Piers	3000	N/A	0.55	3/4	F0	S0	W0	C0
Interior Floor Slab on Grade ⁴	4000	N/a	0.5	3/4	F0	S0	W0	C0
Exterior Flatwork (Plain Concrete)	4500	6% ± 1.5%	0.45	3/4	F3	S0	W1	C1

[1] - Where 3/8" maximum aggregate is preferred, adjust air entrainment to 7.5% ± 1.5% (if required).
[2] - Where air entrainment is not required by design, the contractor/supplier may choose to include air entrainment to improve placement or finish characteristics. Air entrainment is not permitted in normal weight concrete to receive a hard trowel finish and entrapped air shall not exceed 3%.
[3] - $f_c = 1800$ psi @ 3 days.
[4] - Where 3/8" maximum aggregate is preferred, adjust air entrainment to 7.5% ± 1.5% (if required).
 - SLUMP SHALL BE MEASURED PRIOR TO THE ADDITION OF HRWR.
 - ALL REINFORCING BARS, EMBEDS, AND ANCHOR RODS SHALL BE PLACED WITHIN THE REQUIRED TOLERANCES AND SUPPORTED TO PREVENT DISPLACEMENT DURING CONCRETE PLACEMENT. WORKING REINFORCING BARS, EMBEDS, AND ANCHOR RODS INTO WET CONCRETE (KNOWN AS "WET STICKING") IS PROHIBITED. IF NECESSARY, CONTRACTOR MAY PROVIDE ADDITIONAL REINFORCING BARS TO SECURELY TIE REINFORCING BARS, EMBEDS, AND ANCHOR RODS.
 - LAP SPlice REINFORCING BARS 48 BAR DIAMETERS UNLESS NOTED OTHERWISE.
 - BAR CLEARANCES BETWEEN ADJACENT BARS AND FORMWORK SHALL BE AS NOTED ON THE DRAWINGS OR A MINIMUM AS PER ACI REQUIREMENTS.
 - AT CORNERS AND INTERSECTIONS OF FOOTINGS PROVIDE BENT BARS OF EQUAL SIZE AND AT SAME SPACING AS TYPICAL REINFORCING AROUND CORNERS AND INTO ADJACENT WALL OR GRADE BEAM. BARS SHALL HAVE EMBEDMENT OF 30 BAR DIAMETERS (18" MINIMUM).
 - MACHINE TROWEL FINISH FLOOR SLAB AND CURE USING A METHOD RECOMMENDED BY ACI 302.1R (GUIDE FOR CONCRETE FLOOR AND SLAB CONSTRUCTION) INCLUDING WATER CURING, WET COVERING, APPLICATION OF IMPERVIOUS SHEETING OR APPLICATION OF "CURE AND SEAL" TYPE CURING COMPOUND MEETING ASTM C-1315. FOR APPLICATIONS EXPOSED TO SUNLIGHT USE CLASS A (NON-YELLOWING) CURING COMPOUND. COORDINATE CURING METHOD WITH ARCHITECTURAL FLOOR FINISHES THAT REQUIRE ADHESION TO THE SLAB (SUCH AS TILE) TO INSURE PROPER BOND.
 - FLOOR SLAB-ON-GRADE SHALL CONFORM TO THE FOLLOWING SURFACE PROFILE TOLERANCES PER ASTM E-1155 AND ACI 117:

A. SPECIFIED OVERALL VALUE: 25 / 20
B. MINIMUM LOCAL VALUE: 18 / 13
C. MAXIMUM GAP UNDER 10 FT. UNLEVELLED STRAIGHTEDGE = 1/4".
 - SEE ARCHITECTURAL DRAWINGS AND SPECIFICATIONS FOR VAPOR BARRIER REQUIREMENTS. VAPOR BARRIER, WHERE REQUIRED, SHALL BE PLACED OVER COMPACTED GRANULAR SUBBASE.
 - AT SLAB AND WALL OPENING CORNERS AND REENTRANT CORNERS, PROVIDE (1) #5 BAR IN EACH FACE PARALLEL TO EACH EDGE EXTENDING A MINIMUM OF 2'-0" PAST EDGE OF OPENING. THIS STEEL MAY BE OMITTED IF TYPICAL REINFORCING STEEL EXCEEDS THIS MINIMUM REQUIREMENT.
 - REINFORCE ALL INTERIOR SLABS ON GROUND WITH 6#6-W2-XW2.9 (42#) MESH, LOCATE MESH 2" CLEAR BELOW TOP OF SLAB.
 - FINISH OF CONCRETE HANDICAP RAMPS TO CONFORM TO THE REQUIREMENTS OF THE AMERICANS WITH DISABILITIES ACT (ADA). COORDINATE LOCATION AND PATTERN WITH ARCHITECTURAL DRAWINGS.
 - CONTROL JOINTS IN SLABS ON GROUND SHALL BE LOCATED AT 12'-0" MAXIMUM SPACING AND SHALL CREATE SECTIONS OF SLAB WITH A MAXIMUM ASPECT RATIO OF 1 1/2 TO 1. CONTROL JOINTS SHALL BE SAWN AND SHALL BE A MINIMUM OF 1/4 OF THE SLAB THICKNESS DEEP. THE CONTROL JOINT SHALL BE SAWN AS SOON AS THE SAW BLADE CAN CUT THE CONCRETE WITHOUT DISPLACING THE AGGREGATE. CUT EVERY OTHER MESH WIRE AT THE CONTROL JOINT LOCATION PRIOR TO PLACING CONCRETE. IF AN EARLY CUTTING SAW IS USED AND A SHALLOWER DEPTH OF THE CUT IS DESIRED, CONTACT THE ENGINEER IN ADVANCE FOR APPROVAL.
 - CONSTRUCTION JOINTS IN SLABS ON GROUND MAY BE LOCATED AT ANY CONTROL JOINT LOCATION. CONSTRUCTION JOINTS SHALL HAVE A KEY FORMED AT MID-DEPTH OF THE FIRST CAST SECTION. THE KEY SHALL BE 1" DEEP AND SHALL BE 1/3 OF THE SLAB THICKNESS HIGH. THE TOP AND BOTTOM OF THE KEY SHALL HAVE 1 VERTICAL TO 3 HORIZONTAL SLOPE.
 - FINISHED GRADE SHALL SLOPE AWAY FROM THE PERIMETER FOUNDATION.

Application	f_c @ 28 days (psi)	Air Content ¹ (%)	Max w/c ratio ²	Max Agg. Size ³ (in)	F Class	S Class	W Class	C Class
Footings & Drilled Piers	3000	N/A	0.55	3/4	F0	S0	W0	C0
Interior Floor Slab on Grade ⁴	4000	N/a	0.5	3/4	F0	S0	W0	C0
Exterior Flatwork (Plain Concrete)	4500	6% ± 1.5%	0.45	3/4	F3	S0	W1	C1

[1] - Where 3/8" maximum aggregate is preferred, adjust air entrainment to 7.5% ± 1.5% (if required).
[2] - Where air entrainment is not required by design, the contractor/supplier may choose to include air entrainment to improve placement or finish characteristics. Air entrainment is not permitted in normal weight concrete to receive a hard trowel finish and entrapped air shall not exceed 3%.
[3] - $f_c = 1800$ psi @ 3 days.
[4] - Where 3/8" maximum aggregate is preferred, adjust air entrainment to 7.5% ± 1.5% (if required).

- CONCRETE MIX DESIGNS SHALL BE SUBMITTED FOR EACH TYPE OF CONCRETE TO THE STRUCTURAL ENGINEER FOR APPROVAL IN ACCORDANCE WITH ACI 301 SECTION 4.2.3.4 FIELD TEST DATA OR TRIAL MIXTURES.
- SUBMIT SHOP DRAWINGS OF REINFORCING STEEL.
- MATERIALS (ALSO SEE CONCRETE MIX SCHEDULE):
 - REINFORCING STEEL: ASTM A615 OR ASTM 996 (AXLE ONLY) 60 KSI YIELD DEFORMED BARS AND ASTM A1064 MESH, SLAT SHEETS ONLY.
 - FLY ASH: ASTM C618, TYPE F OR C. FLY ASH-TOTAL CEMENTITIOUS RATIO SHALL NOT EXCEED 25% MAXIMUM.
 - GROUND GRANULATED BLAST FURNACE SLAG: ASTM C989. TOTAL GROUND GRANULATED BLAST FURNACE SLAG-TOTAL CEMENTITIOUS RATIO SHALL NOT EXCEED 50% MAXIMUM.
 - HIGH RANGE WATER REDUCER (HRWR) ADMIXTURE: ASTM C494.
 - CHLORIDE CONTENT OF CONCRETE: LIMIT TOTAL CHLORIDE ION CONTENT TO AMOUNT INDICATED IN TABLE 4.2.2.6 OF ACI 318. ADMIXTURES CONTAINING CHLORIDE ARE NOT PERMITTED IN REINFORCED CONCRETE OR CONCRETE CONTAINING METALS.
- CONCRETE MIX SCHEDULE:

Application	f_c @ 28 days (psi)	Air Content ¹ (%)	Max w/c ratio ²	Max Agg. Size ³ (in)	F Class	S Class	W Class	C Class
Footings & Drilled Piers	3000	N/A	0.55	3/4	F0	S0	W0	C0
Interior Floor Slab on Grade ⁴	4000	N/a	0.5	3/4	F0	S0	W0	C0
Exterior Flatwork (Plain Concrete)	4500	6% ± 1.5%	0.45	3/4	F3	S0	W1	C1

[1] - Where 3/8" maximum aggregate is preferred, adjust air entrainment to 7.5% ± 1.5% (if required).
[2] - Where air entrainment is not required by design, the contractor/supplier may choose to include air entrainment to improve placement or finish characteristics. Air entrainment is not permitted in normal weight concrete to receive a hard trowel finish and entrapped air shall not exceed 3%.
[3] - $f_c = 1800$ psi @ 3 days.
[4] - Where 3/8" maximum aggregate is preferred, adjust air entrainment to 7.5% ± 1.5% (if required).
- SLUMP SHALL BE MEASURED PRIOR TO THE ADDITION OF HRWR.
- ALL REINFORCING BARS, EMBEDS, AND ANCHOR RODS SHALL BE PLACED WITHIN THE REQUIRED TOLERANCES AND SUPPORTED TO PREVENT DISPLACEMENT DURING CONCRETE PLACEMENT. WORKING REINFORCING BARS, EMBEDS, AND ANCHOR RODS INTO WET CONCRETE (KNOWN AS "WET STICKING") IS PROHIBITED. IF NECESSARY, CONTRACTOR MAY PROVIDE ADDITIONAL REINFORCING BARS TO SECURELY TIE REINFORCING BARS, EMBEDS, AND ANCHOR RODS.
- LAP SPlice REINFORCING BARS 48 BAR DIAMETERS UNLESS NOTED OTHERWISE.
- BAR CLEARANCES BETWEEN ADJACENT BARS AND FORMWORK SHALL BE AS NOTED ON THE DRAWINGS OR A MINIMUM AS PER ACI REQUIREMENTS.
- AT CORNERS AND INTERSECTIONS OF FOOTINGS PROVIDE BENT BARS OF EQUAL SIZE AND AT SAME SPACING AS TYPICAL REINFORCING AROUND CORNERS AND INTO ADJACENT WALL OR GRADE BEAM. BARS SHALL HAVE EMBEDMENT OF 30 BAR DIAMETERS (18" MINIMUM).
- MACHINE TROWEL FINISH FLOOR SLAB AND CURE USING A METHOD RECOMMENDED BY ACI 302.1R (GUIDE FOR CONCRETE FLOOR AND SLAB CONSTRUCTION) INCLUDING WATER CURING, WET COVERING, APPLICATION OF IMPERVIOUS SHEETING OR APPLICATION OF "CURE AND SEAL" TYPE CURING COMPOUND MEETING ASTM C-1315. FOR APPLICATIONS EXPOSED TO SUNLIGHT USE CLASS A (NON-YELLOWING) CURING COMPOUND. COORDINATE CURING METHOD WITH ARCHITECTURAL FLOOR FINISHES THAT REQUIRE ADHESION TO THE SLAB (SUCH AS TILE) TO INSURE PROPER BOND.
- FLOOR SLAB-ON-GRADE SHALL CONFORM TO THE FOLLOWING SURFACE PROFILE TOLERANCES PER ASTM E-1155 AND ACI 117:

A. SPECIFIED OVERALL VALUE: 25 / 20
B. MINIMUM LOCAL VALUE: 18 / 13
C. MAXIMUM GAP UNDER 10 FT. UNLEVELLED STRAIGHTEDGE = 1/4".
- SEE ARCHITECTURAL DRAWINGS AND SPECIFICATIONS FOR VAPOR BARRIER REQUIREMENTS. VAPOR BARRIER, WHERE REQUIRED, SHALL BE PLACED OVER COMPACTED GRANULAR SUBBASE.
- AT SLAB AND WALL OPENING CORNERS AND REENTRANT CORNERS, PROVIDE (1) #5 BAR IN EACH FACE PARALLEL TO EACH EDGE EXTENDING A MINIMUM OF 2'-0" PAST EDGE OF OPENING. THIS STEEL MAY BE OMITTED IF TYPICAL REINFORCING STEEL EXCEEDS THIS MINIMUM REQUIREMENT.
- REINFORCE ALL INTERIOR SLABS ON GROUND WITH 6#6-W2-XW2.9 (42#) MESH, LOCATE MESH 2" CLEAR BELOW TOP OF SLAB.
- FINISH OF CONCRETE HANDICAP RAMPS TO CONFORM TO THE REQUIREMENTS OF THE AMERICANS WITH DISABILITIES ACT (ADA). COORDINATE LOCATION AND PATTERN WITH ARCHITECTURAL DRAWINGS.
- CONTROL JOINTS IN SLABS ON GROUND SHALL BE LOCATED AT 12'-0" MAXIMUM SPACING AND SHALL CREATE SECTIONS OF SLAB WITH A MAXIMUM ASPECT RATIO OF 1 1/2 TO 1. CONTROL JOINTS SHALL BE SAWN AND SHALL BE A MINIMUM OF 1/4 OF THE SLAB THICKNESS DEEP. THE CONTROL JOINT SHALL BE SAWN AS SOON AS THE SAW BLADE CAN CUT THE CONCRETE WITHOUT DISPLACING THE AGGREGATE. CUT EVERY OTHER MESH WIRE AT THE CONTROL JOINT LOCATION PRIOR TO PLACING CONCRETE. IF AN EARLY CUTTING SAW IS USED AND A SHALLOWER DEPTH OF THE CUT IS DESIRED, CONTACT THE ENGINEER IN ADVANCE FOR APPROVAL.
- CONSTRUCTION JOINTS IN SLABS ON GROUND MAY BE LOCATED AT ANY CONTROL JOINT LOCATION. CONSTRUCTION JOINTS SHALL HAVE A KEY FORMED AT MID-DEPTH OF THE FIRST CAST SECTION. THE KEY SHALL BE 1" DEEP AND SHALL BE 1/3 OF THE SLAB THICKNESS HIGH. THE TOP AND BOTTOM OF THE KEY SHALL HAVE 1 VERTICAL TO 3 HORIZONTAL SLOPE.
- FINISHED GRADE SHALL SLOPE AWAY FROM THE PERIMETER FOUNDATION.

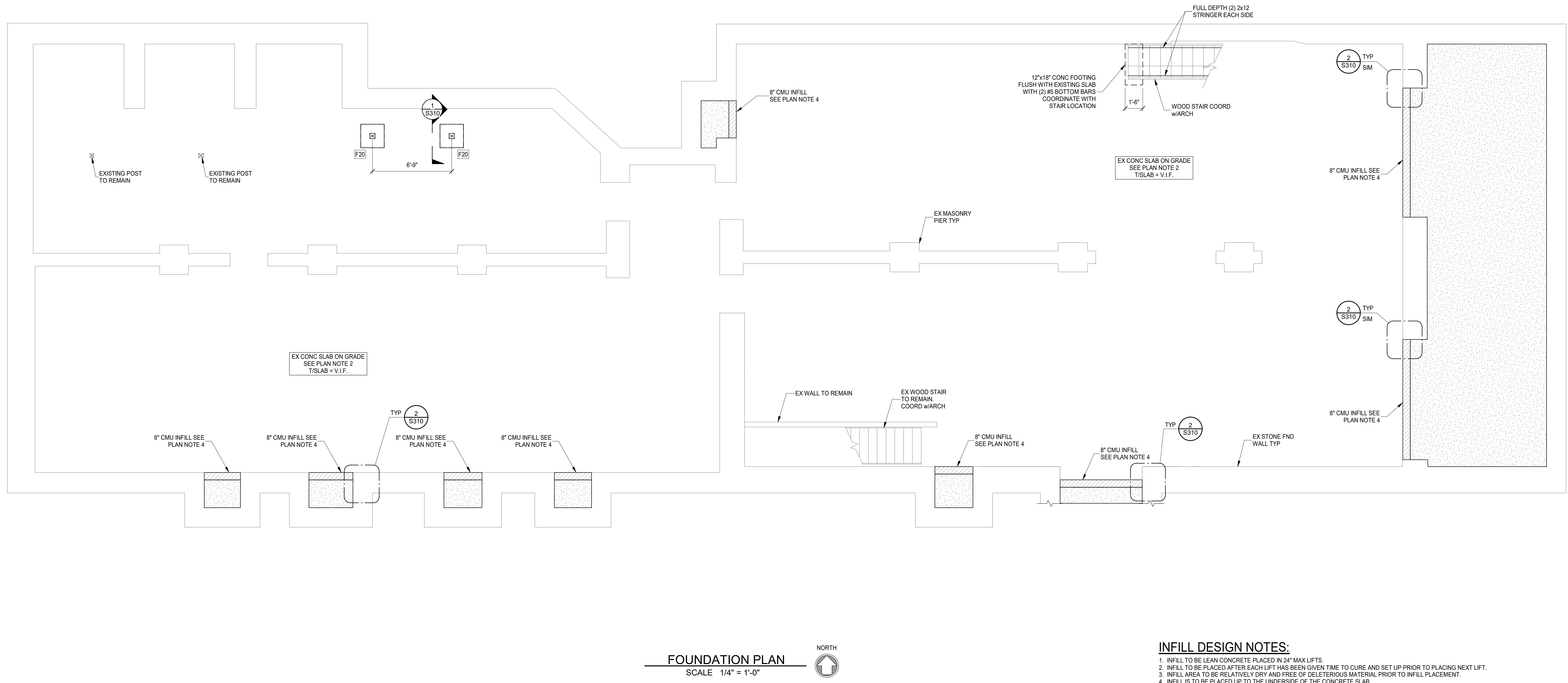
- CONCRETE MIX DESIGNS SHALL BE SUBMITTED FOR EACH TYPE OF CONCRETE TO THE STRUCTURAL ENGINEER FOR APPROVAL IN ACCORDANCE WITH ACI 301 SECTION 4.2.3.4 FIELD TEST DATA OR TRIAL MIXTURES.
- SUBMIT SHOP DRAWINGS OF REINFORCING STEEL.
- MATERIALS (ALSO SEE CONCRETE MIX SCHEDULE):
 - REINFORCING STEEL: ASTM A615 OR ASTM 996 (AXLE ONLY) 60 KSI YIELD DEFORMED BARS AND ASTM A1064 MESH, SLAT SHEETS ONLY.
 - FLY ASH: ASTM C618, TYPE F OR C. FLY ASH-TOTAL CEMENTITIOUS RATIO SHALL NOT EXCEED 25% MAXIMUM.
 - GROUND GRANULATED BLAST FURNACE SLAG: ASTM C989. TOTAL GROUND GRANULATED BLAST FURNACE SLAG-TOTAL CEMENTITIOUS RATIO SHALL NOT EXCEED 50% MAXIMUM.
 - HIGH RANGE WATER REDUCER (HRWR) ADMIXTURE: ASTM C494.
 - CHLORIDE CONTENT OF CONCRETE: LIMIT TOTAL CHLORIDE ION CONTENT TO AMOUNT INDICATED IN TABLE 4.2.2.6 OF ACI 318. ADMIXTURES CONTAINING CHLORIDE ARE NOT PERMITTED IN REINFORCED CONCRETE OR CONCRETE CONTAINING METALS.
- CONCRETE MIX SCHEDULE:

Application	f_c @ 28 days (psi)	Air Content ¹ (%)	Max w/c ratio ²	Max Agg. Size ³ (in)	F Class	S Class	W Class	C Class
Footings & Drilled Piers	3000	N/A	0.55	3/4	F0	S0	W0	C0
Interior Floor Slab on Grade ⁴	4000	N/a	0.5	3/4	F0	S0	W0	C0
Exterior Flatwork (Plain Concrete)	4500	6% ± 1.5%	0.45	3/4	F3	S0	W1	C1

[1] - Where 3/8" maximum aggregate is preferred, adjust air entrainment to 7.5% ± 1.5% (if required).
[2] - Where air entrainment is not required by design, the contractor/supplier may choose to include air entrainment to improve placement or finish characteristics. Air entrainment is not permitted in normal weight concrete to receive a hard trowel finish and entrapped air shall not exceed 3%.
[3] - $f_c = 1800$ psi @ 3 days.
[4] - Where 3/8" maximum aggregate is preferred, adjust air entrainment to 7.5% ± 1.5% (if required).
- SLUMP SHALL BE MEASURED PRIOR TO THE ADDITION OF HRWR.
- ALL REINFORCING BARS, EMBEDS, AND ANCHOR RODS SHALL BE PLACED WITHIN THE REQUIRED TOLERANCES AND SUPPORTED TO PREVENT DISPLACEMENT DURING CONCRETE PLACEMENT. WORKING REINFORCING BARS, EMBEDS, AND ANCHOR RODS INTO WET CONCRETE (KNOWN AS "WET STICKING") IS PROHIBITED. IF NECESSARY, CONTRACTOR MAY PROVIDE ADDITIONAL REINFORCING BARS TO SECURELY TIE REINFORCING BARS, EMBEDS, AND ANCHOR RODS.
- LAP SPlice REINFORCING BARS 48 BAR DIAMETERS UNLESS NOTED OTHERWISE.
- BAR CLEARANCES BETWEEN ADJACENT BARS AND FORMWORK SHALL BE AS NOTED ON THE DRAWINGS OR A MINIMUM AS PER ACI REQUIREMENTS.
- AT CORNERS AND INTERSECTIONS OF FOOTINGS PROVIDE BENT BARS OF EQUAL SIZE AND AT SAME SPACING AS TYPICAL REINFORCING AROUND CORNERS AND INTO ADJACENT WALL OR GRADE BEAM. BARS SHALL HAVE EMBEDMENT OF 30 BAR DIAMETERS (18" MINIMUM).
- MACHINE TROWEL FINISH FLOOR SLAB AND CURE USING A METHOD RECOMMENDED BY ACI 302.1R (GUIDE FOR CONCRETE FLOOR AND SLAB CONSTRUCTION) INCLUDING WATER CURING, WET COVERING, APPLICATION OF IMPERVIOUS SHEETING OR APPLICATION OF "CURE AND SEAL" TYPE CURING COMPOUND MEETING ASTM C-1315. FOR APPLICATIONS EXPOSED TO SUNLIGHT USE CLASS A (NON-YELLOWING) CURING COMPOUND. COORDINATE CURING METHOD WITH ARCHITECTURAL FLOOR FINISHES THAT REQUIRE ADHESION TO THE SLAB (SUCH AS TILE) TO INSURE PROPER BOND.
- FLOOR SLAB-ON-GRADE SHALL CONFORM TO THE FOLLOWING SURFACE PROFILE TOLERANCES PER ASTM E-1155 AND ACI 117:

A. SPECIFIED OVERALL VALUE: 25 / 20
B. MINIMUM LOCAL VALUE: 18 / 13
C. MAXIMUM GAP UNDER 10 FT. UNLEVELLED STRAIGHTEDGE = 1/4".
- SEE ARCHITECTURAL DRAWINGS AND SPECIFICATIONS FOR VAPOR BARRIER REQUIREMENTS. VAPOR BARRIER, WHERE REQUIRED, SHALL BE PLACED OVER COMPACTED GRANULAR SUBBASE.
- AT SLAB AND WALL OPENING CORNERS AND REENTRANT CORNERS, PROVIDE (1) #5 BAR IN EACH FACE PARALLEL TO EACH EDGE EXTENDING A MINIMUM OF 2'-0" PAST EDGE OF OPENING. THIS STEEL MAY BE OMITTED IF TYPICAL REINFORCING STEEL EXCEEDS THIS MINIMUM REQUIREMENT.
- REINFORCE ALL INTERIOR SLABS ON GROUND WITH 6

This document and the ideas and designs incorporated herein, as an instrument of professional service, is the property of Advantage Group Engineers, Inc. and is not to be used, in whole or in part, for any other project, without the written authorization of Advantage Group Engineers, Inc. Copyright 2023. Advantage Group Engineers, Inc. All rights reserved.



FOUNDATION PLAN
SCALE 1/4" = 1'-0" NORTH

- INFILL DESIGN NOTES:**
1. INFILL TO BE LEAN CONCRETE PLACED IN 24" MAX LIFTS.
 2. INFILL TO BE PLACED AFTER EACH LIFT HAS BEEN GIVEN TIME TO CURE AND SET UP PRIOR TO PLACING NEXT LIFT.
 3. INFILL AREA TO BE RELATIVELY DRY AND FREE OF DELETERIOUS MATERIAL PRIOR TO INFILL PLACEMENT.
 4. INFILL IS TO BE PLACED UP TO THE UNDERSIDE OF THE CONCRETE SLAB.
 5. VERIFY INFILL DESIGN PARAMETERS WITH DOT REQUIREMENTS COORD W/O.R. FOR DISCREPANCIES WITH STATED REQUIREMENTS.

- PLAN NOTES:**
1. COORDINATE ALL DIMENSIONS, DOOR AND WINDOW LOCATIONS WITH ARCHITECTURAL DRAWINGS.
 2. FIELD VERIFY PRESENCE / CONDITION OF EXISTING CONCRETE SLAB DEMO AND REPLACE SLAB WHERE COMPROMISED WITH 4" CONCRETE SLAB ON GRADE WITH W.W.F. 6x6xW2.9xW2.9 42# MESH CENTERED ON CHAIRS IN SLAB. TISLAB = MATCH EXISTING. LOCATE CONTROL JOINTS AT 12'-0" MAX.
 3. TUCK POINT OPEN JOINTS IN FOUNDATION AS REQUIRED. RESET STONE IN FND WALL WHERE MISSING OR LOOSE.
 4. SEE PLAN DETAIL 2 ON S310 FOR TYPICAL WALL DETAILS AT 8" CMU INFILL WALL. REINFORCE WALL WITH #5 VERT @32" O.C. AND HORIZ BOND BEAMS WITH (2) #5s AT 24" O.C. GROUT ENTIRE WALL SOLID. SEE INFILL DESIGN NOTES FOR INFILL PROCEDURE. INFILL MUST BE PLACED IN LIFTS AND ALLOWED TO CURE BETWEEN LIFTS TO PREVENT FAILURE OF THE INFILL WALL.

FOOTING SCHEDULE		
MARK	DESCRIPTION	T/FTG
F20	2'-0"x2'-0"x1'-0" CONC FOOTING w/(2) #5's EACH WAY BOTTOM	MATCH EXISTING

NOT FOR CONSTRUCTION

CITYSTUDIOS
ARCHITECTURE
1148 Main Street
Cincinnati, OH 45202
ph. 513.621.0750
citystudiosarch.com

advantage
STRUCTURAL ENGINEERS
1527 Madison Road
Cincinnati, OH 45206
513.396.8900
www.advantageSE.com

PREPARED FOR: CITY STUDIOS ARCHITECTURE
RUSS ALLEY
1623 - 1625 VINE STREET, 1624 REPUBLIC STREET
(1625 VINE HPTC APPLICATION)
CINCINNATI, OH 45202

3CDC CINCINNATI CENTER CITY DEVELOPMENT CORPORATION

#	Revision/Submission	Date
	Issue for Permit	06.02.2023
	CHFA PRELIM. SUBMISSION	09.21.2023

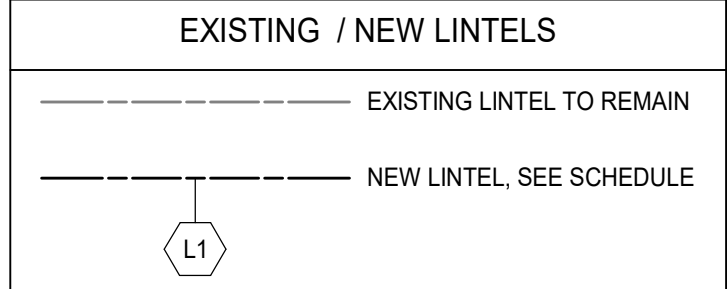
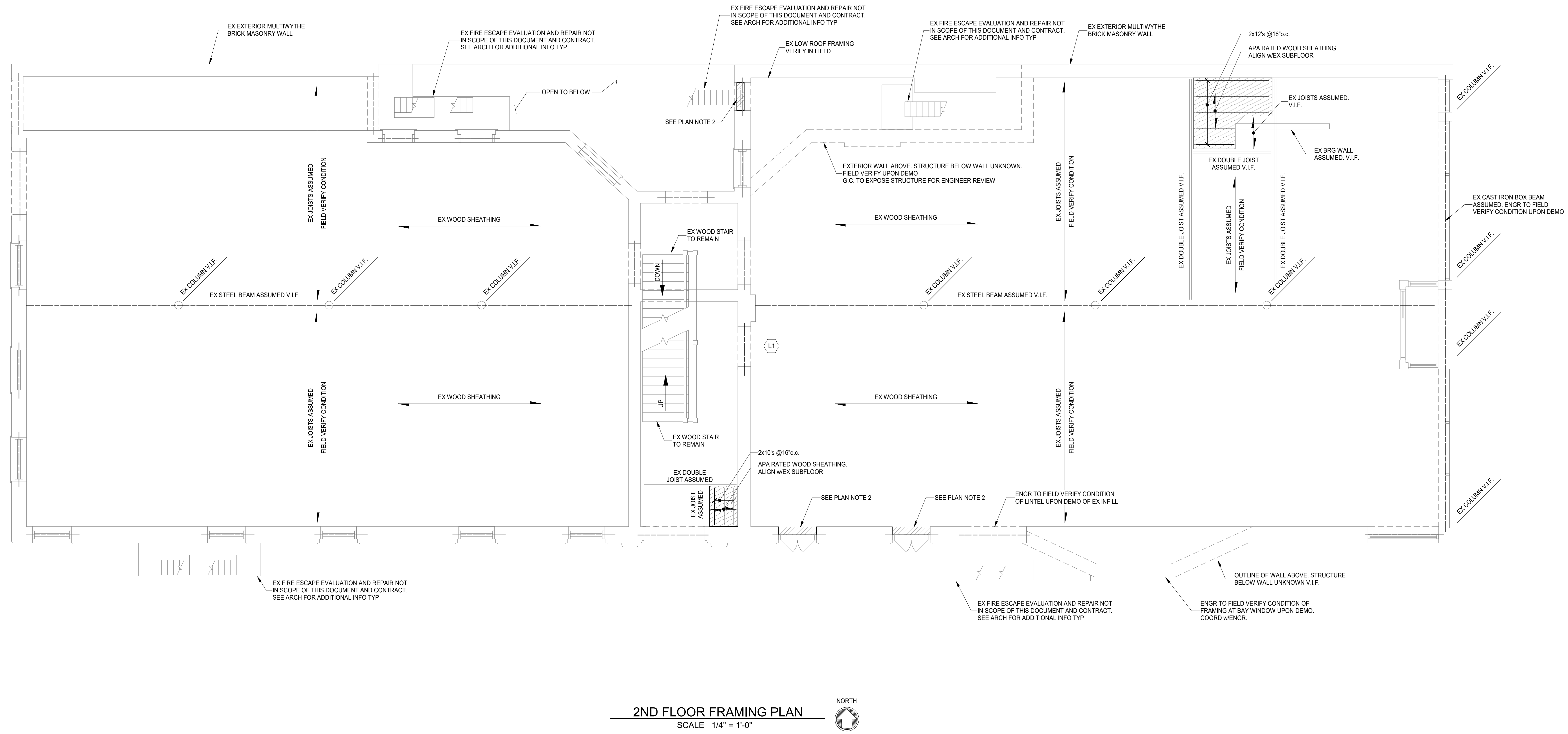
#	Revision/Submission	Date

Project Number: 23188.06
Design Team: NFB / SJ
FOUNDATION PLAN

S100

STRUCTURAL INFORMATION NOTED IS BASED ON ASSUMPTIONS OF CONDITION OF EXISTING FRAMING & FRAMING HIDDEN FROM VISUAL OBSERVATION. DETAILS OF PROPOSED FRAMING MODIFICATION/REPAIRS ARE SUBJECT TO CHANGE ONCE DEMOLITION IS UNDERWAY

This document and the ideas and designs incorporated herein, as an instrument of professional service, is the property of Advantage Group Engineers, Inc. and is not to be used, in whole or in part, for any other project, without the written authorization of Advantage Group Engineers, Inc. Copyright 2023. Advantage Group Engineers, Inc. All rights reserved.



LINTEL SCHEDULE		
MARK	SIZE	MIN BRG
L1	(1) 1.5x3 1/2"x5/16" LLV PER 4" WYTHE OF MASONRY SUPPORTED	8" MIN

- PLAN NOTES:**
- COORDINATE ALL DIMENSIONS, DOOR AND WINDOW LOCATIONS WITH ARCHITECTURAL DRAWINGS.
 - RECESSED BRICK MASONRY INFILL AT EXISTING OPENING. COORDINATE WITH ARCHITECT FOR RECESSED DIMENSIONS EACH FACE.
 - EXISTING JOISTS NOT VISIBLE DURING SITE VISIT DUE TO THE PRESENCE OF AN EXISTING HARD CEILING AND LIMITED UNITS AVAILABLE FOR ACCESS DURING THE DESIGN PHASE. FIELD VERIFY THE CONDITIONS OF ALL CONCEALED STRUCTURAL MEMBERS DURING CONSTRUCTION. COORD WITH ARCH DEMO PLANS AND EXTENT OF DEMO.

STRUCTURAL INFORMATION NOTED IS BASED ON ASSUMPTIONS OF CONDITION OF EXISTING FRAMING & FRAMING HIDDEN FROM VISUAL OBSERVATION. DETAILS OF PROPOSED FRAMING MODIFICATION/REPAIRS ARE SUBJECT TO CHANGE ONCE DEMOLITION IS UNDERWAY

NOT FOR CONSTRUCTION

CITYSTUDIOS
ARCHITECTURE
1148 Main Street
Cincinnati, OH 45202
ph. 513.621.0750
citystudiosarch.com

advantage
STRUCTURAL ENGINEERS
1527 Madison Road
Cincinnati, OH 45206
513.396.8900
www.advantageSE.com

PREPARED FOR: CITY STUDIOS ARCHITECTURE
RUSS ALLEY
1623 - 1625 VINE STREET, 1624 REPUBLIC STREET
(1625 VINE HPTC APPLICATION)
CINCINNATI, OH 45202

3CDC CINCINNATI CENTER CITY DEVELOPMENT CORPORATION

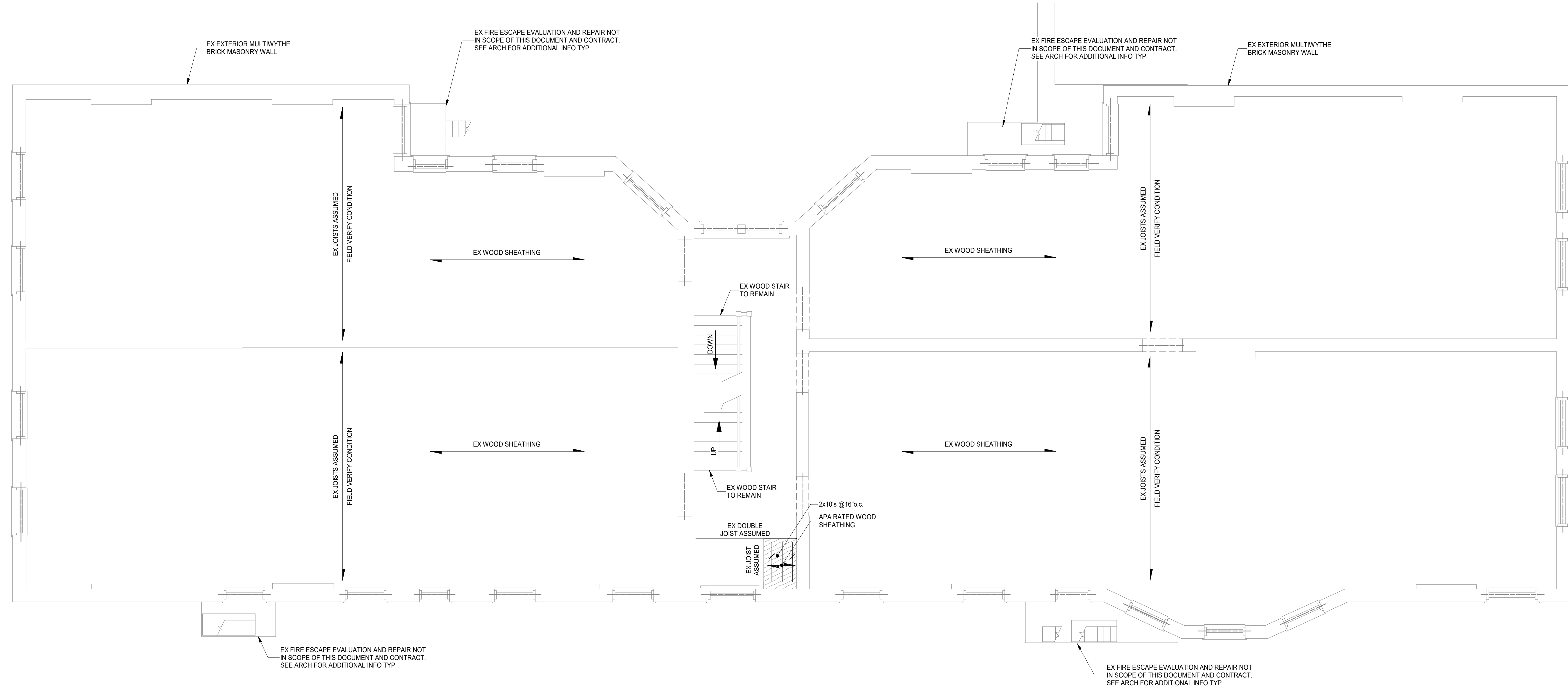
#	Revision/Submission	Date
	Issue for Permit	06.02.2023
	OHFA PRELIM. SUBMISSION	09.21.2023

Project Number: 23188.06
Design Team: NFB / SJ

2ND FLOOR FRAMING PLAN

S120

This document and the ideas and design incorporated herein, as an instrument of professional service, is the property of Advantage Group Engineers, Inc. and is not to be used, in whole or in part, for any other project, without the written authorization of Advantage Group Engineers, Inc. Copyright 2023. Advantage Group Engineers, Inc. All rights reserved.



4TH FLOOR FRAMING PLAN
SCALE 1/4" = 1'-0"

EXISTING / NEW LINTELS	
	EXISTING LINTEL TO REMAIN
	NEW LINTEL, SEE SCHEDULE

PLAN NOTES:

- COORDINATE ALL DIMENSIONS, DOOR AND WINDOW LOCATIONS WITH ARCHITECTURAL DRAWINGS.
- RECESSED BRICK MASONRY INFILL AT EXISTING OPENING. COORDINATE WITH ARCHITECT FOR RECESSED DIMENSIONS EACH FACE.
- EXISTING JOISTS NOT VISIBLE DURING SITE VISIT DUE TO THE PRESENCE OF AN EXISTING HARD CEILING AND LIMITED UNITS AVAILABLE FOR ACCESS DURING THE DESIGN PHASE. FIELD VERIFY THE CONDITIONS OF ALL CONCEALED STRUCTURAL MEMBERS DURING CONSTRUCTION. COORD WITH ARCH DEMO PLANS AND EXTENT OF DEMO.

NOT FOR CONSTRUCTION

CITY STUDIOS
ARCHITECTURE
1148 Main Street
Cincinnati, OH 45202
ph. 513.621.0750
citystudiosarch.com

advantage
STRUCTURAL ENGINEERS
1527 Madison Road
Cincinnati, OH 45206
513.396.8900
www.advantageSE.com

PREPARED FOR: CITY STUDIOS ARCHITECTURE
RUSS ALLEY
1623 - 1625 VINE STREET, 1624 REPUBLIC STREET
(1625 VINE HPTC APPLICATION)
CINCINNATI, OH 45202

3CDC CINCINNATI CENTER CITY DEVELOPMENT CORPORATION

#	Revision/Submission	Date
	Issue for Permit	06.02.2023
	CHFA PRELIM. SUBMISSION	09.21.2023

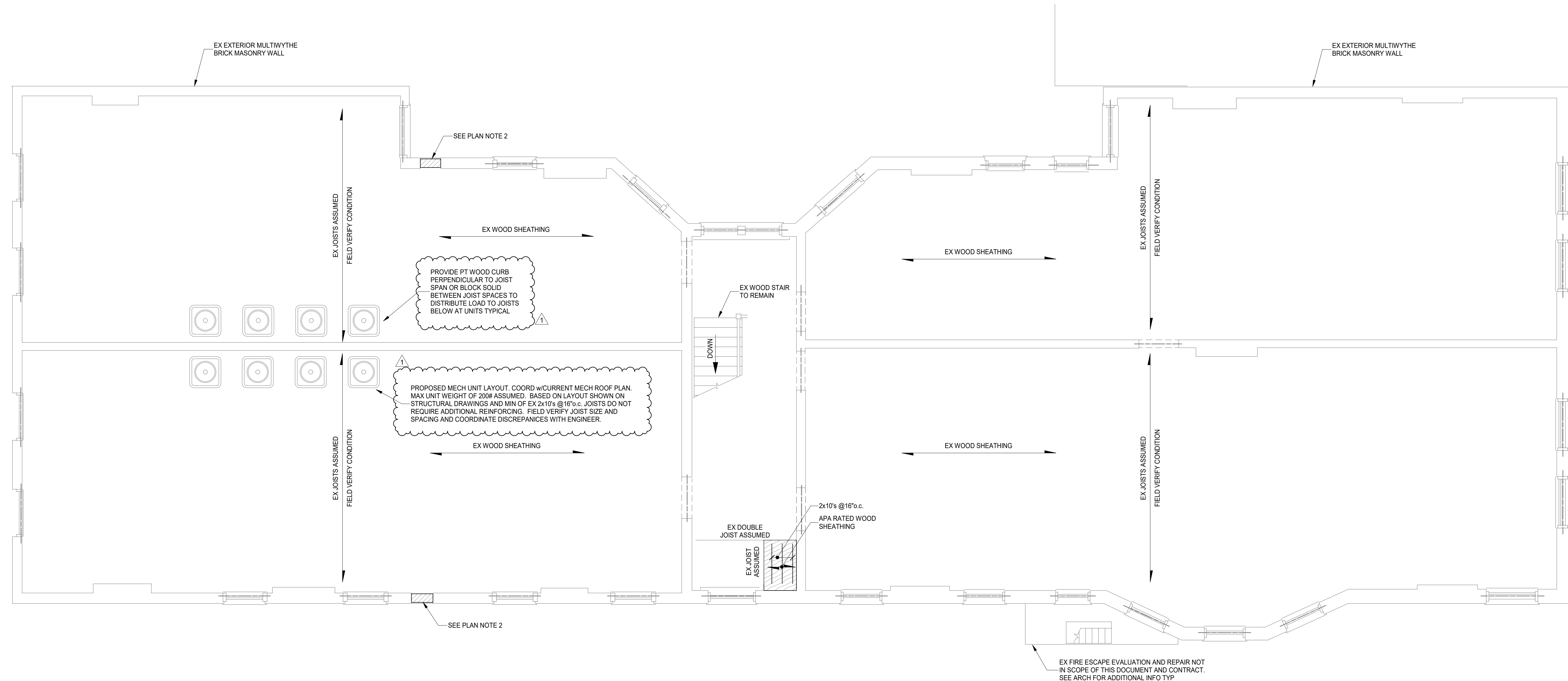
Project Number: 23188.06
Design Team: NFB / SJ

4TH FLOOR FRAMING PLAN

S140

STRUCTURAL INFORMATION NOTED IS BASED ON ASSUMPTIONS OF CONDITION OF EXISTING FRAMING & FRAMING HIDDEN FROM VISUAL OBSERVATION. DETAILS OF PROPOSED FRAMING MODIFICATION/REPAIRS ARE SUBJECT TO CHANGE ONCE DEMOLITION IS UNDERWAY

This document and the ideas and designs incorporated herein, as an instrument of professional service, is the property of Advantage Group Engineers, Inc. and is not to be used, in whole or in part, for any other project, without the written authorization of Advantage Group Engineers, Inc. Copyright 2023. Advantage Group Engineers, Inc. All rights reserved.



5TH FLOOR FRAMING PLAN
SCALE 1/4" = 1'-0"



EXISTING / NEW LINTELS	
	EXISTING LINTEL TO REMAIN
	NEW LINTEL, SEE SCHEDULE

- PLAN NOTES:**
- COORDINATE ALL DIMENSIONS, DOOR AND WINDOW LOCATIONS WITH ARCHITECTURAL DRAWINGS.
 - RECESSED BRICK MASONRY INFILL AT EXISTING OPENING. COORDINATE WITH ARCHITECT FOR RECESSED DIMENSIONS EACH FACE.
 - EXISTING JOISTS NOT VISIBLE DURING SITE VISIT DUE TO THE PRESENCE OF AN EXISTING HARD CEILING AND LIMITED UNITS AVAILABLE FOR ACCESS DURING THE DESIGN PHASE. FIELD VERIFY THE CONDITIONS OF ALL CONCEALED STRUCTURAL MEMBERS DURING CONSTRUCTION. COORD WITH ARCH DEMO PLANS AND EXTENT OF DEMO.
 - COORD MECHANICAL EQUIPMENT SIZE, QUANTITY AND LOCATION WITH MECHANICAL DRAWINGS. COORD WITH ENGINEER FOR REINFORCING AT UNITS NOT COORDINATED WITH THIS PLAN.

STRUCTURAL INFORMATION NOTED IS BASED ON ASSUMPTIONS OF CONDITION OF EXISTING FRAMING & FRAMING HIDDEN FROM VISUAL OBSERVATION. DETAILS OF PROPOSED FRAMING MODIFICATION/REPAIRS ARE SUBJECT TO CHANGE ONCE DEMOLITION IS UNDERWAY

NOT FOR CONSTRUCTION

CITYSTUDIOS
ARCHITECTURE
1148 Main Street
Cincinnati, OH 45202
ph. 513.621.0750
citystudiosarch.com

advantage
STRUCTURAL ENGINEERS
1527 Madison Road
Cincinnati, OH 45206
513.396.8900
www.advantageSE.com

PREPARED FOR: CITY STUDIOS ARCHITECTURE
RUSS ALLEY
1623 - 1625 VINE STREET, 1624 REPUBLIC STREET
(1625 VINE HPTC APPLICATION)
CINCINNATI, OH 45202

3CDC CINCINNATI CENTER CITY DEVELOPMENT CORPORATION

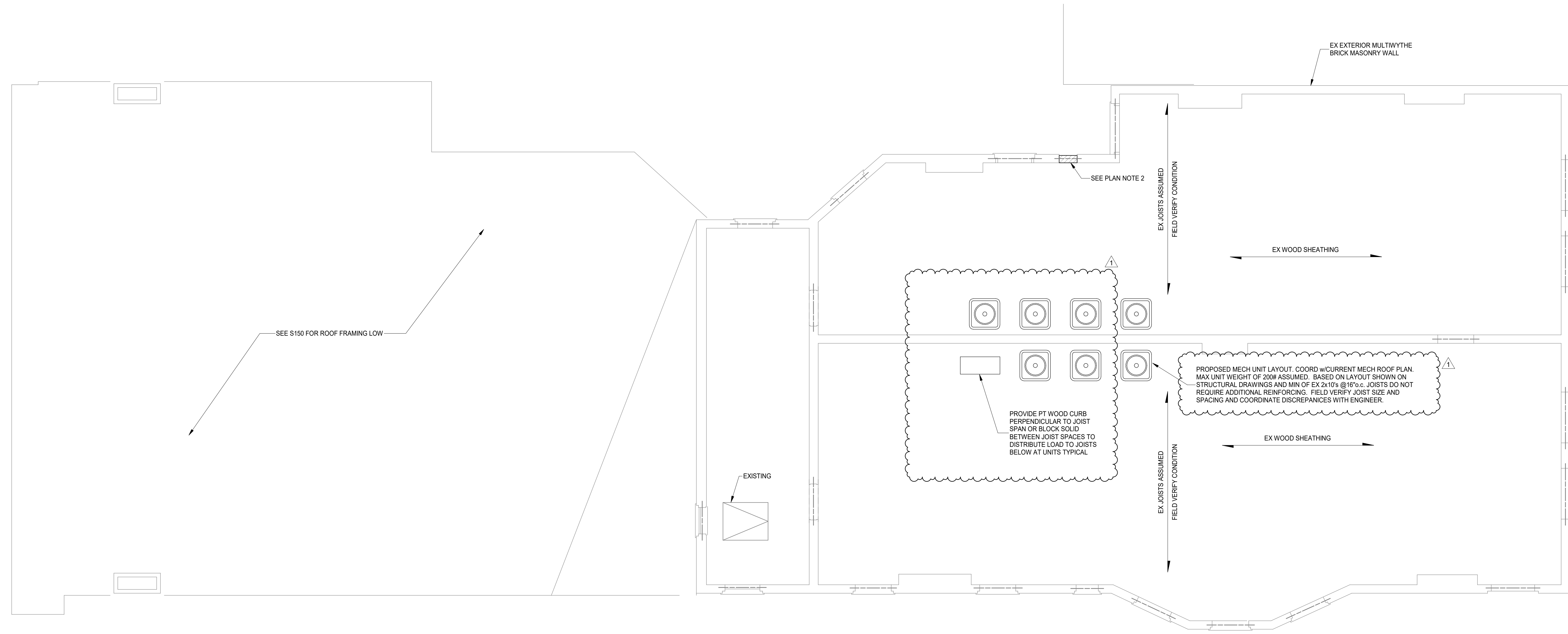
#	Revision/Submission	Date
	PERMIT	06.02.2023
1	PERMIT REVISION 1	07.14.2023
	CHFA PRELIM. SUBMISSION	09.21.2023

Project Number: 23188.06
Design Team: NFB / SJ

5TH FLOOR FRAMING PLAN

S150

This document and the ideas and designs incorporated herein, as an instrument of professional service, is the property of Advantage Group Engineers, Inc. and is not to be used, in whole or in part, for any other project, without the written authorization of Advantage Group Engineers, Inc. Copyright 2023. Advantage Group Engineers, Inc. All rights reserved.



SEE S150 FOR ROOF FRAMING LOW

SEE PLAN NOTE 2

EX EXTERIOR MULTIMYTHE BRICK MASONRY WALL

EX WOOD SHEATHING

EXISTING

PROVIDE PT WOOD CURB PERPENDICULAR TO JOIST SPAN OR BLOCK SOLID BETWEEN JOIST SPACES TO DISTRIBUTE LOAD TO JOISTS BELOW AT UNITS TYPICAL

PROPOSED MECH UNIT LAYOUT. COORD W/ CURRENT MECH ROOF PLAN. MAX UNIT WEIGHT OF 200# ASSUMED. BASED ON LAYOUT SHOWN ON STRUCTURAL DRAWINGS AND MIN OF EX 2x10's @ 16" o.c. JOISTS DO NOT REQUIRE ADDITIONAL REINFORCING. FIELD VERIFY JOIST SIZE AND SPACING AND COORDINATE DISCREPANCIES WITH ENGINEER.

EX WOOD SHEATHING

EX JOISTS ASSUMED FIELD VERIFY CONDITION

ROOF FRAMING PLAN
SCALE 1/4" = 1'-0"



EXISTING / NEW LINTELS	
---	EXISTING LINTEL TO REMAIN
---	NEW LINTEL, SEE SCHEDULE
LI	

- PLAN NOTES:**
- COORDINATE ALL DIMENSIONS, DOOR AND WINDOW LOCATIONS WITH ARCHITECTURAL DRAWINGS.
 - RECESSED BRICK MASONRY INFILL AT EXISTING OPENING. COORDINATE WITH ARCHITECT FOR RECESSED DIMENSIONS EACH FACE.
 - EXISTING JOISTS NOT VISIBLE DURING SITE VISIT DUE TO THE PRESENCE OF AN EXISTING HARD CEILING AND LIMITED UNITS AVAILABLE FOR ACCESS DURING THE DESIGN PHASE. FIELD VERIFY THE CONDITIONS OF ALL CONCEALED STRUCTURAL MEMBERS DURING CONSTRUCTION. COORD WITH ARCH DEMO PLANS AND EXTENT OF DEMO.
 - COORD MECHANICAL EQUIPMENT SIZE, QUANTITY AND LOCATION WITH MECHANICAL DRAWINGS. COORD WITH ENGINEER FOR REINFORCING AT UNITS NOT COORDINATED WITH THIS PLAN.

NOT FOR CONSTRUCTION

CITYSTUDIOS
ARCHITECTURE
1148 Main Street
Cincinnati, OH 45202
ph. 513.621.0750
citystudiosarch.com

advantage
STRUCTURAL ENGINEERS
1527 Madison Road
Cincinnati, OH 45206
513.396.8900
www.advantageSE.com

PREPARED FOR: CITY STUDIOS ARCHITECTURE
RUSS ALLEY
1623 - 1625 VINE STREET, 1624 REPUBLIC STREET
(1625 VINE HPTC APPLICATION)
CINCINNATI, OH 45202

3CDC CINCINNATI CENTER CITY DEVELOPMENT CORPORATION

#	Revision/Submission	Date
	PERMIT	06.02.2023
1	PERMIT REVISION 1	07.14.2023
	CHFA PRELIM. SUBMISSION	09.21.2023

Project Number: 23188.06
Design Team: NFB / SJ

ROOF FRAMING PLAN

S160

STRUCTURAL INFORMATION NOTED IS BASED ON ASSUMPTIONS OF CONDITION OF EXISTING FRAMING & FRAMING HIDDEN FROM VISUAL OBSERVATION. DETAILS OF PROPOSED FRAMING MODIFICATION/REPAIRS ARE SUBJECT TO CHANGE ONCE DEMOLITION IS UNDERWAY

NOT FOR CONSTRUCTION

CITYSTUDIOS ARCHITECTURE
1148 Main Street
Cincinnati, OH 45202
ph. 513.621.0750
citystudiosarch.com

advantage STRUCTURAL ENGINEERS
1527 Madison Road
Cincinnati, OH 45206
513.396.8900
www.advantageSE.com

PREPARED FOR: CITY STUDIOS ARCHITECTURE
RUSS ALLEY
1623 - 1625 VINE STREET, 1624 REPUBLIC STREET
(1625 VINE HPTC APPLICATION)
CINCINNATI, OH 45202

3CDC CENTER CITY DEVELOPMENT CORPORATION

#	Revision/Submission	Date
	Issue for Permit	06.02.2023
	CHFA PRELIM. SUBMISSION	09.21.2023

Project Number: 23188.06
Design Team: NFB / SJ
ELEVATIONS

S200







NORTH ELEVATION
SCALE 1/4" = 1'-0"

ELEVATION NOTES:

1. TUCKPOINT JOINTS IN MASONRY WHERE MORTAR IS SOFT, DAMAGED OR MISSING.
2. REMOVE AND REPLACE SPALLING OR SOFT BRICK THAT IS COMPROMISED MORE THAN 3/4" OF DEPTH.
3. REMOVE CRACKED, DAMAGED OR SEVERLY SPALLED LINTELS AND REPLACE WITH RECLAIMED STONE OR CAST STONE LINTEL TO MATCH EXISTING.
4. ALL OBSERVATIONS WERE MADE FROM THE GROUND LEVEL AND REPAIRS ARE SUBJECT TO CHANGE BASED ON CONTRACTOR HANDS ON INSPECTIONS.
5. AT CRACKS OR DAMAGED AREAS OF PARGE COAT, CONTRACTOR SHALL REMOVE ALL PARGE COAT THAT IS NOT SOUNDLY CONNECTED TO THE BRICK, AND REPLACE WITH NEW PARGE COAT. TUCKPOINT ANY DETERIORATED MORTAR JOINTS PRIOR TO APPLYING NEW PARGE COAT.
6. ALL EXTERIOR MASONRY REPAIR ELEVATIONS ARE FOR REFERENCE AND BIDDING PURPOSES. CONTRACTOR IS RESPONSIBLE FOR EVALUATING CONDITION OF MASONRY IN FIELD AND COORDINATING SCOPE OF REPAIR WITH ARCHITECT.

BRICK REPAIR LEGEND:

-  TUCKPOINT
-  REPLACE BRICK
-  REPAIR BRICK
-  NEW MASONRY

STRUCTURAL INFORMATION NOTED IS BASED ON ASSUMPTIONS OF CONDITION OF EXISTING FRAMING & FRAMING HIDDEN FROM VISUAL OBSERVATION. DETAILS OF PROPOSED FRAMING MODIFICATION/REPAIRS ARE SUBJECT TO CHANGE ONCE DEMOLITION IS UNDERWAY

This document and the ideas and designs incorporated herein, as an instrument of professional service, is the property of Advantage Group Engineers, Inc. and is not to be used, in whole or in part, for any other project, without the written authorization of Advantage Group Engineers, Inc. Copyright 2023. Advantage Group Engineers, Inc. All rights reserved.

This document and the ideas and designs incorporated herein, as an instrument of professional service, is the property of Advantage Group Engineers, Inc. and is not to be used, in whole or in part, for any other project, without the written authorization of Advantage Group Engineers, Inc. Copyright 2023. Advantage Group Engineers, Inc. All rights reserved.



WEST ELEVATION
SCALE 1/4" = 1'-0"







EAST ELEVATION
SCALE 1/4" = 1'-0"

ELEVATION NOTES:

1. TUCKPOINT JOINTS IN MASONRY WHERE MORTAR IS SOFT, DAMAGED OR MISSING.
2. REMOVE AND REPLACE SPALLING OR SOFT BRICK THAT IS COMPROMISED MORE THAN 3/4" OF DEPTH.
3. REMOVE CRACKED, DAMAGED OR SEVERELY SPALLED LINTELS AND REPLACE WITH RECLAIMED STONE OR CAST STONE LINTEL TO MATCH EXISTING.
4. ALL OBSERVATIONS WERE MADE FROM THE GROUND LEVEL AND REPAIRS ARE SUBJECT TO CHANGE BASED ON CONTRACTOR HANDS ON INSPECTIONS.
5. AT CRACKS OR DAMAGED AREAS OF PARGE COAT, CONTRACTOR SHALL REMOVE ALL PARGE COAT THAT IS NOT SOUNDLY CONNECTED TO THE BRICK, AND REPLACE WITH NEW PARGE COAT. TUCKPOINT ANY DETERIORATED MORTAR JOINTS PRIOR TO APPLYING NEW PARGE COAT.
6. ALL EXTERIOR MASONRY REPAIR ELEVATIONS ARE FOR REFERENCE AND BIDDING PURPOSES. CONTRACTOR IS RESPONSIBLE FOR EVALUATING CONDITION OF MASONRY IN FIELD AND COORDINATING SCOPE OF REPAIR WITH ARCHENGR.

BRICK REPAIR LEGEND:

-  TUCKPOINT
-  REPLACE BRICK
-  REPAIR BRICK
-  NEW MASONRY

STRUCTURAL INFORMATION NOTED IS BASED ON ASSUMPTIONS OF CONDITION OF EXISTING FRAMING & FRAMING HIDDEN FROM VISUAL OBSERVATION. DETAILS OF PROPOSED FRAMING MODIFICATION/REPAIRS ARE SUBJECT TO CHANGE ONCE DEMOLITION IS UNDERWAY

NOT FOR CONSTRUCTION

CITYSTUDIOS
ARCHITECTURE
1148 Main Street
Cincinnati, OH 45202
ph. 513.621.0750
citystudiosarch.com

advantage
STRUCTURAL ENGINEERS
1527 Madison Road
Cincinnati, OH 45206
513.396.8900
www.advantageSE.com

PREPARED FOR: CITY STUDIOS ARCHITECTURE
RUSS ALLEY
1623 - 1625 VINE STREET, 1624 REPUBLIC STREET
(1625 VINE HPTC APPLICATION)
CINCINNATI, OH 45202

3CDC CINCINNATI CENTER CITY DEVELOPMENT CORPORATION

#	Revision/Submission	Date
	Issue for Permit	06.02.2023
	OHFA PRELIM. SUBMISSION	09.21.2023

Project Number: 23188.06
Design Team: NFB / SJ

ELEVATIONS
S201

NOT FOR CONSTRUCTION

CITYSTUDIOS ARCHITECTURE
1148 Main Street
Cincinnati, OH 45202
ph. 513.621.0750
citystudiosarch.com

advantage STRUCTURAL ENGINEERS
1527 Madison Road
Cincinnati, OH 45206
513.396.8900
www.advantageSE.com

PREPARED FOR: CITY STUDIOS ARCHITECTURE
RUSS ALLEY
1623 - 1625 VINE STREET, 1624 REPUBLIC STREET
(1625 VINE HPTC APPLICATION)
CINCINNATI, OH 45202

3CDC CENTER CITY DEVELOPMENT CORPORATION

#	Revision/Submission	Date
	Issue for Permit	06.02.2023
	OHFA PRELIM. SUBMISSION	07.21.2023

Project Number: 23188.06
Design Team: NFB / SJ
ELEVATIONS

S202

STRUCTURAL INFORMATION NOTED IS BASED ON ASSUMPTIONS OF CONDITION OF EXISTING FRAMING & FRAMING HIDDEN FROM VISUAL OBSERVATION. DETAILS OF PROPOSED FRAMING MODIFICATION/REPAIRS ARE SUBJECT TO CHANGE ONCE DEMOLITION IS UNDERWAY



SOUTH ELEVATION
SCALE 1/4" = 1'-0"

ELEVATION NOTES:

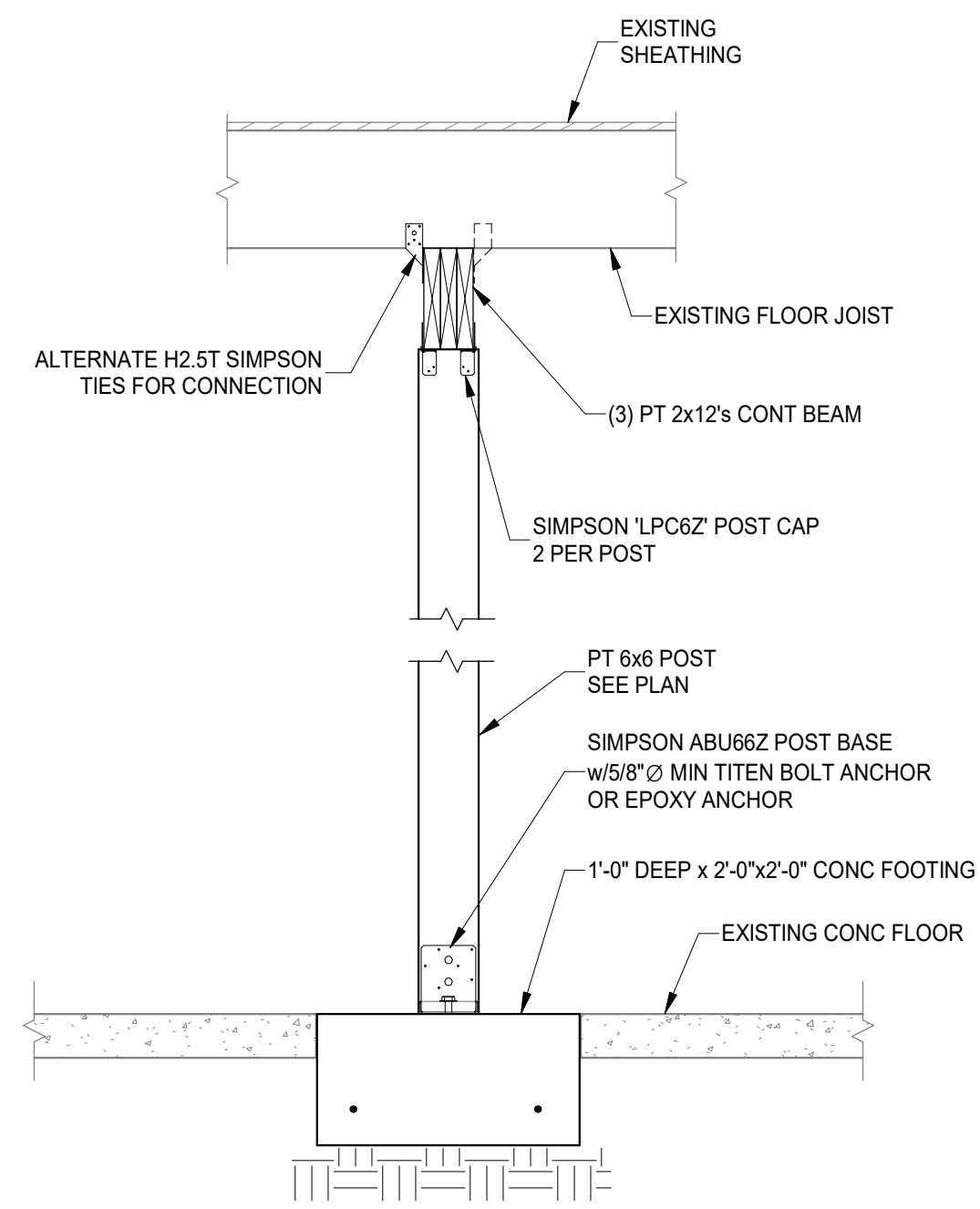
1. TUCKPOINT JOINTS IN MASONRY WHERE MORTAR IS SOFT, DAMAGED OR MISSING.
2. REMOVE AND REPLACE SPALLING OR SOFT BRICK THAT IS COMPROMISED MORE THAN 3/4" OF DEPTH.
3. REMOVE CRACKED, DAMAGED OR SEVERLY SPALLED LINTELS AND REPLACE WITH RECLAIMED STONE OR CAST STONE LINTEL TO MATCH EXISTING.
4. ALL OBSERVATIONS WERE MADE FROM THE GROUND LEVEL AND REPAIRS ARE SUBJECT TO CHANGE BASED ON CONTRACTOR HANDS ON INSPECTIONS.
5. AT CRACKS OR DAMAGED AREAS OF PARGE COAT, CONTRACTOR SHALL REMOVE ALL PARGE COAT THAT IS NOT SOUNDLY CONNECTED TO THE BRICK, AND REPLACE WITH NEW PARGE COAT. TUCKPOINT ANY DETERIORATED MORTAR JOINTS PRIOR TO APPLYING NEW PARGE COAT.
6. ALL EXTERIOR MASONRY REPAIR ELEVATIONS ARE FOR REFERENCE AND BIDDING PURPOSES. CONTRACTOR IS RESPONSIBLE FOR EVALUATING CONDITION OF MASONRY IN FIELD AND COORDINATING SCOPE OF REPAIR WITH ARCH/ENGR.

BRICK REPAIR LEGEND:

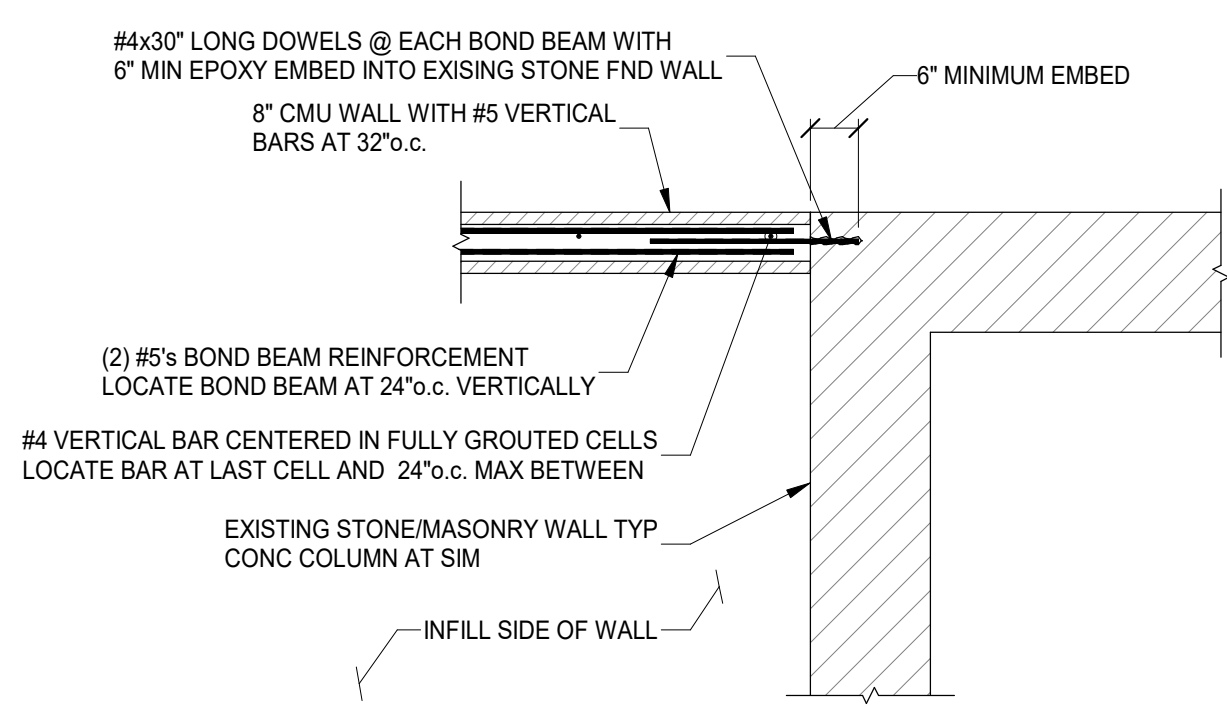
- TUCKPOINT
- REPLACE BRICK
- REPAIR BRICK
- NEW MASONRY

This document and the ideas and designs incorporated herein, as an instrument of professional service, is the property of Advantage Group Engineers, Inc. and is not to be used, in whole or in part, for any other project, without the written authorization of Advantage Group Engineers, Inc. Copyright 2023. Advantage Group Engineers, Inc. All rights reserved.

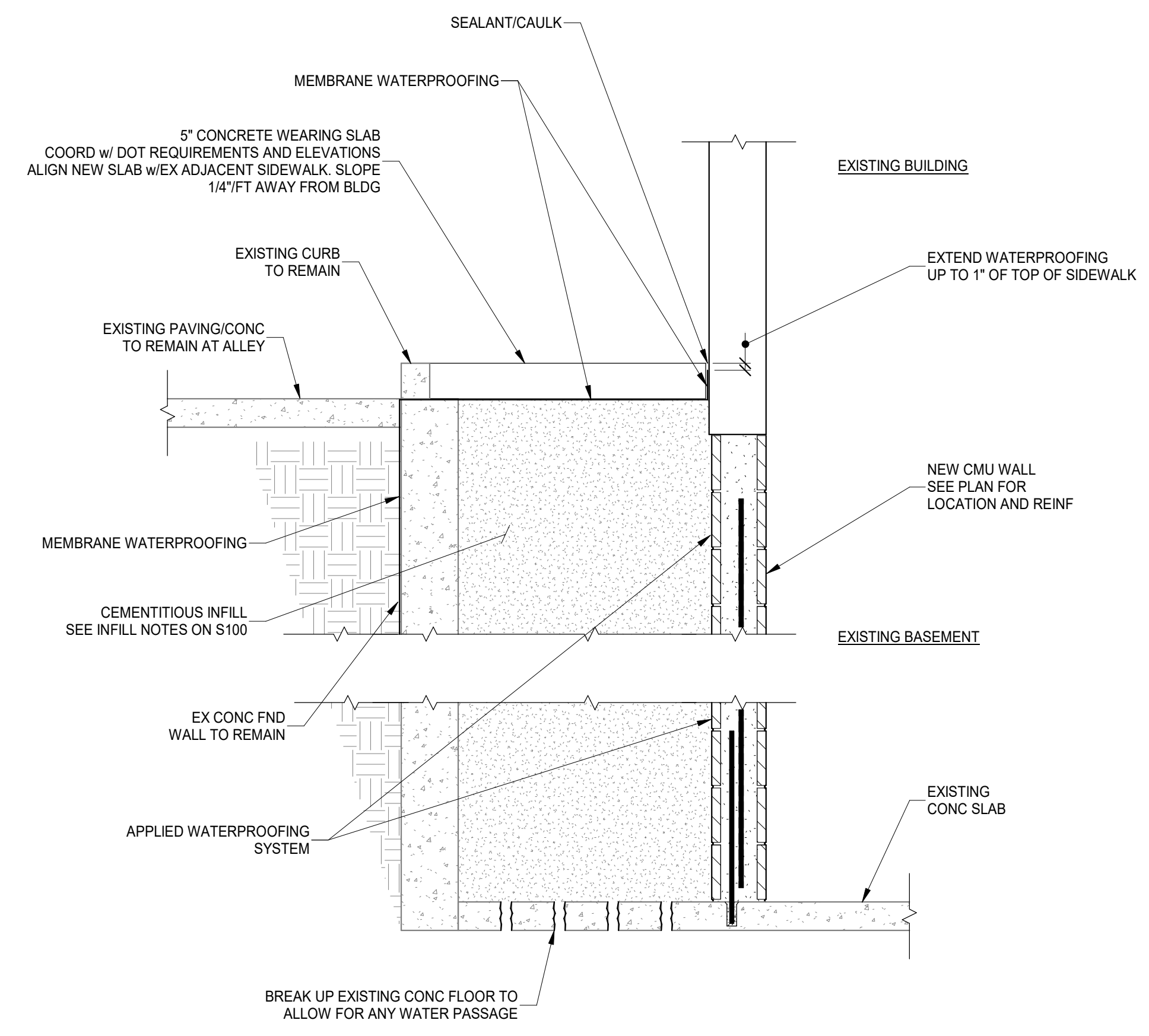
This document and the ideas and designs incorporated herein, as an instrument of professional service, is the property of Advantage Group Engineers, Inc. and is not to be used, in whole or in part, for any other project, without the written authorization of Advantage Group Engineers, Inc. Copyright 2023. Advantage Group Engineers, Inc. All rights reserved.



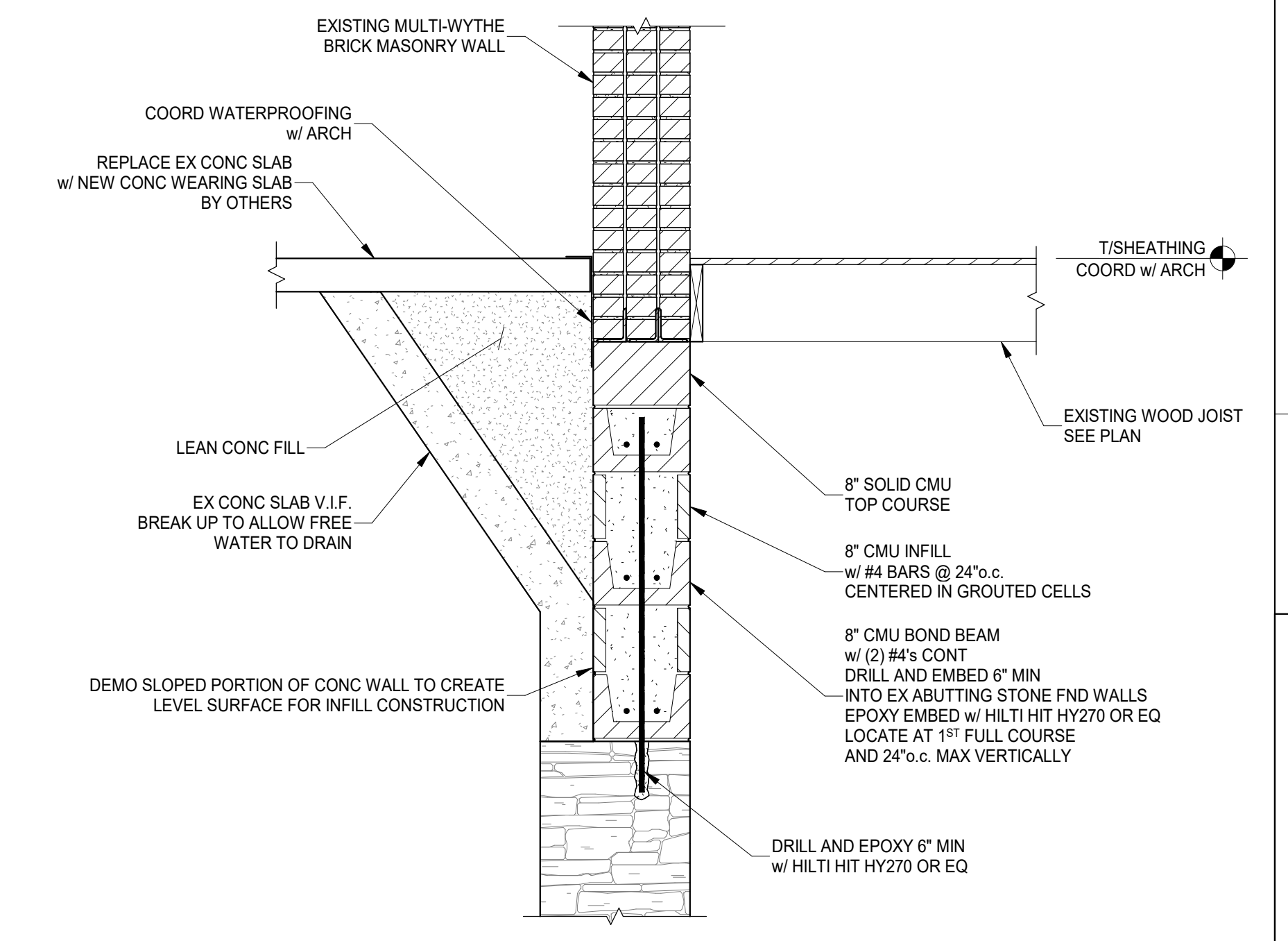
SECTION 1
SCALE 3/4" = 1'-0"
S310



PLAN DETAIL 2
SCALE 1/2" = 1'-0"
S310



TYP FULL HEIGHT INFILL DETAIL
SCALE 3/4" = 1'-0"



SECTION 4
SCALE 3/4" = 1'-0"
S310

NOT FOR CONSTRUCTION

CITY STUDIOS
ARCHITECTURE
1148 Main Street
Cincinnati, OH 45202
ph. 513.621.0750
citystudiosarch.com

advantage
STRUCTURAL ENGINEERS
1527 Madison Road
Cincinnati, OH 45206
513.396.8900
www.advantageSE.com

PREPARED FOR: CITY STUDIOS ARCHITECTURE
RUSS ALLEY
1623 - 1625 VINE STREET, 1624 REPUBLIC STREET
(1625 VINE HPTC APPLICATION)
CINCINNATI, OH 45202

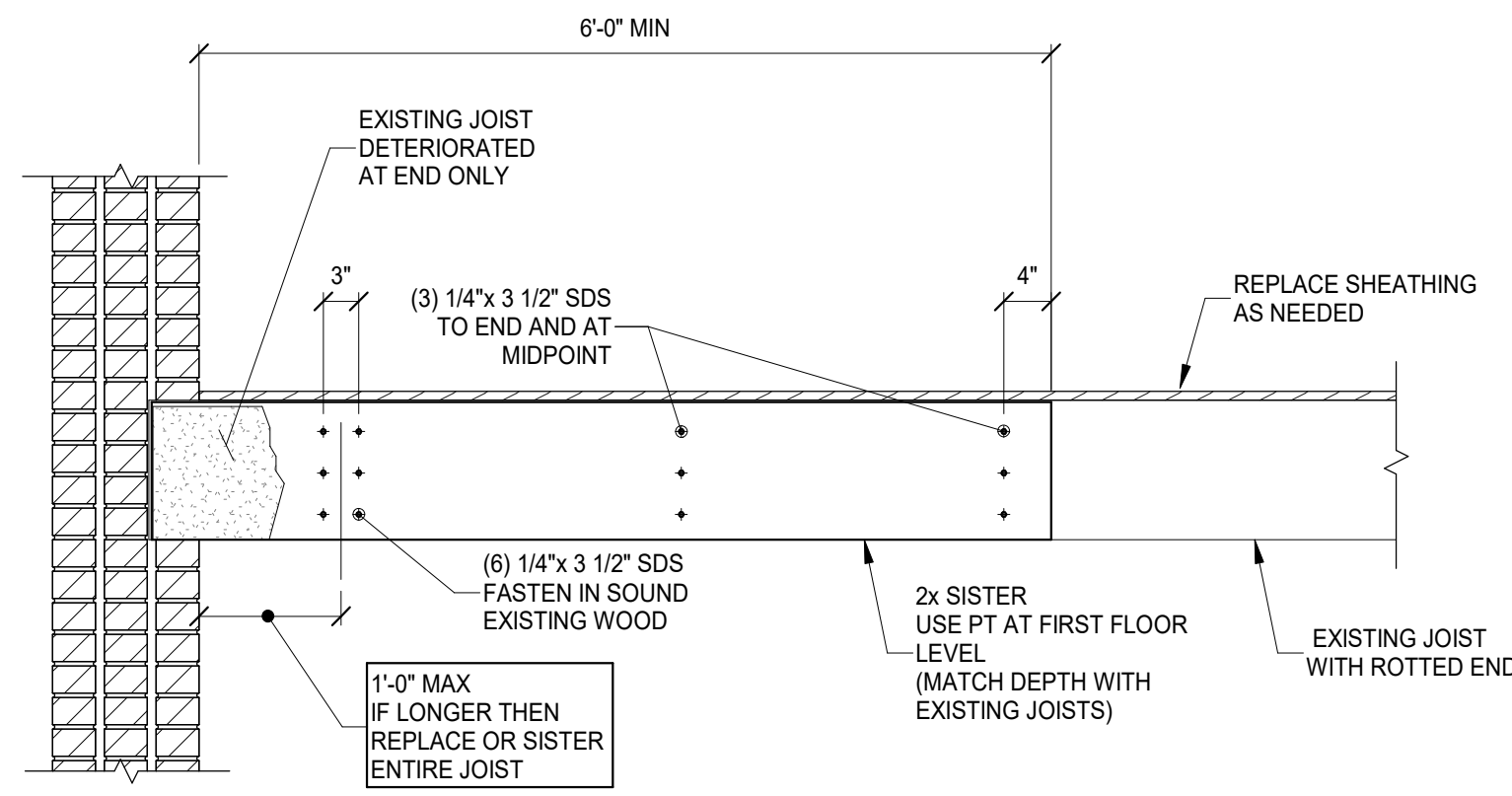
3CDC CINCINNATI CENTER CITY DEVELOPMENT CORPORATION

#	Revision/Submission	Date
	Issue for Permit	06.02.2023
	OHFA PRELIM. SUBMISSION	09.21.2023

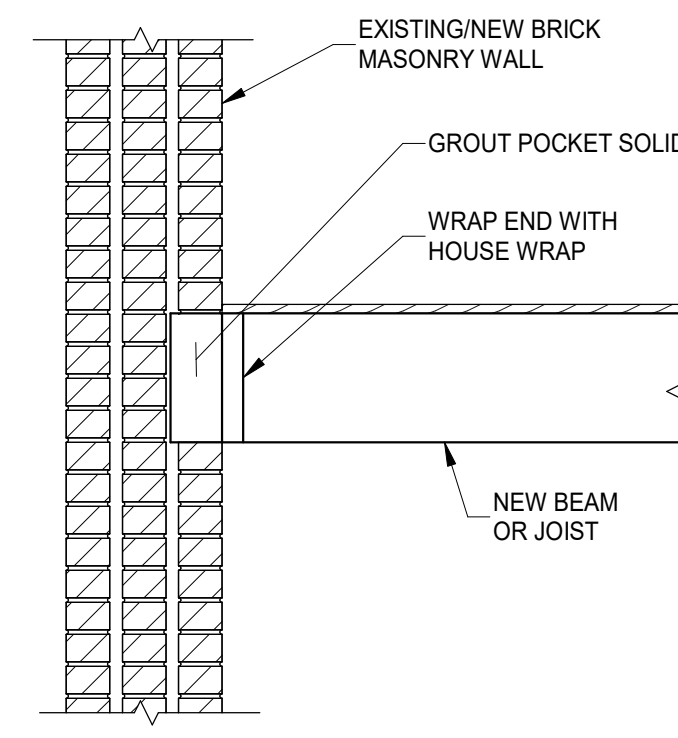
Project Number: 23188.06
Design Team: NFB / SJ
FOUNDATION SECTIONS

S310

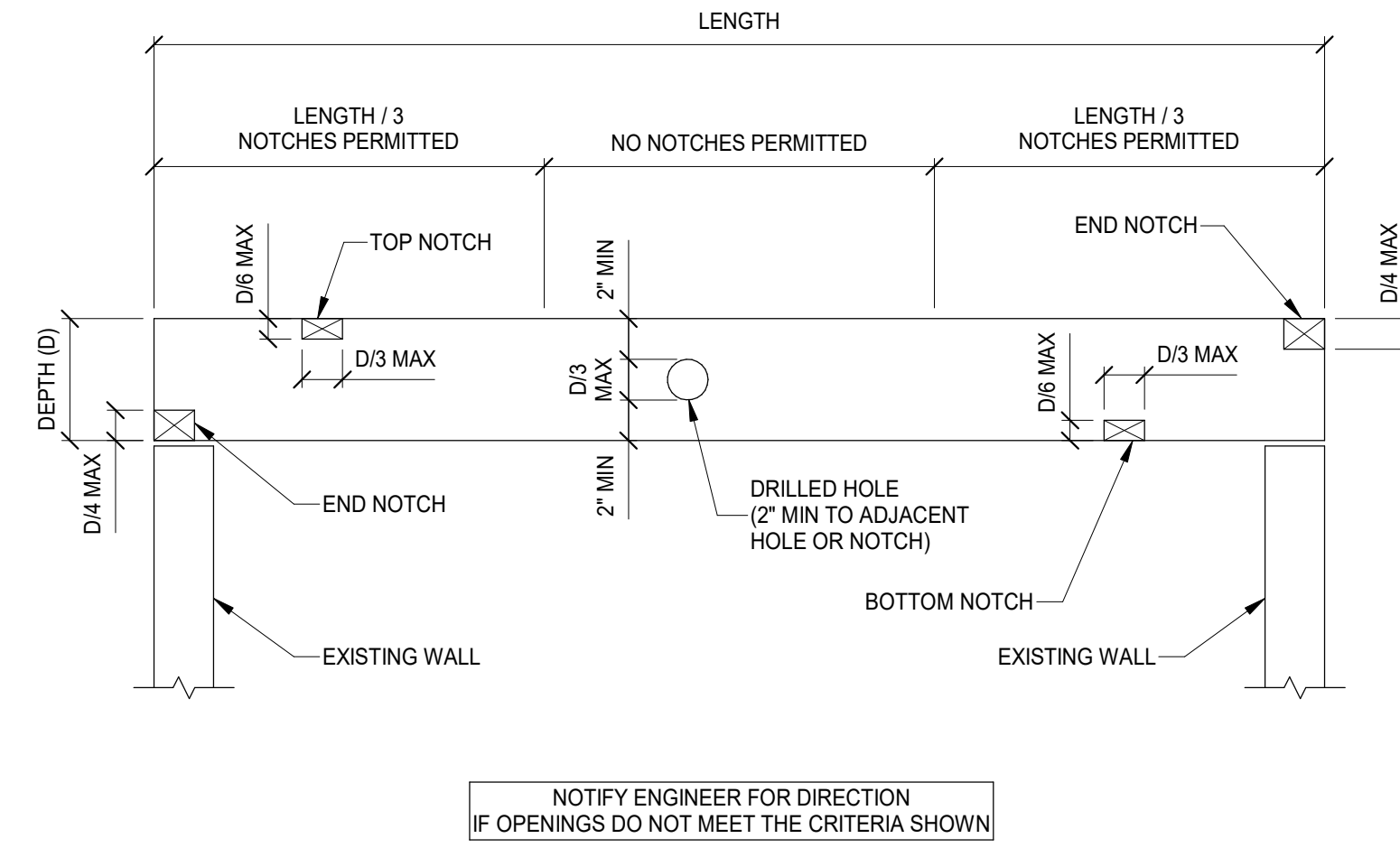
STRUCTURAL INFORMATION NOTED IS BASED ON ASSUMPTIONS OF CONDITION OF EXISTING FRAMING & FRAMING HIDDEN FROM VISUAL OBSERVATION. DETAILS OF PROPOSED FRAMING MODIFICATION/REPAIRS ARE SUBJECT TO CHANGE ONCE DEMOLITION IS UNDERWAY



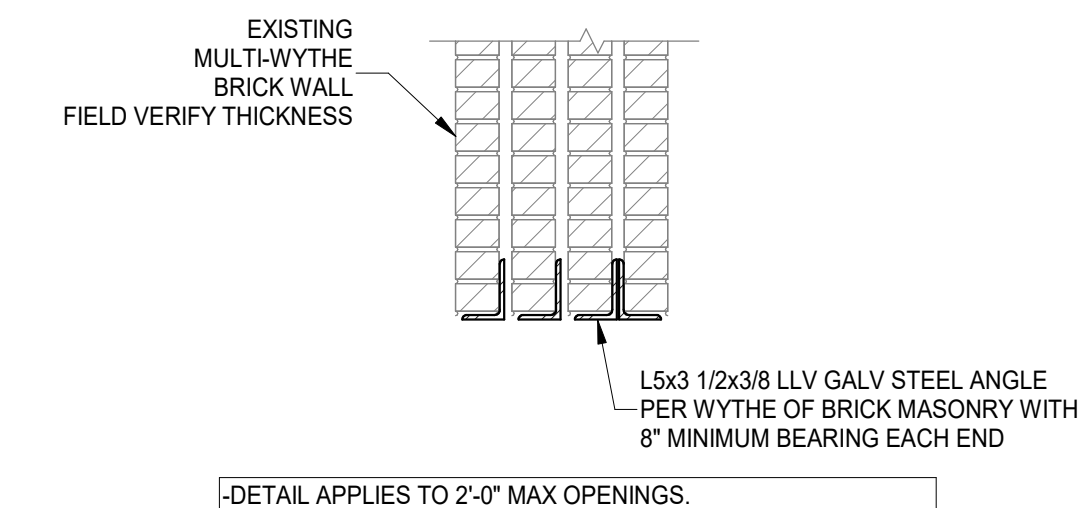
TYPICAL JOIST END SISTER DETAIL
SCALE 3/4" = 1'-0"



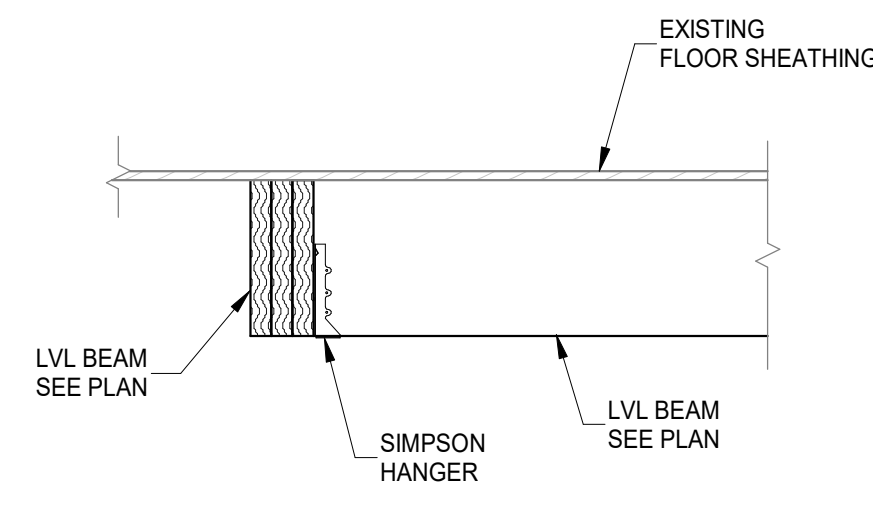
TYPICAL JOIST/BEAM POCKET DETAIL
SCALE 3/4" = 1'-0"



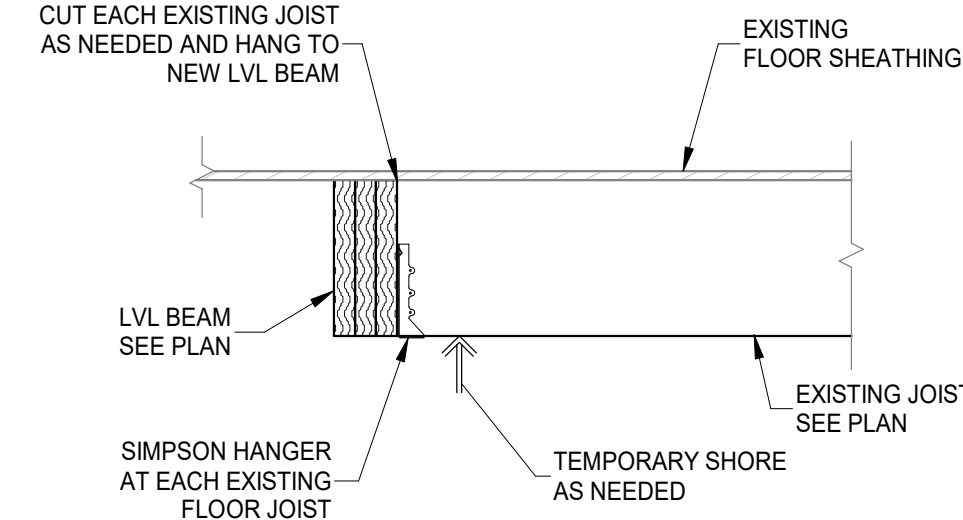
ALLOWABLE WOOD JOIST OPENINGS
SCALE 3/4" = 1'-0"



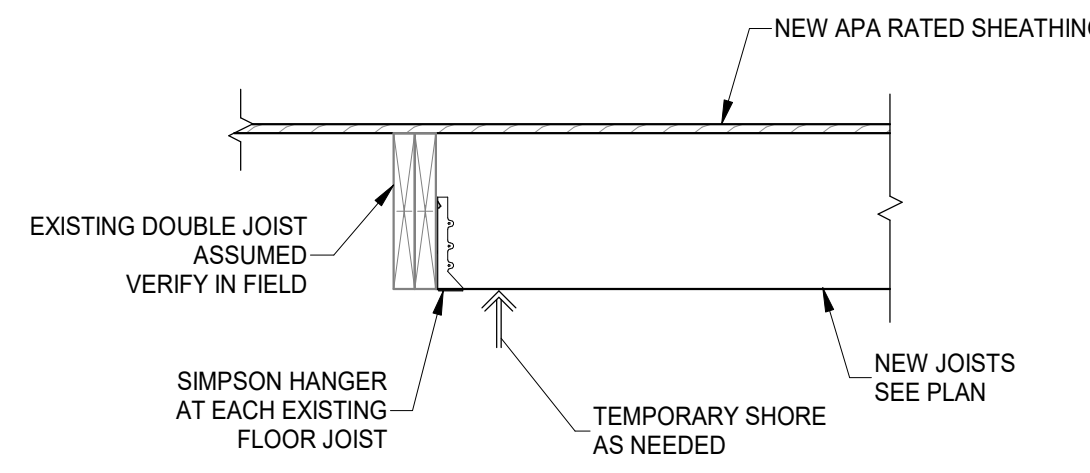
TYPICAL LINTEL AT MECH PENETRATIONS
SCALE 3/4" = 1'-0"



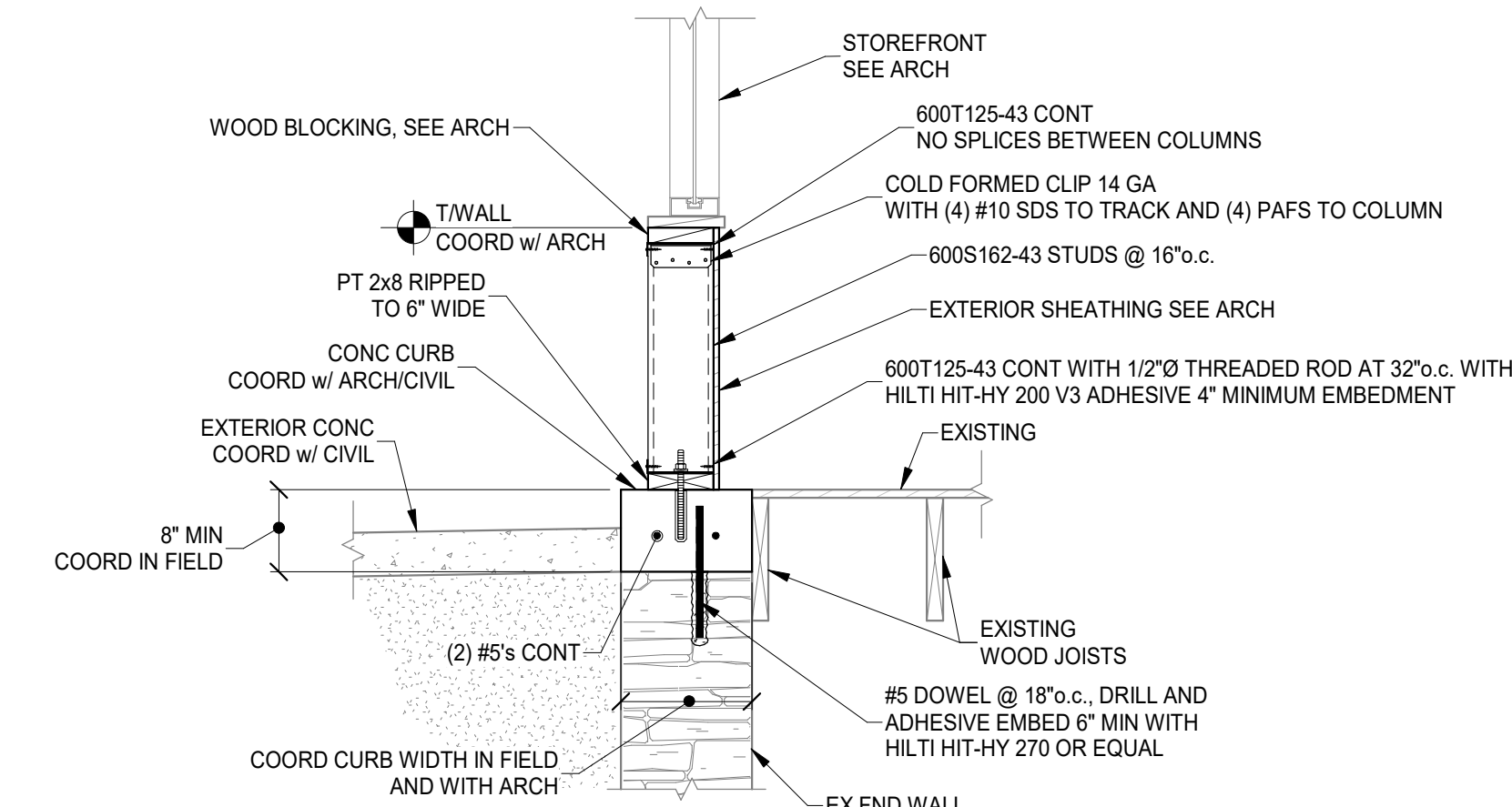
SECTION 1
SCALE 3/4" = 1'-0" S320



SECTION 2
SCALE 3/4" = 1'-0" S320



SECTION 3
SCALE 3/4" = 1'-0" S320



SECTION 4
SCALE 3/4" = 1'-0" S320

NOT FOR CONSTRUCTION

CITY STUDIOS ARCHITECTURE
1148 Main Street
Cincinnati, OH 45202
ph. 513.621.0750
citystudiosarch.com

advantage STRUCTURAL ENGINEERS
1527 Madison Road
Cincinnati, OH 45206
513.396.8900
www.advantageSE.com

PREPARED FOR: CITY STUDIOS ARCHITECTURE
RUSS ALLEY
1623 - 1625 VINE STREET, 1624 REPUBLIC STREET
(1625 VINE HPTC APPLICATION)
CINCINNATI, OH 45202

3CDC CENTER CITY DEVELOPMENT CORPORATION

#	Revision/Submission	Date
1	Issue for Permit	06.02.2023
2	CHFA PRELIM. SUBMISSION	09.21.2023

Project Number: 23188.06
Design Team: NFB / SJ

FRAMING SECTIONS

S320

STRUCTURAL INFORMATION NOTED IS BASED ON ASSUMPTIONS OF CONDITION OF EXISTING FRAMING & FRAMING HIDDEN FROM VISUAL OBSERVATION. DETAILS OF PROPOSED FRAMING MODIFICATION/REPAIRS ARE SUBJECT TO CHANGE ONCE DEMOLITION IS UNDERWAY

This document and the ideas and designs incorporated herein, as an instrument of professional service, is the property of Advantage Group Engineers, Inc. and is not to be used, in whole or in part, for any other project, without the written authorization of Advantage Group Engineers, Inc. Copyright 2023. Advantage Group Engineers, Inc. All rights reserved.

HVAC GENERAL NOTES:

- 1. ALL MECHANICAL EQUIPMENT AND INSTALLATIONS SHALL CONFORM WITH THE REQUIREMENTS OF THE 2017 OHIO MECHANICAL CODE... 2. THE LOCATIONS, ARRANGEMENT AND EXTENT OF EQUIPMENT, DEVICES, CONDUIT, AND OTHER APPURTENANCES RELATED TO THE INSTALLATION OF MECHANICAL WORK SHOWN ON DRAWINGS ARE APPROXIMATE... 3. THE CONSTRUCTION DOCUMENTS SHALL BE COMPRISED OF BOTH PLANS AND SPECIFICATIONS... 4. MATERIALS, EQUIPMENT OR LABOR NOT INDICATED BUT WHICH CAN BE REASONABLY INFERRED TO BE NECESSARY FOR A COMPLETE INSTALLATION SHALL BE PROVIDED... 5. ANY WALL, FLOOR, OR CEILING SURFACE THAT IS DISTURBED DURING THE COURSE OF THE HVAC WORK SHALL BE REPAIRED TO NEW CONDITION... 6. ALL MECHANICAL EQUIPMENT SHALL BE INSTALLED IN ACCORDANCE WITH UNDERWRITERS APPROVAL... 7. ALL MECHANICAL EQUIPMENT AND SYSTEMS SHALL BE GUARANTEED FOR A PERIOD OF ONE YEAR AFTER ACCEPTANCE BY OWNER... 8. ALL HVAC COMPRESSORS SHALL HAVE EXTENDED 4 YEAR MANUFACTURERS WARRANTY FOR A 5-YEAR TOTAL WARRANTY... 9. INSTALL GRADE MOUNTED OUTDOOR AIR CONDITIONING EQUIPMENT LEVEL ON 4" THICK REINFORCED CONCRETE PADS... 10. EQUIPMENT SHALL BE LOCATED AT LEAST 10'-0" FROM ALL ROOF EDGES OR OPEN SIDES OF A WALKING SURFACE... 11. AIR HANDLING AND FAN COIL UNITS LOCATED ABOVE THE LOWEST LEVEL FINISHED FLOOR SHALL BE INSTALLED WITH AN AUXILIARY CONDENSATE DRAIN PAN UNDER THE UNIT... 12. MOUNT TOP OF THERMOSTATS AND OTHER CONTROL DEVICES 48" AFF UNLESS NOTED OTHERWISE... 13. CONTRACTOR SHALL COORDINATE THE INSTALLATION OF ALL MECHANICAL EQUIPMENT, DUCTWORK, PIPING, ETC. TO FIT WITHIN THE SPACE ALLOWED BY THE ARCHITECTURAL AND STRUCTURAL CONDITIONS... 14. ALL PIPE AND DUCT PENETRATIONS OF FIRE AND/OR SMOKE-RATED ASSEMBLIES SHALL BE FIRE-STOPPED AS REQUIRED TO RESTORE THE ASSEMBLY TO ITS ORIGINAL INTEGRITY... 15. PROVIDE ACCESS PANELS IN NON-ACCESSIBLE CEILING AND IN WALL STRUCTURE TO ALLOW ADEQUATE ROOM FOR MAINTENANCE OF EQUIPMENT AND BALANCING OF SYSTEMS... 16. ALL MECHANICAL EQUIPMENT SHALL BE LABELED WITH A SEMI-RIGID PLASTIC LAMINATE NAMEPLATE WITH 2" HIGH WHITE LETTERS ON A BLACK BACKGROUND... 17. REFER TO ARCHITECTURAL PLANS FOR FLOOR AND CEILING ASSEMBLY UL RATINGS AND DETAILS... 18. WHERE PLANS CALL FOR UNDERCUT DOORS IN FIRE-RATED WALLS, UNDERCUT SHALL NOT EXCEED 3/4" PER NFPA-80... 19. SHOP DRAWINGS SHALL BE SUBMITTED TO AND APPROVED BY THE ARCHITECT PRIOR TO ORDERING, PURCHASING, OR FABRICATING ANY MECHANICAL EQUIPMENT... 20. CONTRACTOR SHALL COORDINATE ELECTRICAL CHARACTERISTICS AND REQUIREMENTS OF ALL MECHANICAL EQUIPMENT WITH ELECTRICAL DRAWINGS PRIOR TO ORDERING EQUIPMENT... 21. ALL MECHANICAL EQUIPMENT REQUIRING ELECTRICAL POWER SHALL BE INSTALLED WITH DISCONNECT SWITCHES AT EACH PIECE OF EQUIPMENT... 22. ALL REQUIRED CONTROL WIRING (INCLUDING POWER WIRING REQUIRED FOR CONTROL PANELS, DEVICES, ETC.) NOT SHOWN ON THE ELECTRICAL DRAWINGS SHALL BE INCLUDED AS PART OF THE MECHANICAL WORK... 23. UNLESS NOTED OTHERWISE, TRANSFORMERS, CONTROLS AND CONTROL WIRING REQUIRED FOR ALL MECHANICAL SYSTEMS SHALL BE FURNISHED WITH THE EQUIPMENT IT SERVES... 24. SUPPLY, RETURN, OUTSIDE, AND EXHAUST AIR DUCTWORK SHALL BE CONSTRUCTED OF GALVANIZED SHEETMETAL IN ACCORDANCE WITH SMACNA DUCT CONSTRUCTION STANDARDS... 25. ALL DUCTWORK SHALL BE SUPPORTED BY THE BUILDING STRUCTURE AND SHALL NOT REST ON CEILING TILES OR CEILING STRUCTURE... 26. FLEXIBLE DUCTWORK SHALL BE THERMAX-FLEX M-KE (UL-181 LISTED, CLASS 1 FLEXIBLE AIR DUCT) OR EQUAL... 27. ROUND AND FLEXIBLE SUPPLY AIR DUCTWORK SHALL BE CONNECTED TO MAIN DUCTS WITH A SPIRIN FITTING WITH SCOPUP AND BALANCING DAMPERS... 28. TAPE, BED AND SEAL AIR TIGHT ALL PENETRATIONS FROM RETURN AIR PLENUMS TO NON RETURN AIR PLENUMS THAT ARE REQUIRED DUE TO DUCTWORK, PIPING OR OTHER ITEMS... 29. EXHAUST AND OUTDOOR AIR INTAKE DUCTWORK SHALL BE FURNISHED WITH A BUILT-IN BACK-DRAFT DAMPER GRAVITY TYPE UNLESS NOTED OTHERWISE... 30. DRYER VENT DUCTWORK SHALL BE 4-INCH ROUND AND BE 26 GAUGE GALVANIZED STEEL... 31. PORTIONS OF DUCTWORK AND PIPE INSULATION VISIBLE THROUGH AIR DISTRIBUTION DEVICES IN FINISHED AREAS SHALL BE PAINTED FLAT BLACK.

DUCTWORK DIMENSIONS SHOWN ON THE DRAWINGS ARE INSIDE CLEAR DIMENSIONS.

- 32. INSTALL FIRE DAMPERS IN ALL THROUGH PENETRATIONS IN FIRE-RATED WALLS, FLOOR AND CEILING... 33.1. WHERE DUCTS PENETRATE FIRE-RATED WALLS AND HAVE DUCT DRAININGS SERVING SPACES ON BOTH SIDES OF THE RATED WALL, FIRE/SMOKE DAMPERS SHALL BE PROVIDED AT FIRE-RATED WALL PENETRATION... 34. INSTALL CEILING RADIATION DAMPERS AT DIFFUSERS MOUNTED IN FIRE-RATED CEILING ASSEMBLIES... 35. INSTALL SMOKE DAMPERS IN ALL DUCT PENETRATIONS THROUGH SMOKE-RATED WALLS... 36. LOCATIONS OF GRILLES, REGISTERS, & DIFFUSERS SHOWN ON THE DRAWINGS ARE APPROXIMATE... 37. AFTER CONSTRUCTION, THE ENTIRE HVAC SYSTEM SHALL BE TESTED, ADJUSTED, AND BALANCED TO DELIVER THE AIR AND WATER QUANTITIES SHOWN ON THE DRAWINGS... 38. DUCT ACCESS DOORS: PROVIDE ACCESS DOORS IN DUCTWORK AT EACH FIRE, SMOKE, FIRE/SMOKE, OR DUCT-DROP RATED CEILING RADIATION DAMPER LOCATION... 39. REFRIGERANT PIPING SHALL BE TYPE L OR REFRIGERATION SERVICE COPPER TUBING WITH BRAZED JOINTS... 40. CONDENSATE FROM ALL AIR CONDITIONING EQUIPMENT SHALL BE TRAPPED AND ROUTED TO THE NEAREST FLOOR DRAIN OR OTHER PLUMBING DRAIN AS SHOWN ON PLANS... 41.1. SHEET METAL SUPPLY, RETURN, AND OUTSIDE AIR DUCTWORK: R-4 MINIMUM INSTALLED... 42. ALL PIPING ABOVE GRADE SHALL BE SUPPORTED BY THE BUILDING STRUCTURE AND SHALL NOT REST ON CEILING TILES OR CEILING STRUCTURE... 43. EXPANSION IN PIPING SYSTEMS SHALL BE COMPENSATED FOR BY THE USE OF U-BENDS, Z-BENDS OR EXPANSION JOINTS AS INDICATED... 44. DUCT INSULATION: 44.1. DUCT WRAP SHALL BE UL LISTED FIBERGLASS BLANKET INSULATION WITH FOIL VAPOR BARRIER... 44.2. EXHAUST DUCTWORK ROUTED WITHIN THE BUILDING THERMAL ENVELOPE SHALL NOT BE INSULATED UNLESS NOTED OTHERWISE... 44.3. ALL SHEET METAL DUCT LOCATED OUTSIDE THE THERMAL ENVELOPE OF THE BUILDING: R-8 MINIMUM INSTALLED... 45. LINE ALL SHEETMETAL DUCTWORK A MINIMUM OF 10'-0" DOWNSTREAM OF ALL AIR HANDLING UNITS, FAN COIL UNITS AND TERMINAL UNITS.

PIPING:

- 46. CONSTANT VOLUME DIRECT EXPANSION (DX) SYSTEM 46.1. HEATING/COOLING SYSTEM SHALL BE CONTROLLED BY AN ON/OFF/AUTO THERMOSTAT CONTINUOUSLY... 46.1.1. IN DWELLING UNITS, FAN CYCLING IN 'AUTO' MODE SHALL BE ALLOWED. 47. PRIOR TO THE FINAL MECHANICAL AND PLUMBING INSPECTIONS, AN APPROVED AGENCY CONTRACTED BY THE OWNER SHALL COMMISSION ALL MECHANICAL SYSTEMS AS DESCRIBED BELOW. 48. A 'PRELIMINARY COMMISSIONING REPORT' DETAILING ALL TESTING ACTIVITIES, ITEMIZED LIST OF DEFICIENCIES, DEFERRED TESTS NOT PERFORMED DUE TO CLIMATIC CONDITIONS, AND CLIMATIC CONDITIONS AT THE TIME OF TESTING SHALL BE PROVIDED TO THE OWNER (OR OWNERS AGENT) AND THE CODE OFFICIAL. 48.1. THE BUILDING OWNER (OR OWNERS AGENT) MUST ISSUE A LETTER OF TRANSMITTAL TO THE CODE OFFICIAL ACKNOWLEDGING RECEIPT OF THE PRELIMINARY COMMISSIONING REPORT BEFORE THE BUILDING WILL BE CONSIDERED ELIGIBLE FOR FINAL INSPECTION. 49. CONTRACTOR SHALL PROVIDE THE BUILDING OWNER (OR OWNERS AGENT) WITH AN OPERATIONS AND MAINTENANCE MANUAL INCLUDING THE FOLLOWING: 49.1. SUBMITTAL DATA STATING EQUIPMENT SIZE AND SELECTED OPTION FOR EACH PIECE OF EQUIPMENT REQUIRING MAINTENANCE. 49.2. MANUFACTURERS OPERATIONS MANUALS AND MAINTENANCE MANUALS FOR EACH PIECE OF EQUIPMENT REQUIRING MAINTENANCE, EXCEPT EQUIPMENT NOT FURNISHED AS PART OF THE PROJECT... 49.3. NAME AND ADDRESS OF AT LEAST ONE SERVICE AGENCY. 49.4. HVAC AND SERVICE HOT WATER CONTROLS SYSTEM MAINTENANCE AND CALIBRATION INFORMATION... 49.5. A NARRATIVE OF HOW EACH SYSTEM IS INTENDED TO OPERATE, INCLUDING RECOMMENDED SET POINTS.

INSULATION:

- 49.5. A 'FINAL COMMISSIONING REPORT' DETAILING ALL TESTING PROCEDURES AND RESULTS SHALL BE DELIVERED TO THE BUILDING OWNER (OR OWNERS AGENT). THE FINAL REPORT SHALL INCLUDE ALL INFORMATION AS DESCRIBED ABOVE IN THE PRELIMINARY REPORT, EXCEPT THAT NO DEFERRED TESTS SHALL BE PERMITTED.

MECHANICAL SYMBOL LEGEND

Table with 4 columns: Symbol, Description, Detail #/Sheet #, Reference Tag. Includes symbols for fire dampers, diffusers, sensors, and duct transitions.

Table with 4 columns: Symbol, Description, Detail #/Sheet #, Reference Tag. Includes symbols for vertical fire damper, volume damper, smoke damper, and ceiling radiation damper.

SINGLE LINE DUCTWORK

Table with 4 columns: Symbol, Description, Detail #/Sheet #, Reference Tag. Includes symbols for new ductwork, elbows, round radius elbows, and size transitions.

DOUBLE LINE DUCTWORK

Table with 4 columns: Symbol, Description, Detail #/Sheet #, Reference Tag. Includes symbols for new ductwork, elbows, round radius elbows, and size transitions for double line ductwork.

MECHANICAL NOTATIONS

Large table with 6 columns: Code, Description, Code, Description, Code, Description. Lists various mechanical components and their abbreviations.

MECHANICAL LINETYPE LEGEND

Table with 2 columns: Linetype, Description. Lists various line styles used in mechanical drawings.

MECHANICAL SHEET INDEX

Table with 2 columns: Sheet No., Sheet Description. Lists the index of mechanical sheets for the project.

CITYSTUDIOS ARCHITECTURE logo and contact information: 1148 Main Street, Cincinnati, OH 45202.

advantage STRUCTURAL ENGINEERS logo and contact information: 1527 Madison Road, Cincinnati, OH 45206.

VIOX & VIOX logo and contact information: Civil Engineers, Surveyors, and Landscape Architects.

PE Energy logo and contact information: 9 North Broadway, Lebanon, OH 45046.

RUSS ALLEY 1623 - 1625 VINE STREET, 1624 REPUBLIC STREET (1625 VINE HPTC APPLICATION) CINCINNATI, OH 45202

3CDC logo and Cincinnati Center City Development Corporation logo.

ISSUE LOG: 04.02.2023 ISSUE FOR PERMIT 09.21.2023 CHFA PRELIM. SUBMISSION

CONTRACTOR NOTE

IT IS THE RESPONSIBILITY OF THE CONTRACTOR TO NOTIFY THE ARCHITECT, LANDLORD AND TENANT OF ANY DISCREPANCIES ENCOUNTERED ON THE PLANS OR IN EXISTING SITE CONDITIONS PRIOR TO SUBMISSION OF BID. BIDDERS ARE TO VISIT THE SITE AND FAMILIARIZE THEMSELVES WITH EXISTING CONDITIONS AND SATISFY THEMSELVES AS TO THE NATURE AND SCOPE OF THE WORK...

MECHANICAL COVER SHEET

MO.1

GENERAL NOTES:

- A. RUN ALL DUCTWORK, VENTING AND REFRIGERANT PIPING AS HIGH AS POSSIBLE AND OUT OF THE MAIN EGRESS PATHS. MINIMUM BASEMENT HEAD CLEARANCE OF 7'-0". REFER TO ARCHITECTURAL DRAWINGS FOR MORE INFORMATION.

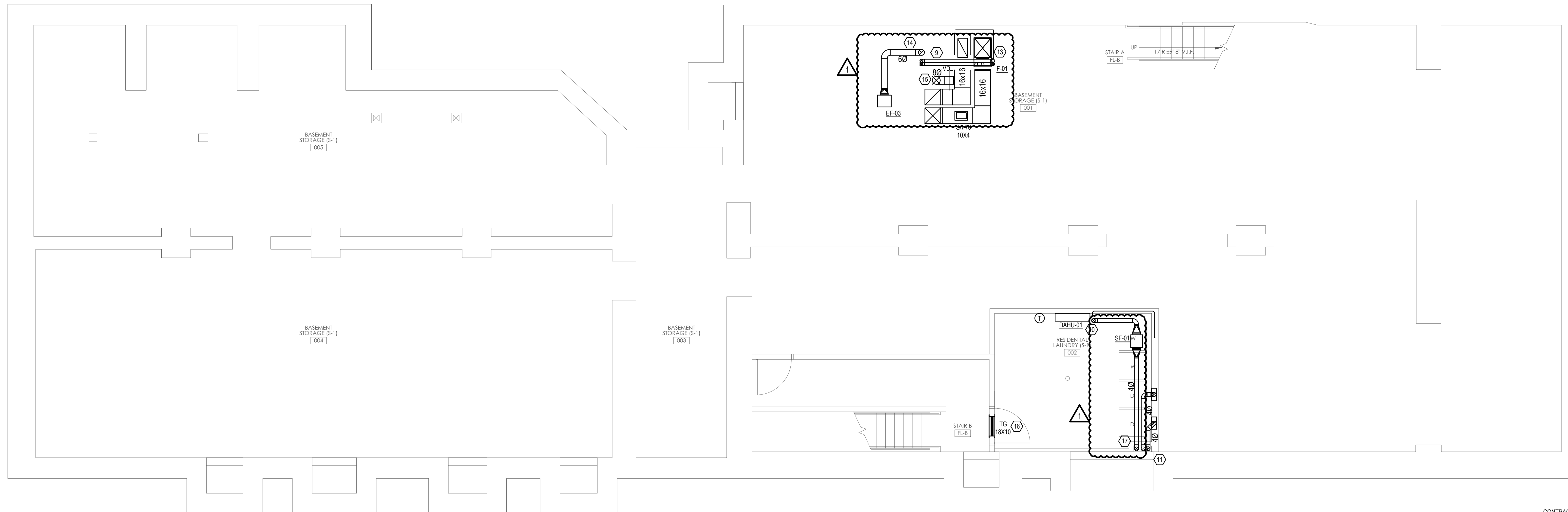
(THESE PLAN NOTES APPLY TO ALL HVAC UNIT PLANS- ALL PLAN NOTES MAY NOT APPLY TO EVERY SHEET.)

PLAN NOTES:

- ROUTE 3/4" CONDENSATE DRAIN LINE TO FLOOR DRAIN IN MECHANICAL CLOSET. PROVIDE CODE REQUIRED AIR GAP. REFER TO PLUMBING PLANS FOR EXACT LOCATION.
- ROUTE 4" DRYER EXHAUST FROM VENT BOX UP THROUGH WALL WITH FIRE CAULK AT TOP PLATE PENETRATION. ROUTE CONCEALED THROUGH STRUCTURE TO EXTERIOR WALL. TERMINATE VIA WALL CAP. EQUAL TO GREENHECK MODEL "WC". REFERENCE DETAIL #8 ON SHEET M5.2.
- ROUTE 4" DRYER EXHAUST FROM VENT BOX UP THROUGH WALL WITH FIRE CAULK AT TOP PLATE PENETRATION. ROUTE CONCEALED THROUGH STRUCTURE TO ROOF. TERMINATE VIA ROOF CAP. MAINTAIN CODE REQUIRED 10'-0" CLEARANCE FROM ANY FRESH AIR INTAKE. REFERENCE DETAIL #8 ON SHEET M5.2.
- ROUTE 4" BATH EXHAUST FROM EF-A CONCEALED THROUGH STRUCTURE TO EXTERIOR WALL. TERMINATE VIA WALL CAP. EQUAL TO GREENHECK MODEL "WC". REFERENCE DETAIL #8 ON SHEET M5.2.
- ROUTE 4" BATH EXHAUST FROM EF-A CONCEALED THROUGH STRUCTURE TO ROOF. TERMINATE VIA ROOF CAP. MAINTAIN CODE REQUIRED 10'-0" CLEARANCE FROM ANY FRESH AIR INTAKE. REFERENCE DETAIL #8 ON SHEET M5.2.
- PROVIDE (2) 18X10 TYPE "C" TRANSFER GRILLES (120 SQ. IN. MINIMUM FREE AREA) ONE ON BEDROOM SIDE AND ONE FACING LAUNDRY ROOM ABOVE DOOR FOR DRYER MAKEUP.
- ROUTE KITCHEN EXHAUST DUCT, SIZED PER PLAN. CONCEALED THROUGH STRUCTURE TO EXTERIOR WALL. TERMINATE VIA WALL CAP. EQUAL TO GREENHECK MODEL "WC". REFERENCE DETAIL #8 ON SHEET M5.2.
- ROUTE KITCHEN EXHAUST DUCT, SIZED PER PLAN. CONCEALED THROUGH STRUCTURE TO ROOF AND TERMINATE VIA ROOF CAP. REFERENCE DETAIL #8 ON SHEET M5.2.
- ROUTE 3" COMBUSTION AIR INTAKE AND VENT FROM GAS FURNACE F-01 CONCEALED THROUGH STRUCTURE TO CHASE. ROUTE UP THROUGH CHASE TO THE EXTERIOR WALL. TERMINATE VIA MANUFACTURER SPECIFIC CONCENTRIC VENT KIT.
- ROUTE 3/4" CONDENSATE DRAIN LINE TO WASHER BOX WITHIN WALL BEHIND WASHER/DRYER. ALL CONDENSATE DRAIN LINE TO BE CONCEALED WITHIN WALL. REFER TO PLUMBING PLANS FOR EXACT LOCATION. PROVIDE CODE REQUIRED AIR GAP.
- ROUTE 4" DRYER EXHAUST FROM VENT BOX UP THROUGH WALL AND TO CHASE TO THE FIRST FLOOR. ON FIRST FLOOR, ROUTE CONCEALED THROUGH STRUCTURE TO THE EXTERIOR WALL. TERMINATE VIA WALL CAP. EQUAL TO GREENHECK MODEL "WC". MINIMUM OF 12' ABOVE GRADE.
- ROUTE OUTSIDE AIR DUCT THROUGH CEILING MEMBRANE. ROUTE CONCEALED THROUGH STRUCTURE TO ROOF. TERMINATE VIA ROOF CAP. MAINTAIN CODE REQUIRED 10'-0" CLEARANCE FROM ANY EXHAUST DUCT PENETRATION. PROVIDE MOTORIZED DAMPER AND SET TO VALUES INDICATED PER OUTSIDE AIR SCHEDULES ON SHEET M5.1. REFERENCE DETAIL #8 ON SHEET M5.2.
- ROUTE 3/4" CONDENSATE DRAIN FROM GAS FURNACE F-01 TO NEAREST FLOOR DRAIN. PROVIDE CODE REQUIRED AIR GAP. REFER TO PLUMBING PLANS FOR EXACT LOCATION.
- ROUTE EXHAUST DUCT, SIZED PER PLAN. CONCEALED THROUGH STRUCTURE TO EXTERIOR WALL. TERMINATE VIA WALL CAP. EQUAL TO GREENHECK MODEL "WC".
- ROUTE OUTSIDE AIR DUCT, SIZED PER PLAN. UP THROUGH STRUCTURE TO ROOF. TERMINATE VIA ROOF CAP.
- PROVIDE (2) 18X10 TYPE "C" TRANSFER GRILLES (120 SQ. IN. MINIMUM FREE AREA) ONE ON HALLWAY SIDE AND ONE FACING LAUNDRY ROOM ABOVE DOOR FOR DRYER MAKEUP.
- ROUTE 4" OUTSIDE AIR DUCT THROUGH STRUCTURE TO CHASE. ROUTE UP THROUGH CHASE TO EXTERIOR WALL. TERMINATE VIA WALL CAP. EQUAL TO GREENHECK MODEL "WC". HIGH ON WALL. MAINTAIN CODE REQUIRED CLEARANCE FROM ANY EXHAUST DUCT TERMINATIONS.

DRYER VENT CALCULATION	
RESIDENTIAL LAUNDRY 1	
HORIZONTAL LENGTH	6
VERTICAL LENGTH	14.5
# OF 90'S	4
# OF 45'S	0
TOTAL LENGTH	40.5
OWNER-PROVIDED DRYER	

DRYER VENT CALCULATION	
RESIDENTIAL LAUNDRY 2	
HORIZONTAL LENGTH	3
VERTICAL LENGTH	14.5
# OF 90'S	3
# OF 45'S	1
TOTAL LENGTH	35
OWNER-PROVIDED DRYER	



BASEMENT MECHANICAL PLAN | 1
1/4" = 1'-0" | M1.0



CONTRACTOR NOTE
IT IS THE RESPONSIBILITY OF THE CONTRACTOR TO NOTIFY THE ARCHITECT, LANDLORD AND TENANT OF ANY DISCREPANCIES ENCOUNTERED ON THE PLANS OR IN EXISTING SITE CONDITIONS PRIOR TO SUBMISSION OF BID.
BIDDERS ARE TO VISIT THE SITE AND FAMILIARIZE THEMSELVES WITH EXISTING CONDITIONS AND SATISFY THEMSELVES AS TO THE NATURE AND SCOPE OF THE WORK. THE BASE BID SHALL REFLECT MODIFICATIONS TO SYSTEMS AND DEVICES AS REQUIRED BY STATE, LOCAL, AND FEDERAL CODES WHETHER INDICATED OR NOT ON CONTRACT DOCUMENTS. THE SUBMISSIONS OF A BID WILL BE EVIDENCE THAT SUCH AN EXAMINATION AND COMPLIANCE WITH GOVERNING CODES/REQUIREMENTS HAS BEEN MADE. LATER CLAIMS FOR LABOR, EQUIPMENT, OR MATERIALS REQUIRED OR FOR DIFFICULTIES ENCOUNTERED WHICH COULD HAVE BEEN FORESEEN HAD AN EXAMINATION AND CODE/REQUIREMENTS REVIEW BEEN MADE, WILL NOT BE ALLOWED.

NOT FOR CONSTRUCTION

CITYSTUDIOS ARCHITECTURE
1148 Main Street
Cincinnati, OH 45202
ph: 513.621.0750
citystudiosarch.com

advantage
STRUCTURAL ENGINEERS
1527 Madison Road
Cincinnati, OH 45206
513.396.8900
www.advantageSE.com

VIXO&VIXO
Civil Engineers, Surveyors, and Landscape Architects
1650 Riverchase Lane, Cincinnati, OH 45240
Phone: 513.233.1200 • Fax: 513.233.1208 • www.vixov.com

PE Energy Services
CONSULTING FOR THE BUILDING
4493-Broadway
Lebanon, OH 45046
513-836-3810

RUSS ALLEY
1623 - 1625 VINE STREET, 1624 REPUBLIC STREET
(1625 VINE HPTC APPLICATION)
CINCINNATI, OH 45202

3CDC CINCINNATI CENTER CITY DEVELOPMENT CORPORATION

ISSUE LOG:
04.02.2023
ISSUE FOR PERMIT
07.14.2023
PERMIT REVISION 1
09.21.2023
CHFA PRELIM. SUBMISSION

BASEMENT MECHANICAL PLAN

M1.0

GENERAL NOTES:

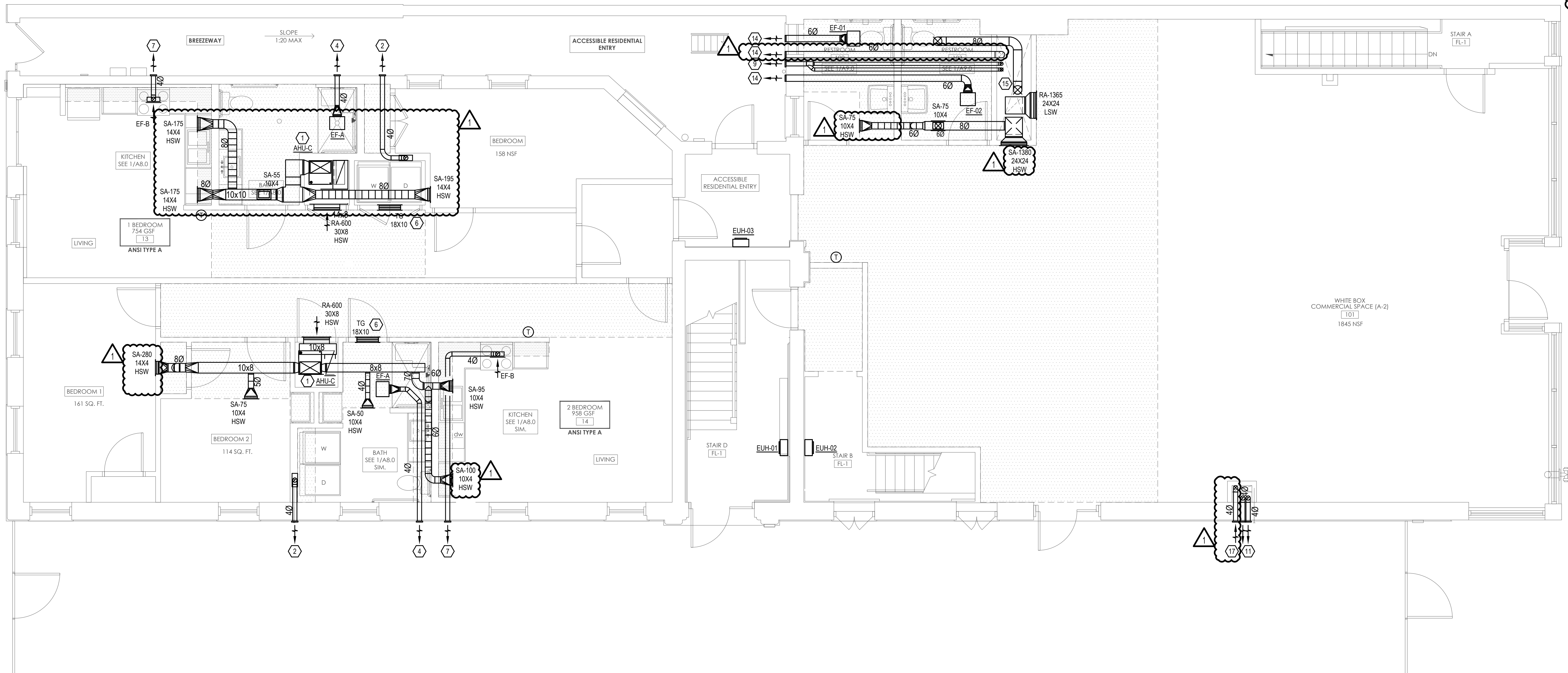
- A. HATCHED AREAS INDICATED LOWERED CEILINGS. REFER TO ARCHITECTURAL DRAWINGS FOR MORE INFORMATION.

(THESE PLAN NOTES APPLY TO ALL HVAC UNIT PLANS- ALL PLAN NOTES MAY NOT APPLY TO EVERY SHEET.)

PLAN NOTES:

1. ROUTE 3/4" CONDENSATE DRAIN LINE TO FLOOR DRAIN IN MECHANICAL CLOSET. PROVIDE CODE REQUIRED AIR GAP. REFER TO PLUMBING PLANS FOR EXACT LOCATION.
2. ROUTE 4" DRYER EXHAUST FROM VENT BOX UP THROUGH WALL WITH FIRE CAULK AT TOP PLATE PENETRATION. ROUTE CONCEALED THROUGH STRUCTURE TO EXTERIOR WALL. TERMINATE VIA WALL CAP. EQUAL TO GREENHECK MODEL "WC". REFERENCE DETAIL #8 ON SHEET M5.2.
3. ROUTE 4" DRYER EXHAUST FROM VENT BOX UP THROUGH WALL WITH FIRE CAULK AT TOP PLATE PENETRATION. ROUTE CONCEALED THROUGH STRUCTURE TO ROOF. TERMINATE VIA ROOF CAP. MAINTAIN CODE REQUIRED 10'-0" CLEARANCE FROM ANY FRESH AIR INTAKE. REFERENCE DETAIL #8 ON SHEET M5.2.
4. ROUTE 4" BATH EXHAUST FROM EF-A CONCEALED THROUGH STRUCTURE TO EXTERIOR WALL. TERMINATE VIA WALL CAP. EQUAL TO GREENHECK MODEL "WC". REFERENCE DETAIL #8 ON SHEET M5.2.
5. ROUTE 4" BATH EXHAUST FROM EF-A CONCEALED THROUGH STRUCTURE TO ROOF. TERMINATE VIA ROOF CAP. MAINTAIN CODE REQUIRED 10'-0" CLEARANCE FROM ANY FRESH AIR INTAKE. REFERENCE DETAIL #8 ON SHEET M5.2.
6. PROVIDE (2) 18X10 TYPE "C" TRANSFER GRILLES (120 SQ. IN. MINIMUM FREE AREA) ONE ON BEDROOM SIDE AND ONE FACING LAUNDRY ROOM ABOVE DOOR FOR DRYER MAKEUP.
7. ROUTE KITCHEN EXHAUST DUCT, SIZED PER PLAN, CONCEALED THROUGH STRUCTURE TO EXTERIOR WALL. TERMINATE VIA WALL CAP. EQUAL TO GREENHECK MODEL "WC". REFERENCE DETAIL #8 ON SHEET M5.2.
8. ROUTE KITCHEN EXHAUST DUCT, SIZED PER PLAN, CONCEALED THROUGH STRUCTURE TO ROOF AND TERMINATE VIA ROOF CAP. REFERENCE DETAIL #8 ON SHEET M5.2.
9. ROUTE 3" Ø COMBUSTION AIR INTAKE AND VENT FROM GAS FURNACE F-01 CONCEALED THROUGH STRUCTURE TO CHASE. ROUTE UP THROUGH CHASE TO THE EXTERIOR WALL. TERMINATE VIA MANUFACTURER SPECIFIC CONCENTRIC VENT KIT.
10. ROUTE 3/4" Ø CONDENSATE DRAIN LINE TO WASHER BOX WITHIN WALL BEHIND WASHER/DRYER. ALL CONDENSATE DRAIN LINE TO BE CONCEALED WITHIN WALL. REFER TO PLUMBING PLANS FOR EXACT LOCATION. PROVIDE CODE REQUIRED AIR GAP.
11. ROUTE 4" DRYER EXHAUST FROM VENT BOX UP THROUGH WALL AND TO CHASE TO THE FIRST FLOOR. ON FIRST FLOOR, ROUTE CONCEALED THROUGH STRUCTURE TO THE EXTERIOR WALL. TERMINATE VIA WALL CAP. EQUAL TO GREENHECK MODEL "WC". MINIMUM OF 12" ABOVE GRADE.
12. ROUTE OUTSIDE AIR DUCT THROUGH CEILING MEMBRANE. ROUTE CONCEALED THROUGH STRUCTURE TO ROOF. TERMINATE VIA ROOF CAP. MAINTAIN CODE REQUIRED 10'-0" CLEARANCE FROM ANY EXHAUST DUCT PENETRATION. PROVIDE MOTORIZED DAMPER AND SET TO VALUES INDICATED PER OUTSIDE AIR SCHEDULES ON SHEET M6.1. REFERENCE DETAIL #8 ON SHEET M5.2.
13. ROUTE 3/4" Ø CONDENSATE DRAIN FROM GAS FURNACE F-01 TO NEAREST FLOOR DRAIN. PROVIDE CODE REQUIRED AIR GAP. REFER TO PLUMBING PLANS FOR EXACT LOCATION.
14. ROUTE EXHAUST DUCT, SIZED PER PLAN, CONCEALED THROUGH STRUCTURE TO EXTERIOR WALL. TERMINATE VIA WALL CAP. EQUAL TO GREENHECK MODEL "WC".
15. ROUTE OUTSIDE AIR DUCT, SIZED PER PLAN, UP THROUGH STRUCTURE TO ROOF. TERMINATE VIA ROOF CAP.
16. PROVIDE (2) 18X10 TYPE "C" TRANSFER GRILLES (120 SQ. IN. MINIMUM FREE AREA) ONE ON HALLWAY SIDE AND ONE FACING LAUNDRY ROOM ABOVE DOOR FOR DRYER MAKEUP.
17. ROUTE 4" Ø OUTSIDE AIR DUCT THROUGH STRUCTURE TO CHASE. ROUTE UP THROUGH CHASE TO EXTERIOR WALL. TERMINATE VIA WALL CAP. EQUAL TO GREENHECK MODEL "WC". HIGH ON WALL. MAINTAIN CODE REQUIRED CLEARANCE FROM ANY EXHAUST DUCT TERMINATIONS.

DRYER VENT CALCULATION		DRYER VENT CALCULATION	
UNIT 13		UNIT 14	
HORIZONTAL LENGTH	6.5	HORIZONTAL LENGTH	3
VERTICAL LENGTH	9	VERTICAL LENGTH	9
# OF 90S	2	# OF 90S	1
# OF 45S	0	# OF 45S	0
TOTAL LENGTH	25.5	TOTAL LENGTH	17
TENANT-PROVIDED DRYER		TENANT-PROVIDED DRYER	



FIRST FLOOR MECHANICAL PLAN | 1
1/4" = 1'-0" | M1.1



CONTRACTOR NOTE
IT IS THE RESPONSIBILITY OF THE CONTRACTOR TO NOTIFY THE ARCHITECT, LANDLORD AND TENANT OF ANY DISCREPANCIES ENCOUNTERED ON THE PLANS OR IN EXISTING SITE CONDITIONS PRIOR TO SUBMISSION OF BID.
BIDDERS ARE TO VISIT THE SITE AND FAMILIARIZE THEMSELVES WITH EXISTING CONDITIONS AND SATISFY THEMSELVES AS TO THE NATURE AND SCOPE OF THE WORK. THE BASE BID SHALL REFLECT MODIFICATIONS TO SYSTEMS AND DEVICES AS REQUIRED BY STATE, LOCAL AND FEDERAL CODES WHETHER INDICATED OR NOT ON CONTRACT DOCUMENTS. THE SUBMISSIONS OF A BID WILL BE EVIDENCE THAT SUCH AN EXAMINATION AND COMPLIANCE WITH GOVERNING CODES/REQUIREMENTS HAS BEEN MADE. LATER CLAIMS FOR LABOR, EQUIPMENT, OR MATERIALS REQUIRED OR FOR DIFFICULTIES ENCOUNTERED WHICH COULD HAVE BEEN FORESEEN HAD AN EXAMINATION AND CODE/REQUIREMENTS REVIEW BEEN MADE, WILL NOT BE ALLOWED.

FIRST FLOOR
MECHANICAL PLAN

M1.1

RUSS ALLEY
1623 - 1625 VINE STREET, 1624 REPUBLIC STREET
(1625 VINE HPTC APPLICATION)
CINCINNATI, OH 45202



ISSUE LOG:
04.02.2023
ISSUE FOR PERMIT
07.14.2023
PERMIT REVISION 1
09.21.2023
CHFA PRELIM. SUBMISSION

NOT FOR
CONSTRUCTION

CITYSTUDIOS
ARCHITECTURE
1148 Main Street
Cincinnati, OH 45202
ph: 513.621.0750
citystudiosarch.com

advantage
STRUCTURAL ENGINEERS
1527 Madison Road
Cincinnati, OH 45206
513.396.8900
www.advantageSE.com

VIXO & VIXO
Civil Engineers, Surveyors, and Landscape Architects
1630 Riverchase Parkway
Cincinnati, OH 45240
www.vixov.com

PE Services
CONSULTING ENGINEERS
9 North Broadway
Lebanon, OH 45046
513-836-3810

GENERAL NOTES:

- A. HATCHED AREAS INDICATED LOWERED CEILINGS. REFER TO ARCHITECTURAL DRAWINGS FOR MORE INFORMATION.

(THESE PLAN NOTES APPLY TO ALL HVAC UNIT PLANS. ALL PLAN NOTES MAY NOT APPLY TO EVERY SHEET.)

PLAN NOTES:

- ROUTE 3/4" CONDENSATE DRAIN LINE TO FLOOR DRAIN IN MECHANICAL CLOSET. PROVIDE CODE REQUIRED AIR GAP. REFER TO PLUMBING PLANS FOR EXACT LOCATION.
- ROUTE 4" DRYER EXHAUST FROM VENT BOX UP THROUGH WALL WITH FIRE CAULK AT TOP PLATE PENETRATION. ROUTE CONCEALED THROUGH STRUCTURE TO EXTERIOR WALL. TERMINATE VIA WALL CAP. EQUAL TO GREENHECK MODEL "WC". REFERENCE DETAIL #8 ON SHEET M5.2.
- ROUTE 4" DRYER EXHAUST FROM VENT BOX UP THROUGH WALL WITH FIRE CAULK AT TOP PLATE PENETRATION. ROUTE CONCEALED THROUGH STRUCTURE TO ROOF. TERMINATE VIA ROOF CAP. MAINTAIN CODE REQUIRED 10'-0" CLEARANCE FROM ANY FRESH AIR INTAKE. REFERENCE DETAIL #8 ON SHEET M5.2.
- ROUTE 4" BATH EXHAUST FROM EF-A CONCEALED THROUGH STRUCTURE TO EXTERIOR WALL. TERMINATE VIA WALL CAP. EQUAL TO GREENHECK MODEL "WC". REFERENCE DETAIL #8 ON SHEET M5.2.
- ROUTE 4" BATH EXHAUST FROM EF-A CONCEALED THROUGH STRUCTURE TO ROOF. TERMINATE VIA ROOF CAP. MAINTAIN CODE REQUIRED 10'-0" CLEARANCE FROM ANY FRESH AIR INTAKE. REFERENCE DETAIL #8 ON SHEET M5.2.
- PROVIDE (2) 18X10 TYPE "C" TRANSFER GRILLES (120 SQ. IN. MINIMUM FREE AREA) ONE ON BEDROOM SIDE AND ONE FACING LAUNDRY ROOM ABOVE DOOR FOR DRYER MAKEUP.
- ROUTE KITCHEN EXHAUST DUCT, SIZED PER PLAN, CONCEALED THROUGH STRUCTURE TO EXTERIOR WALL. TERMINATE VIA WALL CAP. EQUAL TO GREENHECK MODEL "WC". REFERENCE DETAIL #8 ON SHEET M5.2.
- ROUTE KITCHEN EXHAUST DUCT, SIZED PER PLAN, CONCEALED THROUGH STRUCTURE TO ROOF AND TERMINATE VIA ROOF CAP. REFERENCE DETAIL #8 ON SHEET M5.2.
- ROUTE 3" COMBUSTION AIR INTAKE AND VENT FROM GAS FURNACE F-01 CONCEALED THROUGH STRUCTURE TO CHASE. ROUTE UP THROUGH CHASE TO THE EXTERIOR WALL. TERMINATE VIA MANUFACTURER SPECIFIC CONCENTRIC VENT KIT.
- ROUTE 3/4" CONDENSATE DRAIN LINE TO WASHER BOX WITHIN WALL BEHIND WASHER/DRYER. ALL CONDENSATE DRAIN LINE TO BE CONCEALED WITHIN WALL. REFER TO PLUMBING PLANS FOR EXACT LOCATION. PROVIDE CODE REQUIRED AIR GAP.
- ROUTE 4" DRYER EXHAUST FROM VENT BOX UP THROUGH WALL AND TO CHASE TO THE FIRST FLOOR. ON FIRST FLOOR, ROUTE CONCEALED THROUGH STRUCTURE TO THE EXTERIOR WALL. TERMINATE VIA WALL CAP. EQUAL TO GREENHECK MODEL "WC". MINIMUM OF 12" ABOVE GRADE.
- ROUTE OUTSIDE AIR DUCT THROUGH CEILING MEMBRANE. ROUTE CONCEALED THROUGH STRUCTURE TO ROOF. TERMINATE VIA ROOF CAP. MAINTAIN CODE REQUIRED 10'-0" CLEARANCE FROM ANY EXHAUST DUCT PENETRATION. PROVIDE MOTORIZED DAMPER AND SET TO VALVES INDICATED PER OUTSIDE AIR SCHEDULES ON SHEET M6.1. REFERENCE DETAIL #8 ON SHEET M5.2.
- ROUTE 3/4" CONDENSATE DRAIN FROM GAS FURNACE F-01 TO NEAREST FLOOR DRAIN. PROVIDE CODE REQUIRED AIR GAP. REFER TO PLUMBING PLANS FOR EXACT LOCATION.
- ROUTE EXHAUST DUCT, SIZED PER PLAN, CONCEALED THROUGH STRUCTURE TO EXTERIOR WALL. TERMINATE VIA WALL CAP. EQUAL TO GREENHECK MODEL "WC".
- ROUTE OUTSIDE AIR DUCT, SIZED PER PLAN, UP THROUGH STRUCTURE TO ROOF. TERMINATE VIA ROOF CAP.
- PROVIDE (2) 18X10 TYPE "C" TRANSFER GRILLES (120 SQ. IN. MINIMUM FREE AREA) ONE ON HALLWAY SIDE AND ONE FACING LAUNDRY ROOM ABOVE DOOR FOR DRYER MAKEUP.
- ROUTE 4" OUTSIDE AIR DUCT THROUGH STRUCTURE TO CHASE. ROUTE UP THROUGH CHASE TO EXTERIOR WALL. TERMINATE VIA WALL CAP. EQUAL TO GREENHECK MODEL "WC". HIGH ON WALL. MAINTAIN CODE REQUIRED CLEARANCE FROM ANY EXHAUST DUCT TERMINATIONS.

NOT FOR CONSTRUCTION

CITYSTUDIOS ARCHITECTURE
1148 Main Street
Cincinnati, OH 45202
ph: 513.621.0750
citystudiosarch.com

advantage STRUCTURAL ENGINEERS
1527 Madison Road
Cincinnati, OH 45206
513.396.8900
www.advantageSE.com

VIOX & VIOX
Civil Engineers, Surveyors, and Landscape Architects
1650 Springdale Avenue, Cincinnati, OH 45240
PH: 513.763.1111 FAX: 513.763.1110
www.vioxandviox.com

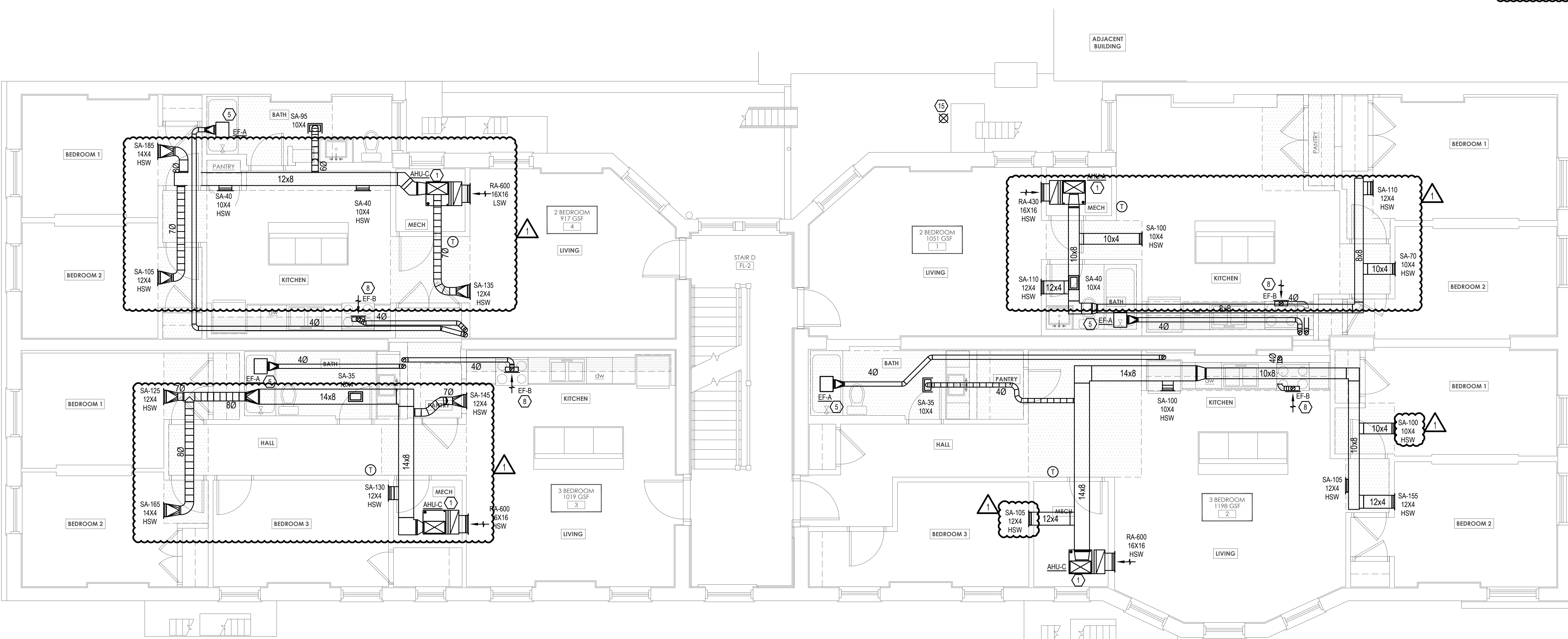
PE Energy Services
CONSULTING FOR THE MIDDLE WEST
1-800-828-2810
www.pest.com
9 North Broadway
Lebanon, OH 45046
513-836-3810

RUSS ALLEY
1623 - 1625 VINE STREET, 1624 REPUBLIC STREET
(1625 VINE HPTC APPLICATION)
CINCINNATI, OH 45202

3CDC CENTER CITY DEVELOPMENT CORPORATION

ISSUE LOG:
04.02.2023
ISSUE FOR PERMIT
07.14.2023
PERMIT REVISION 1
09.21.2023
CHFA PRELIM. SUBMISSION

CONTRACTOR NOTE
IT IS THE RESPONSIBILITY OF THE CONTRACTOR TO NOTIFY THE ARCHITECT, LANDLORD AND TENANT OF ANY DISCREPANCIES ENCOUNTERED ON THE PLANS OR IN EXISTING SITE CONDITIONS PRIOR TO SUBMISSION OF BID.
BIDDERS ARE TO VISIT THE SITE AND FAMILIARIZE THEMSELVES WITH EXISTING CONDITIONS AND SATISFY THEMSELVES AS TO THE NATURE AND SCOPE OF THE WORK. THE BASE BID SHALL REFLECT MODIFICATIONS TO SYSTEMS AND DEVICES AS REQUIRED BY STATE, LOCAL AND FEDERAL CODES WHETHER INDICATED OR NOT ON CONTRACT DOCUMENTS. THE SUBMISSIONS OF A BID WILL BE EVIDENCE THAT SUCH AN EXAMINATION AND COMPLIANCE WITH GOVERNING CODES/REQUIREMENTS HAS BEEN MADE. LATER CLAIMS FOR LABOR, EQUIPMENT, OR MATERIALS REQUIRED OR FOR DIFFICULTIES ENCOUNTERED WHICH COULD HAVE BEEN FORESEEN HAD AN EXAMINATION AND CODE/REQUIREMENTS REVIEW BEEN MADE, WILL NOT BE ALLOWED.



SECOND FLOOR MECHANICAL PLAN | 1
1/4" = 1'-0" | M1.2



SECOND FLOOR MECHANICAL PLAN

M1.2

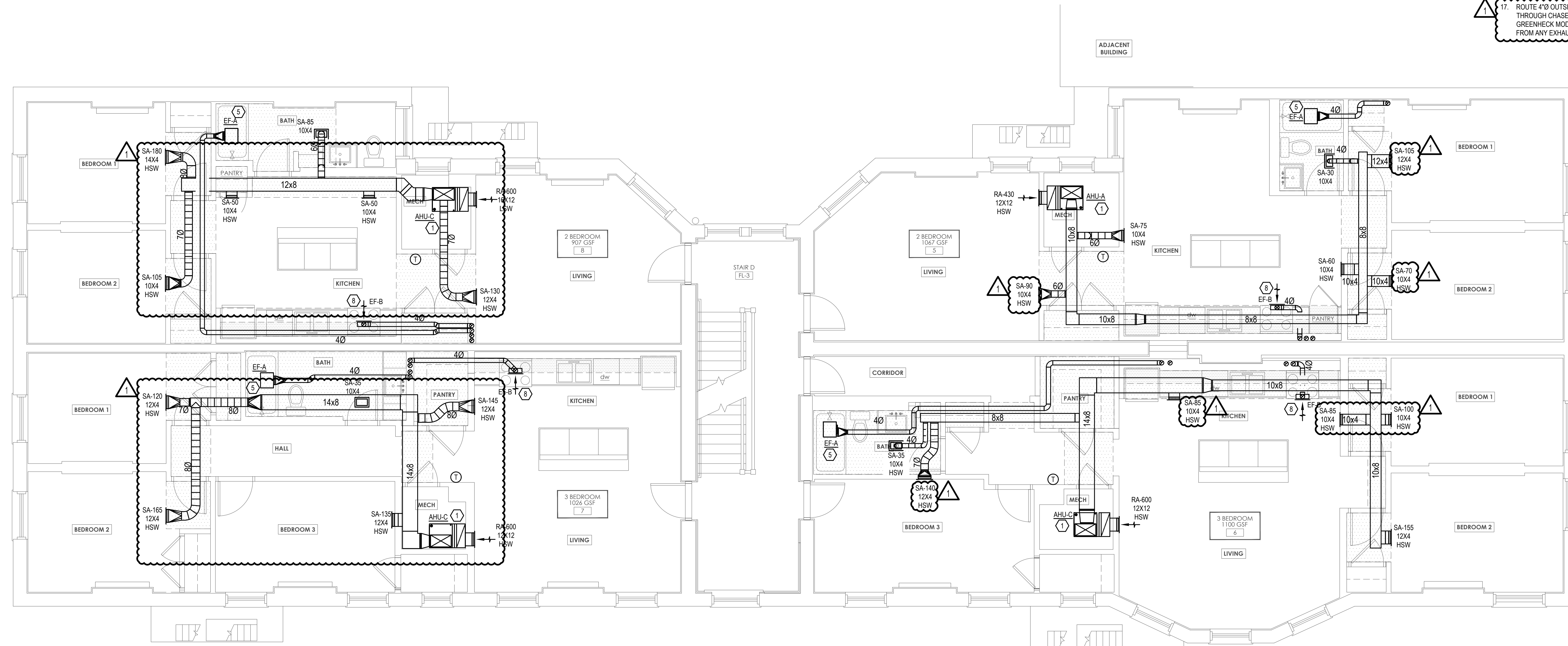
GENERAL NOTES:

- A. HATCHED AREAS INDICATED LOWERED CEILINGS. REFER TO ARCHITECTURAL DRAWINGS FOR MORE INFORMATION.

(THESE PLAN NOTES APPLY TO ALL HVAC UNIT PLANS. ALL PLAN NOTES MAY NOT APPLY TO EVERY SHEET.)

PLAN NOTES:

- ROUTE 3/4" CONDENSATE DRAIN LINE TO FLOOR DRAIN IN MECHANICAL CLOSET. PROVIDE CODE REQUIRED AIR GAP. REFER TO PLUMBING PLANS FOR EXACT LOCATION.
- ROUTE 4" DRYER EXHAUST FROM VENT BOX UP THROUGH WALL WITH FIRE CAULK AT TOP PLATE PENETRATION. ROUTE CONCEALED THROUGH STRUCTURE TO EXTERIOR WALL. TERMINATE VIA WALL CAP. EQUAL TO GREENHECK MODEL "WC". REFERENCE DETAIL #8 ON SHEET M5.2.
- ROUTE 4" DRYER EXHAUST FROM VENT BOX UP THROUGH WALL WITH FIRE CAULK AT TOP PLATE PENETRATION. ROUTE CONCEALED THROUGH STRUCTURE TO ROOF. TERMINATE VIA ROOF CAP. MAINTAIN CODE REQUIRED 10'-0" CLEARANCE FROM ANY FRESH AIR INTAKE. REFERENCE DETAIL #8 ON SHEET M5.2.
- ROUTE 4" BATH EXHAUST FROM EF-A CONCEALED THROUGH STRUCTURE TO EXTERIOR WALL. TERMINATE VIA WALL CAP. EQUAL TO GREENHECK MODEL "WC". REFERENCE DETAIL #8 ON SHEET M5.2.
- ROUTE 4" BATH EXHAUST FROM EF-A CONCEALED THROUGH STRUCTURE TO ROOF. TERMINATE VIA ROOF CAP. MAINTAIN CODE REQUIRED 10'-0" CLEARANCE FROM ANY FRESH AIR INTAKE. REFERENCE DETAIL #8 ON SHEET M5.2.
- PROVIDE (2) 18X10 TYPE "C" TRANSFER GRILLES (120 SQ. IN. MINIMUM FREE AREA) ONE ON BEDROOM SIDE AND ONE FACING LAUNDRY ROOM ABOVE DOOR FOR DRYER MAKEUP.
- ROUTE KITCHEN EXHAUST DUCT, SIZED PER PLAN, CONCEALED THROUGH STRUCTURE TO EXTERIOR WALL. TERMINATE VIA WALL CAP. EQUAL TO GREENHECK MODEL "WC". REFERENCE DETAIL #8 ON SHEET M5.2.
- ROUTE KITCHEN EXHAUST DUCT, SIZED PER PLAN, CONCEALED THROUGH STRUCTURE TO ROOF AND TERMINATE VIA ROOF CAP. REFERENCE DETAIL #8 ON SHEET M5.2.
- ROUTE 3" Ø COMBUSTION AIR INTAKE AND VENT FROM GAS FURNACE F-01 CONCEALED THROUGH STRUCTURE TO CHASE. ROUTE UP THROUGH CHASE TO THE EXTERIOR WALL. TERMINATE VIA MANUFACTURER SPECIFIC CONCENTRIC VENT KIT.
- ROUTE 3/4" Ø CONDENSATE DRAIN LINE TO WASHER DRYER BOX WITHIN WALL BEHIND WASHER DRYER. ALL CONDENSATE DRAIN LINE TO BE CONCEALED WITHIN WALL. REFER TO PLUMBING PLANS FOR EXACT LOCATION. PROVIDE CODE REQUIRED AIR GAP.
- ROUTE 4" DRYER EXHAUST FROM VENT BOX UP THROUGH WALL AND TO CHASE TO THE FIRST FLOOR. ON FIRST FLOOR, ROUTE CONCEALED THROUGH STRUCTURE TO THE EXTERIOR WALL. TERMINATE VIA WALL CAP. EQUAL TO GREENHECK MODEL "WC". MINIMUM OF 12" ABOVE GRADE.
- ROUTE OUTSIDE AIR DUCT THROUGH CEILING MEMBRANE. ROUTE CONCEALED THROUGH STRUCTURE TO ROOF. TERMINATE VIA ROOF CAP. MAINTAIN CODE REQUIRED 10'-0" CLEARANCE FROM ANY EXHAUST DUCT PENETRATION. PROVIDE MOTORIZED DAMPER AND SET TO VALVES INDICATED PER OUTSIDE AIR SCHEDULES ON SHEET M6.1. REFERENCE DETAIL #8 ON SHEET M5.2.
- ROUTE 3/4" Ø CONDENSATE DRAIN FROM GAS FURNACE F-01 TO NEAREST FLOOR DRAIN. PROVIDE CODE REQUIRED AIR GAP. REFER TO PLUMBING PLANS FOR EXACT LOCATION.
- ROUTE EXHAUST DUCT, SIZED PER PLAN, CONCEALED THROUGH STRUCTURE TO EXTERIOR WALL. TERMINATE VIA WALL CAP. EQUAL TO GREENHECK MODEL "WC".
- ROUTE OUTSIDE AIR DUCT, SIZED PER PLAN, UP THROUGH STRUCTURE TO ROOF. TERMINATE VIA ROOF CAP.
- PROVIDE (2) 18X10 TYPE "C" TRANSFER GRILLES (120 SQ. IN. MINIMUM FREE AREA) ONE ON HALLWAY SIDE AND ONE FACING LAUNDRY ROOM ABOVE DOOR FOR DRYER MAKEUP.
- ROUTE 4" OUTSIDE AIR DUCT THROUGH STRUCTURE TO CHASE. ROUTE UP THROUGH CHASE TO EXTERIOR WALL. TERMINATE VIA WALL CAP. EQUAL TO GREENHECK MODEL "WC". HIGH ON WALL. MAINTAIN CODE REQUIRED CLEARANCE FROM ANY EXHAUST DUCT TERMINATIONS.



THIRD FLOOR MECHANICAL PLAN | 1
1/4" = 1'-0" | M1.3



CONTRACTOR NOTE

IT IS THE RESPONSIBILITY OF THE CONTRACTOR TO NOTIFY THE ARCHITECT, LANDLORD AND TENANT OF ANY DISCREPANCIES ENCOUNTERED ON THE PLANS OR IN EXISTING SITE CONDITIONS PRIOR TO SUBMISSION OF BID. BIDDERS ARE TO VISIT THE SITE AND FAMILIARIZE THEMSELVES WITH EXISTING CONDITIONS AND SATISFY THEMSELVES AS TO THE NATURE AND SCOPE OF THE WORK. THE BASE BID SHALL REFLECT MODIFICATIONS TO SYSTEMS AND DEVICES AS REQUIRED BY STATE, LOCAL AND FEDERAL CODES WHETHER INDICATED OR NOT ON CONTRACT DOCUMENTS. THE SUBMISSIONS OF A BID WILL BE EVIDENCE THAT SUCH AN EXAMINATION AND COMPLIANCE WITH GOVERNING CODES/REQUIREMENTS HAS BEEN MADE. LATER CLAIMS FOR LABOR, EQUIPMENT, OR MATERIALS REQUIRED OR FOR DIFFICULTIES ENCOUNTERED WHICH COULD HAVE BEEN FORESEEN HAD AN EXAMINATION AND CODE/REQUIREMENTS REVIEW BEEN MADE, WILL NOT BE ALLOWED.

NOT FOR CONSTRUCTION

CITYSTUDIOS ARCHITECTURE
1148 Main Street
Cincinnati, OH 45202
ph: 513.621.0750
citystudiosarch.com

advantage STRUCTURAL ENGINEERS
1527 Madison Road
Cincinnati, OH 45206
513.396.8900
www.advantageSE.com

VIXO&VIXO
Civil Engineers, Surveyors, and Landscape Architects
1650 Springwood Avenue, Cincinnati, OH 45240
Phone: (513) 233-1200 • Fax: (513) 233-1201 • www.vixov.com

PE Environmental Services
CONSULTING FOR THE WESTERN
14913-Broadway
9 North Broadway
Lebanon, OH 45046
513-836-3810

RUSS ALLEY
1623 - 1625 VINE STREET, 1624 REPUBLIC STREET
(1625 VINE HPTC APPLICATION)
CINCINNATI, OH 45202

3CDC CENTER CITY DEVELOPMENT CORPORATION

ISSUE LOG:
04.02.2023 ISSUE FOR PERMIT
07.14.2023 PERMIT REVISION 1
09.21.2023 CHFA PRELIM. SUBMISSION

THIRD FLOOR MECHANICAL PLAN

M1.3

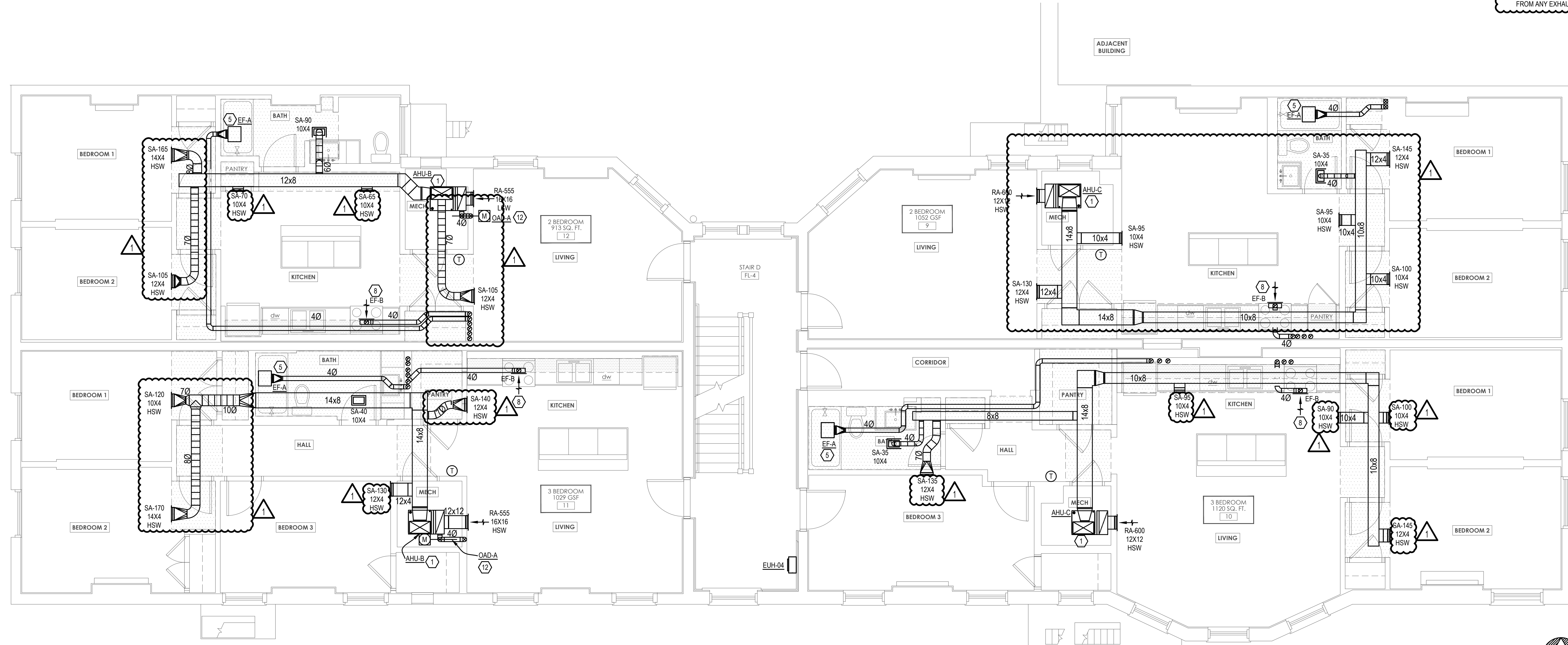
GENERAL NOTES:

- A. HATCHED AREAS INDICATED LOWERED CEILINGS. REFER TO ARCHITECTURAL DRAWINGS FOR MORE INFORMATION.

(THESE PLAN NOTES APPLY TO ALL HVAC UNIT PLANS. ALL PLAN NOTES MAY NOT APPLY TO EVERY SHEET.)

PLAN NOTES:

1. ROUTE 3/4" CONDENSATE DRAIN LINE TO FLOOR DRAIN IN MECHANICAL CLOSET. PROVIDE CODE REQUIRED AIR GAP. REFER TO PLUMBING PLANS FOR EXACT LOCATION.
2. ROUTE 4" DRYER EXHAUST FROM VENT BOX UP THROUGH WALL WITH FIRE CAULK AT TOP PLATE PENETRATION. ROUTE CONCEALED THROUGH STRUCTURE TO EXTERIOR WALL. TERMINATE VIA WALL CAP. EQUAL TO GREENHECK MODEL "WC". REFERENCE DETAIL #8 ON SHEET M5.2.
3. ROUTE 4" DRYER EXHAUST FROM VENT BOX UP THROUGH WALL WITH FIRE CAULK AT TOP PLATE PENETRATION. ROUTE CONCEALED THROUGH STRUCTURE TO ROOF. TERMINATE VIA ROOF CAP. MAINTAIN CODE REQUIRED 10'-0" CLEARANCE FROM ANY FRESH AIR INTAKE. REFERENCE DETAIL #8 ON SHEET M5.2.
4. ROUTE 4" BATH EXHAUST FROM EF-A CONCEALED THROUGH STRUCTURE TO EXTERIOR WALL. TERMINATE VIA WALL CAP. EQUAL TO GREENHECK MODEL "WC". REFERENCE DETAIL #8 ON SHEET M5.2.
5. ROUTE 4" BATH EXHAUST FROM EF-A CONCEALED THROUGH STRUCTURE TO ROOF. TERMINATE VIA ROOF CAP. MAINTAIN CODE REQUIRED 10'-0" CLEARANCE FROM ANY FRESH AIR INTAKE. REFERENCE DETAIL #8 ON SHEET M5.2.
6. PROVIDE (2) 18X10 TYPE "C" TRANSFER GRILLES (120 SQ. IN. MINIMUM FREE AREA) ONE ON BEDROOM SIDE AND ONE FACING LAUNDRY ROOM ABOVE DOOR FOR DRYER MAKEUP.
7. ROUTE KITCHEN EXHAUST DUCT, SIZED PER PLAN, CONCEALED THROUGH STRUCTURE TO EXTERIOR WALL. TERMINATE VIA WALL CAP. EQUAL TO GREENHECK MODEL "WC". REFERENCE DETAIL #8 ON SHEET M5.2.
8. ROUTE KITCHEN EXHAUST DUCT, SIZED PER PLAN, CONCEALED THROUGH STRUCTURE TO ROOF AND TERMINATE VIA ROOF CAP. REFERENCE DETAIL #8 ON SHEET M5.2.
9. ROUTE 3" COMBUSTION AIR INTAKE AND VENT FROM GAS FURNACE F-01 CONCEALED THROUGH STRUCTURE TO CHASE. ROUTE UP THROUGH CHASE TO THE EXTERIOR WALL. TERMINATE VIA MANUFACTURER SPECIFIC CONCENTRIC VENT KIT.
10. ROUTE 3/4" CONDENSATE DRAIN LINE TO WASHER BOX WITHIN WALL BEHIND WASHER/DRYER. ALL CONDENSATE DRAIN LINE TO BE CONCEALED WITHIN WALL. REFER TO PLUMBING PLANS FOR EXACT LOCATION. PROVIDE CODE REQUIRED AIR GAP.
11. ROUTE 4" DRYER EXHAUST FROM VENT BOX UP THROUGH WALL AND TO CHASE TO THE FIRST FLOOR. ON FIRST FLOOR, ROUTE CONCEALED THROUGH STRUCTURE TO THE EXTERIOR WALL. TERMINATE VIA WALL CAP. EQUAL TO GREENHECK MODEL "WC". MINIMUM OF 12" ABOVE GRADE.
12. ROUTE OUTSIDE AIR DUCT THROUGH CEILING MEMBRANE. ROUTE CONCEALED THROUGH STRUCTURE TO ROOF. TERMINATE VIA ROOF CAP. MAINTAIN CODE REQUIRED 10'-0" CLEARANCE FROM ANY EXHAUST DUCT PENETRATION. PROVIDE MOTORIZED DAMPER AND SET TO VALUES INDICATED PER OUTSIDE AIR SCHEDULES ON SHEET M6.1. REFERENCE DETAIL #8 ON SHEET M5.2.
13. ROUTE 3/4" CONDENSATE DRAIN FROM GAS FURNACE F-01 TO NEAREST FLOOR DRAIN. PROVIDE CODE REQUIRED AIR GAP. REFER TO PLUMBING PLANS FOR EXACT LOCATION.
14. ROUTE EXHAUST DUCT, SIZED PER PLAN, CONCEALED THROUGH STRUCTURE TO EXTERIOR WALL. TERMINATE VIA WALL CAP. EQUAL TO GREENHECK MODEL "WC".
15. ROUTE OUTSIDE AIR DUCT, SIZED PER PLAN, UP THROUGH STRUCTURE TO ROOF. TERMINATE VIA ROOF CAP.
16. PROVIDE (2) 18X10 TYPE "C" TRANSFER GRILLES (120 SQ. IN. MINIMUM FREE AREA) ONE ON HALLWAY SIDE AND ONE FACING LAUNDRY ROOM ABOVE DOOR FOR DRYER MAKEUP.
17. ROUTE 4" OUTSIDE AIR DUCT THROUGH STRUCTURE TO CHASE. ROUTE UP THROUGH CHASE TO EXTERIOR WALL. TERMINATE VIA WALL CAP. EQUAL TO GREENHECK MODEL "WC". HIGH ON WALL. MAINTAIN CODE REQUIRED CLEARANCE FROM ANY EXHAUST DUCT TERMINATIONS.



FOURTH FLOOR MECHANICAL PLAN | 1
1/4" = 1'-0" | M1.4



CONTRACTOR NOTE

IT IS THE RESPONSIBILITY OF THE CONTRACTOR TO NOTIFY THE ARCHITECT, LANDLORD AND TENANT OF ANY DISCREPANCIES ENCOUNTERED ON THE PLANS OR IN EXISTING SITE CONDITIONS PRIOR TO SUBMISSION OF BID.

BIDDERS ARE TO VISIT THE SITE AND FAMILIARIZE THEMSELVES WITH EXISTING CONDITIONS AND SATISFY THEMSELVES AS TO THE NATURE AND SCOPE OF THE WORK. THE BASE BID SHALL REFLECT MODIFICATIONS TO SYSTEMS AND DEVICES AS REQUIRED BY STATE, LOCAL AND FEDERAL CODES WHETHER INDICATED OR NOT ON CONTRACT DOCUMENTS. THE SUBMISSIONS OF A BID WILL BE EVIDENCE THAT SUCH AN EXAMINATION AND COMPLIANCE WITH GOVERNING CODES/REQUIREMENTS HAS BEEN MADE. LATER CLAIMS FOR LABOR, EQUIPMENT, OR MATERIALS REQUIRED OR FOR DIFFICULTIES ENCOUNTERED WHICH COULD HAVE BEEN FORESEEN HAD AN EXAMINATION AND CODE/REQUIREMENTS REVIEW BEEN MADE, WILL NOT BE ALLOWED.

NOT FOR CONSTRUCTION

CITYSTUDIOS ARCHITECTURE
1148 Main Street
Cincinnati, OH 45202
ph: 513.621.0750
citystudiosarch.com

advantage STRUCTURAL ENGINEERS
1527 Madison Road
Cincinnati, OH 45206
513.396.8900
www.advantageSE.com

VIXO&VIXO
Civil Engineers, Surveyors, and Landscape Architects
1650 Blue Ash Boulevard, Suite 1010
Blue Ash, OH 45215
Phone: 937.233.1234 • Fax: 937.233.1234 • www.vixov.com

PE CONSULTANTS
1493-82nd Street
Cincinnati, OH 45244
9 North Broadway
Lebanon, OH 45046
513-836-3810

RUSS ALLEY
1623 - 1625 VINE STREET, 1624 REPUBLIC STREET
(1625 VINE HPTC APPLICATION)
CINCINNATI, OH 45202

3CDC CENTER CITY DEVELOPMENT CORPORATION

ISSUE LOG:
04.02.2023
ISSUE FOR PERMIT
07.14.2023
PERMIT REVISION 1
09.21.2023
CHFA PRELIM. SUBMISSION

FOURTH FLOOR MECHANICAL PLAN

M1.4

PLAN NOTES:

1. ROUTE EXHAUST DUCTS CONCEALED WITH STRUCTURE TO ROOF. TERMINATE VIA ROOF CAP. REFERENCE DETAIL #8 ON SHEET M5.2
2. REFER TO ROOF PLAN ON SHEET M1.6 FOR ADDITIONAL ROOF INFORMATION.

NOT FOR CONSTRUCTION

CITYSTUDIOS
ARCHITECTURE
1148 Main Street
Cincinnati, OH 45202
ph. 513.621.0750
citystudiosarch.com

advantage
STRUCTURAL ENGINEERS
1527 Madison Road
Cincinnati, OH 45206
513.396.8900
www.advantageSE.com

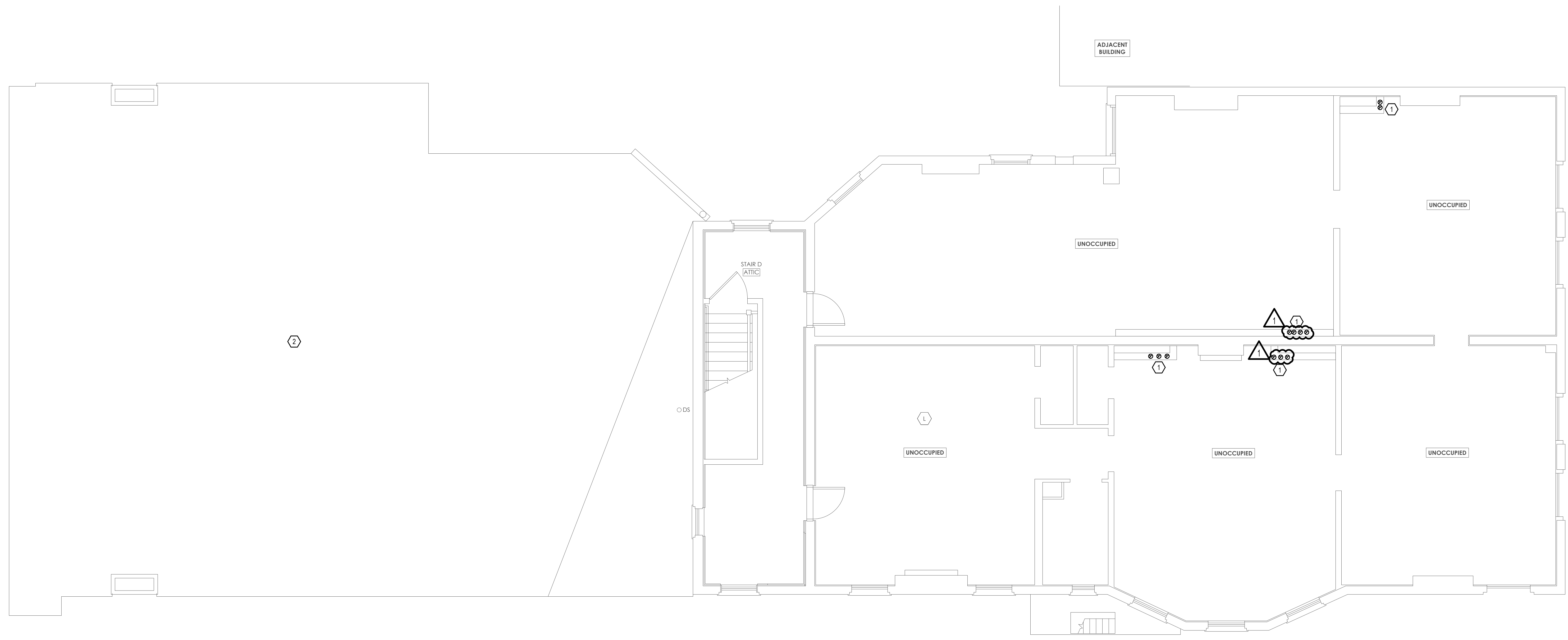
VIOX & VIOX
Civil Engineer, Surveyor, and Landscape Architect
1633 Sycamore Avenue, Cincinnati, OH 45202
PH: 513-263-1200 FAX: 513-263-1204 www.viox.com

PE Engineering
CONSULTING FOR THE BUILDING INDUSTRY
1-513-836-3810
www.pe-engineering.com
9 North Broadway
Lebanon, OH 45046
513-836-3810

RUSS ALLEY
1623 - 1625 VINE STREET, 1624 REPUBLIC STREET
(1625 VINE HPTC APPLICATION)
CINCINNATI, OH 45202

3CDC CINCINNATI CENTER CITY DEVELOPMENT CORPORATION

ISSUE LOG:
04.02.2023
ISSUE FOR PERMIT
07.14.2023
PERMIT REVISION 1
09.21.2023
CHFA PRELIM. SUBMISSION



ATTIC MECHANICAL PLAN | 1
1/4" = 1'-0" | M1.5



CONTRACTOR NOTE
IT IS THE RESPONSIBILITY OF THE CONTRACTOR TO NOTIFY THE ARCHITECT, LANDLORD AND TENANT OF ANY DISCREPANCIES ENCOUNTERED ON THE PLANS OR IN EXISTING SITE CONDITIONS PRIOR TO SUBMISSION OF BID.

BIDDERS ARE TO VISIT THE SITE AND FAMILIARIZE THEMSELVES WITH EXISTING CONDITIONS AND SATISFY THEMSELVES AS TO THE NATURE AND SCOPE OF THE WORK. THE BASE BID SHALL REFLECT MODIFICATIONS TO SYSTEMS AND DEVICES AS REQUIRED BY STATE, LOCAL AND FEDERAL CODES WHETHER INDICATED OR NOT ON CONTRACT DOCUMENTS. THE SUBMISSIONS OF A BID WILL BE EVIDENCE THAT SUCH AN EXAMINATION AND COMPLIANCE WITH GOVERNING CODES/REQUIREMENTS HAS BEEN MADE. LATER CLAIMS FOR LABOR, EQUIPMENT, OR MATERIALS REQUIRED OR FOR DIFFICULTIES ENCOUNTERED WHICH COULD HAVE BEEN FORESEEN HAD AN EXAMINATION AND CODE/REQUIREMENTS REVIEW BEEN MADE, WILL NOT BE ALLOWED.

ATTIC MECHANICAL PLAN

M1.5

PLAN NOTES:

1. EXHAUST DUCTS TERMINATE VIA ROOF CAP. OFFSET DUCT WITHIN STRUCTURE TO MAINTAIN CODE REQUIRED 10'-0" CLEARANCE FROM ANY OUTSIDE AIR INTAKE DUCTS.
2. OUTSIDE AIR DUCTS TERMINATE VIA ROOF CAP. OFFSET DUCT WITHIN STRUCTURE TO MAINTAIN CODE REQUIRED 10'-0" CLEARANCE FROM ANY EXHAUST DUCTS.
3. MAINTAIN 10'-0" CLEARANCE FOR ALL MECHANICAL EQUIPMENT FROM ROOF EDGE.

NOT FOR CONSTRUCTION

CITYSTUDIOS ARCHITECTURE
1148 Main Street
Cincinnati, OH 45202
ph. 513.621.0750
citystudiosarch.com

advantage
STRUCTURAL ENGINEERS
1527 Madison Road
Cincinnati, OH 45206
513.396.8900
www.advantageSE.com

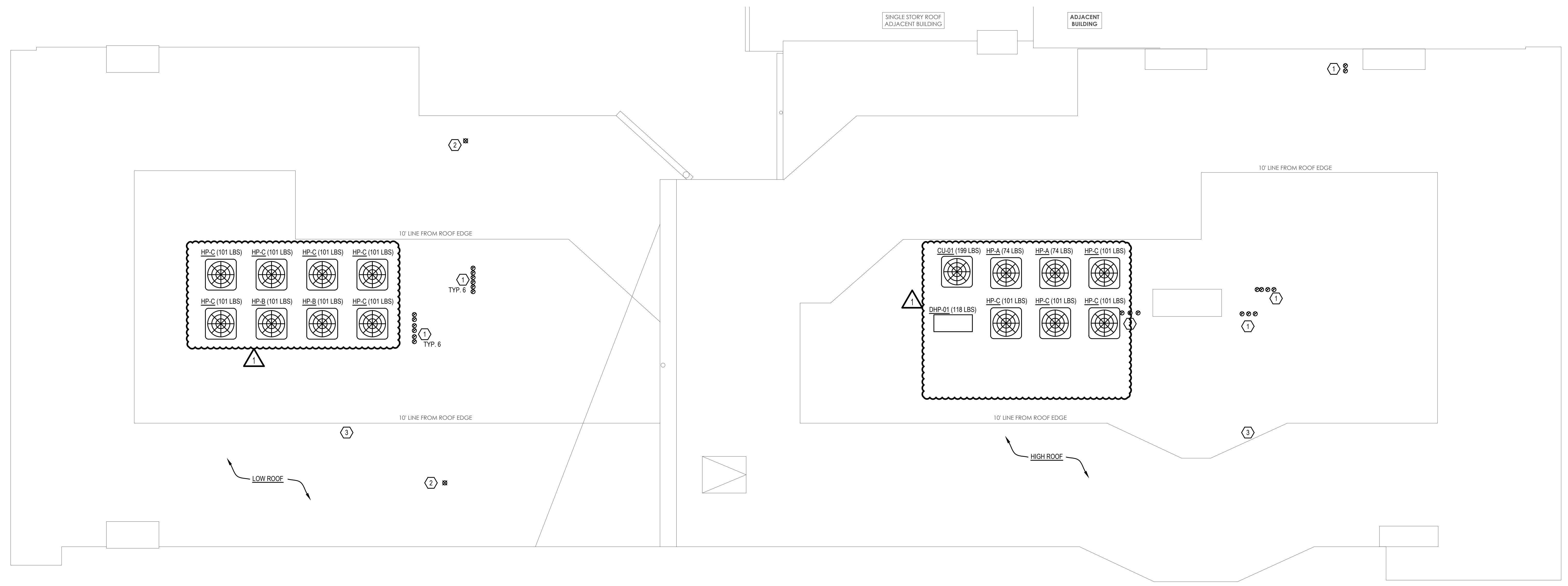
VIOX & VIOX
Civil Engineers, Surveyors, and Landscape Architects
1633 S. Main Street, Suite 100
Lebanon, OH 45031
www.viox.com

PE Services
CONSULTING FOR THE BUILDING INDUSTRY
1-813-888-9910
www.pe-services.com
9 North Broadway
Lebanon, OH 45046
513-836-3810

RUSS ALLEY
1623 - 1625 VINE STREET, 1624 REPUBLIC STREET
(1625 VINE HPTC APPLICATION)
CINCINNATI, OH 45202

3CDC CINCINNATI CENTER CITY DEVELOPMENT CORPORATION

ISSUE LOG:
06.02.2023
ISSUE FOR PERMIT
07.14.2023
PERMIT REVISION 1
09.21.2023
CHFA PRELIM. SUBMISSION



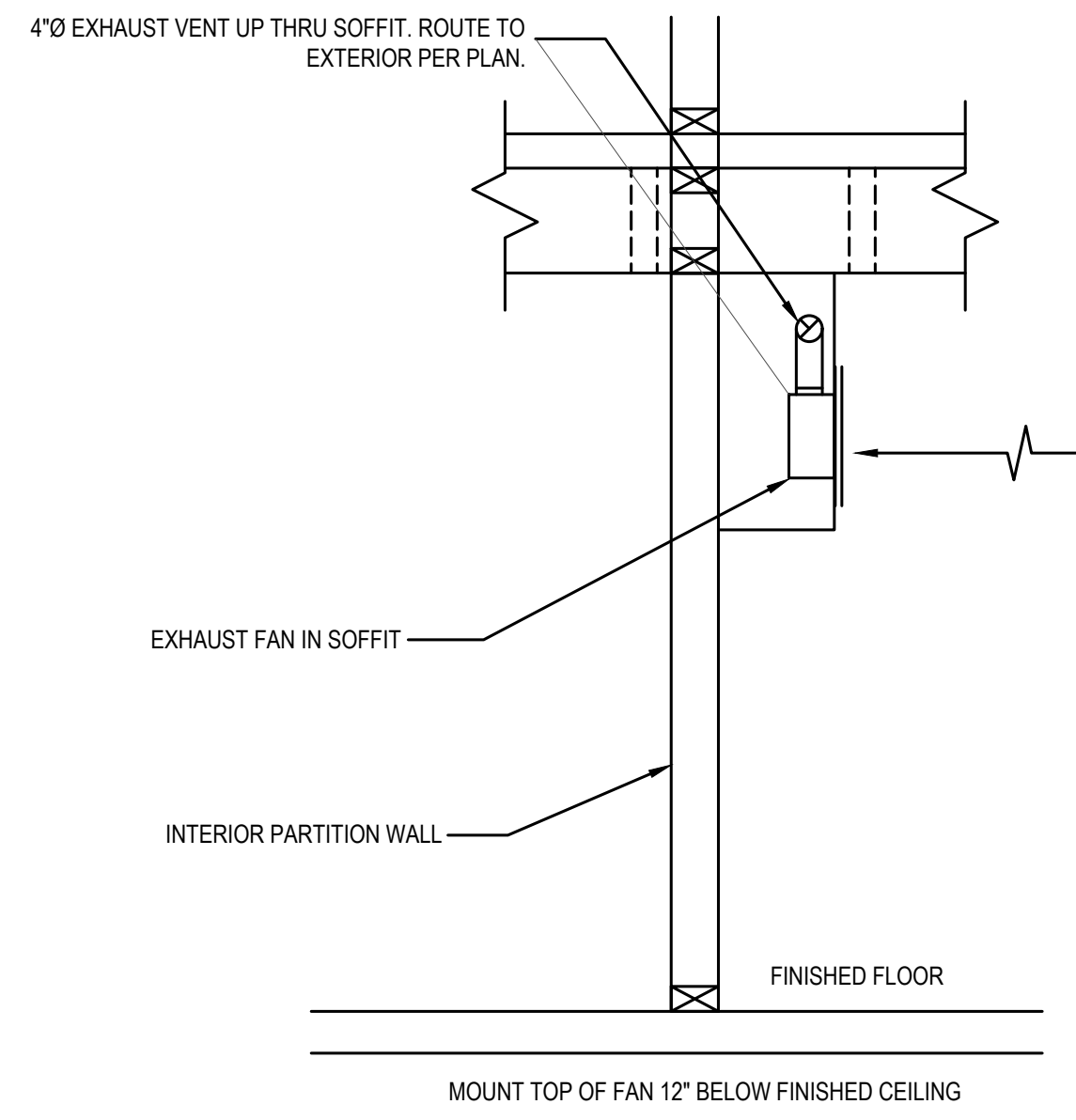
ROOF MECHANICAL PLAN | 1
1/4" = 1'-0" | M1.6



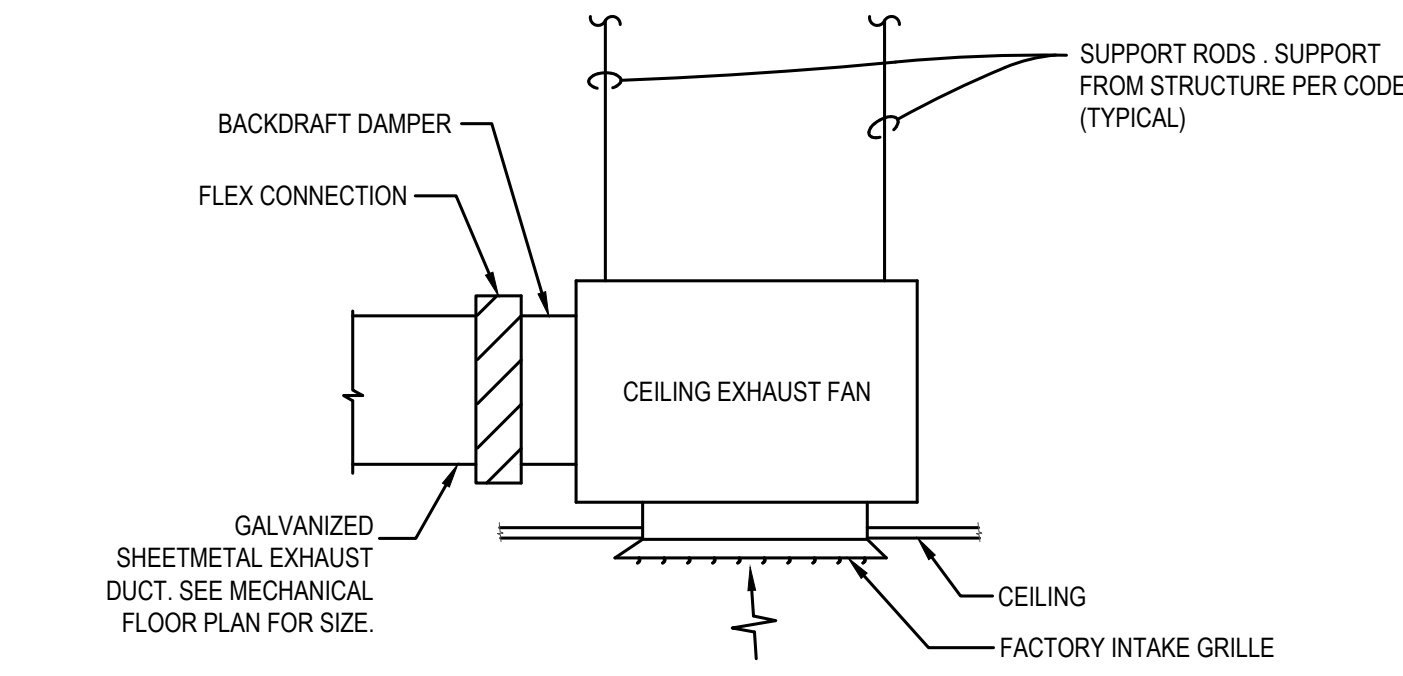
CONTRACTOR NOTE
IT IS THE RESPONSIBILITY OF THE CONTRACTOR TO NOTIFY THE ARCHITECT, LANDLORD AND TENANT OF ANY DISCREPANCIES ENCOUNTERED ON THE PLANS OR IN EXISTING SITE CONDITIONS PRIOR TO SUBMISSION OF BID.
BIDDERS ARE TO VISIT THE SITE AND FAMILIARIZE THEMSELVES WITH EXISTING CONDITIONS AND SATISFY THEMSELVES AS TO THE NATURE AND SCOPE OF THE WORK. THE BASE BID SHALL REFLECT MODIFICATIONS TO SYSTEMS AND DEVICES AS REQUIRED BY STATE, LOCAL AND FEDERAL CODES WHETHER INDICATED OR NOT ON CONTRACT DOCUMENTS. THE SUBMISSIONS OF A BID WILL BE EVIDENCE THAT SUCH AN EXAMINATION AND COMPLIANCE WITH GOVERNING CODES/REQUIREMENTS HAS BEEN MADE. LATER CLAIMS FOR LABOR, EQUIPMENT, OR MATERIALS REQUIRED OR FOR DIFFICULTIES ENCOUNTERED WHICH COULD HAVE BEEN FORESEEN HAD AN EXAMINATION AND CODES/REQUIREMENTS REVIEW BEEN MADE, WILL NOT BE ALLOWED.

ROOF MECHANICAL PLAN

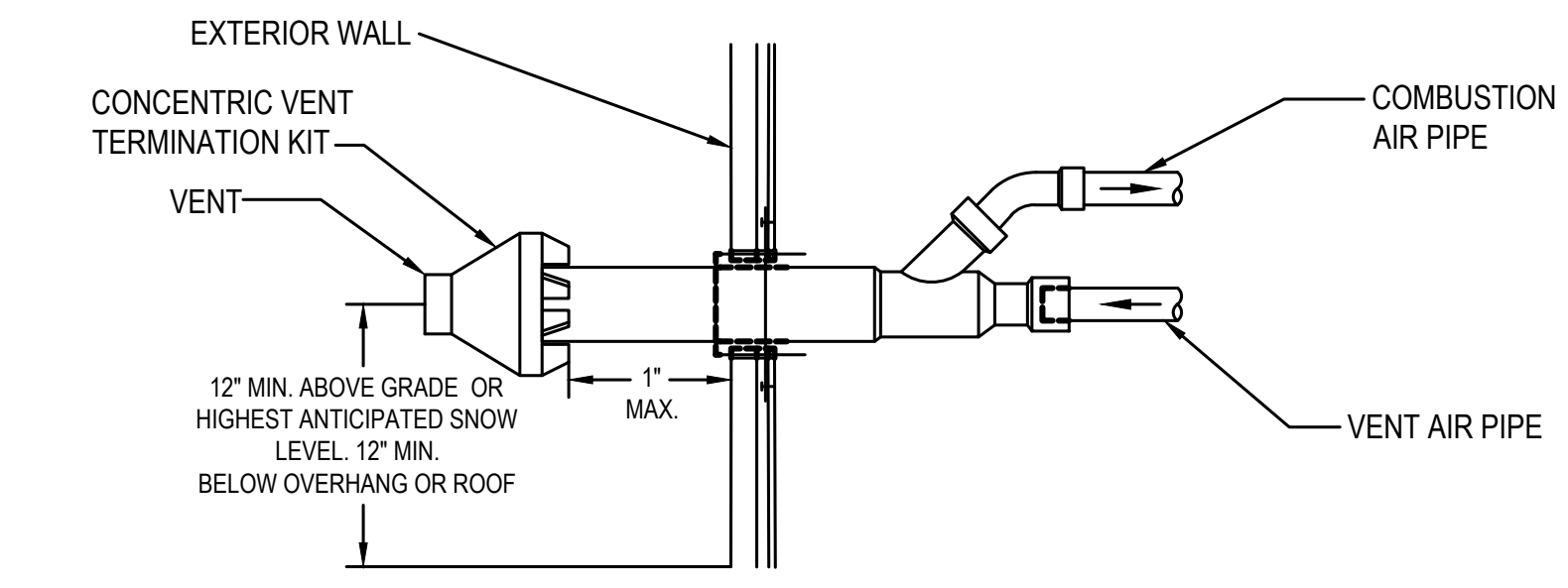
M1.6



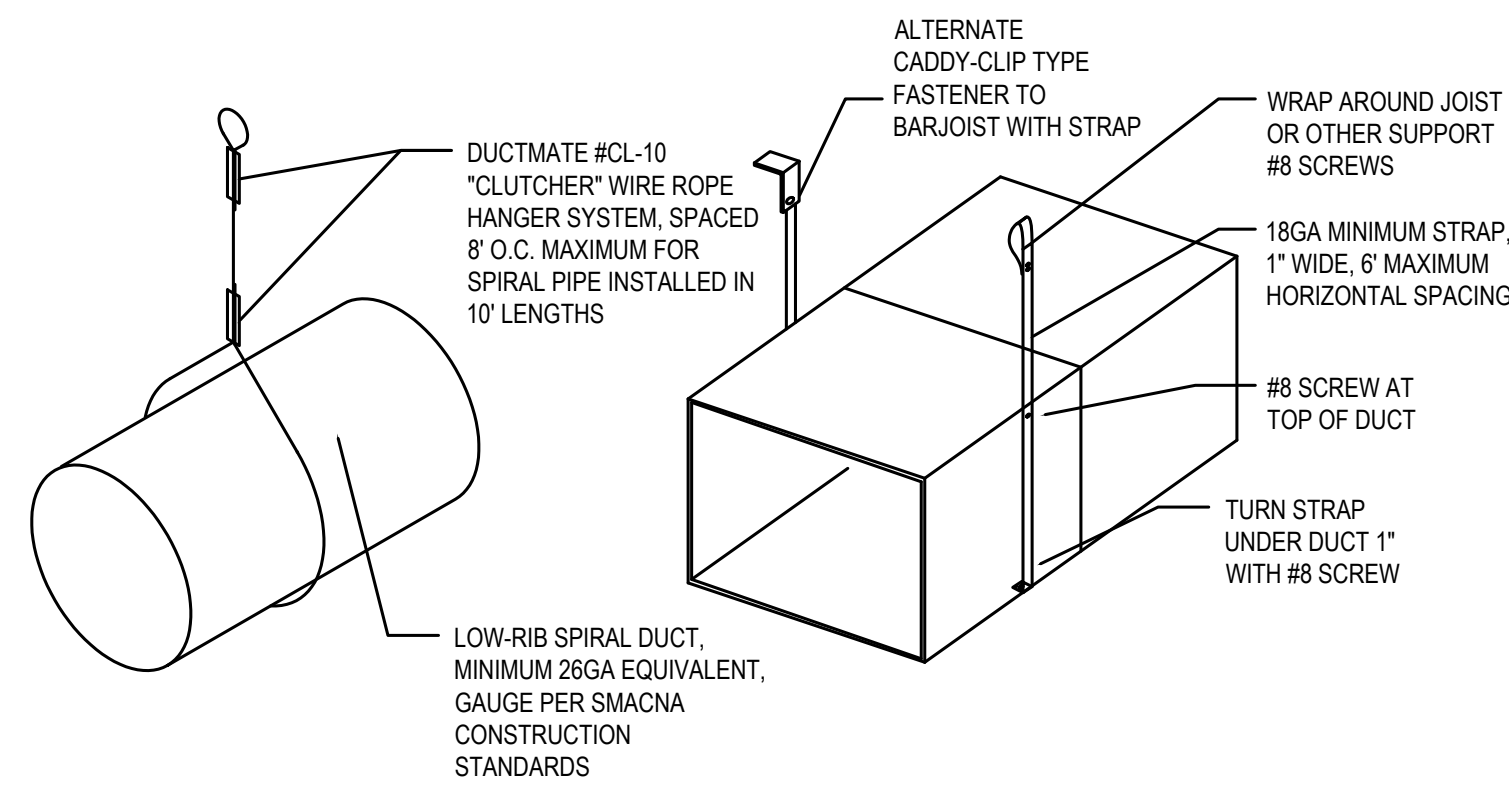
TYPICAL WALL MOUNTED FAN DETAIL | 9
NTS | M5.1



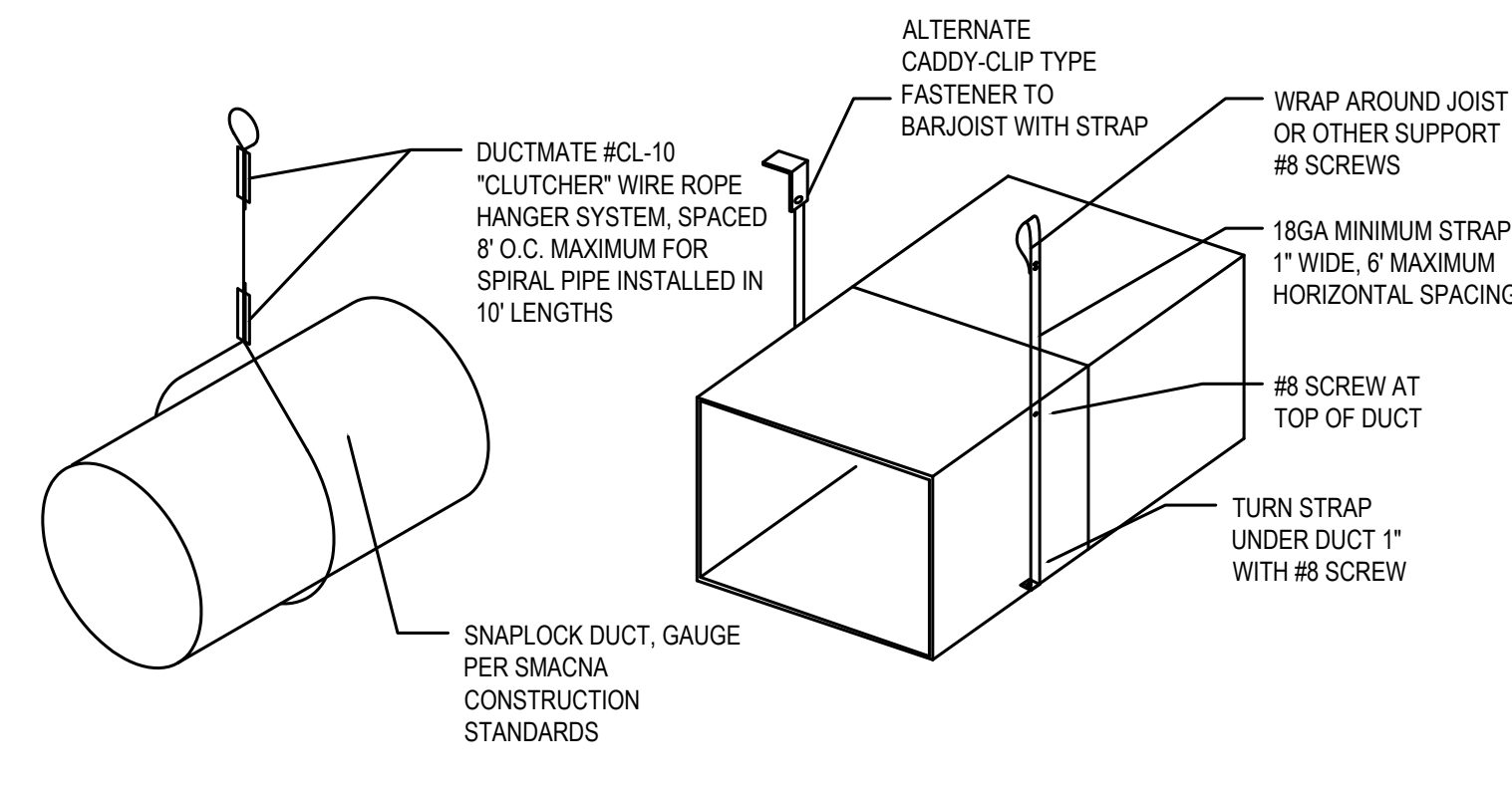
CEILING EXHAUST FAN DETAIL | 8
NTS | M5.1



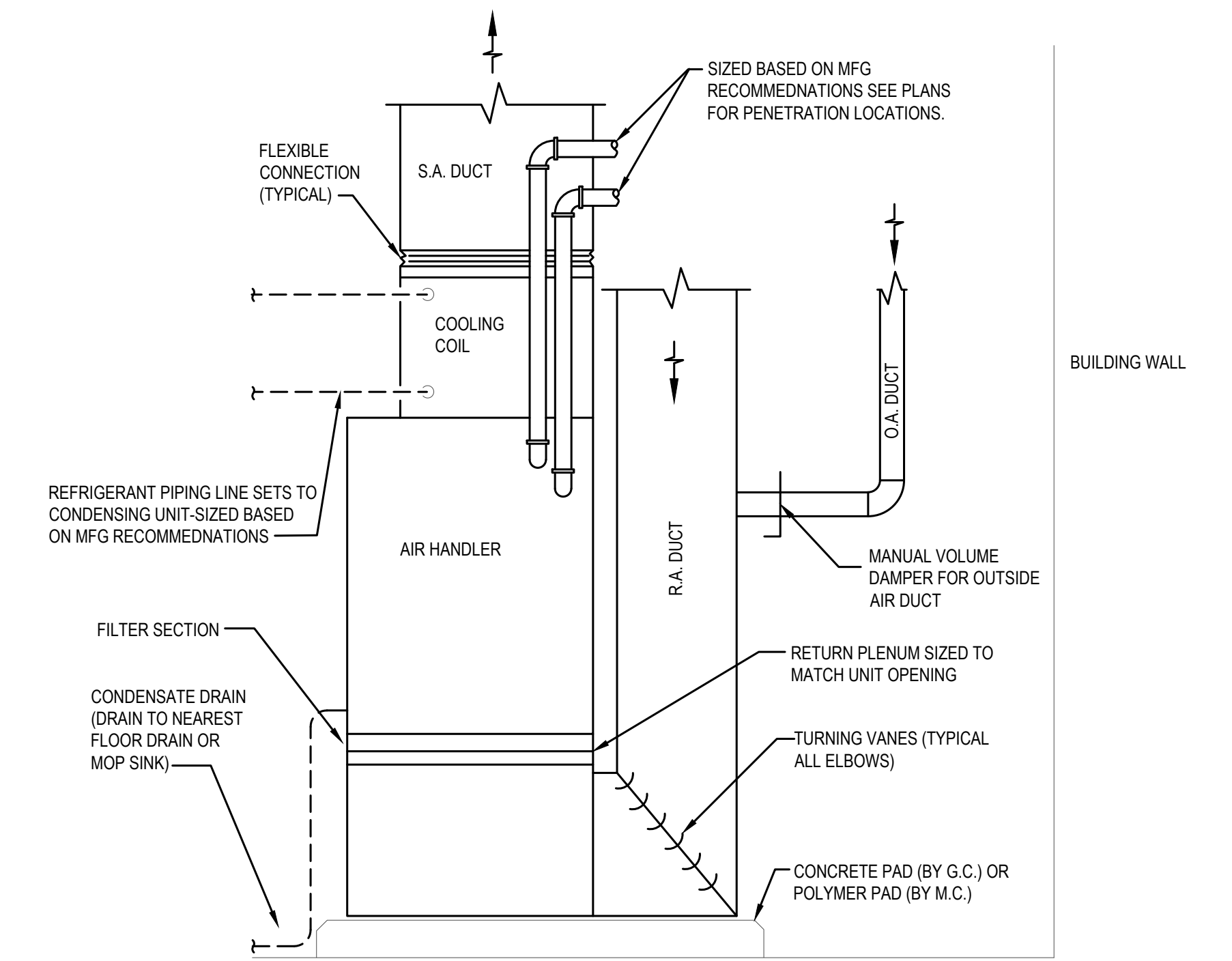
CONCENTRIC VENT SIDE WALL DETAIL | 7
NTS | M5.1



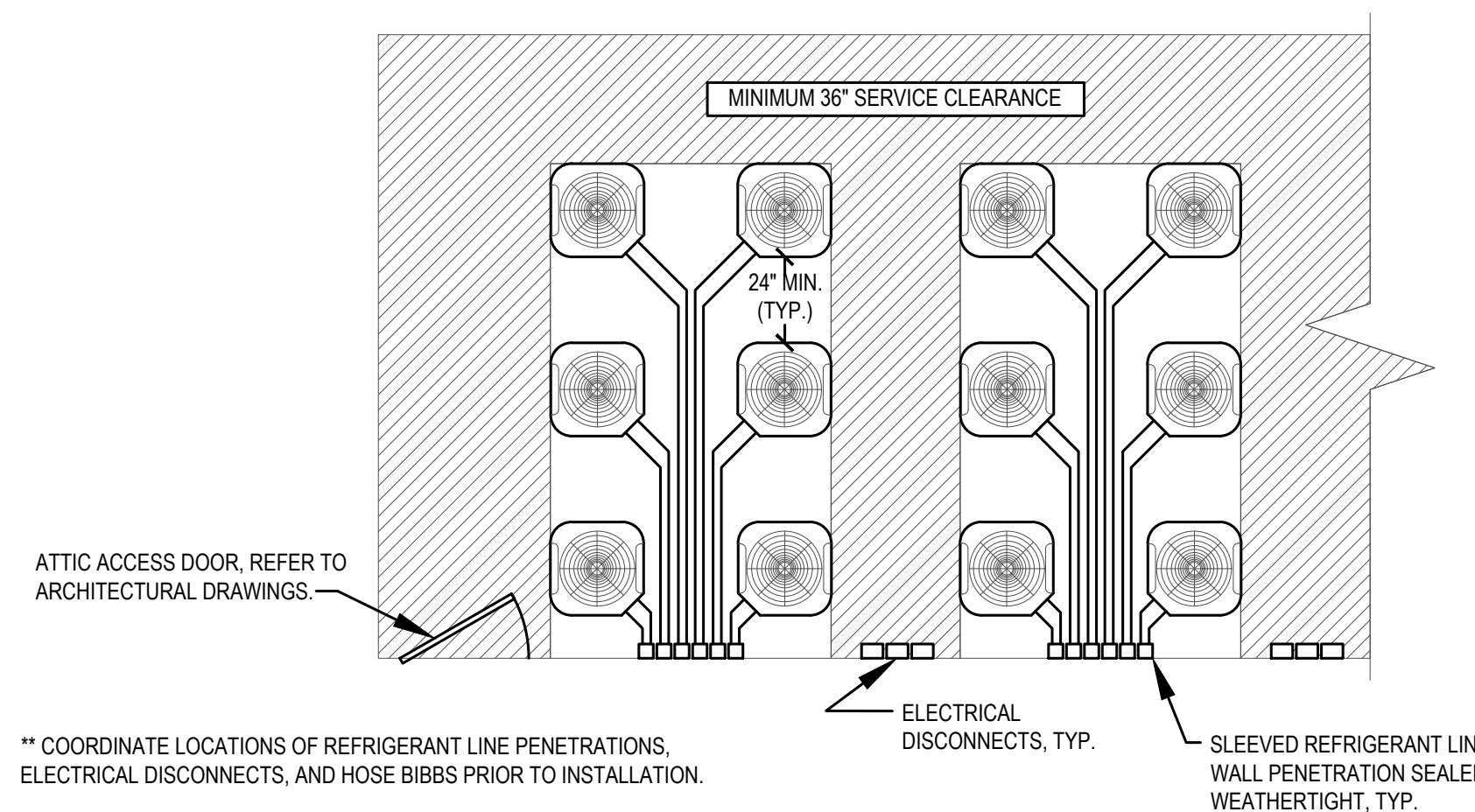
COMMERCIAL RIGID DUCT MOUNTING DETAIL | 6
NTS | M5.1



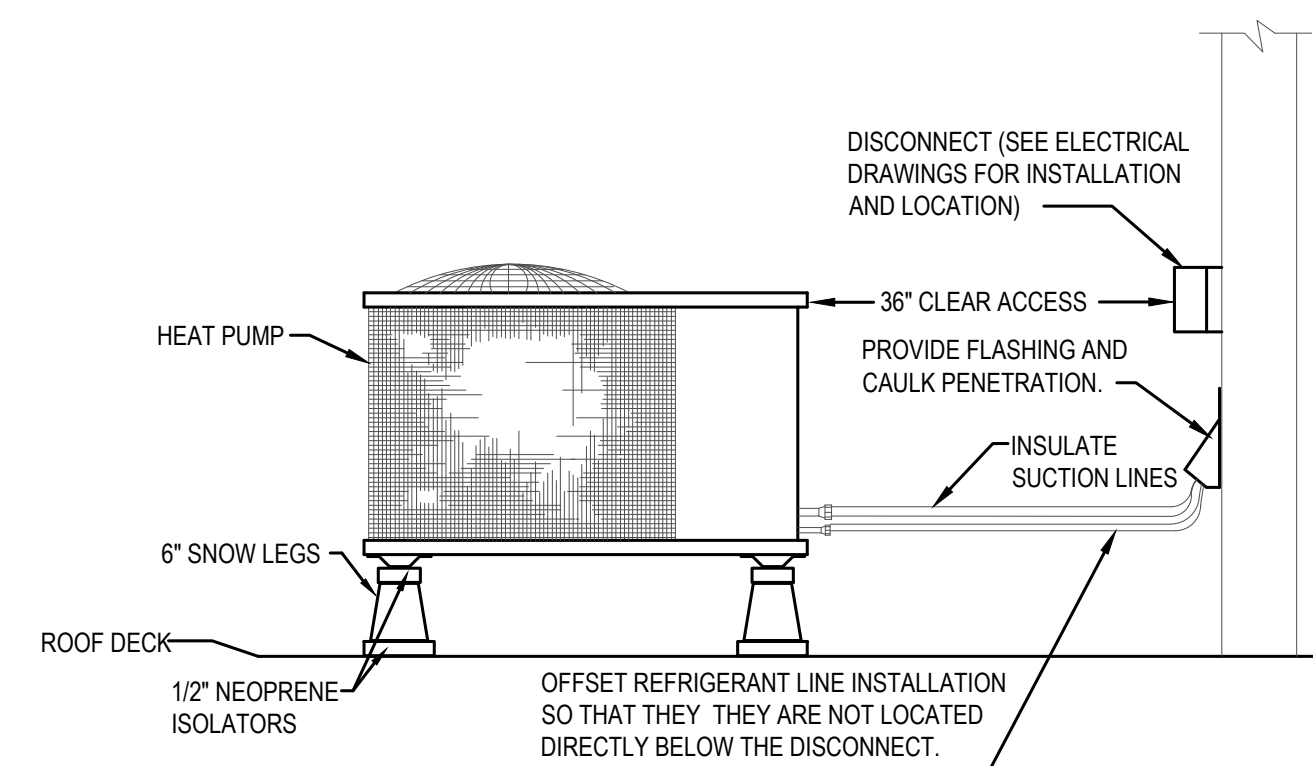
RESIDENTIAL RIGID DUCT MOUNTING DETAIL | 5
NTS | M5.1



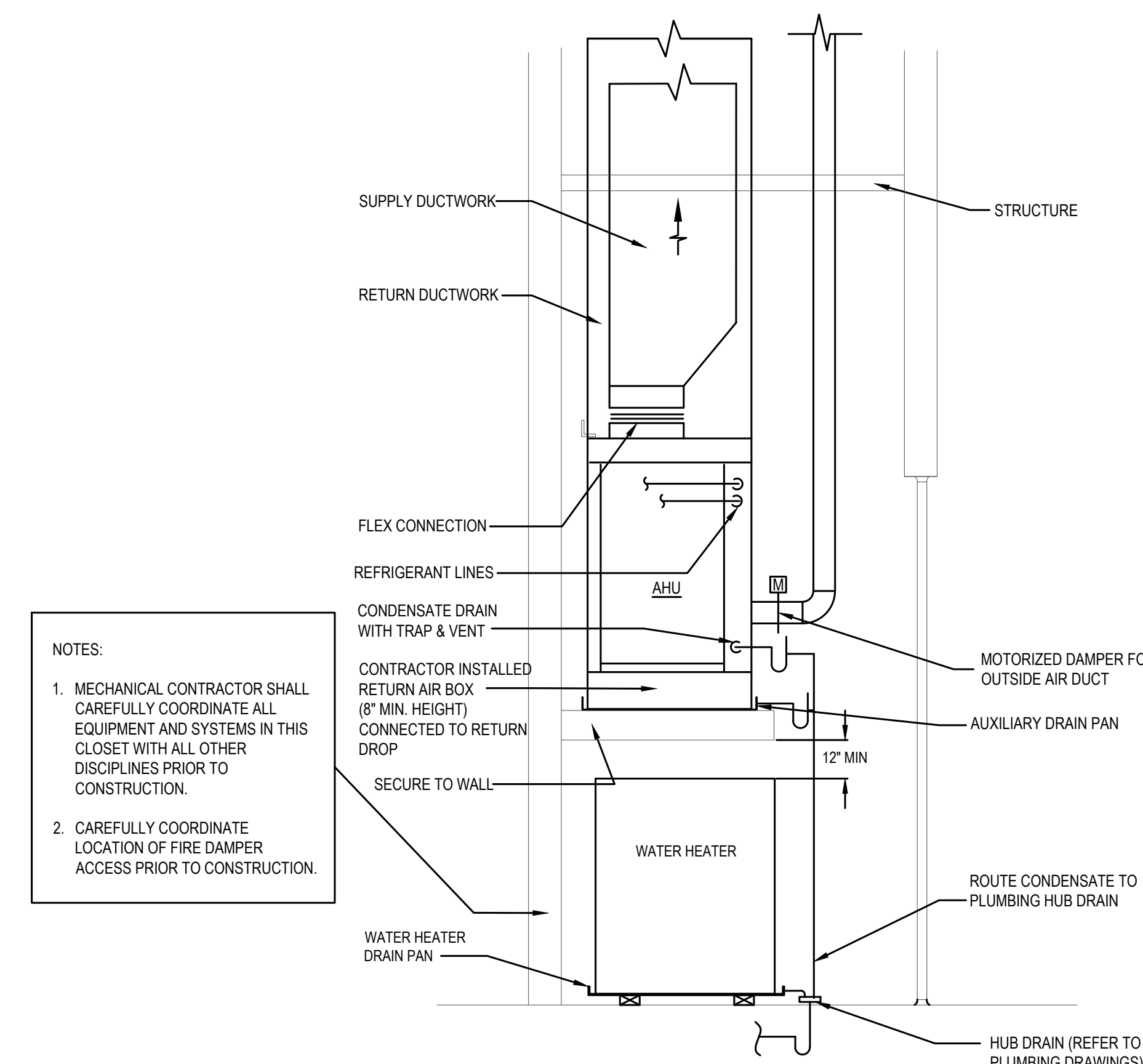
FURNACE DETAIL | 4
NTS | M5.1



CONDENSER DETAIL | 3
NTS | M5.1



HEAT PUMP MOUNTING | 2
NTS | M5.1



DUCTED AIR HANDLER WITH BOTTOM RETURN WITH OUTSIDE AIR | 5
NTS | M5.1

NOT FOR CONSTRUCTION

CITYSTUDIOS ARCHITECTURE
1148 Main Street
Cincinnati, OH 45202
ph: 513.621.0750
citystudiosarch.com

advantage STRUCTURAL ENGINEERS
1527 Madison Road
Cincinnati, OH 45206
513.396.8900
www.advantageSE.com

VIOX & VIOX Civil Engineers, Surveyors, and Landscape Architects
1633 Springdale Avenue, Suite 1010
Cincinnati, OH 45219
Phone: (513) 263-1111
www.vioxandviox.com

PE Engineering & Construction
9 North Broadway
Lebanon, OH 45046
513-836-3810

RUSS ALLEY
1623 - 1625 VINE STREET, 1624 REPUBLIC STREET
(1625 VINE HPTC APPLICATION)
CINCINNATI, OH 45202

3CDC CENTER CITY DEVELOPMENT CORPORATION

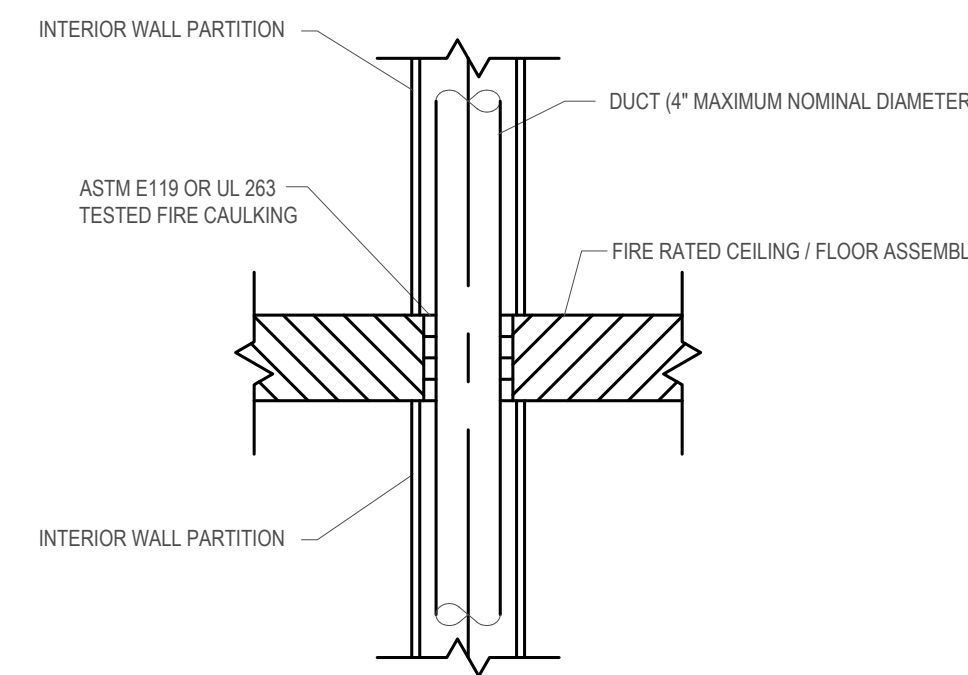
ISSUE LOG:
04.02.2023 ISSUE FOR PERMIT
09.21.2023 CHFA PRELIM. SUBMISSION

- NOTES:
- MECHANICAL CONTRACTOR SHALL CAREFULLY COORDINATE ALL EQUIPMENT AND SYSTEMS IN THIS CLOSET WITH ALL OTHER DISCIPLINES PRIOR TO CONSTRUCTION.
 - CAREFULLY COORDINATE LOCATION OF FIRE DAMPER ACCESS PRIOR TO CONSTRUCTION.

CONTRACTOR NOTE
IT IS THE RESPONSIBILITY OF THE CONTRACTOR TO NOTIFY THEMSELVES WITH EXISTING CONDITIONS AND SATISFY THEMSELVES AS TO THE NATURE AND SCOPE OF THE WORK. THE BASE BID SHALL REFLECT MODIFICATIONS TO SYSTEMS AND DEVICES AS REQUIRED BY STATE, LOCAL AND FEDERAL CODES WHETHER INDICATED OR NOT ON CONTRACT DOCUMENTS. THE SUBMISSIONS OF A BID WILL BE EVIDENCE THAT SUCH AN EXAMINATION AND COMPLIANCE WITH GOVERNING CODES/REQUIREMENTS HAS BEEN MADE. LATER CLAIMS FOR LABOR, EQUIPMENT, OR MATERIALS REQUIRED OR FOR DIFFICULTIES ENCOUNTERED WHICH COULD HAVE BEEN FORESEEN HAD AN EXAMINATION AND CODE/REQUIREMENTS REVIEW BEEN MADE, WILL NOT BE ALLOWED.

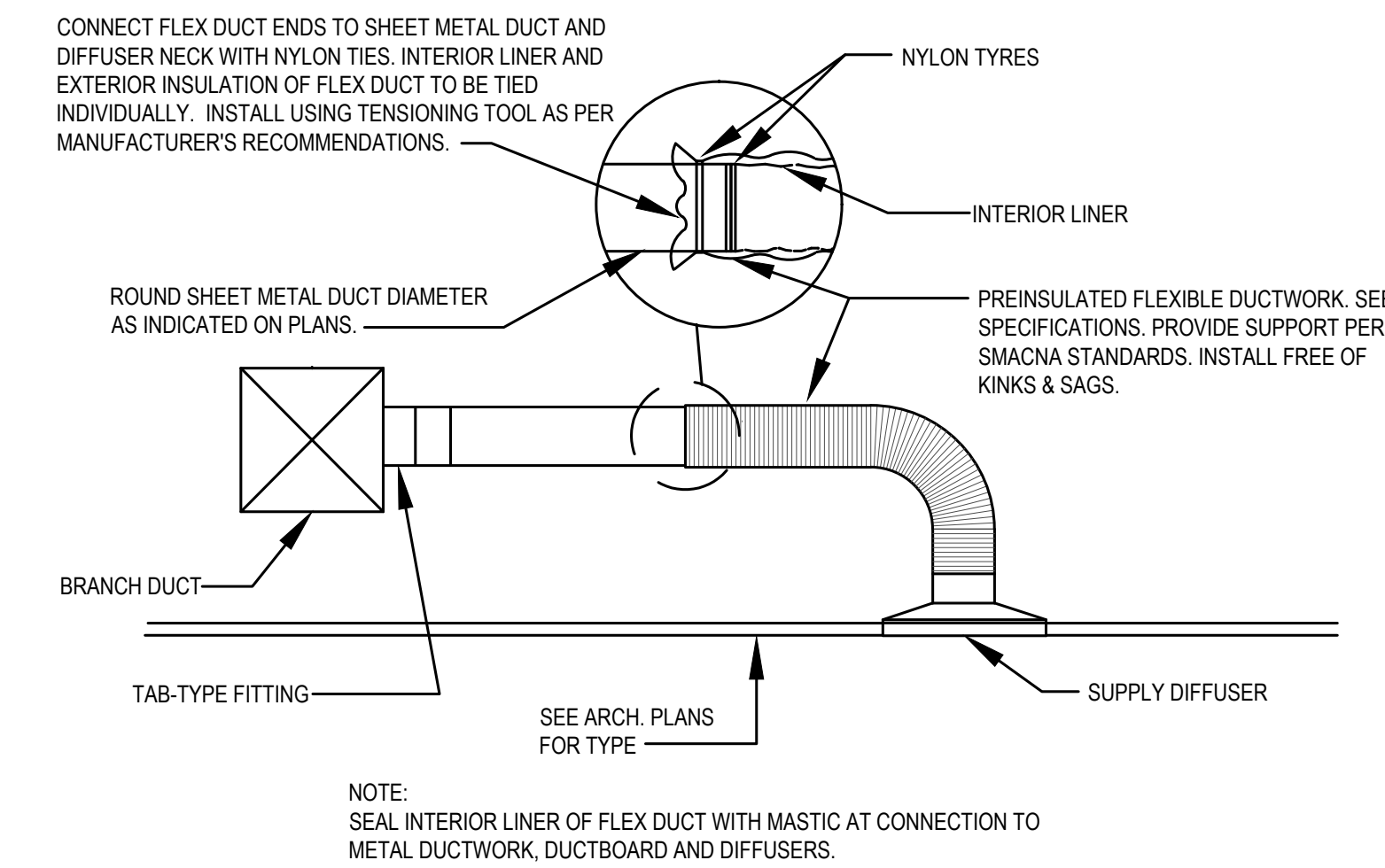
MECHANICAL DETAILS

M5.1



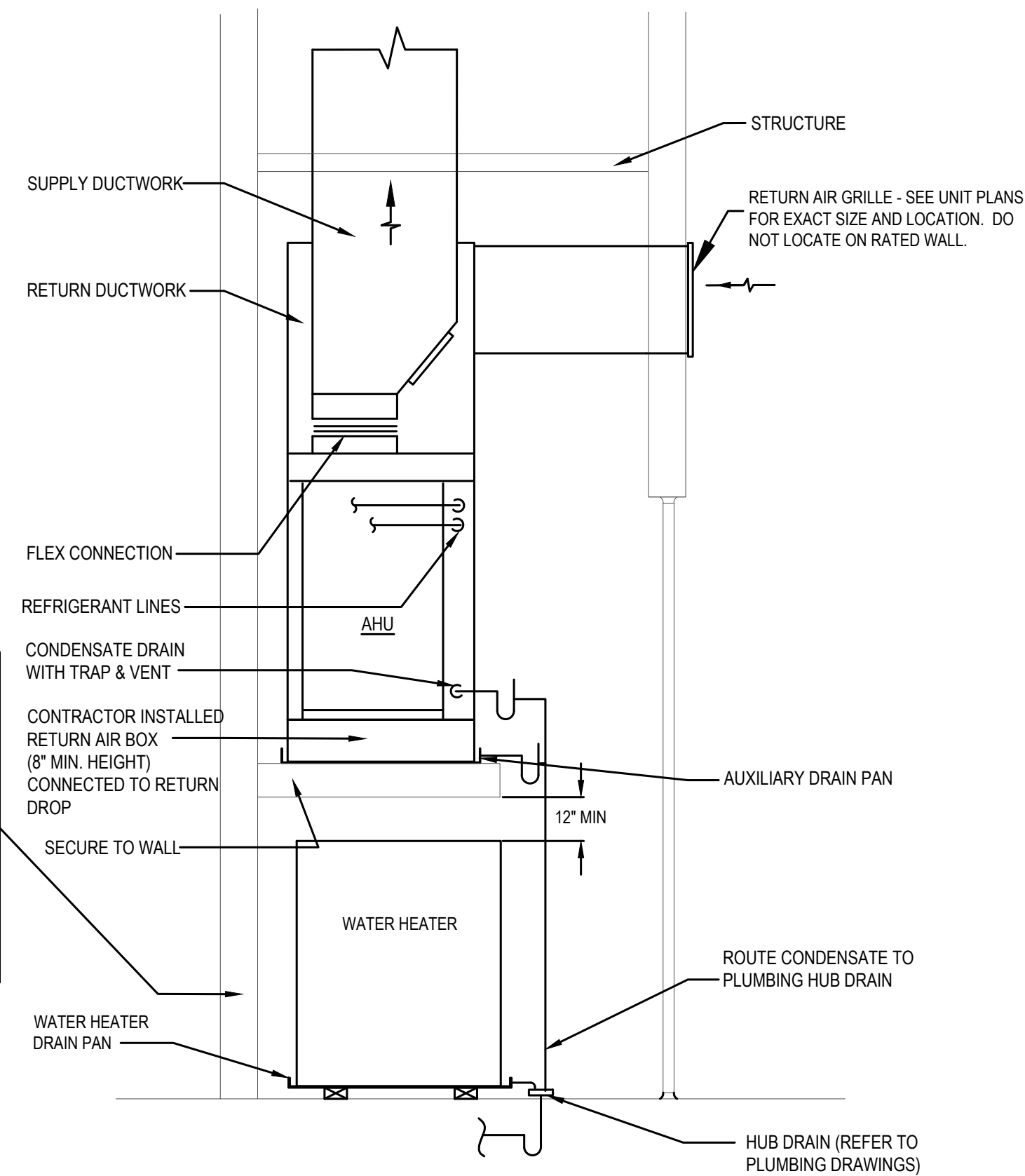
- GENERAL NOTES:
2017 OHIO MECHANICAL CODE SECTION 607.6.1 AND 2017 OHIO BUILDING CODE 717.6.1 EXCEPTIONS APPLIES PROVIDED IT MEETS ALL OF THE FOLLOWING REQUIREMENTS:
1. THE DUCT SHALL BE CONTAINED AND LOCATED WITHIN THE CAVITY OF A WALL AND SHALL BE CONSTRUCTED OF STEEL HAVING A MINIMUM THICKNESS OF 0.0187 IN (NO. 26 GAGE).
 2. THE DUCT SHALL OPEN INTO ONLY ONE DWELLING UNIT OR SLEEPING UNIT AND THE DUCT SYSTEM SHALL BE CONTINUOUS FROM THE UNIT TO THE EXTERIOR OF THE BUILDING.
 3. THE DUCT SHALL NOT EXCEED A 4-INCH NOMINAL DIAMETER AND THE TOTAL AREA OF SUCH DUCTS SHALL NOT EXCEED 100 SQUARE INCHES FOR ANY 100 SQUARE FEET OF THE FLOOR AREA.
 4. THE ANNULAR SPACE AROUND THE DUCT IS PROTECTED WITH MATERIALS THAT PREVENT THE PASSAGE OF FLAME AND HOT GASES SUFFICIENT TO IGNITE COTTON WASTE WHEN SUBJECTED TO ASTM E119 OR UL 263 TIME TEMPERATURE CONDITIONS UNDER A MINIMUM POSITIVE PRESSURE DIFFERENTIAL OF 0.01 INCH OF WATER AT THE LOCATION OF THE PENETRATION FOR THE TIME PERIOD EQUIVALENT TO THE FIRE-RESISTANCE RATING OF THE CONSTRUCTION PENETRATED.
 5. GRILLE OPENINGS LOCATED IN A CEILING OF A FIRE-RESISTANCE RATED FLOOR/CEILING ASSEMBLY SHALL BE PROTECTED WITH A LISTED CEILING RADIATION DAMPER INSTALLED IN ACCORDANCE WITH SECTION 607.6.2.1

DUCT PENETRATION IN WALL CAVITY THROUGH RATED FLOOR | 8
NTS | M5.2



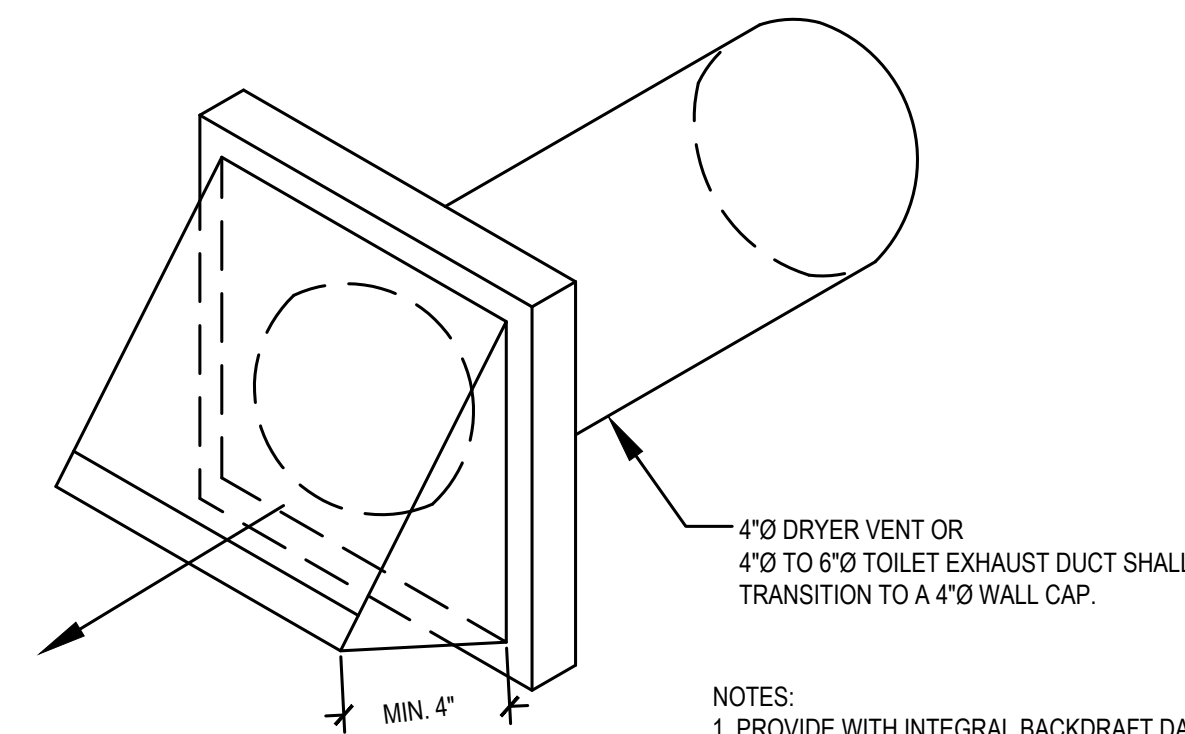
- NOTE:
SEAL INTERIOR LINER OF FLEX DUCT WITH MASTIC AT CONNECTION TO METAL DUCTWORK, DUCTBOARD AND DIFFUSERS.

FLEXIBLE DUCT TAKE-OFF DETAIL | 7
NTS | M5.2



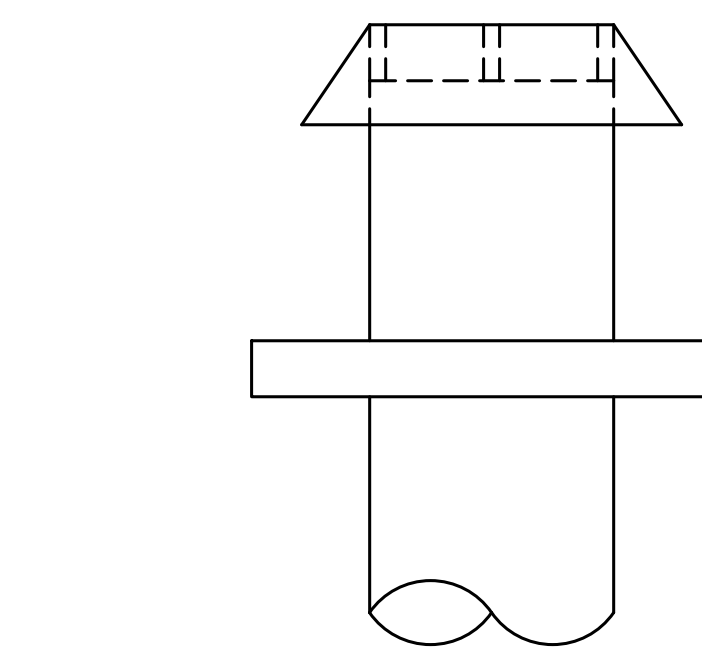
- NOTES:
1. MECHANICAL CONTRACTOR SHALL CAREFULLY COORDINATE ALL EQUIPMENT AND SYSTEMS IN THIS CLOSET WITH ALL OTHER DISCIPLINES PRIOR TO CONSTRUCTION.
2. CAREFULLY COORDINATE LOCATION OF FIRE DAMPER ACCESS PRIOR TO CONSTRUCTION.

DUCTED AIR HANDLER WITH BOTTOM RETURN | 6
NTS | M5.2



- NOTES:
1. PROVIDE WITH INTEGRAL BACKDRAFT DAMPER.
2. WALL CAP BY VENTCRAFT, GREENHECK, OR APPROVED EQUAL.
3. PROVIDE CAP WITH PAINT GRIP COATING FOR FIELD PAINTING.
4. SEAL WALL PENETRATION WITH SEALANT AND FLEXIBLE FLASHING.

VENT CAP DETAIL | 5
NTS | M5.2

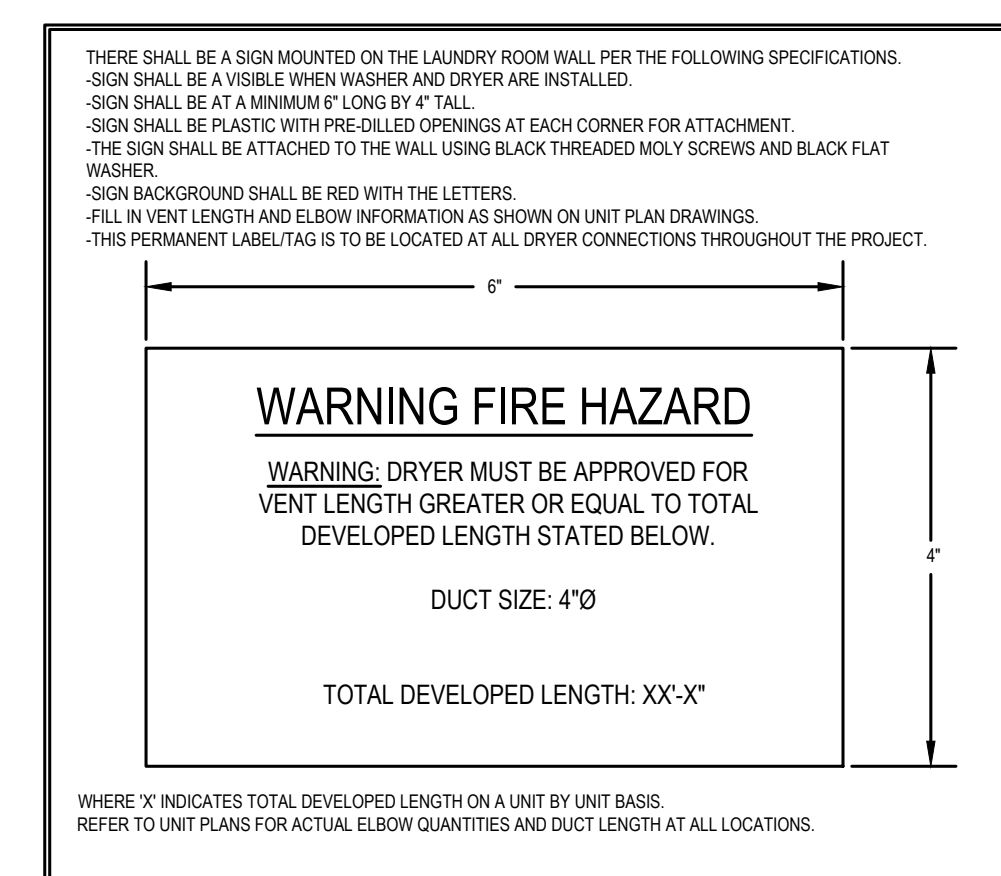


- NOTES:
1. PROVIDE WITH INTEGRAL BACKDRAFT DAMPER.
2. BROWN E111 OR EQUAL FOR BATHROOM EXHAUST.
3. PROVIDE CAP WITH PAINT GRIP COATING FOR FIELD PAINTING.
4. SEAL ROOF PENETRATION WITH SEALANT AND FLEXIBLE FLASHING.
5. PROVIDE INSECT SCREEN AT TOILET EXHAUST CAPS.

FLAT ROOF - ROOF CAP | 4
NTS | M5.2

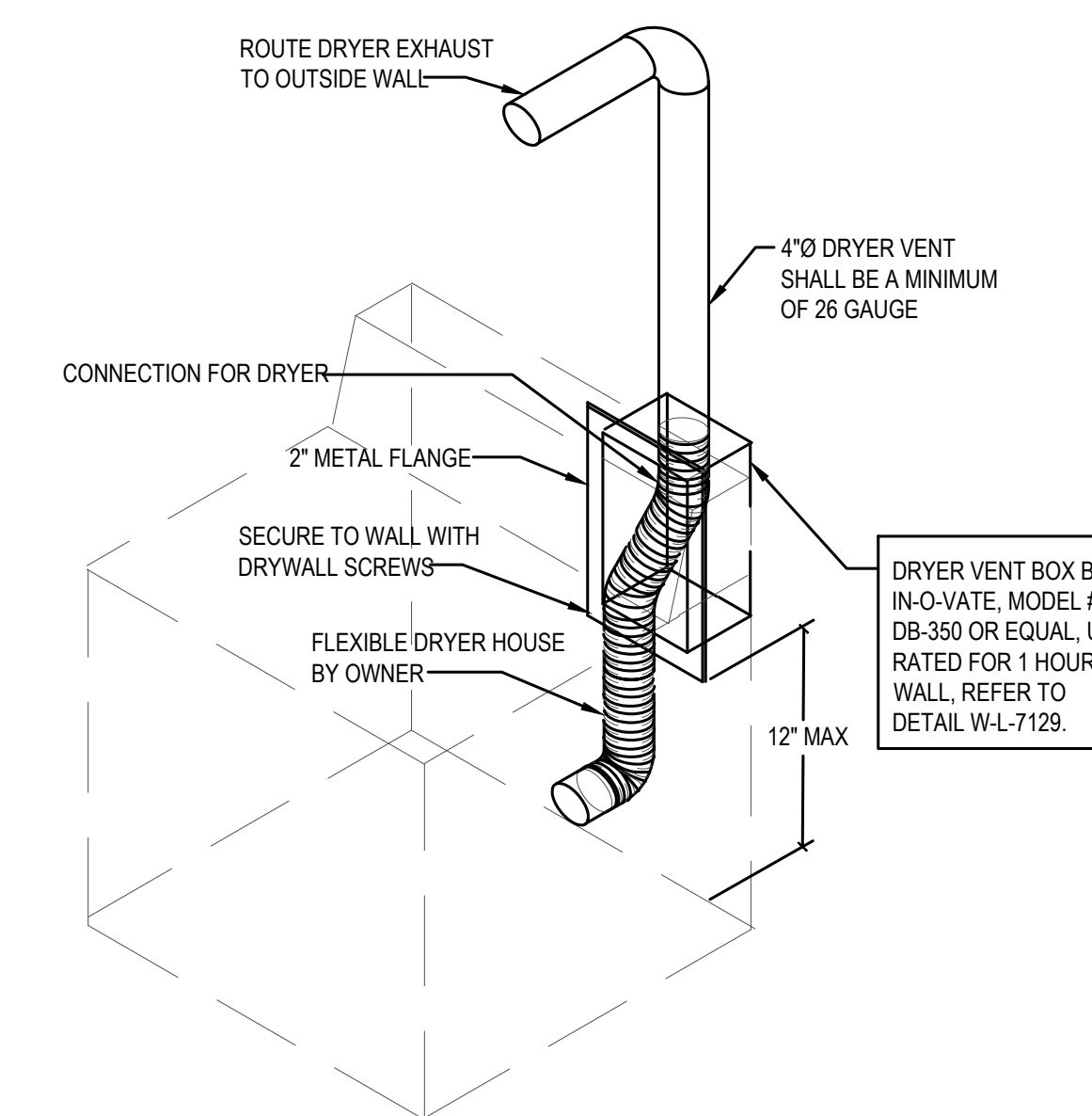
EXHAUST LENGTH	RECOMMENDED MAXIMUM LENGTH	
	Recommended	Use only for short run installations
No. of 90° Elbows	Rigid Metal	Rigid Metal
0	90 Feet	60 Feet
1	60 Feet	45 Feet
2	45 Feet	35 Feet
3	35 Feet	25 Feet
4	25 Feet	15 Feet

GE - GFD14ESSNWW DRYER VENTING REQUIREMENTS | 3
NTS | M5.2



WHERE 'X' INDICATES TOTAL DEVELOPED LENGTH ON UNIT BY UNIT BASIS. REFER TO UNIT PLANS FOR ACTUAL ELBOW QUANTITIES AND DUCT LENGTH AT ALL LOCATIONS.

DRYER VENT LENGTH DETAIL | 2
NTS | M5.2



- NOTES:
1. PROVIDE RATED BOX WHEN INSTALLED IN RATED WALL.
2. COORDINATE VENT BOX LOCATION W/ DRYER OUTLET.

DRYER VENT DROP BOX DETAIL | 1
NTS | M5.2

CONTRACTOR NOTE
IT IS THE RESPONSIBILITY OF THE CONTRACTOR TO NOTIFY THE ARCHITECT, LANDLORD AND TENANT OF ANY DISCREPANCIES ENCOUNTERED ON THE PLANS OR IN EXISTING SITE CONDITIONS PRIOR TO SUBMISSION OF BID.
BIDDERS ARE TO VISIT THE SITE AND FAMILIARIZE THEMSELVES WITH EXISTING CONDITIONS AND SATISFY THEMSELVES AS TO THE NATURE AND SCOPE OF THE WORK. THE BASE BID SHALL REFLECT MODIFICATIONS TO SYSTEMS AND DEVICES AS REQUIRED BY STATE, LOCAL AND FEDERAL CODES WHETHER INDICATED OR NOT ON CONTRACT DOCUMENTS. THE SUBMISSIONS OF A BID WILL BE EVIDENCE THAT SUCH AN EXAMINATION AND COMPLIANCE WITH GOVERNING CODES/REQUIREMENTS HAS BEEN MADE. LATER CLAIMS FOR LABOR, EQUIPMENT, OR MATERIALS REQUIRED OR FOR DIFFICULTIES ENCOUNTERED WHICH COULD HAVE BEEN FORESEEN HAD AN EXAMINATION AND CODE/REQUIREMENTS REVIEW BEEN MADE, WILL NOT BE ALLOWED.

NOT FOR CONSTRUCTION

CITYSTUDIOS ARCHITECTURE
1148 Main Street
Cincinnati, OH 45202
ph. 513.621.0750
citystudiosarch.com

advantage STRUCTURAL ENGINEERS
1527 Madison Road
Cincinnati, OH 45206
513.396.8900
www.advantageSE.com

VIOX & VIOX
Civil Engineers, Surveyors, and Landscape Architects
1633 Sycamore Avenue, Cincinnati, OH 45219
PH: 513.263.1234 FAX: 513.263.1234 www.viox.com

PE CONSULTANTS
CONSULTING FOR THE BUILDING INDUSTRY
4-1013-BROADWAY
9 North Broadway
Lebanon, OH 45046
513-836-3810

RUSS ALLEY
1623 - 1625 VINE STREET, 1624 REPUBLIC STREET
(1625 VINE HPTC APPLICATION)
CINCINNATI, OH 45202

3CDC CENTER CITY DEVELOPMENT CORPORATION

ISSUE LOG:
04.02.2023
ISSUE FOR PERMIT
09.21.2023
CHFA PRELIM. SUBMISSION

System No. W-L-7040

ANSIUL1479 (ASTM E814)	CANULC S115
F Ratings - 1 and 2 Hr (See Items 1 and 3)	F Ratings - 1 and 2 Hr (See Items 1 and 3)
T Rating - 0 Hr	FT Rating - 0 Hr
L Rating at Ambient - Less Than 1 CFM/ft ²	FH Ratings - 1 and 2 Hr (See Items 1 and 3)
L Rating at 400°F - Less Than 1 CFM/ft ²	FTH Rating - 0 Hr
	L Rating at Ambient - Less Than 1 CFM/ft ²
	L Rating at 400°F - Less Than 1 CFM/ft ²

1. Wall Assembly — The fire-rated gypsum wallboard/stud wall assembly shall be constructed of the materials and in the manner specified in the individual U300, U400, U400 or V400 Series Wall and Partition Designs in the Fire Resistance Directory and shall include the following construction features:
A. Studs — Wall framing may consist of either wood studs or steel channel studs. Wood studs to consist of nom 2 by 4 in. (51 by 102 mm) lumber spaced 16 in. (406 mm) OC. Steel studs to be min 2-1/2 in. (64 mm) wide and spaced max 24 in. (610 mm). Additional framing members shall be used to completely frame around opening.
B. Gypsum Board — Nom 5/8 in. (16 mm) thick with square or tapered edges. The gypsum wallboard type, number of layers and sheet orientation shall be as specified in the individual Wall and Partition Design Number. Max area of opening is 1300 in.² (0.84 m²) with the dimension of 50 in. (127 mm).
The hourly F and FH Ratings of the firestop system are equal to the hourly fire rating of the wall assembly in which it is installed.

2. Steel Duct — Nom 24 in. by 48 in. (610 by 1219 mm) (or smaller) No. 24 gauge (or heavier) galv steel duct to be installed within the firestop system. The annular space shall be min 3 (point contact) in. to a max 2 in. (51 mm) Duct to be rigidly supported on both sides of the wall assembly.

Hilti Firestop Systems
Reproduced by HILTI, Inc. Courtesy of Underwriters Laboratories, Inc. September 16, 2015
Page: 1 of 2

System No. W-L-7042

ANSIUL1479 (ASTM E814)	CANULC S115
F Ratings - 1 and 2 Hr (See Items 1 and 3)	F Ratings - 1 and 2 Hr (See Items 1 and 3)
T Rating - 0 Hr	FT Rating - 0 Hr
	FH Ratings - 1 and 2 Hr (See Items 1 and 3)
	FTH Rating - 0 Hr

1. Wall Assembly — The 1 or 2 hr fire rated wallboard/stud wall assembly shall be constructed of the materials and in the manner specified in the individual U300, U400, V400 or W400 Series Wall and Partition Designs in the UL Fire Resistance Directory and shall include the following construction features:
A. Studs — Wall framing may consist of either wood studs or steel channel studs. Wood studs to consist of nom 2 by 4 in. (51 by 102 mm) lumber spaced 16 in. (406 mm) OC. Steel studs to be min 2-1/2 in. (64 mm) wide and spaced 24 in. (610 mm) OC. Additional framing members shall be used to completely frame the opening for all ducts greater than 20 in. (502 mm) diam.
B. Gypsum Board — For 1 hr assembly, one layer of min 5/8 in. (16 mm) thick wallboard as required in the individual Wall and Partition Design. For 2 hr assembly, two layers of min 5/8 in. (16 mm) thick wallboard as required in the individual Wall and Partition Design. Max diam of opening is 14-1/2 in. (368 mm) for wood stud walls and 25-1/2 in. (648 mm) for steel stud walls.
The hourly F and FH Ratings of the firestop system are equal to the hourly fire rating of the wall assembly in which it is installed.

2. Through Penetrant — Galv steel duct to be installed concentrically or eccentrically within the firestop system. The annular space between the duct and periphery of opening shall be 3 in. (76 mm, point contact) and max 1-1/2 in. (38 mm) Duct to be rigidly supported on both sides of wall assembly.
A. Spiral Wound HVAC Duct — Nom 24 in. (610 mm) diam (or smaller) No. 28 MSG (or heavier) galv steel spiral wound duct.
B. Sheet Metal Duct — Nom 12 in. (305 mm) diam (or smaller) No. 28 MSG (or heavier) galv sheet steel duct.

3. Fill, Void or Cavity Material — Sealant — Min 5/8 in. (16 mm) and 1-1/4 in. (32 mm) thickness of fill material applied with annular, flush with both surfaces of wall assembly for 1 and 2 hr F Ratings, respectively. When FS-ONE Max is used, min 5/8 in. (16mm) thickness for both 1 and 2 hr F Ratings. At the point contact location between duct and wallboard, a min 1/2 in. (13 mm) diam bead of sealant shall be applied at the wallboard/duct interface on both surfaces of wall assembly.
HILTI CONSTRUCTION CHEMICALS, DIV OF HILTI, INC. — CP901S Elastomeric Firestop Sealant, FS-ONE Sealant, FS-ONE MAX Intumescent Sealant or CP900 Flexible Firestop Sealant

* Indicates such products shall bear the UL or cUL Certification Mark for jurisdictions employing the UL or cUL Certification (such as Canada), respectively.

Hilti Firestop Systems
Reproduced by HILTI, Inc. Courtesy of Underwriters Laboratories, Inc. October 12, 2017
Page: 1 of 2

ULcUL SYSTEM NO. F-C-7013
METAL DUCT (WITHOUT DAMPER) THROUGH WOOD FLOOR/CEILING ASSEMBLY
F-RATING = 1-HR.
T-RATING = 0-HR.

1. WOOD FLOOR/CEILING ASSEMBLY (ULcUL CLASSIFIED L500 SERIES) (1-HR. FIRE-RATING).
2. LUMBER OR PLYWOOD SUBFLOOR WITH FINISH FLOOR OF LUMBER, PLYWOOD, OR FLOOR TOPPING MIXTURE.
3. MAXIMUM 4" NOMINAL DIAMETER SHEET METAL DUCT (MINIMUM 28 GAUGE).
4. MINIMUM 3/4" DEPTH HILTI FS-ONE MAX INTUMESCENT FIRESTOP SEALANT FLUSH WITH TOP SURFACE OF FLOOR OR SOLE PLATE.
5. MINIMUM 5/8" DEPTH HILTI FS-ONE MAX INTUMESCENT FIRESTOP SEALANT FLUSH WITH BOTTOM SURFACE OF CEILING OR LOWER TOP PLATE.

NOTES : 1. MAXIMUM DIAMETER OF OPENING = 5".
2. ANNULAR SPACE = MINIMUM 1/4", MAXIMUM 3/4".
3. [NOT SHOWN, OPTIONAL] CHASE WALL - THE THROUGH PENETRANT MAY BE ROUTED THROUGH A 1-HR. FIRE-RATED GYPSUM CHASE WALL.

Hilti Firestop Systems
HILTI, Inc.
Plano, Texas USA (800) 879-8000
Scale: 1/8" = 1"
Date: May 26, 2021
Sheet: 1 of 1
Drawing No.: FC 7013e
Saving Lives through Innovation and Education

System No. W-L-7040

3. Firestop System — The firestop system shall consist of the following:
A. Fill, Void or Cavity Material — Sealant — Min 5/8 in. (16 mm) thickness of fill material applied with annular flush with both surfaces of wall. At point contact location, a min 1/2 in. (13 mm) diam bead of fill material shall be applied to the wallboard interface on both surfaces of wall.
HILTI CONSTRUCTION CHEMICALS, DIV OF HILTI, INC. — FS-ONE Sealant, FS-ONE MAX Intumescent Sealant, CP901S Elastomeric Firestop Sealant or CP900 Flexible Sealant.
B. Steel Retaining Angle — No. 18 MSG (0.048 in.) galv steel angle cut to fit contour of duct with a 2 in. overlap on the duct and a min 1 in. overlap on the gypsum board assembly on both surfaces of wall. 2 in. leg of angle secured to duct with min No. 8 by 3/4 in. long sheet metal screws, spaced a max of 6 in. OC. When bead of fill material is used at joint contact locations, angles shall be installed prior to full material curing.

* Indicates such products shall bear the UL or cUL Certification Mark for jurisdictions employing the UL or cUL Certification (such as Canada), respectively.

Hilti Firestop Systems
Reproduced by HILTI, Inc. Courtesy of Underwriters Laboratories, Inc. September 16, 2015
Page: 2 of 2

System No. W-L-7042

1. Wall Assembly — The 1 or 2 hr fire rated wallboard/stud wall assembly shall be constructed of the materials and in the manner specified in the individual U300, U400, V400 or W400 Series Wall and Partition Designs in the UL Fire Resistance Directory and shall include the following construction features:
A. Studs — Wall framing may consist of either wood studs or steel channel studs. Wood studs to consist of nom 2 by 4 in. (51 by 102 mm) lumber spaced 16 in. (406 mm) OC. Steel studs to be min 2-1/2 in. (64 mm) wide and spaced 24 in. (610 mm) OC. Additional framing members shall be used to completely frame the opening for all ducts greater than 20 in. (502 mm) diam.
B. Gypsum Board — For 1 hr assembly, one layer of min 5/8 in. (16 mm) thick wallboard as required in the individual Wall and Partition Design. For 2 hr assembly, two layers of min 5/8 in. (16 mm) thick wallboard as required in the individual Wall and Partition Design. Max diam of opening is 14-1/2 in. (368 mm) for wood stud walls and 25-1/2 in. (648 mm) for steel stud walls.
The hourly F and FH Ratings of the firestop system are equal to the hourly fire rating of the wall assembly in which it is installed.

2. Through Penetrant — Galv steel duct to be installed concentrically or eccentrically within the firestop system. The annular space between the duct and periphery of opening shall be 3 in. (76 mm, point contact) and max 1-1/2 in. (38 mm) Duct to be rigidly supported on both sides of wall assembly.
A. Spiral Wound HVAC Duct — Nom 24 in. (610 mm) diam (or smaller) No. 28 MSG (or heavier) galv steel spiral wound duct.
B. Sheet Metal Duct — Nom 12 in. (305 mm) diam (or smaller) No. 28 MSG (or heavier) galv sheet steel duct.

3. Fill, Void or Cavity Material — Sealant — Min 5/8 in. (16 mm) and 1-1/4 in. (32 mm) thickness of fill material applied with annular, flush with both surfaces of wall assembly for 1 and 2 hr F Ratings, respectively. When FS-ONE Max is used, min 5/8 in. (16mm) thickness for both 1 and 2 hr F Ratings. At the point contact location between duct and wallboard, a min 1/2 in. (13 mm) diam bead of sealant shall be applied at the wallboard/duct interface on both surfaces of wall assembly.
HILTI CONSTRUCTION CHEMICALS, DIV OF HILTI, INC. — CP901S Elastomeric Firestop Sealant, FS-ONE Sealant, FS-ONE MAX Intumescent Sealant or CP900 Flexible Firestop Sealant

* Indicates such products shall bear the UL or cUL Certification Mark for jurisdictions employing the UL or cUL Certification (such as Canada), respectively.

Hilti Firestop Systems
Reproduced by HILTI, Inc. Courtesy of Underwriters Laboratories, Inc. October 12, 2017
Page: 2 of 2

ULcUL SYSTEM NO. W-L-7017
METAL DUCT (WITHOUT DAMPER) THROUGH GYPSUM WALL ASSEMBLY
F-RATING = 1-HR.
T-RATING = 0-HR.

1. GYPSUM WALL ASSEMBLY (ULcUL CLASSIFIED U300 or U400 SERIES) (1-HR. FIRE-RATING).
2. [NOT SHOWN] WOOD STUDS TO CONSIST OF NOMINAL 2" x 4" LUMBER. STEEL STUDS TO BE MINIMUM 2-1/2" WIDE.
3. MAXIMUM 6" NOMINAL DIAMETER STEEL PIPE SLEEVE (SCHEDULE 40 OR HEAVIER).
4. MAXIMUM 6" DIAMETER SHEET METAL DUCT (MINIMUM 28 GAUGE).
5. HILTI CF-AS CJP OR CF 812 FILLER FOAM RECESSED TO ACCOMMODATE FIRESTOP SEALANT.
6. MINIMUM 5/8" DEPTH HILTI FS-ONE MAX OR FS-ONE INTUMESCENT FIRESTOP SEALANT.

NOTES : 1. MAXIMUM DIAMETER OF OPENING = 8-5/8".
2. ANNULAR SPACE = MINIMUM 1/2", MAXIMUM 1-1/2".

Hilti Firestop Systems
HILTI, Inc.
Tulsa, Oklahoma USA (800) 879-8000
Scale: 1/8" = 1"
Date: Jan. 14, 2015
Sheet: 1 of 1
Drawing No.: WL 7017e
Saving Lives through Innovation and Education

CONTRACTOR NOTE
IT IS THE RESPONSIBILITY OF THE CONTRACTOR TO NOTIFY THE ARCHITECT, LANDLORD AND TENANT OF ANY DISCREPANCIES ENCOUNTERED ON THE PLANS OR IN EXISTING SITE CONDITIONS PRIOR TO SUBMISSION OF BID.
BIDDERS ARE TO VISIT THE SITE AND FAMILIARIZE THEMSELVES WITH EXISTING CONDITIONS AND SATISFY THEMSELVES AS TO THE NATURE AND SCOPE OF THE WORK. THE BASE BID SHALL REFLECT MODIFICATIONS TO SYSTEMS AND DEVICES AS REQUIRED BY STATE, LOCAL AND FEDERAL CODES WHETHER INDICATED OR NOT ON CONTRACT DOCUMENTS. THE SUBMISSIONS OF A BID WILL BE EVIDENCE THAT SUCH AN EXAMINATION AND COMPLIANCE WITH GOVERNING CODES/REQUIREMENTS HAS BEEN MADE. LATER CLAIMS FOR LABOR, EQUIPMENT, OR MATERIALS REQUIRED OR FOR DIFFICULTIES ENCOUNTERED WHICH COULD HAVE BEEN FORESEEN HAD AN EXAMINATION AND CODE/REQUIREMENTS REVIEW BEEN MADE, WILL NOT BE ALLOWED.

MECHANICAL DETAILS
M5.3

NATURAL GAS-FIRED DX SPLIT SYSTEMS

DESIG	SERVES	NOM. TONS	FAN				COOLING @ AMBIENT (°F) = 80				HEATING @ AMBIENT (°F) = 12				FURNACE (CU TEMPSTAR MODEL NUMBER)	COOLING COIL MODEL NUMBER	ACCESSORIES	WEIGHT (LBS)	ELECTRICAL		
			TOTAL CFM	O.A. CFM	ESP (IN WG)	HP	TOTAL MBH	SENS MBH	EAT DBWB	LAT DBWB	SEER2 (EER2)	INPUT MBH	OUTPUT MBH	EAT DB					LAT DB	EFF %	VOLT/ PHASE
F-01	FUTURE COMMERCIAL SPACE	4.0	1600	235	0.5	0.75	46.3	32.8	77/62	55/52	14.0 (12.0)	80.0	75.0	93.8%	NG8MSNB01716A	EV04X48M21A	1,2,3,4,6,7	150.35	120/1	14.7	15
CU-01															MA5549AKA			199	208/1	32.8	50

NOTES:
A. ALL SYSTEMS SHALL USE R-410A REFRIGERANT.
B. ALL EQUIPMENT SHALL BE INSTALLED SO AS TO MAINTAIN ALL CODE AND MANUFACTURER REQUIRED CLEARANCES FOR SERVICE, ACCESS, AND OPERATION.
C. REFER TO DETAILS AND SPECIFICATIONS FOR ADDITIONAL INFORMATION.
D. ADJUST AIR HANDLER BLOWER SPEED TAP IN FIELD AS NEEDED TO PROVIDE TOTAL CFM SHOWN IN SCHEDULE.

ACCESSORIES:
1. FACTORY CONCENTRIC VENT KIT.
2. 7-DAY PROGRAMMABLE THERMOSTAT WITH MANUAL OVER-RIDE, SETBACK, AND TIME DELAY RELAY.
3. MERV 8 FILTER IN INTEGRAL FILTER RACK.
4. FACTORY MOUNTED THERMAL EXPANSION VALVE IF REQUIRED FOR SPECIFIED SEER RATING.
5. TWO-STAGE HEATING.
6. PROVIDE SAFE-T-SWITCH FOR SECONDARY CONDENSATE.
7. LOCKABLE REFRIGERANT SERVICE PORT CAPS.
8. SMOKE DETECTOR IN RETURN AIR PATH.
9. DIFFERENTIAL ENTHALPHY ECONOMIZER DAMPERS, SENSORS, CONTROLS, ETC.

ASHRAE 62.2 - 2010

UNIT NO.	UNIT SERVING	AREA S.F.	AREA SERVED	# OF BEDRM	CFM PER PERSON	O.A. REQUIRED	S.A. PROVIDED	O.A. PROVIDED	NOTES
UNIT 11	AHUB	1024	UNIT 11	3	7.5	40	400	45	B
TOTALS							400	45	A

NOTES:
A. BALANCE UNIT OUTSIDE AIR TO 11%
B. OUTSIDE AIR CFM PER TABLE 4.1 OF ASHRAE 62.2

ASHRAE 62.2 - 2010

UNIT NO.	UNIT SERVING	AREA S.F.	AREA SERVED	# OF BEDRM	CFM PER PERSON	O.A. REQUIRED	S.A. PROVIDED	O.A. PROVIDED	NOTES
UNIT 12	AHUB	943	UNIT 12	2	7.5	32	400	45	B
TOTALS							400	45	A

NOTES:
A. BALANCE UNIT OUTSIDE AIR TO 11%
B. OUTSIDE AIR CFM PER TABLE 4.1 OF ASHRAE 62.2

ELECTRIC HEATERS

DESIG	SERVES	KW	CFM	QMARK MODEL	ACCESSORIES	ELECTRICAL PHASE
EH-01	STAIR D - 1ST FLOOR	3.6	100	LFK484F	1,2,3,6	208/1
EH-02	STAIR B	3.6	100	LFK484F	1,2,3,6	208/1
EH-03	ACCESSIBLE RESIDENTIAL ENTRY	1.5	100	LFK204F	1,2,3,6	208/1
EH-04	STAIR D - 4TH FLOOR	3.6	100	LFK484F	1,2,3,6	208/1

NOTES:
A. MOUNT WALL HEATERS AT 18" AFF UNLESS NOTED OTHERWISE ON PLANS.
B. MOUNT UNIT HEATERS AT 12" BFC UNLESS NOTED OTHERWISE ON PLANS.
C. MOUNT BASEBOARD HEATERS AT FLOOR LEVEL.

ACCESSORIES:
1. FACTORY NON-FUSED DISCONNECT.
2. FACTORY INTERNAL THERMOSTAT.
3. TAMPERPROOF THERMOSTAT.
4. REMOTE THERMOSTAT.
5. PROVIDE UNIT SUB-BASE.
6. WALL SURFACE MOUNT FRAME.
7. CEILING MOUNTING BRACKET.
8. RECESS TRIM KIT.

GRILLES - REGISTERS - DIFFUSERS

DESIG	DUTY	TYPE	FRAME TYPE	MATERIAL	FINISH	FACE SIZE (IN)	MANUFACTURER / MODEL
SA	SUPPLY	LOUVERED	CEILINGSIDE	ALUMINUM	WHITE	SEE PLANS	TITUS 300FL
RA	RETURN	LOUVERED	CEILINGSIDE	ALUMINUM	WHITE	SEE PLANS	TITUS 305FL
TG	RETURN	LOUVERED	CEILINGSIDE	ALUMINUM	WHITE	SEE PLANS	TITUS 355FL

NOTES:
A. PROVIDE CRD AT CEILING IN RATED ASSEMBLIES.
B. PROVIDE OPPOSED BLADE DAMPERS IN SA REGISTERS.
C. RETURN GRILLES (RG) AND TRANSFER GRILLES (TG) LOCATED ON WALLS SHALL BE INSTALLED WITH BLADES DOWN.

DX SPLIT SYSTEM HEAT PUMPS

DESIG	SERVES	NOM. TONS	FAN				COOLING @ AMBIENT (°F) = 90				HEATING @ AMBIENT (°F) = 47				AUXILIARY HEATING @ AMBIENT (°F) = 12				AHU / HP TEMPSTAR MODEL NUMBER	HEAT KIT MODEL NUMBER	ACCESSORIES	WEIGHT (LBS)	ELECTRICAL						
			TOTAL CFM	O.A. CFM	ESP (IN WG)	HP	TOTAL MBH	SENS MBH	EAT DBWB	LAT DBWB	SEER (EER)	SEER2 (EER2)	TOTAL MBH	EAT DB	LAT DB	COP (HSPF)	HSPF2	KW RATING @230 V					ACTUAL KW OUT	NO OF STAGES	EAT DB	LAT DB	V/PH	MCA	MOCP
AHU-A	UNITS 1 & 5	1.0	430	0	0.5	0.33	12.6	9.5	80/67	59/58	15.5 (10.5)	---	13.7	68.0	97.5	(9.5)	---	10.0	7.5	1	68.0	123.1	FM4X1800AL	EHK210B	1,2,3,4,5,6,7,13	103	208/1	47.6	60
HP-A																						DLCSRB12AAK			74	208/1	15.0	15	
AHU-B	UNITS 11 & 12	1.5	600	45	0.5	0.33	18.0	13.5	80/67	59/58	17.0 (11.8)	---	19.2	66.4	96.1	(11.0)	---	10.0	7.5	1	63.8	103.3	FM4X1800AL	EHK210B	1,2,3,4,5,6,7,13	103	208/1	47.6	60
HP-B																						DLCSRB18AAK			191	208/1	16.0	25	
AHU-C	UNITS 2,3,4,6,7,8,9,10,13,14	1.5	600	0	0.5	0.33	18.0	13.5	80/67	59/58	17.0 (11.8)	---	19.2	68.0	97.6	(11.0)	---	10.0	7.5	1	68.0	107.5	FM4X1800AL	EHK210B	1,2,3,4,5,6,7,13	103	208/1	47.6	60
HP-C																						DLCSRB18AAK			101	208/1	16.0	25	

NOTES:
A. ALL SYSTEMS SHALL USE R-410A REFRIGERANT.
B. ALL EQUIPMENT SHALL BE INSTALLED SO AS TO MAINTAIN ALL CODE AND MANUFACTURER REQUIRED CLEARANCES FOR SERVICE, ACCESS, AND OPERATION.
C. REFER TO DETAILS AND SPECIFICATIONS FOR ADDITIONAL INFORMATION.
D. ADJUST AIR HANDLER BLOWER SPEED TAP IN FIELD AS NEEDED TO PROVIDE TOTAL CFM SHOWN IN SCHEDULE.

ACCESSORIES:
1. FIELD INSTALLED ELECTRIC HEAT KIT WITH THERMAL OVERLOADS.
2. 7-DAY PROGRAMMABLE THERMOSTAT WITH MANUAL OVER-RIDE, SETBACK, AND TIME DELAY RELAY.
3. MERV 8 FILTER IN INTEGRAL FILTER RACK.
4. FACTORY MOUNTED THERMAL EXPANSION VALVE IF REQUIRED FOR SPECIFIED SEER RATING.
5. BI-FLOW FILTER DRYER.
6. PROVIDE SAFE-T-SWITCH FOR SECONDARY CONDENSATE.
7. LOCKABLE REFRIGERANT SERVICE PORT CAPS.
8. FACTORY INSTALLED ELECTRIC HEAT KIT WITH THERMAL OVERLOADS.
9. FACTORY NON-LOUVERED CEILING ACCESS PANEL.
10. DIFFERENTIAL ENTHALPHY ECONOMIZER DAMPERS, SENSORS, CONTROLS, ETC.
11. SMOKE DETECTOR IN RETURN AIR PATH.
12. OUTDOOR TEMPERATURE SENSOR.
13. PROVIDE 24V INTRFACE KIT FOR DUCTLESS SYSTEM - TEMPSTAR MODEL WSA2C0401200.

FANS

DESIG	SERVES	CONTROL	CFM	ESP IN W.G.	DRIVE	MOTOR WATTS (HP)	SONES	PANASONIC (GREENHECK) MODEL	ACCESSORIES	ELECTRICAL PHASE
EF-A	UNIT BATHROOM	SWITCH	50	0.25	DIRECT	6.2	0.4	FV-0511VKS2	1,2,4,5	120/1
EF-B	UNIT KITCHEN	CONTINUOUS	50	0.25	DIRECT	7.5	0.5	FV-0510V51	1,2,4,5	120/1
EF-01	FUTURE RETAIL UNISEX	SWITCH	70	0.25	DIRECT	15	0.4	(SP-A90)	1,2,4,5	120/1
EF-02	FUTURE RETAIL UNISEX	SWITCH	70	0.25	DIRECT	15	0.4	(SP-A90)	1,2,4,5	120/1
EF-03	BASEMENT STORAGE	H-STAT	70	0.25	DIRECT	15	0.4	(SP-A90)	1,2,4,5	120/1
SF-01	RESIDENTIAL LAUNDRY	AHU	35	0.25	DIRECT	(115)	2.5	(SQ-60-VG)	1,2,4,5	120/1

NOTES:
A. ALL FANS TO HAVE OSHA GUARDS.
B. ALL EQUIPMENT SHALL BE INSTALLED SO AS TO MAINTAIN ALL CODE AND MANUFACTURER REQUIRED CLEARANCES FOR SERVICE, ACCESS, AND OPERATION.
C. REFER TO DETAILS AND SPECIFICATIONS FOR ADDITIONAL INFORMATION.
D. CONTROL TYPE:
CONTINUOUS = ALWAYS ON.
AHU = FAN OPERATES WHEN AIR HANDLER IS RUNNING.
SWITCH = DEDICATED ON / OFF WALL SWITCH LOCATED IN SPACE SERVED.
LIGHT = INTERLOCK TO LIGHT IN SPACE SERVED.
T-STAT = FAN OPERATES WHEN SPACE TEMPERATURE EXCEEDS SETPOINT OF THERMOSTAT (85F).
GAS = FAN OPERATES UPON ALARM FROM GAS MONITORING SYSTEM.
SMOKE = FAN OPERATES UPON ALARM FROM SMOKE DETECTOR.
OCCUPANCY SENSOR = FAN OPERATES UPON SIGNAL FROM OCCUPANCY SENSOR IN THE SPACE.
TIMELOCK = FAN OPERATES DURING BUSINESS HOURS, AS DETERMINED BY PROGRAMMABLE TIMELOCK AT ELECTRICAL PANEL.
H-STAT = FAN OPERATES WHEN SPACE HUMIDITY EXCEEDS 60%.

ACCESSORIES:
1. GRAVITY BACKDRAFT DAMPER.
2. GALVANIZED BIRDSCREEN.
3. MESH INSECT SCREEN.
4. PRE-WIRED NON-FUSED SERVICE DISCONNECT.
5. SPEED CONTROLLER.
6. AUTOMATIC REL TENSORNER.
7. 14" HIGH ROOF CURB.
8. 14" HIGH HINGED, VENTED ROOF CURB.
9. CEILING RADIATION DAMPER.
10. MOTORIZED BACKDRAFT DAMPER.
11. WALL SLEEVE.
12. MOTORSHIELD OSHA GUARD.
13. COMBINATION STARTER / DISCONNECT.
14. WEATHERHOOD.
15. VARIABLE FREQUENCY DRIVE.
16. FILTERING BOX.

DUCTLESS SPLIT SYSTEM HEAT PUMPS

DESIG	SERVES	FAN			COOLING @ 81° F AMBIENT				HEATING @ 12° F AMBIENT				EQUAL TO MITSUBISHI MODEL NUMBER	WEIGHT (LBS)	ELECTRICAL		
		CFM	O.A. CFM	TOTAL MBH	EAT DBWB	LAT DBWB	SEER2	TOTAL MBH	EAT DB	LAT DB	HSPF	VOLT/ PHASE			MCA	MOCP	
DAHU-01	RESIDENTIAL LAUNDRY	631	35	22.4	80 / 67	56 / 54	20.5	24.8	65.4	101.5	11.3	MSZ-GS24NA	37	230/1	1.0	---	
DHP-01												MUZ-GS24NA	118	230/1	18.0	20	

NOTES:
A. ALL SYSTEMS SHALL USE R-410A REFRIGERANT.
B. ALL EQUIPMENT SHALL BE INSTALLED SO AS TO MAINTAIN ALL CODE AND MANUFACTURER REQUIRED CLEARANCES FOR SERVICE, ACCESS, AND OPERATION.
C. REFER TO DETAILS AND SPECIFICATIONS FOR ADDITIONAL INFORMATION.
D. INDOOR UNIT IS POWERED BY OUTDOOR UNIT.
E. HYPER HEAT MODEL.

OMC Table 403.3

UNIT NO.	ROOM NO.	AREA S.F.	AREA SERVED	PERSONS PER 1000 S.F.	NO. OF PEOPLE	CFM PER PERSON	CFM PER S.F.	O.A. REQUIRED	S.A. PROVIDED	O.A. PROVIDED	NOTES
DAHU-01		150	RESIDENTIAL LAUNDRY	20	3	7.5	0.06	32	800	35	
TOTALS					3			32	800	35	A

NOTES:
A. BALANCE UNIT OUTSIDE AIR TO 4%
B. DISTRIBUTION EFFECTIVENESS 1.0
C. SPACES COMMUNICATE

NATURAL VENTILATION CALCULATIONS

UNIT TAG	SQUARE FOOTAGE (S.F.)	OPERABLE AREA REQUIRED (S.F.) 1%	ACTUAL OPERABLE AREA (S.F.)	NATURAL OR MECHANICAL VENTILATION
UNIT 1	1056	42	52.7	NATURAL
UNIT 2	1238	50	74.8	NATURAL
UNIT 3	1024	41	52.3	NATURAL
UNIT 4	943	38	48.9	NATURAL
UNIT 5	1056	42	52.7	NATURAL
UNIT 6	1238	50	74.8	NATURAL
UNIT 7	1024	41	52.3	NATURAL
UNIT 8	943	38	48.9	NATURAL
UNIT 9	1056	42	50.0	NATURAL
UNIT 10	1239	50	74.8	NATURAL
UNIT 11	1024	41	36.6	MECHANICAL
UNIT 12	943	38	28.3	MECHANICAL
UNIT 13	760	30	47.4	NATURAL
UNIT 14	981	39	76.0	NATURAL

MOTORIZED AIR DAMPER SYSTEMS

DESIG	SERVES	TYPE	CFM	MOTOR WATTS (HP)	HONEYWELL MODEL	ACCESSORIES	ELECTRICAL PHASE
QAD-A	UNITS 11 & 12	OUTSIDE AIR DAMPER	BALANCE CFM TO ASHRAE TABLE PER UNIT	3.5	Y8150	1,2,3,4,5	120/1

NOTES:
A. ALL EQUIPMENT SHALL BE INSTALLED SO AS TO MAINTAIN ALL CODE AND MANUFACTURER REQUIRED CLEARANCES FOR SERVICE, ACCESS, AND OPERATION.
B. REFER TO DETAILS AND SPECIFICATIONS FOR ADDITIONAL INFORMATION.

ACCESSORIES:
1. W8102A FRESH AIR VENTILATION CONTROL.
2. EARDRETZ FRESH AIR DAMPER.
3. AT120 TRANSFORMER.
4. MOUNTING HARDWARE FOR CONTROL.
5. HOMEOWNER INFORMATION LABEL.

OMC Table 403.3

UNIT NO.	ROOM NO.	AREA S.F.	AREA SERVED	PERSONS PER 1000 S.F.	NO. OF PEOPLE	CFM PER PERSON	CFM PER S.F.	O.A. REQUIRED	S.A. PROVIDED	O.A. PROVIDED	NOTES
GFU-01		1758	FUTURE COMMERCIAL TENANT	0	0	0	0.12	211	1450	213	
		66	FUTURE COMM. RESTROOM	0	0	0	0	0	75	11	
		65	FUTURE COMM. RESTROOM	0	0	0	0	0	75	11	
TOTALS					0			211	1600	235	A

NOTES:
A. BALANCE UNIT OUTSIDE AIR TO 15%
B. DISTRIBUTION EFFECTIVENESS 1.0
C. SPACES COMMUNICATE

CONTRACTOR NOTE
IT IS THE RESPONSIBILITY OF THE CONTRACTOR TO NOTIFY THE ARCHITECT, LANDLORD AND TENANT OF ANY DISCREPANCIES ENCOUNTERED ON THE PLANS OR IN EXISTING SITE CONDITIONS PRIOR TO SUBMISSION OF BID.

BIDDERS ARE TO VISIT THE SITE AND FAMILIARIZE THEMSELVES WITH EXISTING CONDITIONS AND SATISFY THE BASE BID SHALL REFLECT MODIFICATIONS TO SYSTEMS AND DEVICES AS REQUIRED BY STATE, LOCAL AND FEDERAL CODES WHETHER INDICATED OR NOT ON CONTRACT DOCUMENTS. THE SUBMISSIONS OF A BID WILL BE EVIDENCE THAT SUCH AN EXAMINATION AND COMPLIANCE WITH GOVERNING CODES/REQUIREMENTS HAS BEEN MADE. LATER CLAIMS FOR LABOR, EQUIPMENT, OR MATERIALS REQUIRED OR FOR DIFFICULTIES ENCOUNTERED WHICH COULD HAVE BEEN FORESEEN HAD AN EXAMINATION AND CODE/REQUIREMENTS REVIEW BEEN MADE, WILL NOT BE ALLOWED.

NOT FOR CONSTRUCTION

CITYSTUDIOS ARCHITECTURE
1148 Main Street
Cincinnati, OH 45202
ph. 513.621.0750
citystudiosarch.com

advantage STRUCTURAL ENGINEERS
1527 Madison Road
Cincinnati, OH 45206
513.396.8900
www.advantageSE.com

VIXO&VIXO
Civil Engineers, Surveyors, and Landscape Architects
1600 Glenview Road
Cincinnati, OH 45235
Phone: (513) 233-1200 • Fax: (513) 233-1208 • www.vixov.com

PE ENGINEERS ARCHITECTS
19 North Broadway
Lebanon, OH 45046
513-836-3810

RUSS ALLEY
1623 - 1625 VINE STREET, 1624 REPUBLIC STREET
(1625 VINE HPTC APPLICATION)
CINCINNATI, OH 45202

3CDC CINCINNATI CENTER CITY DEVELOPMENT CORPORATION

ISSUE LOG:
04.02.2023 ISSUE FOR PERMIT
07.14.2023 PERMIT REVISION 1
09.21.2023 CHFA PRELIM. SUBMISSION

MECHANICAL SCHEDULES

M6.1

CONTRACTOR NOTE
IT IS THE RESPONSIBILITY OF THE CONTRACTOR TO NOTIFY THE ARCHITECT, LANDLORD AND TENANT OF ANY DISCREPANCIES ENCOUNTERED ON THE PLANS OR IN EXISTING SITE CONDITIONS PRIOR TO SUBMISSION OF BID.
BIDDERS ARE TO VISIT THE SITE AND FAMILIARIZE THEMSELVES WITH EXISTING CONDITIONS AND SATISFY THEMSELVES AS TO THE NATURE AND SCOPE OF THE WORK. THE BASE BID SHALL REFLECT MODIFICATIONS TO SYSTEMS AND DEVICES AS REQUIRED BY STATE, LOCAL, AND FEDERAL CODES WHETHER INDICATED OR NOT ON CONTRACT DOCUMENTS. THE SUBMISSIONS OF A BID WILL BE EVIDENCE THAT SUCH AN EXAMINATION AND COMPLIANCE WITH GOVERNING CODES/REQUIREMENTS HAS BEEN MADE. LATER CLAIMS FOR LABOR, EQUIPMENT, OR MATERIALS REQUIRED OR FOR DIFFICULTIES ENCOUNTERED WHICH COULD HAVE BEEN FORESEEN HAD AN EXAMINATION AND CODES/REQUIREMENTS REVIEW BEEN MADE, WILL NOT BE ALLOWED.

Section # & Req. ID	Mechanical Rough-In Inspection	Complies?	Comments/Assumptions
C403.2.1 [ME57]	HVAC equipment efficiency verified.	<input type="checkbox"/> Complies <input type="checkbox"/> Does Not <input type="checkbox"/> Not Observable <input type="checkbox"/> Not Applicable	See the Mechanical Systems list for values.
C403.2.5 [ME59]	Demand control ventilation provided for spaces >500 sq. ft. and >25 people/1,000 sq. ft. occupant density and served by systems with air side economizer, auto modulating outside air dampener control, or design airflow >3,000 cfm.	<input type="checkbox"/> Complies <input type="checkbox"/> Does Not <input type="checkbox"/> Not Observable <input type="checkbox"/> Not Applicable	Requirement will be met.
C403.2.7 [ME07]	HVAC ducts and plenums insulated. Where ducts or plenums are installed in or under a slab, verification may need to occur during Foundation Inspection.	<input type="checkbox"/> Complies <input type="checkbox"/> Does Not <input type="checkbox"/> Not Observable <input type="checkbox"/> Not Applicable	Exception: Requirement does not apply.
C403.2.8 [ME51]	HVAC piping insulation thickness. Where piping is installed in or under a slab, verification may need to occur during Foundation Inspection.	<input type="checkbox"/> Complies <input type="checkbox"/> Does Not <input type="checkbox"/> Not Observable <input type="checkbox"/> Not Applicable	Exception: Piping within HVAC equipment.
C403.2.8 [ME7]	Piping insulation exposed to weather is protected from damage (due to sun, moisture, wind, etc.).	<input type="checkbox"/> Complies <input type="checkbox"/> Does Not <input type="checkbox"/> Not Observable <input type="checkbox"/> Not Applicable	Requirement will be met.
C403.2.8 [ME41]	Thermally ineffective panel surfaces of sensible heating panels have insulation >= R-3.5.	<input type="checkbox"/> Complies <input type="checkbox"/> Does Not <input type="checkbox"/> Not Observable <input type="checkbox"/> Not Applicable	Requirement will be met.
C403.2.7 [ME10]	Ducts and plenums sealed based on static pressure and location.	<input type="checkbox"/> Complies <input type="checkbox"/> Does Not <input type="checkbox"/> Not Observable <input type="checkbox"/> Not Applicable	Requirement will be met.
C403.2.7.1 [ME11]	Ductwork operating >3 in. water column requires air leakage testing.	<input type="checkbox"/> Complies <input type="checkbox"/> Does Not <input type="checkbox"/> Not Observable <input type="checkbox"/> Not Applicable	Requirement will be met.
C403.2.7.1 [ME11]	Ductwork operating >3 in. water column requires air leakage testing.	<input type="checkbox"/> Complies <input type="checkbox"/> Does Not <input type="checkbox"/> Not Observable <input type="checkbox"/> Not Applicable	Requirement will be met.
C403.2.2 [ME53]	Air outlets and zone terminal devices have means for air balancing.	<input type="checkbox"/> Complies <input type="checkbox"/> Does Not <input type="checkbox"/> Not Observable <input type="checkbox"/> Not Applicable	Requirement will be met.
C403.2.4 [ME66]	VAV fan motors >= 7.5 hp to be driven by variable speed drive, have a variable axial fan with variable pitch blades, or have controls to limit fan motor demand.	<input type="checkbox"/> Complies <input type="checkbox"/> Does Not <input type="checkbox"/> Not Observable <input type="checkbox"/> Not Applicable	Exception: Requirement does not apply.
C403.2.4 [ME66]	VAV fan motors >= 7.5 hp to be driven by variable speed drive, have a variable axial fan with variable pitch blades, or have controls to limit fan motor demand.	<input type="checkbox"/> Complies <input type="checkbox"/> Does Not <input type="checkbox"/> Not Observable <input type="checkbox"/> Not Applicable	Exception: Requirement does not apply.

COMcheck Software Version 4.1.5.5
Inspection Checklist
Energy Code: 2012 IECC

Requirements: 100.0% were addressed directly in the COMcheck software
Text in the "Comments/Assumptions" column is provided by the user in the COMcheck Requirements screen. For each requirement, the user certifies that a code requirement will be met and how that is documented, or that an exception is being claimed. Where compliance is itemized in a separate table, a reference to that table is provided.

Section # & Req. ID	Plan Review	Complies?	Comments/Assumptions
C103.2 [PR2]	Plans, specifications, and/or calculations provide all information with which compliance can be determined for the mechanical systems and equipment and document where exceptions to the standard are claimed. Load calculations per acceptable engineering standards and handbooks.	<input type="checkbox"/> Complies <input type="checkbox"/> Does Not <input type="checkbox"/> Not Observable <input type="checkbox"/> Not Applicable	Requirement will be met.
C103.2 [PR3]	Plans, specifications, and/or calculations provide all information with which compliance can be determined for the service water heating systems and equipment and document where exceptions to the standard are claimed. Hot water system sized per manufacturer's sizing guide.	<input type="checkbox"/> Complies <input type="checkbox"/> Does Not <input type="checkbox"/> Not Observable <input type="checkbox"/> Not Applicable	Requirement will be met.

Section # & Req. ID	Mechanical Rough-In Inspection	Complies?	Comments/Assumptions
C403.2.4 [ME66]	VAV fan motors >= 7.5 hp to be driven by variable speed drive, have a variable axial fan with variable pitch blades, or have controls to limit fan motor demand.	<input type="checkbox"/> Complies <input type="checkbox"/> Does Not <input type="checkbox"/> Not Observable <input type="checkbox"/> Not Applicable	Exception: Requirement does not apply.
C403.2.4 [ME66]	VAV fan motors >= 7.5 hp to be driven by variable speed drive, have a variable axial fan with variable pitch blades, or have controls to limit fan motor demand.	<input type="checkbox"/> Complies <input type="checkbox"/> Does Not <input type="checkbox"/> Not Observable <input type="checkbox"/> Not Applicable	Exception: Requirement does not apply.
C403.2.6 [ME57]	Exhaust air energy recovery on systems meeting Table C403.2.6	<input type="checkbox"/> Complies <input type="checkbox"/> Does Not <input type="checkbox"/> Not Observable <input type="checkbox"/> Not Applicable	Exception: Requirement does not apply.
C403.2.11 [ME71]	Unenclosed spaces that are heated use only radiant heat.	<input type="checkbox"/> Complies <input type="checkbox"/> Does Not <input type="checkbox"/> Not Observable <input type="checkbox"/> Not Applicable	Exception: Requirement does not apply.

Additional Comments/Assumptions:

Project Title: RUSS ALLEY
Data Filename: Z:\City Studios Architecture\1625-1633 Vine Street Apartments, Cincinnati, OH - 22190\MEPCOMcheck\1625 Mechanical COMcheck.cck
Report date: 05/16/23
Page 6 of 9

Section # & Req. ID	Final Inspection	Complies?	Comments/Assumptions
C403.2.4 [FI17]	Heating and cooling to each zone is controlled by a thermostat control. Minimum one humidity control device per installed humidification/dehumidification system.	<input type="checkbox"/> Complies <input type="checkbox"/> Does Not <input type="checkbox"/> Not Observable <input type="checkbox"/> Not Applicable	Requirement will be met.
C403.2.4 [FI17]	Heating and cooling to each zone is controlled by a thermostat control. Minimum one humidity control device per installed humidification/dehumidification system.	<input type="checkbox"/> Complies <input type="checkbox"/> Does Not <input type="checkbox"/> Not Observable <input type="checkbox"/> Not Applicable	Requirement will be met.
C403.2.4 [FI18]	Thermostatic controls have a 5 °F deadband.	<input type="checkbox"/> Complies <input type="checkbox"/> Does Not <input type="checkbox"/> Not Observable <input type="checkbox"/> Not Applicable	Requirement will be met.
C403.2.4 [FI20]	Temperature controls have setpoint overlap restrictions.	<input type="checkbox"/> Complies <input type="checkbox"/> Does Not <input type="checkbox"/> Not Observable <input type="checkbox"/> Not Applicable	Requirement will be met.
C403.2.4 [FI39]	Each zone equipped with setback controls using automatic time clock or programmable control system.	<input type="checkbox"/> Complies <input type="checkbox"/> Does Not <input type="checkbox"/> Not Observable <input type="checkbox"/> Not Applicable	Requirement will be met.
C403.2.4 [FI40]	Automatic Controls: Setback to 55°F (heat) and 65°F (cool), 7-day clock, hour occupant override, 10-hour backup.	<input type="checkbox"/> Complies <input type="checkbox"/> Does Not <input type="checkbox"/> Not Observable <input type="checkbox"/> Not Applicable	Requirement will be met.
C403.2.4 [FI41]	Systems include optimum start controls.	<input type="checkbox"/> Complies <input type="checkbox"/> Does Not <input type="checkbox"/> Not Observable <input type="checkbox"/> Not Applicable	Requirement will be met.
C403.2.4 [FI41]	Systems include optimum start controls.	<input type="checkbox"/> Complies <input type="checkbox"/> Does Not <input type="checkbox"/> Not Observable <input type="checkbox"/> Not Applicable	Requirement will be met.
C403.2.4 [FI41]	Systems include optimum start controls.	<input type="checkbox"/> Complies <input type="checkbox"/> Does Not <input type="checkbox"/> Not Observable <input type="checkbox"/> Not Applicable	Requirement will be met.
C403.2.4 [FI41]	Systems include optimum start controls.	<input type="checkbox"/> Complies <input type="checkbox"/> Does Not <input type="checkbox"/> Not Observable <input type="checkbox"/> Not Applicable	Requirement will be met.
C403.2.4 [FI7]	Heat pump controls prevent supplemental electric resistance heat from coming on when not needed.	<input type="checkbox"/> Complies <input type="checkbox"/> Does Not <input type="checkbox"/> Not Observable <input type="checkbox"/> Not Applicable	Requirement will be met.
C408.2.5 [FI7]	Furnished HVAC as-built drawings submitted within 90 days of system acceptance.	<input type="checkbox"/> Complies <input type="checkbox"/> Does Not <input type="checkbox"/> Not Observable <input type="checkbox"/> Not Applicable	Requirement will be met.
C303.3 [FI8]	Furnished O&M manuals for HVAC systems within 90 days of system acceptance.	<input type="checkbox"/> Complies <input type="checkbox"/> Does Not <input type="checkbox"/> Not Observable <input type="checkbox"/> Not Applicable	Requirement will be met.
C408.2.5 [FI8]	An air and/or hydronic system balancing report is provided for HVAC systems.	<input type="checkbox"/> Complies <input type="checkbox"/> Does Not <input type="checkbox"/> Not Observable <input type="checkbox"/> Not Applicable	Requirement will be met.

Project Title: RUSS ALLEY
Data Filename: Z:\City Studios Architecture\1625-1633 Vine Street Apartments, Cincinnati, OH - 22190\MEPCOMcheck\1625 Mechanical COMcheck.cck
Report date: 05/16/23
Page 7 of 9

Section # & Req. ID	Final Inspection	Complies?	Comments/Assumptions
C408.2.3 [FI10]	HVAC control systems have been tested to ensure proper operation, calibration and adjustment of controls.	<input type="checkbox"/> Complies <input type="checkbox"/> Does Not <input type="checkbox"/> Not Observable <input type="checkbox"/> Not Applicable	Requirement will be met.
C404.3 [FI11]	Public lavatory faucet water temperature <= 110°F.	<input type="checkbox"/> Complies <input type="checkbox"/> Does Not <input type="checkbox"/> Not Observable <input type="checkbox"/> Not Applicable	Requirement will be met.
C404.3 [FI11]	Public lavatory faucet water temperature <= 110°F.	<input type="checkbox"/> Complies <input type="checkbox"/> Does Not <input type="checkbox"/> Not Observable <input type="checkbox"/> Not Applicable	Requirement will be met.
C404.3 [FI45]	First 8 ft of outlet piping is insulated.	<input type="checkbox"/> Complies <input type="checkbox"/> Does Not <input type="checkbox"/> Not Observable <input type="checkbox"/> Not Applicable	Requirement will be met.
C404.3 [FI45]	First 8 ft of outlet piping is insulated.	<input type="checkbox"/> Complies <input type="checkbox"/> Does Not <input type="checkbox"/> Not Observable <input type="checkbox"/> Not Applicable	Requirement will be met.
C403.2.2 [FI27]	HVAC systems and equipment capacity does not exceed calculated loads.	<input type="checkbox"/> Complies <input type="checkbox"/> Does Not <input type="checkbox"/> Not Observable <input type="checkbox"/> Not Applicable	Requirement will be met.
C408.2.1 [FI28]	Commissioning plan developed by registered design professional or approved agency.	<input type="checkbox"/> Complies <input type="checkbox"/> Does Not <input type="checkbox"/> Not Observable <input type="checkbox"/> Not Applicable	Requirement will be met.
C408.2.4 [FI29]	Preliminary commissioning report completed and certified by registered design professional or approved agency.	<input type="checkbox"/> Complies <input type="checkbox"/> Does Not <input type="checkbox"/> Not Observable <input type="checkbox"/> Not Applicable	Requirement will be met.
C408.2.5 [FI40]	Final commissioning report due to building owner within 90 days of receipt of certificate of occupancy.	<input type="checkbox"/> Complies <input type="checkbox"/> Does Not <input type="checkbox"/> Not Observable <input type="checkbox"/> Not Applicable	Requirement will be met.
C408.2.3 [FI31]	HVAC equipment has been tested to ensure proper operation.	<input type="checkbox"/> Complies <input type="checkbox"/> Does Not <input type="checkbox"/> Not Observable <input type="checkbox"/> Not Applicable	Requirement will be met.

Project Title: RUSS ALLEY
Data Filename: Z:\City Studios Architecture\1625-1633 Vine Street Apartments, Cincinnati, OH - 22190\MEPCOMcheck\1625 Mechanical COMcheck.cck
Report date: 05/16/23
Page 8 of 9

Section # & Req. ID	Final Inspection	Complies?	Comments/Assumptions
C404.3 [PL5]	Temperature controls installed on service water heating systems (110°F for dwelling units and lavatories in public restrooms and 90°F for other occupancies).	<input type="checkbox"/> Complies <input type="checkbox"/> Does Not <input type="checkbox"/> Not Observable <input type="checkbox"/> Not Applicable	Requirement will be met.
C404.2 [PL4]	Heat traps installed on non-circulating storage water tanks.	<input type="checkbox"/> Complies <input type="checkbox"/> Does Not <input type="checkbox"/> Not Observable <input type="checkbox"/> Not Applicable	Requirement will be met.

Project Title: RUSS ALLEY
Data Filename: Z:\City Studios Architecture\1625-1633 Vine Street Apartments, Cincinnati, OH - 22190\MEPCOMcheck\1625 Mechanical COMcheck.cck
Report date: 05/16/23
Page 9 of 9

CONTRACTOR NOTE
IT IS THE RESPONSIBILITY OF THE CONTRACTOR TO NOTIFY THE ARCHITECT, LANDLORD AND TENANT OF ANY DISCREPANCIES ENCOUNTERED ON THE PLANS OR IN EXISTING SITE CONDITIONS PRIOR TO SUBMISSION OF BID.
BIDDERS ARE TO VISIT THE SITE AND FAMILIARIZE THEMSELVES WITH EXISTING CONDITIONS AND SATISFY THEMSELVES AS TO THE NATURE AND SCOPE OF THE WORK. THE BASE BID SHALL REFLECT MODIFICATIONS TO SYSTEMS AND DEVICES AS REQUIRED BY STATE, LOCAL, AND FEDERAL CODES WHETHER INDICATED OR NOT ON CONTRACT DOCUMENTS. THE SUBMISSIONS OF A BID WILL BE EVIDENCE THAT SUCH AN EXAMINATION AND COMPLIANCE WITH GOVERNING CODES/REQUIREMENTS HAS BEEN MADE. LATER CLAIMS FOR LABOR, EQUIPMENT, OR MATERIALS REQUIRED OR FOR DIFFICULTIES ENCOUNTERED WHICH COULD HAVE BEEN FORESEEN HAD AN EXAMINATION AND CODES/REQUIREMENTS REVIEW BEEN MADE, WILL NOT BE ALLOWED.

Section # & Req. ID	Plan Review	Complies?	Comments/Assumptions
C103.2 [PR2]	Plans, specifications, and/or calculations provide all information with which compliance can be determined for the mechanical systems and equipment and document where exceptions to the standard are claimed. Load calculations per acceptable engineering standards and handbooks.	<input type="checkbox"/> Complies <input type="checkbox"/> Does Not <input type="checkbox"/> Not Observable <input type="checkbox"/> Not Applicable	Requirement will be met.
C103.2 [PR3]	Plans, specifications, and/or calculations provide all information with which compliance can be determined for the service water heating systems and equipment and document where exceptions to the standard are claimed. Hot water system sized per manufacturer's sizing guide.	<input type="checkbox"/> Complies <input type="checkbox"/> Does Not <input type="checkbox"/> Not Observable <input type="checkbox"/> Not Applicable	Requirement will be met.

Project Title: RUSS ALLEY
Data Filename: Z:\City Studios Architecture\1625-1633 Vine Street Apartments, Cincinnati, OH - 22190\MEPCOMcheck\1625 Mechanical COMcheck.cck
Report date: 05/16/23
Page 2 of 9

Section # & Req. ID	Footing / Foundation Inspection	Complies?	Comments/Assumptions
C403.2.4 [FO9]	Freeze protection and snow/ice melting system sensors for future connection to controls.	<input type="checkbox"/> Complies <input type="checkbox"/> Does Not <input type="checkbox"/> Not Observable <input type="checkbox"/> Not Applicable	Exception: Requirement does not apply.

Project Title: RUSS ALLEY
Data Filename: Z:\City Studios Architecture\1625-1633 Vine Street Apartments, Cincinnati, OH - 22190\MEPCOMcheck\1625 Mechanical COMcheck.cck
Report date: 05/16/23
Page 3 of 9

Section # & Req. ID	Plumbing Rough-In Inspection	Complies?	Comments/Assumptions
C404.3 [PL5]	Temperature controls installed on service water heating systems (110°F for dwelling units and lavatories in public restrooms and 90°F for other occupancies).	<input type="checkbox"/> Complies <input type="checkbox"/> Does Not <input type="checkbox"/> Not Observable <input type="checkbox"/> Not Applicable	Requirement will be met.
C404.2 [PL4]	Heat traps installed on non-circulating storage water tanks.	<input type="checkbox"/> Complies <input type="checkbox"/> Does Not <input type="checkbox"/> Not Observable <input type="checkbox"/> Not Applicable	Requirement will be met.

Project Title: RUSS ALLEY
Data Filename: Z:\City Studios Architecture\1625-1633 Vine Street Apartments, Cincinnati, OH - 22190\MEPCOMcheck\1625 Mechanical COMcheck.cck
Report date: 05/16/23
Page 4 of 9

NOTE: ALL SYMBOLS MAY NOT APPLY (TYPICAL FOR ALL SYMBOL LEGENDS)

ELECTRICAL SYMBOL LEGEND			
SYMBOL	CODED PLAN NOTE	DETAIL # SHEET #	REFERENCE TAG
XX	EQUIPMENT DESIGNATION	XXX	
MDP-22	CIRCUIT DESIGNATION PANEL DESIGNATION - CIRCUIT NUMBER		
A	ELECTRIC UTILITY KEY BOX	3	WALL SWITCH-NUMBER INDICATES 2 POLE, 3 OR 4 WAY (NO NUMBER FOR SINGLE POLE) LOWER CASE LETTER INDICATES FIXTURE(S) TO BE CONTROLLED BY SWITCH
F1	FANLIGHT COMBINATION FIXTURE	a	
F2	EXHAUST FAN	D	DIMMER SWITCH
J	JUNCTION BOX	F	CEILING FAN SPEED CONTROL SWITCH
NF	NON-FUSED DISCONNECT SWITCH	K	KEY-OPERATED SWITCH
FDS	FUSED DISCONNECT SWITCH	M	MOTOR RATED DISCONNECT SWITCH
M	MOTOR	OS	OCCUPANCY SENSOR WALL SWITCH GREENGATE #0NHW-D-1001-MV OR EQUAL
P	PUSH BUTTON	OR	OVERRIDE SWITCH
B	BUZZER/BELL	PL	SWITCH WITH PILOT LIGHT
LVT	LOW VOLTAGE TRANSFORMER		TIMER SWITCH GREENGATE #TSM-MV OR EQUAL
SR	SINGLE RECEPTACLE 20A, 120V	OS	WALL MOUNT OCCUPANCY SENSOR GREENGATE #0AHC-DT-120W OR EQUAL
SR	SPECIAL RECEPTACLE	CS	CEILING MOUNT OCCUPANCY SENSOR GREENGATE #0AC-DT-2000-R OR EQUAL
DR	DUPLEX RECEPTACLE 20A, 120V	SP	SWITCH PACK FOR OCCUPANCY SENSOR
QR	QUADRUPLEX RECEPTACLE 20A, 120V	CO	PHOTOCELL
GR	GFCI DUPLEX RECEPTACLE 20A, 120V	TC	TIMECLOCK
QR	GFCI QUADRUPLEX RECEPTACLE 20A, 120V	BA	CURRENT LIMITING DEVICE - NUMBER INDICATES MAX AMPERAGE OF DEVICE
IG	IG DUPLEX RECEPTACLE 20A, 120V	PP	POWER POLE
IG	IG QUADRUPLEX RECEPTACLE 20A, 120V	W	3/4" CONDUIT STUB AND BOX FOR WALL PHONE WIRING BY OTHERS
IG	IG QUADRUPLEX RECEPTACLE 20A, 120V	W	3/4" CONDUIT STUB AND BOX FOR PHONE WIRING BY OTHERS
IG	SPLIT WIRED DUPLEX RECEPTACLE 20A, 120V	W	3/4" CONDUIT STUB AND BOX FOR DATA WIRING BY OTHERS
IG	SPLIT WIRED QUADRUPLEX RECEPTACLE 20A, 120V	W	3/4" CONDUIT STUB AND BOX FOR DATA WIRING BY OTHERS
TL	TWISTLOCK RECEPTACLE	W	3/4" CONDUIT STUB AND BOX FOR DATA/PHONE WIRING BY OTHERS
TL	FLUSH MTS AS INDICATED BY BOX AROUND DEVICE, FLOOR, CLG/CEILING	TV	TELEVISION OUTLET
WA	SURFACE MOUNT PANELBOARD/LOADCENTER	WA	WIRELESS ACCESS
MB	FLUSH MOUNT PANELBOARD/LOADCENTER	MB	MEDIA BOX DEMARC LOCATION
UM	UTILITY SERVICE METER	OP	OVERHEAD PROJECTOR
UPS	PLUGWOLD - SEE PLAN VIEW FOR SPECIFIC LENGTHS	UPS	UNINTERRUPTIBLE POWER SUPPLY
ANNC	GENERATOR ANNUNCIATOR		

ELECTRICAL NOTATIONS			
AC	ABOVE COUNTER	LV	LOW VOLTAGE
AFF	ABOVE FINISHED FLOOR	MBJ	MAIN BONDING JUMPER
AFG	ABOVE FINISHED GRADE	MC	MECHANICAL CONTRACTOR
BPS	BOLTED PRESSURE SWITCH	MTD	MOUNTED
CLG	CEILING MOUNTED	NTS	NOT TO SCALE
CKT	CIRCUIT	(PART)	INDICATES CIRCUIT USED ELSEWHERE
EC	ELECTRICAL CONTRACTOR	PC	PLUMBING CONTRACTOR
EM	EMERGENCY	SSBJ	SUPPLY-SIDE BONDING JUMPER
ETR	EXISTING TO REMAIN	SUC	SITE UTILITY CONTRACTOR
FLR	FLOOR MOUNTED	TYP	TYPICAL
FSC	FIRE SUPPRESSION CONTRACTOR	UG	UNDERGROUND
GC	GENERAL CONTRACTOR	UNO	UNLESS NOTED OTHERWISE
GFCI	GROUND FAULT CIRCUIT INTERRUPTER	WP	WEATHERPROOF
GFEP	GROUND FAULT EQUIPMENT PROTECTION	WG	WIRE GUARD
GND	GROUND	WR	WEATHER RESISTANT
HC	HVAC CONTRACTOR	XX*	DIMENSIONED HEIGHT
IG	ISOLATED GROUND		

NOTE: ALL SYMBOLS MAY NOT APPLY (TYPICAL FOR ALL SYMBOL LEGENDS)

FIRE ALARM SYMBOL LEGEND			
FACP	FIRE ALARM CONTROL PANEL	NFC	NOTIFICATION CIRCUIT POWER BOOSTER PANEL # = UNIT NUMBER
FAA	FIRE ALARM ANNUNCIATOR	BATT	BATTERY CABINET
EVAC	VOICE EVACUATION CONTROL UNIT	ARC	AREA OF REFUGES EM COMMUNICATION SYSTEM - MASTER UNIT
MIC	REMOTE VOICE EVACUATION MICROPHONE	ARC	AREA OF REFUGES EM COMMUNICATION SYSTEM - REMOTE UNIT
F	MANUAL PULL STATION	CO	CARBON MONOXIDE DETECTOR
S	SMOKE DETECTOR	SA	SMOKE ALARM WITH SOUNDER BASE
P	SMOKE DETECTOR P = PHOTOELECTRIC	BT	SMOKE DETECTOR BT = BEAM TRANSMITTER
R	SMOKE DETECTOR R = IONIZATION	BR	SMOKE DETECTOR BR = BEAM RECEIVER
D	SMOKE DETECTOR IN DUCT	RTS	REMOTE TEST STATION
H	HEAT DETECTOR	VB	VIBRATING BELL
H	HORN	HS	HORN STROBE COMBINATION
W	WALL MOUNT STROBE	C	CEILING MOUNT STROBE
H	CEILING MOUNT HORN	HS	CEILING MOUNT HORN STROBE COMBINATION
WF	WATER FLOW SWITCH	DH	DOOR HOLDER
VS	VALVE SUPERVISORY SWITCH	DCL	DOOR CLOSER
PS	PRESSURE SWITCH	AM	ADDRESSABLE INPUT MODULE
FDK	FIRE DEPARTMENT KEY BOX		

ELECTRICAL LINETYPE LEGEND	
---	GENERAL DEMO
---	GENERAL EXISTING
---	SWITCH LEG
---	UNDERGROUND ELECTRIC
---	UNDERGROUND ELECTRIC (ABANDONED)
---	(D)UGE - UNDERGROUND ELECTRIC (DEMO)
---	(E)UGE - UNDERGROUND ELECTRIC (EXISTING)
---	LV - LOW VOLTAGE
---	(AB)LV - LOW VOLTAGE (ABANDONED)
---	(D)LV - LOW VOLTAGE (DEMO)
---	(E)LV - LOW VOLTAGE (EXISTING)
---	UGLV - UNDERGROUND LOW VOLTAGE
---	(AB)UGLV - UNDERGROUND LOW VOLTAGE (ABANDONED)
---	(D)UGLV - UNDERGROUND LOW VOLTAGE (DEMO)
---	(E)UGLV - UNDERGROUND LOW VOLTAGE (EXISTING)

- MAIN ELECTRICAL GENERAL NOTES:**
- ALL ELECTRICAL INSTALLATIONS MUST COMPLY WITH THE NATIONAL ELECTRICAL CODE (NEC) AND ALL STATE AND LOCAL CODES.
 - ELECTRICAL SERVICE TO BE INSTALLED IN COMPLIANCE WITH NEC ARTICLE 230.
 - CONTRACTOR SHALL OBTAIN FAULT CURRENT INFORMATION FROM UTILITY COMPANY AND PERFORM SHORT CIRCUIT CALCULATIONS, SIZE FUSES AND EQUIPMENT A.I.C. RATINGS ACCORDINGLY.
 - CONTRACTOR SHALL INSTALL A SEPARATE EQUIPMENT GROUNDING CONDUCTOR SIZED PER NEC TABLE 250.122 FOR ALL BRANCH CIRCUITS INSTALLED IN NON-METALLIC CONDUITS. METALLIC CONDUITS MAY BE USED AS EQUIPMENT GROUNDING CONDUCTORS PER NEC.
 - CONTRACTOR SHALL VERIFY ALL WIRE SIZING DUE TO VOLTAGE DROP CAUSED BY IN-FIELD ROUTING / INSTALLATION DISTANCES.
 - SERVICE ENTRANCE EQUIPMENT SHALL BE GROUNDED WITH A SEPARATE COPPER OR ALUMINUM CONDUCTOR AS INDICATED ON THE DRAWINGS AND PER NEC ARTICLE 250.52(A). GROUNDING CONDUCTOR SHALL ALSO BE CONNECTED TO A 5/8" DIAMETER X 8'-0" LONG GROUND ROD FOR SUPPLEMENTAL GROUNDING PER NEC ARTICLE 250.54.
 - CONTRACTOR IS RESPONSIBLE FOR LABELING ALL PANELS, DISCONNECTS, LIGHTING CONTROLLERS, ETC. AND ALL CIRCUIT BREAKERS IN THE DISTRIBUTION PANELS PRIOR TO PROJECT COMPLETION. PROVIDE A TYPED DIRECTORY OF ALL CIRCUITS. BREAKERS USED FOR SWITCHING SHALL BE RATED ACCORDINGLY.
 - CONTRACTOR SHALL SUPPLY AND INSTALL ALL NEC REQUIRED EQUIPMENT DISCONNECTS (NOT ALL DISCONNECTS MAY BE SHOWN ON THE DRAWINGS). CONTRACTOR SHALL VERIFY ALL DISCONNECT SIZING WITH EACH EQUIPMENT NAMEPLATE RATING.
 - CONTRACTOR IS RESPONSIBLE TO SECURE AND PAY FOR ALL PERMITS. CONTRACTOR SHALL COMPLY WITH ALL STATE, LOCAL, AND NATIONAL CODES. CONTRACTOR SHALL SCHEDULE INSPECTIONS SO JOB PROGRESS IS NOT DELAYED.
 - CONTRACTOR SHALL SUPPLY AND INSTALL ALL EQUIPMENT IN NEW CONDITION AND U.L. LISTED UNLESS NOTED OTHERWISE.
 - CONTRACTOR SHALL MAKE ARRANGEMENTS WITH LOCAL POWER COMPANY FOR THE INSTALLATION OF NEW ELECTRICAL SERVICE AND METER. INSTALL NEW SERVICE DISTRIBUTION EQUIPMENT AS SPECIFIED ON ELECTRICAL DRAWINGS.
 - CONTRACTOR SHALL COORDINATE ALL ELECTRICAL WORK WITH OTHER TRADES AND ARCHITECTURAL DRAWINGS TO ELIMINATE CONFLICTS.
 - PRIOR TO CONSTRUCTION START, CONTRACTOR SHALL SUBMIT SHOP DRAWINGS AND OPERATION MANUALS FOR ALL EQUIPMENT AND ACCESSORIES FOR OWNER APPROVAL.
 - CONTRACTOR SHALL PERFORM ALL WORK IN A NEAT AND PROFESSIONAL MANNER.
 - PROVIDE FLEXIBLE CONDUIT FOR ALL VIBRATING EQUIPMENT. PROVIDE FLEXIBLE CONDUIT FOR LIGHT FIXTURE CONNECTIONS.
 - CONTRACTOR IS RESPONSIBLE FOR VERIFYING ELECTRICAL EQUIPMENT INFORMATION WITH MANUFACTURERS. CONTRACTOR SHALL PROVIDE ANY ADDITIONAL ELECTRICAL CONNECTIONS OR SERVICES TO EQUIPMENT WHICH ARE NOT SHOWN ON DRAWINGS.
 - ALL PENETRATIONS OF WALL, ROOF, AND CEILINGS TO BE SEALED AS REQUIRED WITH U.L. APPROVED FIRE SEALANT TO MAINTAIN FIRE RATING AS REQUIRED. ALL ROOF PENETRATIONS, IF APPLICABLE, ARE TO BE COORDINATED WITH THE OWNER'S DESIGNATED ROOFING CONTRACTOR.
 - ELECTRICAL EQUIPMENT EXPOSED TO WEATHER CONDITIONS SHALL BE WEATHERPROOF TYPE. CONDUIT EXPOSED TO WEATHER CONDITIONS OR IN CONTACT WITH CONCRETE SHALL BE POLYVINYL CHLORIDE (PVC) OR GALVANIZED HEAVY WALL STEEL (GRC).
 - ALL EXTERIOR RECEPTACLES SHALL BE WEATHER RESISTANT AS WELL AS WEATHERPROOF PER NEC 406.9.
 - CONTRACTOR SHALL SUBMIT AS-BUILT DRAWINGS TO THE OWNER IF INSTALLATION VARIES FROM THE CONTRACT DRAWINGS.
 - ANY CONDUIT AND WIRE SIZES SHOWN ARE MINIMUMS. CONTRACTOR SHALL INCREASE SIZES (DUE TO VOLTAGE DROP, QUANTITY OF CURRENT CARRYING CONDUCTORS IN THE SAME CONDUIT/TRACEWAY, ETC.) AS REQUIRED BY THE NEC.
 - ROOFTOP EQUIPMENT (IF APPLICABLE) CONTRACTOR SHALL INSTALL A WEATHERPROOF DISCONNECT FOR EACH UNIT. CONDUITS SHALL ENTER THE UNDERSIDE OF EACH HVAC UNIT FROM WITHIN THE CURBED AREA FOR THAT UNIT (THEREBY AVOIDING PENETRATIONS THROUGH THE ROOF MEMBRANE). IF J-BOX IS USED FOR SUPPLYING POWER TO MULTIPLE UNITS, THE J-BOX MUST BE LOCATED WITHIN 25 FEET OF EACH UNIT'S DISCONNECT PER THE N.E.C. ARTICLE 240.21(B)(2). CONTRACTOR SHALL SUPPLY AND INSTALL A 120 VAC WEATHERPROOF GFCI RECEPTACLE WITHIN 25' OF EACH UNIT.
 - ALL CONTRACTORS, PRIOR TO BID SUBMISSION PROCESS, SHALL VISIT PROPOSED WORK SITE AND FIELD VERIFY ALL EXISTING CONDITIONS. ANY CONDITIONS THAT DIFFER FROM THAT SHOWN ON THIS PLAN SHALL BE REPORTED TO THE ARCHITECT/ENGINEER SO THAT NEW AND REVISED BID DRAWINGS OR INFORMATION MAY BE ISSUED. MODIFICATIONS TO SCOPE OF WORK WHICH RESULT FROM CONTRACTORS NEGLIGENCE TO VISIT THE SITE PRIOR TO BID SUBMISSION SHALL BE CONTRACTOR'S SOLE RESPONSIBILITY.

ELECTRICAL SHEET INDEX	
SHEET NO.	SHEET DESCRIPTION
E0.1	ELECTRICAL COVER SHEET
E1.0	BASEMENT LIGHTING PLAN
E1.1	FIRST FLOOR LIGHTING PLAN
E1.2	SECOND FLOOR LIGHTING PLAN
E1.3	THIRD FLOOR LIGHTING PLAN
E1.4	FOURTH FLOOR LIGHTING PLAN
E1.5	ATTIC LIGHTING PLAN
E2.0	BASEMENT POWER PLAN
E2.1	FIRST FLOOR POWER PLAN
E2.2	SECOND FLOOR POWER PLAN
E2.3	THIRD FLOOR POWER PLAN
E2.4	FOURTH FLOOR POWER PLAN
E2.5	ATTIC POWER PLAN
E2.6	ROOF POWER PLAN
E5.1	ELECTRICAL DETAILS
E6.1	ELECTRICAL SCHEDULES & RISER DIAGRAM
E8.1	ENERGY CODE COMPLIANCE

CONTRACTOR NOTE

IT IS THE RESPONSIBILITY OF THE CONTRACTOR TO NOTIFY THE ARCHITECT, LANDLORD AND TENANT OF ANY DISCREPANCIES ENCOUNTERED ON THE PLANS OR IN EXISTING SITE CONDITIONS PRIOR TO SUBMISSION OF BID.

BIDDERS ARE TO VISIT THE SITE AND FAMILIARIZE THEMSELVES WITH EXISTING CONDITIONS AND SATISFY THEMSELVES AS TO THE NATURE AND SCOPE OF THE WORK. THE BASE BID SHALL REFLECT MODIFICATIONS TO SYSTEMS AND DEVICES AS REQUIRED BY STATE, LOCAL, AND FEDERAL CODES WHETHER INDICATED OR NOT ON CONTRACT DOCUMENTS. THE SUBMISSIONS OF A BID WILL BE EVIDENCE THAT SUCH AN EXAMINATION AND COMPLIANCE WITH GOVERNING CODES/REQUIREMENTS HAS BEEN MADE. LATER CLAIMS FOR LABOR, EQUIPMENT, OR MATERIALS REQUIRED OR FOR DIFFICULTIES ENCOUNTERED WHICH COULD HAVE BEEN FORESEEN HAD AN EXAMINATION AND CODE/REQUIREMENTS REVIEW BEEN MADE, WILL NOT BE ALLOWED.

ELECTRICAL COVER SHEET

E0.1

NOT FOR CONSTRUCTION

CITYSTUDIOS ARCHITECTURE
1148 Main Street
Cincinnati, OH 45202
ph. 513.621.0750
citystudiosarch.com

advantage
STRUCTURAL ENGINEERS
1527 Madison Road
Cincinnati, OH 45206
513.396.8900
www.advantageSE.com

VIXO&VIXO
Civil Engineers, Surveyors, and Landscape Architects
1833 Madison Avenue, Cincinnati, OH 45202
PH: 513.263.1200 FAX: 513.263.1208 WWW.VIXO.COM

PE ENGINEERS
CONSULTANTS FOR THE MIDDLE WEST
1475 S. WILSON AVENUE
LEBANON, OH 45046
9 North Broadway
Lebanon, OH 45046
513-836-3810

RUSS ALLEY
1623 - 1625 VINE STREET, 1624 REPUBLIC STREET
(1625 VINE HPTC APPLICATION)
CINCINNATI, OH 45202

3CDCG CINCINNATI CENTER CITY DEVELOPMENT CORPORATION

ISSUE LOG:
04.02.2023
ISSUE FOR PERMIT
09.21.2023
CHFA PRELIM. SUBMISSION

GENERAL NOTES:

- A. ALL WORK SHALL MEET OR EXCEED ALL NEC STANDARDS.
- B. SEE MAIN ELECTRICAL GENERAL NOTES FOR MORE INFORMATION.
- C. COORDINATE ALL WORK WITH OTHER TRADES PRIOR TO ROUGH-IN.
- D. VERIFY EXACT LOCATIONS AND MOUNTING HEIGHTS FOR ALL FIXTURES AND DEVICES PRIOR TO ROUGH-IN.
- E. ALL EXIT/EMERGENCY LIGHTING SHALL BE PROVIDED WITH AN UNSWITCHED CONDUCTOR ON THE INDICATED CIRCUIT.
- F. ALL FIXTURES SHOWN WITH A "NL" TAG SHALL BE CONSIDERED A NIGHT LIGHT AND BE CONNECTED AHEAD OF ALL CONTROLS.
- G. VERIFY THE COLOR WHITE FOR ALL FIXTURES, DEVICES, AND COVER PLATES WITH OWNER.
- H. ALL LIGHT FIXTURES INSTALLED IN CLOTHES CLOSETS SHALL CONFORM TO NEC ARTICLE 410.16.
- I. FOR ALL OCCUPANCY SENSORS, PROVIDE SWITCHPACK AND ALL OTHER REQUIRED HARDWARE WHERE NECESSARY. COORDINATE ALL SETTINGS WITH OWNER PRIOR TO ROUGH-IN.
- J. PROVIDE PHOTOCELL CONTROL FOR ALL EXTERIOR LIGHTING AND SIGNAGE. COORDINATE ALL SETTINGS WITH OWNER.
- K. ALL CEILING FANS SHALL BE CENTERED IN SPACE / ROOM.

NOT FOR CONSTRUCTION

CITYSTUDIOS ARCHITECTURE
1148 Main Street
Cincinnati, OH 45202
ph: 513.621.0750
citystudiosarch.com

advantage
STRUCTURAL ENGINEERS
1527 Madison Road
Cincinnati, OH 45206
513.396.8900
www.advantageSE.com

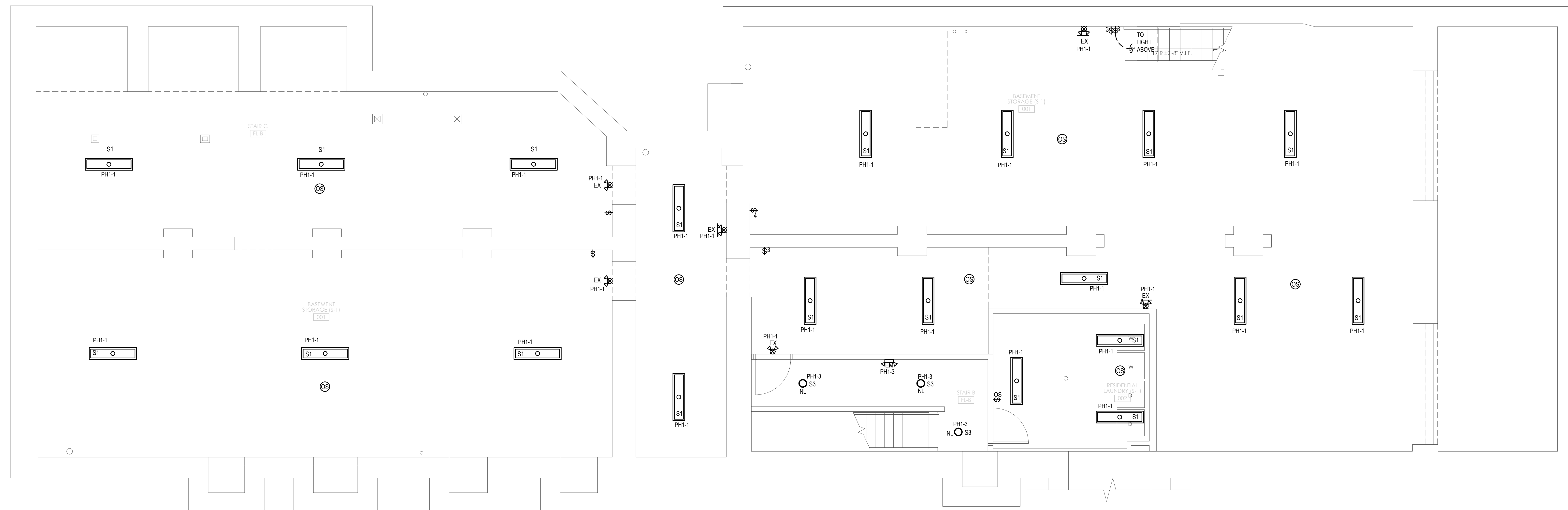
VIOX & VIOX
Civil Engineers, Surveyors, and Landscape Architects
16533 Blue Ash Road, Suite 100
Blue Ash, OH 45215
Phone: (513) 233-1200 • Fax: (513) 233-1208 • www.viox.com

PE Services
CONSULTING FOR THE BUILDING INDUSTRY
4-513-836-3810
www.PEServices.com
9 North Broadway
Lebanon, OH 45046
513-836-3810

RUSS ALLEY
1623 - 1625 VINE STREET, 1624 REPUBLIC STREET
(1625 VINE HPTC APPLICATION)
CINCINNATI, OH 45202

3CDC CINCINNATI CENTER CITY DEVELOPMENT CORPORATION

ISSUE LOG:
04.02.2023
ISSUE FOR PERMIT
09.21.2023
CHFA PRELIM. SUBMISSION



BASEMENT LIGHTING PLAN | 1
1/4" = 1'-0" | E1.0



CONTRACTOR NOTE
IT IS THE RESPONSIBILITY OF THE CONTRACTOR TO NOTIFY THE ARCHITECT, LANDLORD AND TENANT OF ANY DISCREPANCIES ENCOUNTERED ON THE PLANS OR IN EXISTING SITE CONDITIONS PRIOR TO SUBMISSION OF BID.
BIDDERS ARE TO VISIT THE SITE AND FAMILIARIZE THEMSELVES WITH EXISTING CONDITIONS AND SATISFY THEMSELVES AS TO THE NATURE AND SCOPE OF THE WORK. THE BASE BID SHALL REFLECT MODIFICATIONS TO SYSTEMS AND DEVICES AS REQUIRED BY STATE, LOCAL AND FEDERAL CODES WHETHER INDICATED OR NOT ON CONTRACT DOCUMENTS. THE SUBMISSIONS OF A BID WILL BE EVIDENCE THAT SUCH AN EXAMINATION AND COMPLIANCE WITH GOVERNING CODES/REQUIREMENTS HAS BEEN MADE. LATER CLAIMS FOR LABOR, EQUIPMENT, OR MATERIALS REQUIRED OR FOR DIFFICULTIES ENCOUNTERED WHICH COULD HAVE BEEN FORESEEN HAD AN EXAMINATION AND CODES/REQUIREMENTS REVIEW BEEN MADE, WILL NOT BE ALLOWED.

BASEMENT LIGHTING PLAN

E1.0

(THESE GENERAL AND PLAN NOTES APPLY TO ALL ELECTRICAL TYPICAL UNIT PLANS - ALL PLAN NOTES MAY NOT APPLY TO EVERY SHEET)

GENERAL NOTES:

- A. ALL WORK SHALL MEET OR EXCEED THE MOST CURRENT EDITION OF THE NATIONAL ELECTRICAL CODE, STATE CODE(S) AND LOCAL CODE(S).
- B. WHEN CONFLICTS OCCUR BETWEEN THE PLANS AND OR SPECS WITH ANY LOCAL CODES, THE MOST STRINGENT REQUIREMENTS APPLY.
- C. SEE MAIN ELECTRICAL GENERAL NOTES, SYMBOL LEGEND, LUMINAIRE SCHEDULE, LINETYPE LEGEND, AND ELECTRICAL NOTATIONS ON THE ELECTRICAL COVER SHEET FOR MORE INFORMATION.
- D. VERIFY EXACT LOCATIONS AND MOUNTING HEIGHTS FOR ALL FIXTURES AND DEVICES PRIOR TO ROUGH-IN.
- E. ALL SWITCHES, RECEPTACLES, ETC. AND COVER PLATES TO BE THE COLOR WHITE. COORDINATE WITH ARCHITECT, OWNER, COMMUNICATIONS CONTRACTOR, AND INTERIOR DESIGNER.
- F. COORDINATE ALL WORK WITH OTHER TRADES PRIOR TO ROUGH-IN.
- G. DEVICES INSTALLED IN FIRE SEPARATION WALLS / CEILINGS SHALL BE INSTALLED IN ACCORDANCE WITH THE LISTING AND LABELING OF THE RATED ASSEMBLY. DO NOT INSTALL OUTLET BOXES WITHIN THE SAME STUD SPACE.
- H. ALL PRODUCTS USED FOR FIRE-STOP SYSTEMS SHALL BE RATED FOR COMMERCIAL CONSTRUCTION.
- I. UNLESS NOTED OTHERWISE, SEE MOUNTING HEIGHT DETAILS FOR ALL DEVICES. SEE ADA MOUNTING DETAILS FOR THE APPROPRIATE UNITS.
- J. PANEL DESIGNATIONS WERE LEFT OFF EACH CIRCUIT TAG. THE NUMBER SHOWN NEXT TO EACH DEVICE/FIXTURE REPRESENTS THE CIRCUIT NUMBER AS SHOWN IN THE PANEL SCHEDULE FOR THIS UNIT TYPE.
- K. PROVIDE SURGE PROTECTION PER NEC 230.67.
- L. ALL FIXTURES SHOWN WITH A "NL" TAG SHALL BE CONSIDERED A NIGHT LIGHT AND BE CONNECTED AHEAD OF ALL CONTROLS.
- M. VERIFY THE COLOR OF ALL FIXTURES, DEVICES, AND COVER PLATES WITH OWNER.
- N. ALL LIGHT FIXTURES INSTALLED IN CLOTHES CLOSETS SHALL CONFORM TO NEC ARTICLE 410.16.
- O. FOR ALL OCCUPANCY SENSORS, PROVIDE SWITCHPACK AND ALL OTHER REQUIRED HARDWARE WHERE NECESSARY. COORDINATE ALL SETTINGS WITH OWNER PRIOR TO ROUGH-IN.
- P. PROVIDE PHOTOCELL CONTROL FOR ALL EXTERIOR LIGHTING. COORDINATE ALL SETTINGS WITH OWNER.
- Q. ALL CEILING FANS SHALL BE CENTERED IN SPACE / ROOM.

NOT FOR CONSTRUCTION

CITYSTUDIOS ARCHITECTURE
1148 Main Street
Cincinnati, OH 45202
ph: 513.621.0750
citystudiosarch.com

advantage
STRUCTURAL ENGINEERS
1527 Madison Road
Cincinnati, OH 45206
513.396.8900
www.advantageSE.com

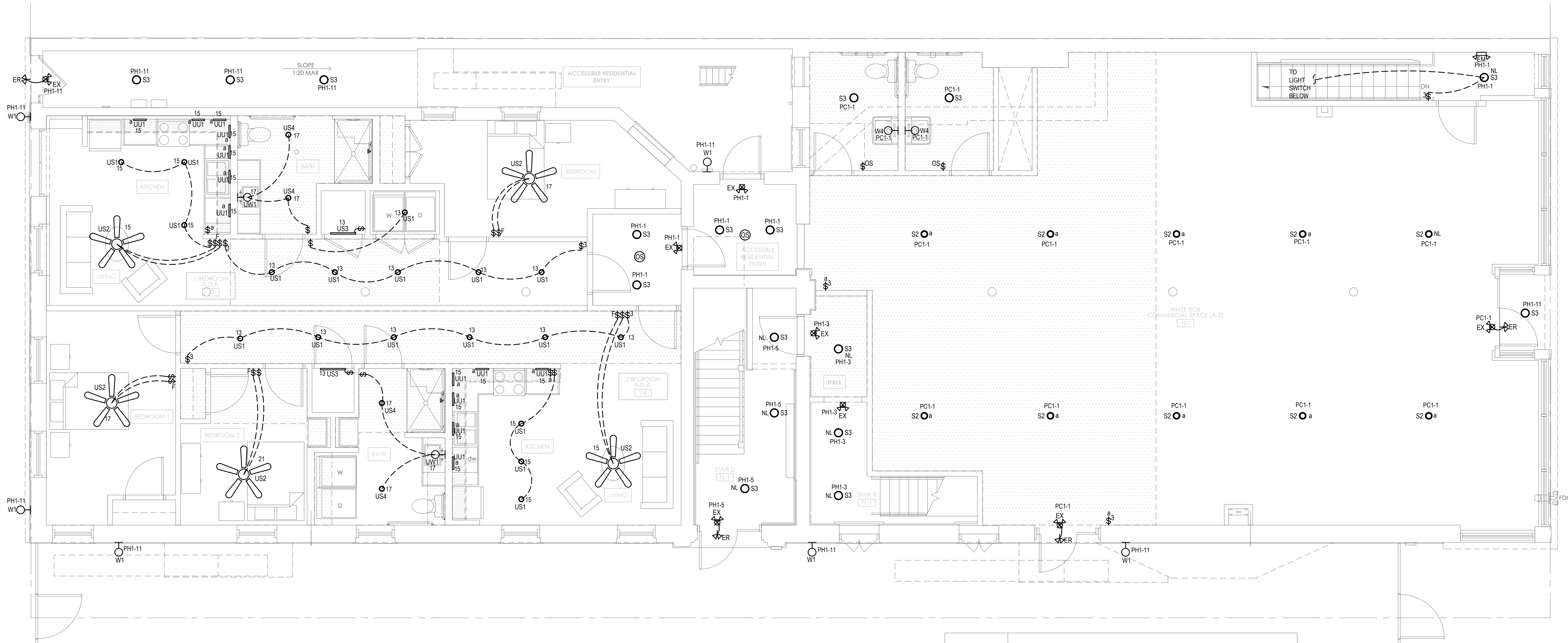
VIOX & VIOX
Civil Engineers, Surveyors, and Landscape Architects
1653 Springdale Avenue, Cincinnati, OH 45219
Phone: (513) 233-1200 • Fax: (513) 233-1204 • www.viox.com

PE Services
CONSULTING FOR THE BUILDING INDUSTRY
9 North Broadway
Lebanon, OH 45046
513-836-3810

RUSS ALLEY
1623 - 1625 VINE STREET, 1624 REPUBLIC STREET
(1625 VINE HPTC APPLICATION)
CINCINNATI, OH 45202

3CDC CINCINNATI CENTER CITY DEVELOPMENT CORPORATION

ISSUE LOG:
04.02.2023
ISSUE FOR PERMIT
09.21.2023
OHFA PRELIM. SUBMISSION



FIRST FLOOR LIGHTING PLAN | 1
1/4" = 1'-0" | E1.1



CONTRACTOR NOTE
IT IS THE RESPONSIBILITY OF THE CONTRACTOR TO NOTIFY THE ARCHITECT, LANDLORD AND TENANT OF ANY DISCREPANCIES ENCOUNTERED ON THE PLANS OR IN EXISTING SITE CONDITIONS PRIOR TO SUBMISSION OF BID.
BIDDERS ARE TO VISIT THE SITE AND FAMILIARIZE THEMSELVES WITH EXISTING CONDITIONS AND SATISFY THEMSELVES AS TO THE NATURE AND SCOPE OF THE WORK. THE BASE BID SHALL REFLECT MODIFICATIONS TO SYSTEMS AND DEVICES AS REQUIRED BY STATE, LOCAL AND FEDERAL CODES WHETHER INDICATED OR NOT ON CONTRACT DOCUMENTS. THE SUBMISSIONS OF A BID WILL BE EVIDENCE THAT SUCH AN EXAMINATION AND COMPLIANCE WITH GOVERNING CODES/REQUIREMENTS HAS BEEN MADE. LATER CLAIMS FOR LABOR, EQUIPMENT, OR MATERIALS REQUIRED OR FOR DIFFICULTIES ENCOUNTERED WHICH COULD HAVE BEEN FORESEEN HAD AN EXAMINATION AND CODES/REQUIREMENTS REVIEW BEEN MADE, WILL NOT BE ALLOWED.

FIRST FLOOR LIGHTING PLAN

E1.1

(THESE GENERAL AND PLAN NOTES APPLY TO ALL ELECTRICAL TYPICAL UNIT PLANS - ALL PLAN NOTES MAY NOT APPLY TO EVERY SHEET)

GENERAL NOTES:

- A. ALL WORK SHALL MEET OR EXCEED THE MOST CURRENT EDITION OF THE NATIONAL ELECTRICAL CODE, STATE CODE(S) AND LOCAL CODE(S).
- B. WHEN CONFLICTS OCCUR BETWEEN THE PLANS AND OR SPECS WITH ANY LOCAL CODES, THE MOST STRINGENT REQUIREMENTS APPLY.
- C. SEE MAIN ELECTRICAL GENERAL NOTES, SYMBOL LEGEND, LUMINAIRE SCHEDULE, LINE TYPE LEGEND, AND ELECTRICAL NOTATIONS ON THE ELECTRICAL COVER SHEET FOR MORE INFORMATION.
- D. VERIFY EXACT LOCATIONS AND MOUNTING HEIGHTS FOR ALL FIXTURES AND DEVICES PRIOR TO ROUGH-IN.
- E. ALL SWITCHES, RECEPTACLES, ETC. AND COVER PLATES TO BE THE COLOR WHITE. COORDINATE WITH ARCHITECT, OWNER, COMMUNICATIONS CONTRACTOR, AND INTERIOR DESIGNER.
- F. COORDINATE ALL WORK WITH OTHER TRADES PRIOR TO ROUGH-IN.
- G. DEVICES INSTALLED IN FIRE SEPARATION WALLS / CEILINGS SHALL BE INSTALLED IN ACCORDANCE WITH THE LISTING AND LABELING OF THE RATED ASSEMBLY. DO NOT INSTALL OUTLET BOXES WITHIN THE SAME STUD SPACE.
- H. ALL PRODUCTS USED FOR FIRE-STOP SYSTEMS SHALL BE RATED FOR COMMERCIAL CONSTRUCTION.
- I. UNLESS NOTED OTHERWISE, SEE MOUNTING HEIGHT DETAILS FOR ALL DEVICES. SEE ADA MOUNTING DETAILS FOR THE APPROPRIATE UNITS.
- J. PANEL DESIGNATIONS WERE LEFT OFF EACH CIRCUIT TAG, THE NUMBER SHOWN NEXT TO EACH DEVICE/FIXTURE REPRESENTS THE CIRCUIT NUMBER AS SHOWN IN THE PANEL SCHEDULE FOR THIS UNIT TYPE.
- K. PROVIDE SURGE PROTECTION PER NEC 230.67.
- L. ALL FIXTURES SHOWN WITH A "NL" TAG SHALL BE CONSIDERED A NIGHT LIGHT AND BE CONNECTED AHEAD OF ALL CONTROLS.
- M. VERIFY THE COLOR OF ALL FIXTURES, DEVICES, AND COVER PLATES WITH OWNER.
- N. ALL LIGHT FIXTURES INSTALLED IN CLOTHES CLOSETS SHALL CONFORM TO NEC ARTICLE 410.16.
- O. FOR ALL OCCUPANCY SENSORS, PROVIDE SWITCHPACK AND ALL OTHER REQUIRED HARDWARE WHERE NECESSARY. COORDINATE ALL SETTINGS WITH OWNER PRIOR TO ROUGH-IN.
- P. PROVIDE PHOTOCELL CONTROL FOR ALL EXTERIOR LIGHTING. COORDINATE ALL SETTINGS WITH OWNER.
- Q. ALL CEILING FANS SHALL BE CENTERED IN SPACE / ROOM.

NOT FOR CONSTRUCTION

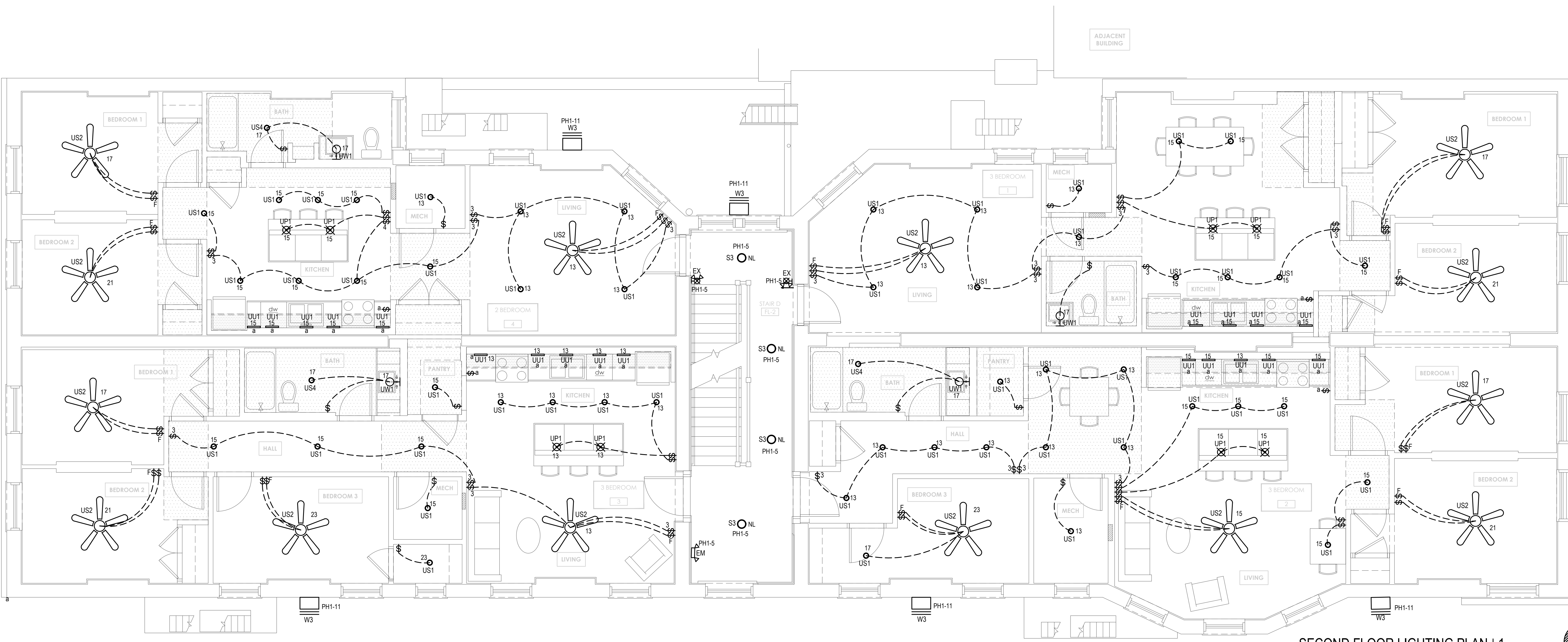
CITYSTUDIOS ARCHITECTURE
1148 Main Street
Cincinnati, OH 45202
ph: 513.621.0750
citystudiosarch.com

advantage
STRUCTURAL ENGINEERS
1527 Madison Road
Cincinnati, OH 45206
513.396.8900
www.advantageSE.com

VIOX&VIOX
Civil Engineer, Surveyor, and Landscape Architect
1633 Springdale Avenue, Cincinnati, OH 45219
PH: 513.763.1111 FAX: 513.763.1110 www.viox.com

PE Services
CONSULTING FOR THE BUILDING INDUSTRY
14513-BROADWAY
LEBANON, OH 45046
513-836-3810

RUSS ALLEY
1623 - 1625 VINE STREET, 1624 REPUBLIC STREET
(1625 VINE HPTC APPLICATION)
CINCINNATI, OH 45202



SECOND FLOOR LIGHTING PLAN | 1
1/4" = 1'-0" | E1.2



CONTRACTOR NOTE
IT IS THE RESPONSIBILITY OF THE CONTRACTOR TO NOTIFY THE ARCHITECT, LANDLORD AND TENANT OF ANY DISCREPANCIES ENCOUNTERED ON THE PLANS OR IN EXISTING SITE CONDITIONS PRIOR TO SUBMISSION OF BID.
BIDDERS ARE TO VISIT THE SITE AND FAMILIARIZE THEMSELVES AS TO THE NATURE AND SCOPE OF THE WORK. THE BASE BID SHALL REFLECT MODIFICATIONS TO SYSTEMS AND DEVICES AS REQUIRED BY STATE, LOCAL AND FEDERAL CODES WHETHER INDICATED OR NOT ON CONTRACT DOCUMENTS. THE SUBMISSIONS OF A BID WILL BE EVIDENCE THAT SUCH AN EXAMINATION AND COMPLIANCE WITH GOVERNING CODES/REQUIREMENTS HAS BEEN MADE. LATER CLAIMS FOR LABOR, EQUIPMENT, OR MATERIALS REQUIRED OR FOR DIFFICULTIES ENCOUNTERED WHICH COULD HAVE BEEN FORESEEN HAD AN EXAMINATION AND CODE/REQUIREMENTS REVIEW BEEN MADE, WILL NOT BE ALLOWED.

3CDC CINCINNATI CENTER CITY DEVELOPMENT CORPORATION

ISSUE LOG:
04.02.2023
ISSUE FOR PERMIT
09.21.2023
CHFA PRELIM. SUBMISSION

SECOND FLOOR LIGHTING PLAN

E1.2

(THESE GENERAL AND PLAN NOTES APPLY TO ALL ELECTRICAL TYPICAL UNIT PLANS - ALL PLAN NOTES MAY NOT APPLY TO EVERY SHEET)

GENERAL NOTES:

- A. ALL WORK SHALL MEET OR EXCEED THE MOST CURRENT EDITION OF THE NATIONAL ELECTRICAL CODE, STATE CODE(S) AND LOCAL CODE(S).
- B. WHEN CONFLICTS OCCUR BETWEEN THE PLANS AND OR SPECS WITH ANY LOCAL CODES, THE MOST STRINGENT REQUIREMENTS APPLY.
- C. SEE MAIN ELECTRICAL GENERAL NOTES, SYMBOL LEGEND, LUMINAIRE SCHEDULE, LINETYPE LEGEND, AND ELECTRICAL NOTATIONS ON THE ELECTRICAL COVER SHEET FOR MORE INFORMATION.
- D. VERIFY EXACT LOCATIONS AND MOUNTING HEIGHTS FOR ALL FIXTURES AND DEVICES PRIOR TO ROUGH-IN.
- E. ALL SWITCHES, RECEPTACLES, ETC. AND COVER PLATES TO BE THE COLOR WHITE. COORDINATE WITH ARCHITECT, OWNER, COMMUNICATIONS CONTRACTOR, AND INTERIOR DESIGNER.
- F. COORDINATE ALL WORK WITH OTHER TRADES PRIOR TO ROUGH-IN.
- G. DEVICES INSTALLED IN FIRE SEPARATION WALLS / CEILINGS SHALL BE INSTALLED IN ACCORDANCE WITH THE LISTING AND LABELING OF THE RATED ASSEMBLY. DO NOT INSTALL OUTLET BOXES WITHIN THE SAME STUD SPACE.
- H. ALL PRODUCTS USED FOR FIRE-STOP SYSTEMS SHALL BE RATED FOR COMMERCIAL CONSTRUCTION.
- I. UNLESS NOTED OTHERWISE, SEE MOUNTING HEIGHT DETAILS FOR ALL DEVICES. SEE ADA MOUNTING DETAILS FOR THE APPROPRIATE UNITS.
- J. PANEL DESIGNATIONS WERE LEFT OFF EACH CIRCUIT TAG. THE NUMBER SHOWN NEXT TO EACH DEVICE/FIXTURE REPRESENTS THE CIRCUIT NUMBER AS SHOWN IN THE PANEL SCHEDULE FOR THIS UNIT TYPE.
- K. PROVIDE SURGE PROTECTION PER NEC 230.67.
- L. ALL FIXTURES SHOWN WITH A "NL" TAG SHALL BE CONSIDERED A NIGHT LIGHT AND BE CONNECTED AHEAD OF ALL CONTROLS.
- M. VERIFY THE COLOR OF ALL FIXTURES, DEVICES, AND COVER PLATES WITH OWNER.
- N. ALL LIGHT FIXTURES INSTALLED IN CLOTHES CLOSETS SHALL CONFORM TO NEC ARTICLE 410.16.
- O. FOR ALL OCCUPANCY SENSORS, PROVIDE SWITCHPACK AND ALL OTHER REQUIRED HARDWARE WHERE NECESSARY. COORDINATE ALL SETTINGS WITH OWNER PRIOR TO ROUGH-IN.
- P. PROVIDE PHOTOCELL CONTROL FOR ALL EXTERIOR LIGHTING. COORDINATE ALL SETTINGS WITH OWNER.
- Q. ALL CEILING FANS SHALL BE CENTERED IN SPACE / ROOM.

NOT FOR CONSTRUCTION

CITYSTUDIOS ARCHITECTURE
1148 Main Street
Cincinnati, OH 45202
ph: 513.621.0750
citystudiosarch.com

advantage
STRUCTURAL ENGINEERS
1527 Madison Road
Cincinnati, OH 45206
513.396.8900
www.advantageSE.com

VIXO&VIXO
Civil Engineers, Surveyors, and Landscape Architects
1653 Springdale Avenue, Cincinnati, OH
Phone: (513) 263-1234 • Fax: (513) 263-1234 • www.vixov.com

PE Services
CONSULTING FOR THE BUILDING INDUSTRY
9 North Broadway
Lebanon, OH 45046
513-836-3810

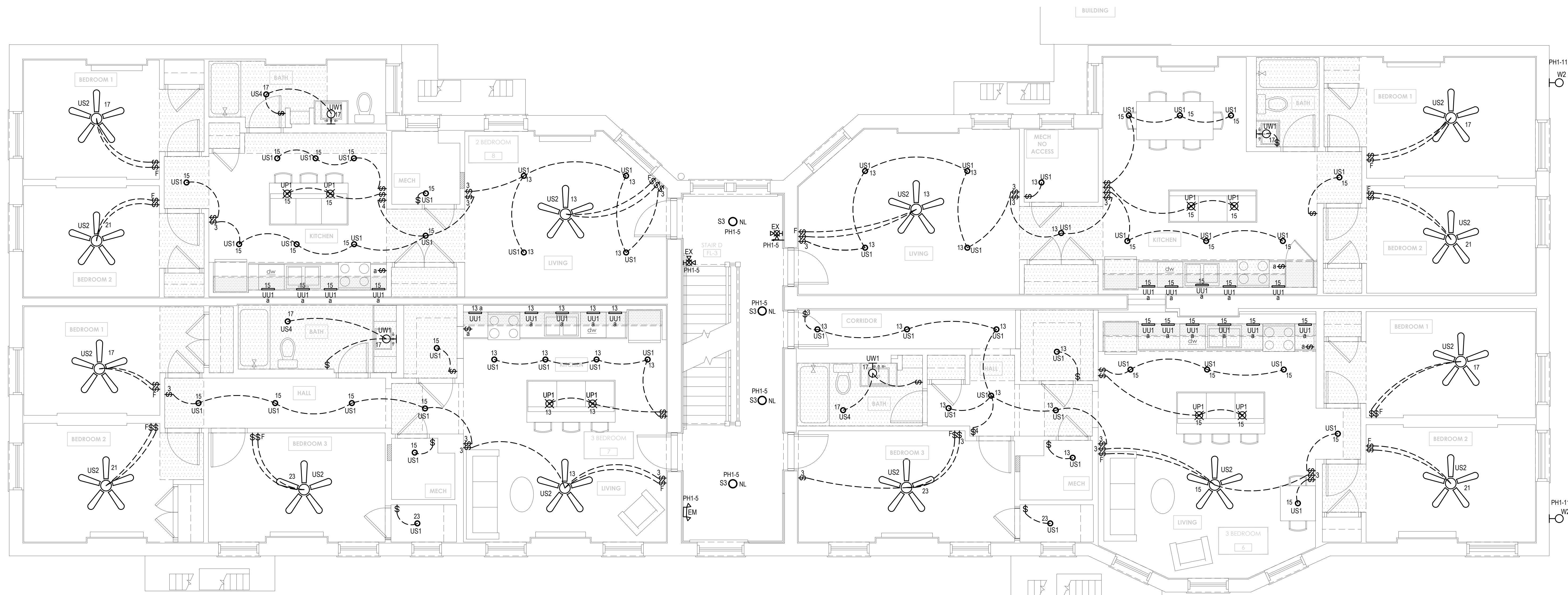
RUSS ALLEY
1623 - 1625 VINE STREET, 1624 REPUBLIC STREET
(1625 VINE HPTC APPLICATION)
CINCINNATI, OH 45202

3CDC CINCINNATI CENTER CITY DEVELOPMENT CORPORATION

ISSUE LOG:
04.02.2023
ISSUE FOR PERMIT
09.21.2023
CHFA PRELIM. SUBMISSION

THIRD FLOOR LIGHTING PLAN

E1.3



THIRD FLOOR LIGHTING PLAN | 1
1/4" = 1'-0" | E1.3



CONTRACTOR NOTE
IT IS THE RESPONSIBILITY OF THE CONTRACTOR TO NOTIFY THE ARCHITECT, LANDLORD AND TENANT OF ANY DISCREPANCIES ENCOUNTERED ON THE PLANS OR IN EXISTING SITE CONDITIONS PRIOR TO SUBMISSION OF BID.
BIDDERS ARE TO VISIT THE SITE AND FAMILIARIZE THEMSELVES WITH EXISTING CONDITIONS AND SATISFY THEMSELVES AS TO THE NATURE AND SCOPE OF THE WORK. THE BASE BID SHALL REFLECT MODIFICATIONS TO SYSTEMS AND DEVICES AS REQUIRED BY STATE, LOCAL AND FEDERAL CODES WHETHER INDICATED OR NOT ON CONTRACT DOCUMENTS. THE SUBMISSIONS OF A BID WILL BE EVIDENCE THAT SUCH AN EXAMINATION AND COMPLIANCE WITH GOVERNING CODES/REQUIREMENTS HAS BEEN MADE. LATER CLAIMS FOR LABOR, EQUIPMENT, OR MATERIALS REQUIRED OR FOR DIFFICULTIES ENCOUNTERED WHICH COULD HAVE BEEN FORESEEN HAD AN EXAMINATION AND CODE/REQUIREMENTS REVIEW BEEN MADE, WILL NOT BE ALLOWED.

(THESE GENERAL AND PLAN NOTES APPLY TO ALL ELECTRICAL TYPICAL UNIT PLANS - ALL PLAN NOTES MAY NOT APPLY TO EVERY SHEET)

GENERAL NOTES:

- A. ALL WORK SHALL MEET OR EXCEED THE MOST CURRENT EDITION OF THE NATIONAL ELECTRICAL CODE, STATE CODE(S) AND LOCAL CODE(S).
- B. WHEN CONFLICTS OCCUR BETWEEN THE PLANS AND OR SPECS WITH ANY LOCAL CODES, THE MOST STRINGENT REQUIREMENTS APPLY.
- C. SEE MAIN ELECTRICAL GENERAL NOTES, SYMBOL LEGEND, LUMINAIRE SCHEDULE, LINETYPE LEGEND, AND ELECTRICAL NOTATIONS ON THE ELECTRICAL COVER SHEET FOR MORE INFORMATION.
- D. VERIFY EXACT LOCATIONS AND MOUNTING HEIGHTS FOR ALL FIXTURES AND DEVICES PRIOR TO ROUGH-IN.
- E. ALL SWITCHES, RECEPTACLES, ETC. AND COVER PLATES TO BE THE COLOR WHITE. COORDINATE WITH ARCHITECT, OWNER, COMMUNICATIONS CONTRACTOR, AND INTERIOR DESIGNER.
- F. COORDINATE ALL WORK WITH OTHER TRADES PRIOR TO ROUGH-IN.
- G. DEVICES INSTALLED IN FIRE SEPARATION WALLS / CEILINGS SHALL BE INSTALLED IN ACCORDANCE WITH THE LISTING AND LABELING OF THE RATED ASSEMBLY. DO NOT INSTALL OUTLET BOXES WITHIN THE SAME STUD SPACE.
- H. ALL PRODUCTS USED FOR FIRE-STOP SYSTEMS SHALL BE RATED FOR COMMERCIAL CONSTRUCTION.
- I. UNLESS NOTED OTHERWISE, SEE MOUNTING HEIGHT DETAILS FOR ALL DEVICES. SEE ADA MOUNTING DETAILS FOR THE APPROPRIATE UNITS.
- J. PANEL DESIGNATIONS WERE LEFT OFF EACH CIRCUIT TAG. THE NUMBER SHOWN NEXT TO EACH DEVICE/FIXTURE REPRESENTS THE CIRCUIT NUMBER AS SHOWN IN THE PANEL SCHEDULE FOR THIS UNIT TYPE.
- K. PROVIDE SURGE PROTECTION PER NEC 230.67.
- L. ALL FIXTURES SHOWN WITH A "NL" TAG SHALL BE CONSIDERED A NIGHT LIGHT AND BE CONNECTED AHEAD OF ALL CONTROLS.
- M. VERIFY THE COLOR OF ALL FIXTURES, DEVICES, AND COVER PLATES WITH OWNER.
- N. ALL LIGHT FIXTURES INSTALLED IN CLOTHES CLOSETS SHALL CONFORM TO NEC ARTICLE 410.16.
- O. FOR ALL OCCUPANCY SENSORS, PROVIDE SWITCHPACK AND ALL OTHER REQUIRED HARDWARE WHERE NECESSARY. COORDINATE ALL SETTINGS WITH OWNER PRIOR TO ROUGH-IN.
- P. PROVIDE PHOTOCELL CONTROL FOR ALL EXTERIOR LIGHTING. COORDINATE ALL SETTINGS WITH OWNER.
- Q. ALL CEILING FANS SHALL BE CENTERED IN SPACE / ROOM.

NOT FOR CONSTRUCTION

CITYSTUDIOS ARCHITECTURE
1148 Main Street
Cincinnati, OH 45202
ph. 513.621.0750
citystudiosarch.com

advantage
STRUCTURAL ENGINEERS
1527 Madison Road
Cincinnati, OH 45206
513.396.8900
www.advantageSE.com

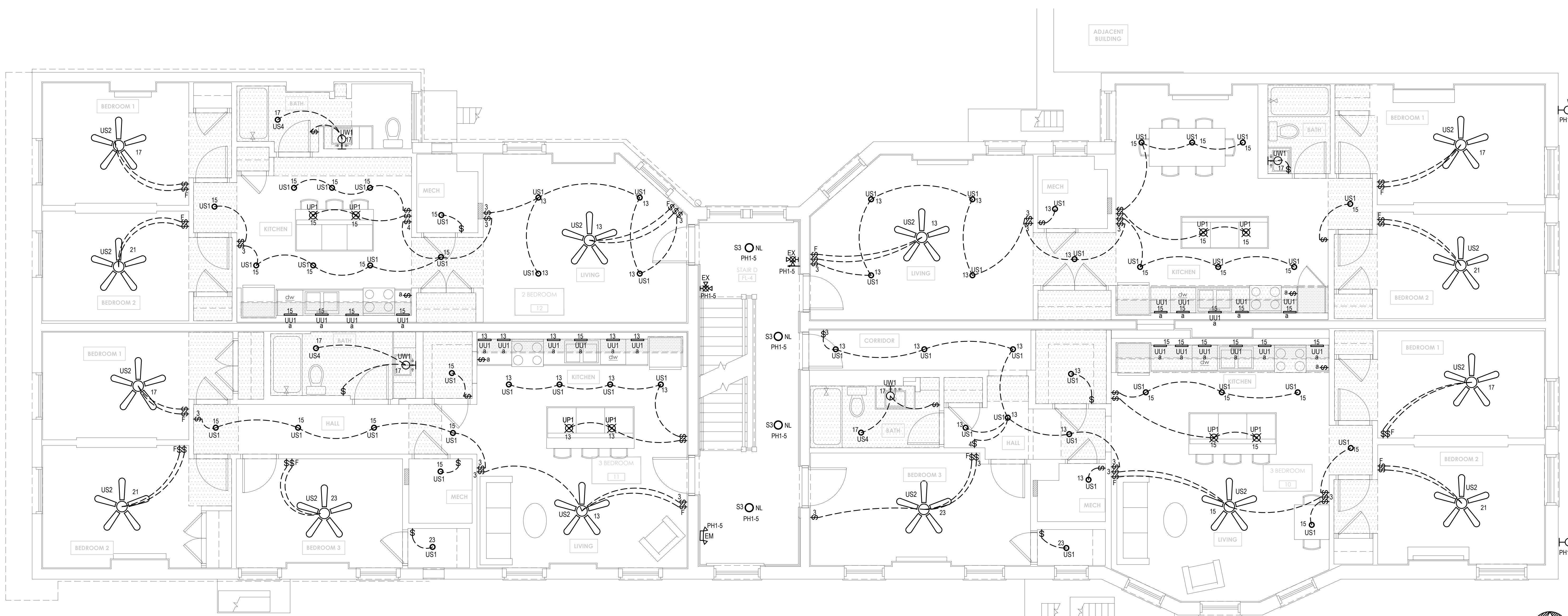
VIOX & VIOX
Civil Engineers, Surveyors, and Landscape Architects
1650 Springdale Avenue, Cincinnati, OH 45219
Phone: (513) 233-1200 • Fax: (513) 233-1204 • www.viox.com

PE Services
CONSULTING FOR THE BUILDING INDUSTRY
9 North Broadway
Lebanon, OH 45046
513-836-3810

RUSS ALLEY
1623 - 1625 VINE STREET, 1624 REPUBLIC STREET
(1625 VINE HPTC APPLICATION)
CINCINNATI, OH 45202

3CDC CINCINNATI CENTER CITY DEVELOPMENT CORPORATION

ISSUE LOG:
04.02.2023
ISSUE FOR PERMIT
09.21.2023
CHFA PRELIM. SUBMISSION



FOURTH FLOOR LIGHTING PLAN | 1
1/4" = 1'-0" | E1.4



CONTRACTOR NOTE
IT IS THE RESPONSIBILITY OF THE CONTRACTOR TO NOTIFY THE ARCHITECT, LANDLORD AND TENANT OF ANY DISCREPANCIES ENCOUNTERED ON THE PLANS OR IN EXISTING SITE CONDITIONS PRIOR TO SUBMISSION OF BID.
BIDDERS ARE TO VISIT THE SITE AND FAMILIARIZE THEMSELVES WITH EXISTING CONDITIONS AND SATISFY THEMSELVES AS TO THE NATURE AND SCOPE OF THE WORK. THE BASE BID SHALL REFLECT MODIFICATIONS TO SYSTEMS AND DEVICES AS REQUIRED BY STATE, LOCAL, AND FEDERAL CODES WHETHER INDICATED OR NOT ON CONTRACT DOCUMENTS. THE SUBMISSIONS OF A BID WILL BE EVIDENCE THAT SUCH AN EXAMINATION AND COMPLIANCE WITH GOVERNING CODES/REQUIREMENTS HAS BEEN MADE. LATER CLAIMS FOR LABOR, EQUIPMENT, OR MATERIALS REQUIRED OR FOR DIFFICULTIES ENCOUNTERED WHICH COULD HAVE BEEN FORESEEN HAD AN EXAMINATION AND CODE/REQUIREMENTS REVIEW BEEN MADE, WILL NOT BE ALLOWED.

FOURTH FLOOR LIGHTING PLAN

E1.4

GENERAL NOTES:

- A. ALL WORK SHALL MEET OR EXCEED ALL NEC STANDARDS.
- B. SEE MAIN ELECTRICAL GENERAL NOTES FOR MORE INFORMATION.
- C. COORDINATE ALL WORK WITH OTHER TRADES PRIOR TO ROUGH-IN.
- D. VERIFY EXACT LOCATIONS AND MOUNTING HEIGHTS FOR ALL FIXTURES AND DEVICES PRIOR TO ROUGH-IN.
- E. ALL EXIT/EMERGENCY LIGHTING SHALL BE PROVIDED WITH AN UNSWITCHED CONDUCTOR ON THE INDICATED CIRCUIT.
- F. ALL FIXTURES SHOWN WITH A "NL" TAG SHALL BE CONSIDERED A NIGHT LIGHT AND BE CONNECTED AHEAD OF ALL CONTROLS.
- G. VERIFY THE COLOR WHITE FOR ALL FIXTURES, DEVICES, AND COVER PLATES WITH OWNER.
- H. ALL LIGHT FIXTURES INSTALLED IN CLOTHES CLOSETS SHALL CONFORM TO NEC ARTICLE 410.16.
- I. FOR ALL OCCUPANCY SENSORS, PROVIDE SWITCHPACK AND ALL OTHER REQUIRED HARDWARE WHERE NECESSARY. COORDINATE ALL SETTINGS WITH OWNER PRIOR TO ROUGH-IN.
- J. PROVIDE PHOTOCELL CONTROL FOR ALL EXTERIOR LIGHTING. COORDINATE ALL SETTINGS WITH OWNER.

NOT FOR CONSTRUCTION

CITYSTUDIOS ARCHITECTURE
1148 Main Street
Cincinnati, OH 45202
ph: 513.621.0750
citystudiosarch.com

advantage
STRUCTURAL ENGINEERS
1527 Madison Road
Cincinnati, OH 45206
513.396.8900
www.advantageSE.com

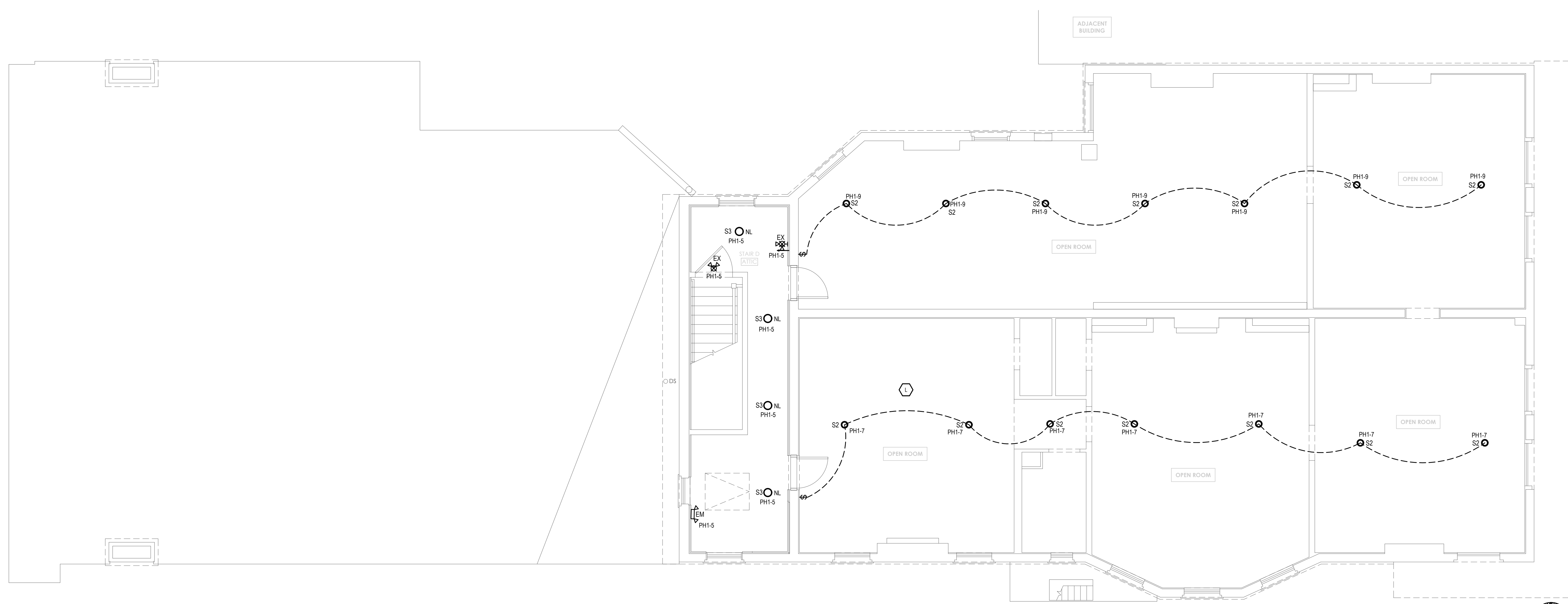
VIOX&VIOX
Civil Engineers, Surveyors, and Landscape Architects
1633 Springdale Avenue, Cincinnati, OH 45219
Phone: (513) 233-1204 • Fax: (513) 233-1204 • www.viox.com

PE Services
CONSULTING FOR THE BUILDING INDUSTRY
1-813-836-3810
www.pe-services.com
9 North Broadway
Lebanon, OH 45046
513-836-3810

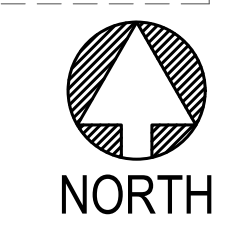
RUSS ALLEY
1623 - 1625 VINE STREET, 1624 REPUBLIC STREET
(1625 VINE HPTC APPLICATION)
CINCINNATI, OH 45202

3CDC CINCINNATI CENTER CITY DEVELOPMENT CORPORATION

ISSUE LOG:
04.02.2023
ISSUE FOR PERMIT
09.21.2023
CHFA PRELIM. SUBMISSION



ATTIC LIGHTING PLAN | 1
1/4" = 1'-0" | E1.5



CONTRACTOR NOTE
IT IS THE RESPONSIBILITY OF THE CONTRACTOR TO NOTIFY THE ARCHITECT, LANDLORD AND TENANT OF ANY DISCREPANCIES ENCOUNTERED ON THE PLANS OR IN EXISTING SITE CONDITIONS PRIOR TO SUBMISSION OF BID.
BIDDERS ARE TO VISIT THE SITE AND FAMILIARIZE THEMSELVES WITH EXISTING CONDITIONS AND SATISFY THEMSELVES AS TO THE NATURE AND SCOPE OF THE WORK. THE BASE BID SHALL REFLECT MODIFICATIONS TO SYSTEMS AND DEVICES AS REQUIRED BY STATE, LOCAL AND FEDERAL CODES WHETHER INDICATED OR NOT ON CONTRACT DOCUMENTS. THE SUBMISSIONS OF A BID WILL BE EVIDENCE THAT SUCH AN EXAMINATION AND COMPLIANCE WITH GOVERNING CODES/REQUIREMENTS HAS BEEN MADE. LATER CLAIMS FOR LABOR, EQUIPMENT, OR MATERIALS REQUIRED OR FOR DIFFICULTIES ENCOUNTERED WHICH COULD HAVE BEEN FORESEEN HAD AN EXAMINATION AND CODES/REQUIREMENTS REVIEW BEEN MADE, WILL NOT BE ALLOWED.

ATTIC LIGHTING PLAN

E1.5

FIRE PROTECTION GENERAL NOTES:

- A. ELECTRICAL CONTRACTOR SHALL EQUIP ALL DWELLING AND SLEEPING UNITS WITH THE CAPACITY TO SUPPORT VISUAL ALARM NOTIFICATION APPLIANCES IN ACCORDANCE WITH ALL APPLICABLE CODES. COORDINATE WITH ARCHITECT/OWNER PRIOR TO ALL ROUGH-INS.
- B. CONTRACTOR SHALL INSTALL TAMPER SWITCHES ON ALL VALVES BETWEEN RISER AND CITY MAIN. TIE TAMPER SWITCHES TO SPRINKLER MONITORING PANEL. REFERENCE CIVIL FOR EXACT LOCATIONS OF ALL VALVES LOCATED 5' OR MORE OUTSIDE THE BUILDING.

**** NOTE ****

THE FIRE PROTECTION SYSTEM FOR THIS PROJECT SHALL BE BASED ON DESIGN DOCUMENTS PREPARED BY AN APPROVED FIRE PROTECTION SYSTEM MANUFACTURER / VENDOR. A COMPLETE ADDRESSABLE FIRE PROTECTION SYSTEM SHALL BE PROVIDED FOR THE ENTIRE FACILITY, WITH ALL COSTS FOR A COMPLETE FUNCTIONING CODE COMPLIANT SYSTEM IN ELECTRICAL CONTRACTOR'S PRICE. THIS INCLUDES, BUT IS NOT LIMITED TO, ENGINEER SEALED FIRE PROTECTION DRAWINGS AND SUBMITTAL DOCUMENTS, SPRINKLER MONITORING PANEL, FIRE ALARM AUXILIARY POWER SUPPLIES, REMOTE ANNUNCIATORS, INITIATION DEVICES, NOTIFICATION DEVICES, AUXILIARY DEVICES TO CONNECT TO OTHER SYSTEMS INCLUDING, BUT NOT LIMITED TO, FIRE PROTECTION SYSTEM, SPRINKLER DEVICES, ELEVATORS, FIRE PUMP, DOOR ACCESS SYSTEM DEVICES, CHEMICAL AGENT FIRE SUPPRESSION SYSTEMS, MAGNETIC LOCKS, FIRE AND SMOKE DAMPERS, POST INDICATOR VALVES, ETC., INSTALLATION, PROGRAMMING AND TESTING.

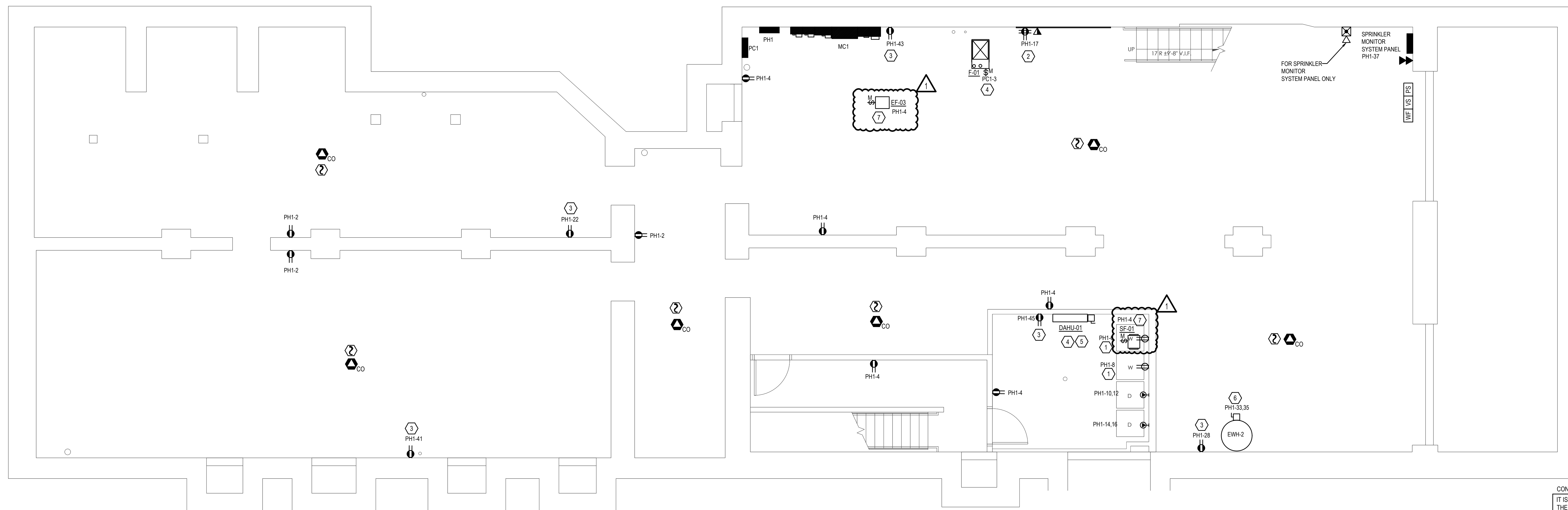
GENERAL NOTES:

- A. ALL WORK SHALL MEET OR EXCEED ALL NEC STANDARDS.
- B. SEE MAIN ELECTRICAL GENERAL NOTES FOR MORE INFORMATION.
- C. COORDINATE ALL WORK WITH OTHER TRADES PRIOR TO ROUGH-IN.
- D. VERIFY EXACT LOCATIONS AND MOUNTING HEIGHTS FOR ALL FIXTURES AND DEVICES PRIOR TO ROUGH-IN.
- E. VERIFY THE COLOR OF ALL FIXTURES, DEVICES, AND COVER PLATES WITH OWNER.
- F. RUN ALL OVERHEAD UTILITIES AS HIGH AS POSSIBLE AND OUT OF THE MAIN EGRESS PATHS. MINIMUM BASEMENT HEAD CLEARANCE OF 7'-0". REFER TO ARCHITECTURAL DRAWINGS FOR MORE INFORMATION.

PLAN NOTES:

1. PROVIDE GFCI TYPE BREAKER FOR THIS CIRCUIT.
2. PROVIDE 48"x96"x3/4" FIRE RATED PLYWOOD BACKBOARD FOR THE MOUNTING OF LOW-VOLTAGE EQUIPMENT. INCLUDE 12"x4"x1/4" COPPER GROUND BAR ON BACKBOARD. BOND GROUND BAR TO THE SERVICE GROUNDING ELECTRODE SYSTEM VIA #4 CU. ELECTRICAL CONTRACTOR TO INSTALL ONE COAX (TV) AND ONE CAT5 (DATA) CABLE FROM MEDIA BOX ENCLOSURE TO BASEMENT DEMARC LOCATION. COORDINATE LOCATIONS OF ALL EQUIPMENT WITH OWNER AND ARCHITECT PRIOR TO ROUGH-IN. PROVIDE DEDICATED QUAD RECEPTACLE AT LOW VOLTAGE EQUIPMENT FIRE RATED PLYWOOD BACKBOARD IN BASEMENT AS SHOWN ON PLAN.
3. PROVIDE RECEPTACLE FOR COMMERCIAL DEHUMIDIFIER. COORDINATE EXACT LOCATION WITH OWNER PRIOR ROUGH-IN.
4. PROVIDE ELECTRICAL CONNECTION AND ACCESSIBLE SAFETY SWITCH TO SERVE MECHANICAL EQUIPMENT. VERIFY EXACT REQUIREMENTS WITH MANUFACTURER'S NAMEPLATE AND COORDINATE EXACT LOCATION WITH MECHANICAL CONTRACTOR PRIOR TO ROUGH-IN.
5. PROVIDE INTERCONNECTION BETWEEN INDOOR AND OUTDOOR HVAC EQUIPMENT. VERIFY LOCATION AND ALL REQUIREMENTS OF EQUIPMENT PRIOR TO ROUGH-IN.
6. PROVIDE ELECTRICAL CONNECTION AND ACCESSIBLE SAFETY SWITCH TO SERVE PLUMBING EQUIPMENT. VERIFY EXACT REQUIREMENTS WITH MANUFACTURER'S NAMEPLATE AND COORDINATE EXACT LOCATION WITH PLUMBING CONTRACTOR PRIOR TO ROUGH-IN.
7. PROVIDE ELECTRICAL CONNECTION AND ACCESSIBLE SAFETY SWITCH TO SERVE CONTINUOUS EXHAUST FAN. VERIFY EXACT REQUIREMENTS WITH MANUFACTURER'S NAMEPLATE AND COORDINATE EXACT LOCATION WITH MECHANICAL CONTRACTOR PRIOR TO ROUGH-IN.

7. PROVIDE ELECTRICAL CONNECTION AND ACCESSIBLE SAFETY SWITCH TO SERVE CONTINUOUS EXHAUST FAN. VERIFY EXACT REQUIREMENTS WITH MANUFACTURER'S NAMEPLATE AND COORDINATE EXACT LOCATION WITH MECHANICAL CONTRACTOR PRIOR TO ROUGH-IN.



BASEMENT POWER PLAN | 1
1/4" = 1'-0" | **E2.0**



CONTRACTOR NOTE
IT IS THE RESPONSIBILITY OF THE CONTRACTOR TO NOTIFY THE ARCHITECT, LANDLORD AND TENANT OF ANY DISCREPANCIES ENCOUNTERED ON THE PLANS OR IN EXISTING SITE CONDITIONS PRIOR TO SUBMISSION OF BID.
BIDDERS ARE TO VISIT THE SITE AND FAMILIARIZE THEMSELVES AS TO THE NATURE AND SCOPE OF THE WORK. THE BASE BID SHALL REFLECT MODIFICATIONS TO SYSTEMS AND DEVICES AS REQUIRED BY STATE, LOCAL, AND FEDERAL CODES WHETHER INDICATED OR NOT ON CONTRACT DOCUMENTS. THE SUBMISSIONS OF A BID WILL BE EVIDENCE THAT SUCH AN EXAMINATION AND COMPLIANCE WITH GOVERNING CODES/REQUIREMENTS HAS BEEN MADE. LATER CLAIMS FOR LABOR, EQUIPMENT, OR MATERIALS REQUIRED, OR FOR DIFFICULTIES ENCOUNTERED WHICH COULD HAVE BEEN FORESEEN HAD AN EXAMINATION AND CODE/REQUIREMENTS REVIEW BEEN MADE, WILL NOT BE ALLOWED.

NOT FOR CONSTRUCTION

CITYSTUDIOS ARCHITECTURE
1148 Main Street
Cincinnati, OH 45202
ph. 513.621.0750
citystudiosarch.com

advantage STRUCTURAL ENGINEERS
1527 Madison Road
Cincinnati, OH 45206
513.396.8900
www.advantageSE.com

VIOX&VIOX
Civil Engineers, Surveyors, and Landscape Architects
14000 Woodloch Forest Drive, Cincinnati, OH 45244
PH: 513.963.2222 FAX: 513.963.2222 www.viox.com

PE Best Value
MECHANICAL AND PLUMBING CONTRACTORS
9 North Broadway
Lebanon, OH 45046
513-836-3810

RUSS ALLEY
1623-1625 VINE STREET, 1624 REPUBLIC STREET
(1625 VINE HPTC APPLICATION)
CINCINNATI, OH 45202

3CDC CINCINNATI CENTER CITY DEVELOPMENT CORPORATION

ISSUE LOG:
06.02.2023 ISSUE FOR PERMIT
07.14.2023 PERMIT REVISION 1
09.21.2023 CHFA PRELIM. SUBMISSION

BASEMENT POWER PLAN

E2.0

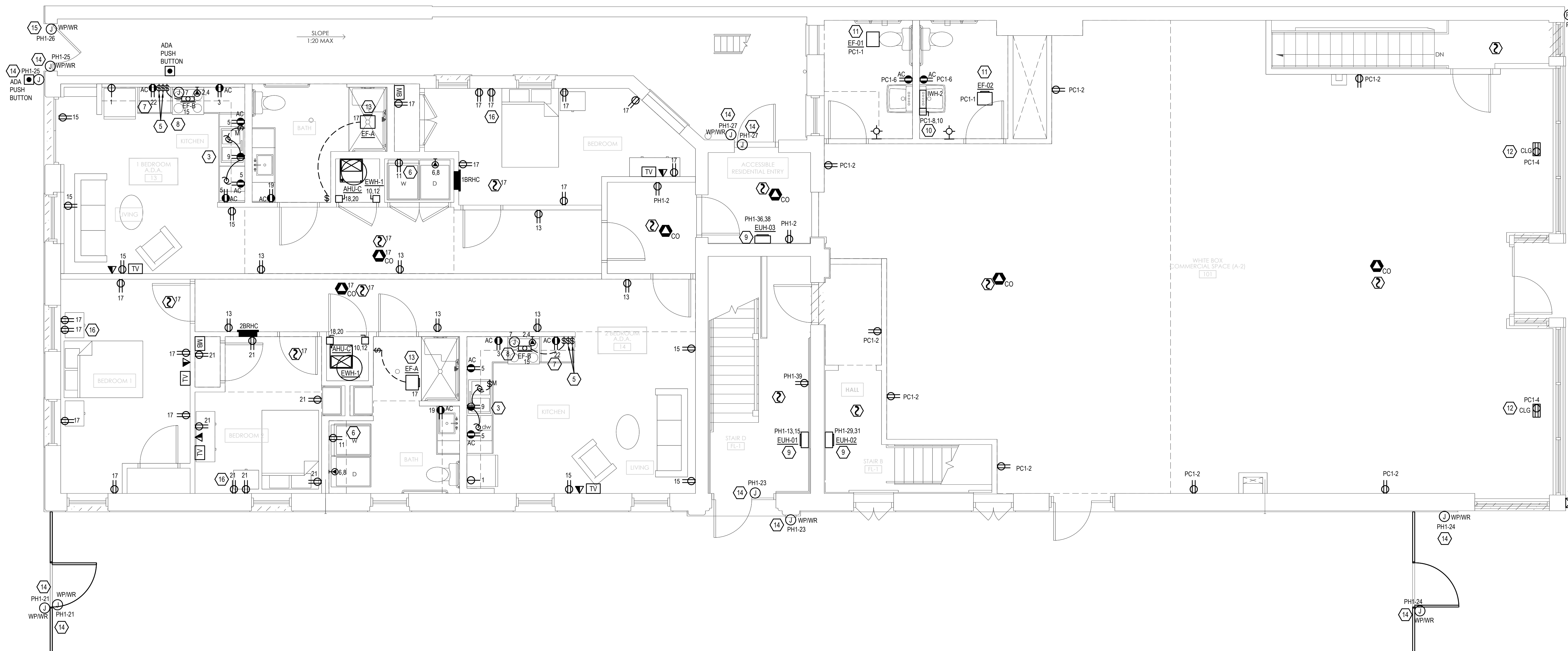
(THESE GENERAL AND PLAN NOTES APPLY TO ALL ELECTRICAL TYPICAL UNIT PLANS - ALL PLAN NOTES MAY NOT APPLY TO EVERY SHEET)

PLAN NOTES:

- PROVIDE CONNECTION FOR COMBINATION MICROWAVE / RANGE HOOD. VERIFY EXACT REQUIREMENTS WITH MANUFACTURERS NAMEPLATE. COORDINATE EXACT LOCATION WITH ARCHITECTURAL PLANS PRIOR TO ROUGH-IN.
- PROVIDE A DUPLEX RECEPTACLE LOCATED ON THE KITCHEN ISLAND / PENINSULA. RECEPTACLE SHALL BE LOCATED WITHIN 12" OF THE TOP EDGE OF THE COUNTERTOP AND SHALL NOT BE LOCATED WHERE THE COUNTERTOP EXTENDS MORE THAN 6" BEYOND ITS SUPPORT BASE.
- PROVIDE DUPLEX RECEPTACLE LOCATED BELOW KITCHEN SINK FOR CONNECTION OF GARBAGE DISPOSAL AND DISHWASHER. ELECTRICAL CONTRACTOR SHALL PROVIDE A CORD KIT FOR BOTH PIECES OF EQUIPMENT AS REQUIRED. THE TOP HALF OF THIS RECEPTACLE SHALL BE CONTROLLED BY A WALL SWITCH LOCATED ADJACENT TO THE KITCHEN SINK FOR OPERATION OF THE GARBAGE DISPOSAL. LABEL COVER PLATE SO THAT THE TOP HALF OF THE RECEPTACLE IS LABELED FOR GARBAGE DISPOSAL CONNECTION AND THE BOTTOM HALF OF THE RECEPTACLE IS LABELED FOR DISHWASHER CONNECTION. PROVIDE AFCI / GFCI DUAL FUNCTION TYPE CIRCUIT BREAKER FOR THIS CIRCUIT.
- PROVIDE POWER OUTLET WITH DUAL USB AT THIS LOCATION. CONNECT TO THE LOAD SIDE OF NEAREST GFCI RECEPTACLE.
- PROVIDE SWITCHES FOR HOOD LIGHT AND FAN AT ACCESSIBLE LOCATION WITH ALL ADA APARTMENTS. VERIFY ADA APARTMENTS WITH ARCHITECT.
- PROVIDE AFCI / GFCI DUAL FUNCTION TYPE CIRCUIT BREAKER FOR THE CLOTHES WASHER CIRCUIT.
- PROVIDE DEDICATED RECEPTACLE FOR COUNTER TOP MICROWAVE. VERIFY EXACT REQUIREMENTS WITH MANUFACTURERS NAMEPLATE. COORDINATE EXACT LOCATION WITH ARCHITECTURAL PLANS PRIOR TO ROUGH-IN.
- PROVIDE ELECTRICAL CONNECTION TO SERVE MECHANICAL EQUIPMENT. VERIFY EXACT REQUIREMENTS WITH MANUFACTURERS NAMEPLATE AND COORDINATE EXACT LOCATION WITH MECHANICAL CONTRACTOR PRIOR TO ROUGH-IN.
- PROVIDE ELECTRICAL CONNECTION AND ACCESSIBLE SAFETY SWITCH TO SERVE PLUMBING EQUIPMENT. VERIFY EXACT REQUIREMENTS WITH MANUFACTURERS NAMEPLATE AND COORDINATE EXACT LOCATION WITH PLUMBING CONTRACTOR PRIOR TO ROUGH-IN.
- PROVIDE ELECTRICAL CONNECTION TO SERVE EXHAUST FAN. VERIFY EXACT REQUIREMENTS WITH MANUFACTURERS NAMEPLATE AND COORDINATE EXACT LOCATION WITH MECHANICAL CONTRACTOR PRIOR TO ROUGH-IN. CONNECT WITH LIGHTING FOR CIRCUITRY AND CONTROLS.
- PROVIDE DUPLEX RECEPTACLE LOCATED WITHIN 18" OF TOP OF WINDOW FOR SHOW WINDOW SIGNAGE.
- PROVIDE ELECTRICAL CONNECTION TO SERVE EXHAUST FAN / LIGHT. VERIFY EXACT REQUIREMENTS WITH MANUFACTURERS NAMEPLATE AND COORDINATE EXACT LOCATION WITH MECHANICAL CONTRACTOR PRIOR TO ROUGH-IN.
- PROVIDE J-BOX FOR CONNECTION TO DOOR MAGNETIC LOCK/ELECTRIC STRIKE. EXTEND LOW VOLTAGE WIRING TO KEYPADS AND INTERCOMS.
- PROVIDE ELECTRICAL CONNECTION FOR MOTORIZED GATE OPENER AND INTERCONNECT WITH ADA PUSH BUTTONS. VERIFY EXACT LOCATION OF ALL EQUIPMENT PRIOR TO ROUGH-IN.
- BEDROOMS TO INCLUDE ADDITIONAL CONVENIENCE RECEPTACLE AT BED-SIDE FOR OCCUPANT USE (DEVICE CHARGING, ETC).
- PROVIDE 120 VOLT HEAT TRACE. COORDINATE EXACT LOCATION AND MANUFACTURE REQUIREMENTS WITH PLUMBING CONTRACTOR PRIOR TO INSTALLATION.
- PROVIDE PHOTOCELL CONTROL FOR ALL EXTERIOR LIGHTING. COORDINATE ALL SETTINGS, ELEVATION AND LOCATION WITH OWNER / ARCHITECT PRIOR TO ROUGH-IN.

GENERAL NOTES:

- ALL WORK SHALL MEET OR EXCEED THE MOST CURRENT EDITION OF THE NATIONAL ELECTRICAL CODE, STATE CODE(S) AND LOCAL CODE(S).
- WHEN CONFLICTS OCCUR BETWEEN THE PLANS AND OR SPECS WITH ANY LOCAL CODES, THE MOST STRINGENT REQUIREMENTS APPLY.
- SEE MAIN ELECTRICAL GENERAL NOTES, SYMBOL LEGEND, LUMINAIRE SCHEDULE, LINETYPE LEGEND, AND ELECTRICAL NOTATIONS ON THE ELECTRICAL COVER SHEET FOR MORE INFORMATION.
- VERIFY EXACT LOCATIONS AND MOUNTING HEIGHTS FOR ALL FIXTURES AND DEVICES PRIOR TO ROUGH-IN.
- COORDINATE THE COLOR OF ALL SWITCHES, RECEPTACLES, ETC. AND COVER PLATES WITH ARCHITECT, OWNER, COMMUNICATIONS CONTRACTOR, AND INTERIOR DESIGNER.
- COORDINATE ALL WORK WITH OTHER TRADES PRIOR TO ROUGH-IN.
- NO RECEPTACLES SHALL BE MOUNTED BACK TO BACK.
- ALL RECEPTACLES SERVING COUNTERTOP AREAS IN THE KITCHEN AND ALL RECEPTACLES IN THE BATHROOM(S) SHALL BE GFCI TYPE.
- ALL RECEPTACLES LOCATED OUTSIDE SHALL BE GFCI TYPE AND SHALL HAVE WEATHERPROOF WHILE-IN-USE COVERS.
- IN ALL AREAS SPECIFIED IN NEC 210.52, ALL 15 AND 20 AMP, 120 VOLT RECEPTACLES SHALL BE LISTED TAMPER-RESISTANT RECEPTACLES.
- PROVIDE ARC FAULT CIRCUIT BREAKERS PER NEC 210.12.
- PROVIDE SAFETY SWITCHES FOR ALL HVAC AND PLUMBING EQUIPMENT IN ACCORDANCE WITH THE NATIONAL ELECTRICAL CODE. VERIFY EXACT REQUIREMENTS WITH MANUFACTURERS NAMEPLATE. COORDINATE EXACT LOCATION WITH MECHANICAL AND PLUMBING CONTRACTOR PRIOR TO ROUGH-IN.
- DEVICES INSTALLED IN FIRE SEPARATION WALLS / CEILINGS SHALL BE INSTALLED IN ACCORDANCE WITH THE LISTING AND LABELING OF THE RATED ASSEMBLY. DO NOT INSTALL OUTLET BOXES WITHIN THE SAME STUD SPACE.
- LIGHT FIXTURES INSTALLED IN CLOSETS SHALL CONFORM TO NEC ARTICLE 410.16.
- ALL PRODUCTS USED FOR FIRE-STOP SYSTEMS SHALL BE RATED FOR COMMERCIAL CONSTRUCTION.
- UNLESS NOTED OTHERWISE, SEE MOUNTING HEIGHT DETAILS FOR ALL DEVICES. SEE ADA MOUNTING DETAILS FOR THE APPROPRIATE UNITS.
- PROVIDE CAT/TELEPHONE/DATA BACK BOX, ROUGH-IN ONLY, UNLESS NOTED OTHERWISE.
- SMOKE ALARMS SHALL BE CONNECTED TOGETHER SO THAT WHEN ONE SMOKE ALARM WITHIN A RESIDENCE SOUNDS, ALL SMOKE ALARMS WITHIN THAT RESIDENCE SOUND.
- LOCATE CEILING MOUNTED SMOKE ALARMS PER THE LATEST NFPA 72 GUIDELINES AND THE MANUFACTURERS PUBLISHED RECOMMENDATIONS FOR THE SPECIFIC TYPE OF DETECTOR.
- ALL SMOKE DETECTORS ARE TO BE LOCATED MORE THEN 36" FROM A CEILING FAN.
- EQUIP ALL NECESSARY DWELLING AND SLEEPING UNITS WITH THE CAPACITY TO SUPPORT VISUAL ALARM NOTIFICATION APPLIANCES IN ACCORDANCE WITH ALL APPLICABLE CODES. COORDINATE WITH ARCHITECT/OWNER PRIOR TO ALL ROUGH-INS.
- PANEL DESIGNATIONS WERE LEFT OFF EACH CIRCUIT TAG. THE NUMBER SHOWN NEXT TO EACH DEVICE/FIXTURE REPRESENTS THE CIRCUIT NUMBER AS SHOWN IN THE PANEL SCHEDULE FOR THIS UNIT TYPE.
- VERIFY EXACT LOCATIONS OF EXHAUST FANS WITH MECHANICAL DRAWING.
- ALL LOADCENTERS SHALL BE MOUNTED SO THAT ALL CIRCUIT BREAKERS ARE WITHIN THE REACH RANGES FOR AN UNOBSTRUCTED FORWARD OR SIDE REACH. SEE ACCESSIBILITY DETAILS FOR REACH RANGES.
- PROVIDE HORNS IN ALL SLEEPING AREAS WITH A FUNDAMENTAL FREQUENCY OF 520Hz.
- PROVIDE AND INSTALL PORCELAIN LAMP HOLDER, RECEPTACLE, AND LIGHT SWITCH IN ATTIC. (TOP FLOOR UNITS ONLY - COORDINATE EXACT UNITS PRIOR TO ROUGH-IN).
- PROVIDE CARBON MONOXIDE ALARM WITHIN 15' OF EACH BEDROOM.
- RECEPTACLE FOR ELECTRIC RANGE MUST BE PROVIDED WITH A GROUNDED CONDUCTOR AND AN EQUIPMENT GROUNDING CONDUCTOR PER THE NATIONAL ELECTRICAL CODE. COORDINATE MOUNTING HEIGHT PRIOR TO ROUGH-IN.
- RECEPTACLE FOR DRYER UNIT MUST BE PROVIDED WITH A GROUNDED CONDUCTOR AND AN EQUIPMENT GROUNDING CONDUCTOR PER THE NATIONAL ELECTRICAL CODE. COORDINATE MOUNTING HEIGHT PRIOR TO ROUGH-IN.
- ALL 125V THROUGH 250V RECEPTACLES INSTALLED IN LOCATIONS SPECIFIED PER NEC 210.8(A)(1) THROUGH 210.8(A)(11) SHALL HAVE GROUND FAULT PROTECTION FOR PERSONNEL.
- PROVIDE SURGE PROTECTION PER NEC 230.67.



FIRST FLOOR POWER PLAN | 1
1/4" = 1'-0" | E2.1



CONTRACTOR NOTE
IT IS THE RESPONSIBILITY OF THE CONTRACTOR TO NOTIFY THE ARCHITECT, LANDLORD AND TENANT OF ANY DISCREPANCIES ENCOUNTERED ON THE PLANS OR IN EXISTING SITE CONDITIONS PRIOR TO SUBMISSION OF BID.
BIDDERS ARE TO VISIT THE SITE AND FAMILIARIZE THEMSELVES WITH EXISTING CONDITIONS AND SATISFY THEMSELVES AS TO THE NATURE AND SCOPE OF THE WORK. THE BASE BID SHALL REFLECT MODIFICATIONS TO SYSTEMS AND DEVICES AS REQUIRED BY STATE, LOCAL, AND FEDERAL CODES WHETHER INDICATED OR NOT ON CONTRACT DOCUMENTS. THE SUBMISSIONS OF A BID WILL BE EVIDENCE THAT SUCH AN EXAMINATION AND COMPLIANCE WITH GOVERNING CODES/REQUIREMENTS HAS BEEN MADE. LATER CLAIMS FOR LABOR, EQUIPMENT, OR MATERIALS REQUIRED, OR FOR DIFFICULTIES ENCOUNTERED WHICH COULD HAVE BEEN FORESEEN HAD AN EXAMINATION AND CODE/REQUIREMENTS REVIEW BEEN MADE, WILL NOT BE ALLOWED.

NOT FOR CONSTRUCTION

CITYSTUDIOS ARCHITECTURE
1148 Main Street
Cincinnati, OH 45202
ph. 513.621.0750
citystudiosarch.com

advantage STRUCTURAL ENGINEERS
1527 Madison Road
Cincinnati, OH 45206
513.396.8900
www.advantageSE.com

VIOK & VIOK
Civil Engineers, Surveyors, and Landscape Architects
14000 Woodloch Forest Drive
Cincinnati, OH 45244
PH: 513.963.7100 FAX: 513.963.7101
www.viok.com

PE Services
Engineering Firm
4000 W. Wines Road
Lebanon, OH 45046
513-836-3810

RUSS ALLEY
1623-1625 VINE STREET, 1624 REPUBLIC STREET
(1625 VINE HPTC APPLICATION)
CINCINNATI, OH 45202

3CDC CINCINNATI CENTER CITY DEVELOPMENT CORPORATION

ISSUE LOG:
06.02.2023 ISSUE FOR PERMIT
09.21.2023 CHFA PRELIM. SUBMISSION

FIRST FLOOR POWER PLAN

E2.1

**** NOTE ****
SEE GENERAL NOTES AND PLAN NOTES ON FIRST SHEET OF E2 SERIES DRAWINGS.

NOT FOR CONSTRUCTION

CITYSTUDIOS ARCHITECTURE
1148 Main Street
Cincinnati, OH 45202
ph. 513.621.0750
citystudiosarch.com

advantage
STRUCTURAL ENGINEERS
1527 Madison Road
Cincinnati, OH 45206
513.396.8900
www.advantageSE.com

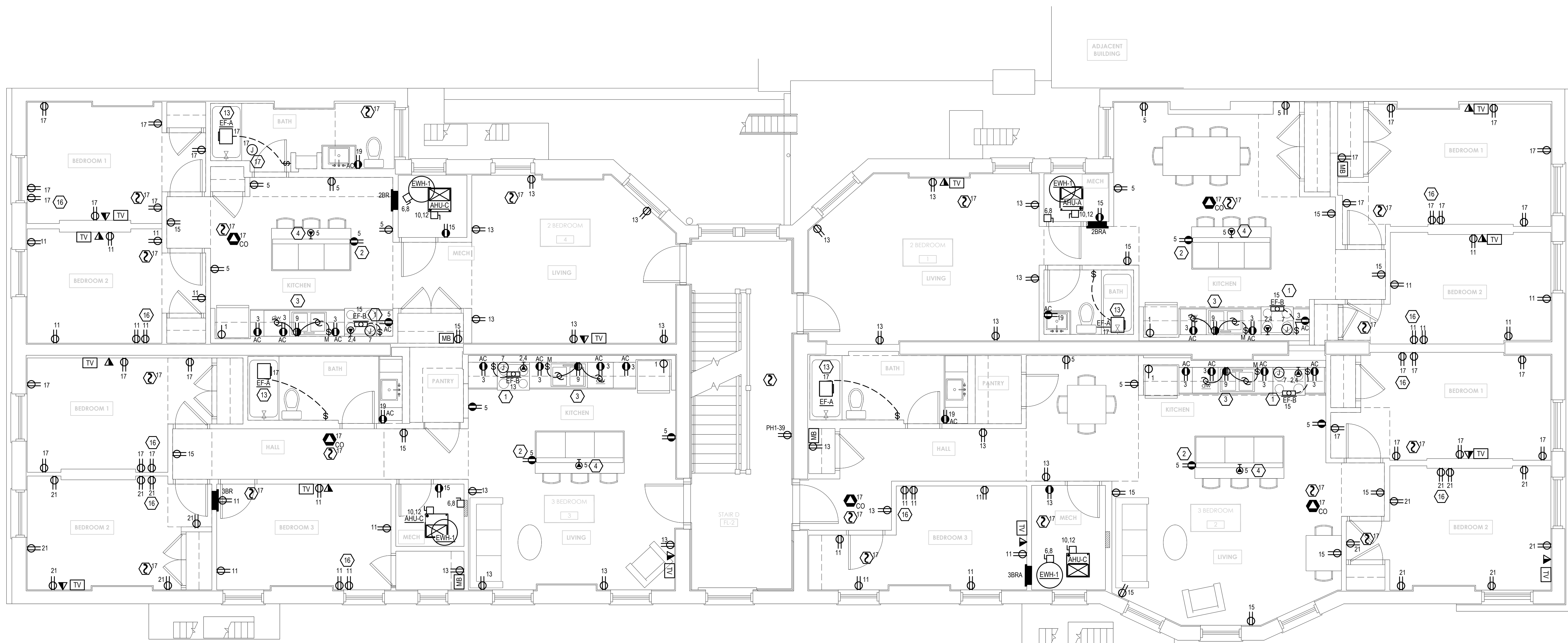
VIOX & VIOX
Civil Engineers, Surveyors, and Landscape Architects
1400 Riverchase Parkway
Cincinnati, OH 45240
PH: 513.963.2222 FAX: 513.963.2222 www.viox.com

PE Services
CONSULTING FOR YOUR BUSINESS
9 North Broadway
Lebanon, OH 45046
513-836-3810

RUSS ALLEY
1623-1625 VINE STREET, 1624 REPUBLIC STREET
(1625 VINE HPTC APPLICATION)
CINCINNATI, OH 45202

3CDC CINCINNATI CENTER CITY DEVELOPMENT CORPORATION

ISSUE LOG:
06.02.2023 ISSUE FOR PERMIT
09.21.2023 OHFA PRELIM. SUBMISSION



SECOND FLOOR POWER PLAN | 1
1/4" = 1'-0" | E2.2



CONTRACTOR NOTE
IT IS THE RESPONSIBILITY OF THE CONTRACTOR TO NOTIFY THE ARCHITECT, LANDLORD AND TENANT OF ANY DISCREPANCIES ENCOUNTERED ON THE PLANS OR IN EXISTING SITE CONDITIONS PRIOR TO SUBMISSION OF BID.
BIDDERS ARE TO VISIT THE SITE AND FAMILIARIZE THEMSELVES WITH EXISTING CONDITIONS AND SATISFY THEMSELVES AS TO THE NATURE AND SCOPE OF THE WORK. THE BASE BID SHALL REFLECT MODIFICATIONS TO SYSTEMS AND DEVICES AS REQUIRED BY STATE, LOCAL AND FEDERAL CODES WHETHER INDICATED OR NOT ON CONTRACT DOCUMENTS. THE SUBMISSIONS OF A BID WILL BE EVIDENCE THAT SUCH AN EXAMINATION AND COMPLIANCE WITH GOVERNING CODES/REQUIREMENTS HAS BEEN MADE. LATER CLAIMS FOR LABOR, EQUIPMENT, OR MATERIALS REQUIRED, OR FOR DIFFICULTIES ENCOUNTERED WHICH COULD HAVE BEEN FORESEEN HAD AN EXAMINATION AND CODE/REQUIREMENTS REVIEW BEEN MADE, WILL NOT BE ALLOWED.

SECOND FLOOR
POWER PLAN

E2.2

**** NOTE ****
SEE GENERAL NOTES AND PLAN NOTES ON FIRST SHEET OF E2 SERIES DRAWINGS.

NOT FOR CONSTRUCTION

CITYSTUDIOS ARCHITECTURE
1148 Main Street
Cincinnati, OH 45202
ph. 513.621.0750
citystudiosarch.com

advantage
STRUCTURAL ENGINEERS
1527 Madison Road
Cincinnati, OH 45206
513.396.8900
www.advantageSE.com

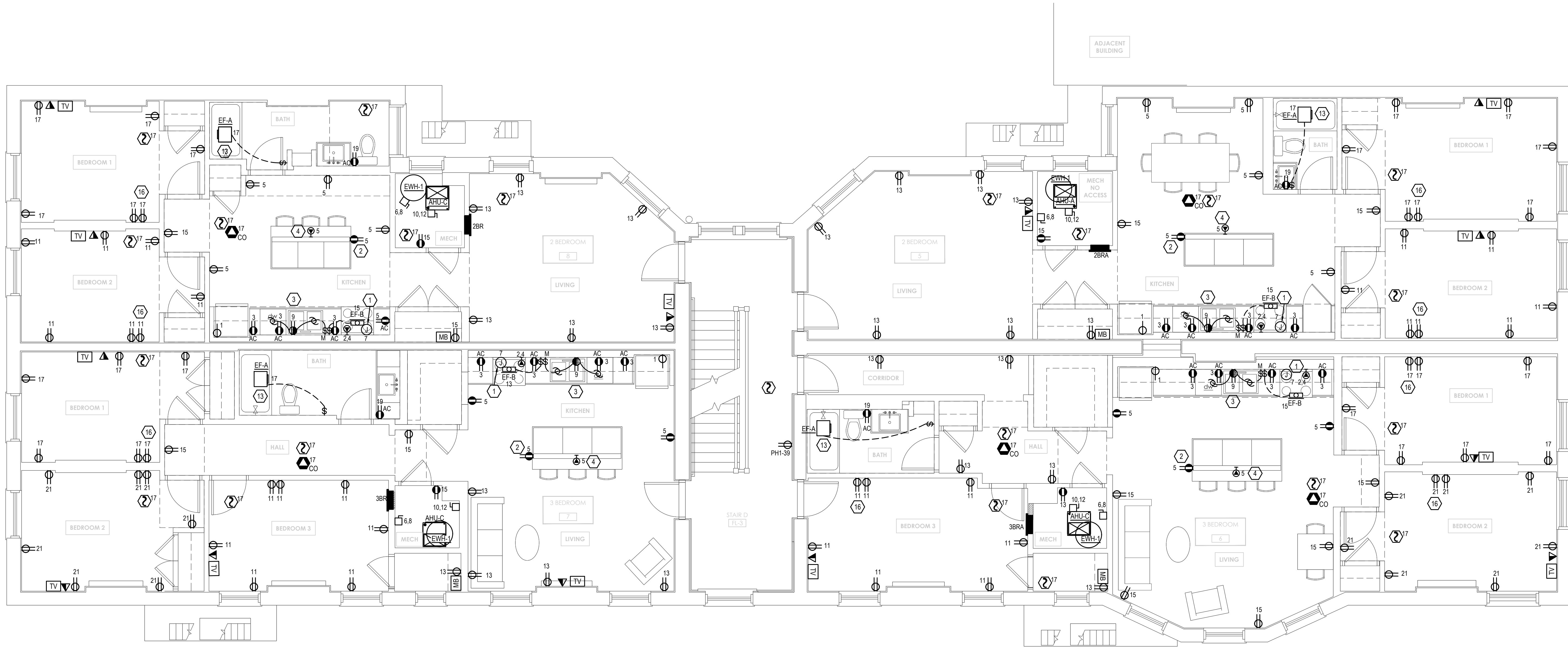
VIOX & VIOX
Civil Engineers, Surveyors, and Landscape Architects
Professional Engineer License No. 11918
Professional Surveyor License No. 11918
Professional Landscape Architect License No. 11918
Professional Engineer License No. 11918
Professional Surveyor License No. 11918
Professional Landscape Architect License No. 11918

PE Services
Engineering, Surveying, and Landscaping
9 North Broadway
Lebanon, OH 45046
513-836-3810

RUSS ALLEY
1623-1625 VINE STREET, 1624 REPUBLIC STREET
(1625 VINE HPTC APPLICATION)
CINCINNATI, OH 45202

3CDC CINCINNATI CENTER CITY DEVELOPMENT CORPORATION

ISSUE LOG:
06.02.2023 ISSUE FOR PERMIT
09.21.2023 CHFA PRELIM. SUBMISSION



THIRD FLOOR POWER PLAN | 1
1/4" = 1'-0" | E2.3



CONTRACTOR NOTE
IT IS THE RESPONSIBILITY OF THE CONTRACTOR TO NOTIFY THE ARCHITECT, LANDLORD AND TENANT OF ANY DISCREPANCIES ENCOUNTERED ON THE PLANS OR IN EXISTING SITE CONDITIONS PRIOR TO SUBMISSION OF BID.
BIDDERS ARE TO VISIT THE SITE AND FAMILIARIZE THEMSELVES WITH EXISTING CONDITIONS AND SATISFY THEMSELVES AS TO THE NATURE AND SCOPE OF THE WORK. THE BASE BID SHALL REFLECT MODIFICATIONS TO SYSTEMS AND DEVICES AS REQUIRED BY STATE, LOCAL AND FEDERAL CODES WHETHER INDICATED OR NOT ON CONTRACT DOCUMENTS. THE SUBMISSIONS OF A BID WILL BE EVIDENCE THAT SUCH AN EXAMINATION AND COMPLIANCE WITH GOVERNING CODES/REQUIREMENTS HAS BEEN MADE. LATER CLAIMS FOR LABOR, EQUIPMENT, OR MATERIALS REQUIRED, OR FOR DIFFICULTIES ENCOUNTERED WHICH COULD HAVE BEEN FORESEEN HAD AN EXAMINATION AND CODE/REQUIREMENTS REVIEW BEEN MADE, WILL NOT BE ALLOWED.

THIRD FLOOR POWER PLAN

E2.3

**** NOTE ****
SEE GENERAL NOTES AND PLAN NOTES ON FIRST SHEET OF E2 SERIES DRAWINGS.

NOT FOR CONSTRUCTION

CITYSTUDIOS ARCHITECTURE
1148 Main Street
Cincinnati, OH 45202
ph: 513.621.0750
citystudiosarch.com

advantage
STRUCTURAL ENGINEERS
1527 Madison Road
Cincinnati, OH 45206
513.396.8900
www.advantageSE.com

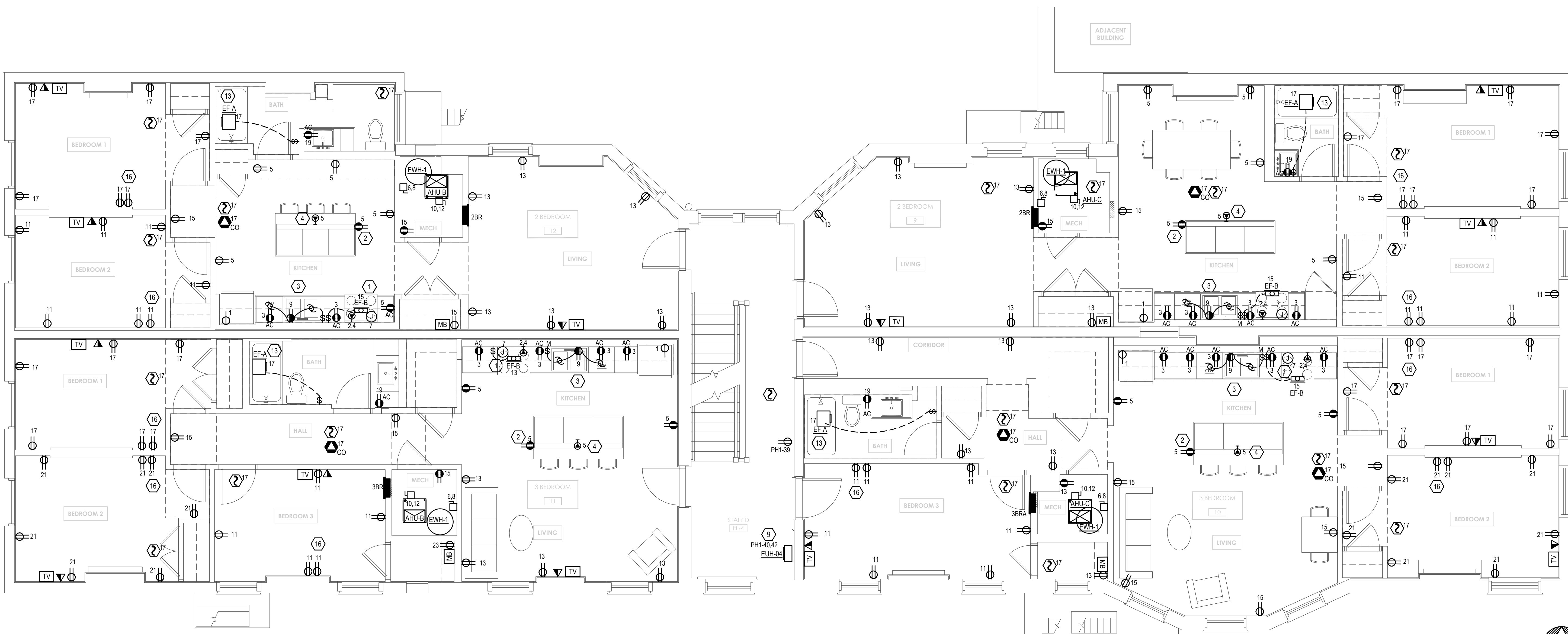
VIOX & VIOX
Civil Engineers, Surveyors, and Landscape Architects
Professional Engineer License No. 11111
Professional Landscaper License No. 11111
Professional Surveyor License No. 11111
Professional Engineer License No. 11111

PE Services
A SERVICE GROUP OF
www.pe-services.com
9 North Broadway
Lebanon, OH 45046
513-836-3810

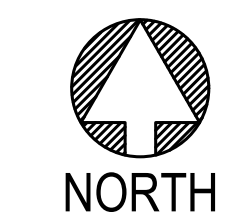
RUSS ALLEY
1623-1625 VINE STREET, 1624 REPUBLIC STREET
(1625 VINE HPTC APPLICATION)
CINCINNATI, OH 45202

3CDC CINCINNATI CENTER CITY DEVELOPMENT CORPORATION

ISSUE LOG:
06.02.2023 ISSUE FOR PERMIT
09.21.2023 CHFA PRELIM. SUBMISSION



FOURTH FLOOR POWER PLAN | 1
1/4" = 1'-0" | E2.4



CONTRACTOR NOTE
IT IS THE RESPONSIBILITY OF THE CONTRACTOR TO NOTIFY THE ARCHITECT, LANDLORD AND TENANT OF ANY DISCREPANCIES ENCOUNTERED ON THE PLANS OR IN EXISTING SITE CONDITIONS PRIOR TO SUBMISSION OF BID.
BIDDERS ARE TO VISIT THE SITE AND FAMILIARIZE THEMSELVES WITH EXISTING CONDITIONS AND SATISFY THEMSELVES AS TO THE NATURE AND SCOPE OF THE WORK. THE BASE BID SHALL REFLECT MODIFICATIONS TO SYSTEMS AND DEVICES AS REQUIRED BY STATE, LOCAL AND FEDERAL CODES WHETHER INDICATED OR NOT ON CONTRACT DOCUMENTS. THE SUBMISSIONS OF A BID WILL BE EVIDENCE THAT SUCH AN EXAMINATION AND COMPLIANCE WITH GOVERNING CODES/REQUIREMENTS HAS BEEN MADE. LATER CLAIMS FOR LABOR, EQUIPMENT, OR MATERIALS REQUIRED, OR FOR DIFFICULTIES ENCOUNTERED WHICH COULD HAVE BEEN FORESEEN HAD AN EXAMINATION AND CODE/REQUIREMENTS REVIEW BEEN MADE, WILL NOT BE ALLOWED.

FOURTH FLOOR POWER PLAN

E2.4

GENERAL NOTES:

- A. ALL WORK SHALL MEET OR EXCEED ALL NEC STANDARDS.
- B. SEE MAIN ELECTRICAL GENERAL NOTES FOR MORE INFORMATION.
- C. COORDINATE ALL WORK WITH OTHER TRADES PRIOR TO ROUGH-IN.
- D. VERIFY EXACT LOCATIONS AND MOUNTING HEIGHTS FOR ALL FIXTURES AND DEVICES PRIOR TO ROUGH-IN.
- E. VERIFY THE COLOR OF ALL FIXTURES, DEVICES, AND COVER PLATES WITH OWNER.

PLAN NOTES:

- 1. PROVIDE A JUNCTION BOX / RECEPTACLE WITHIN 6'-0" OF EACH RADON VERTICAL RISER PIPE IN ATTIC. COORDINATE EXACT LOCATION AND QUANTITIES WITH RADON SUBCONTRACTOR PRIOR TO ROUGH-IN.
- 2. PROVIDE 120 VOLT HEAT TRACE. COORDINATE EXACT LOCATION AND MANUFACTURE REQUIREMENTS WITH PLUMBING CONTRACTOR PRIOR TO INSTALLATION.

NOT FOR CONSTRUCTION

CITYSTUDIOS
ARCHITECTURE
1148 Main Street
Cincinnati, OH 45202
ph: 513.621.0750
citystudiosarch.com

advantage
STRUCTURAL ENGINEERS
1527 Madison Road
Cincinnati, OH 45206
513.396.8900
www.advantageSE.com

VIOX & VIOX
Civil Engineers, Surveyors, and Landscape Architects
10100 Eastern Avenue, Dayton, OH 45424
PH: 937.233.7222 • FX: 937.233.7222 • www.viox.com

PE Services
ENGINEERING FOR YOUR BUSINESS
www.pe-services.com
9 North Broadway
Lebanon, OH 45046
513-836-3810

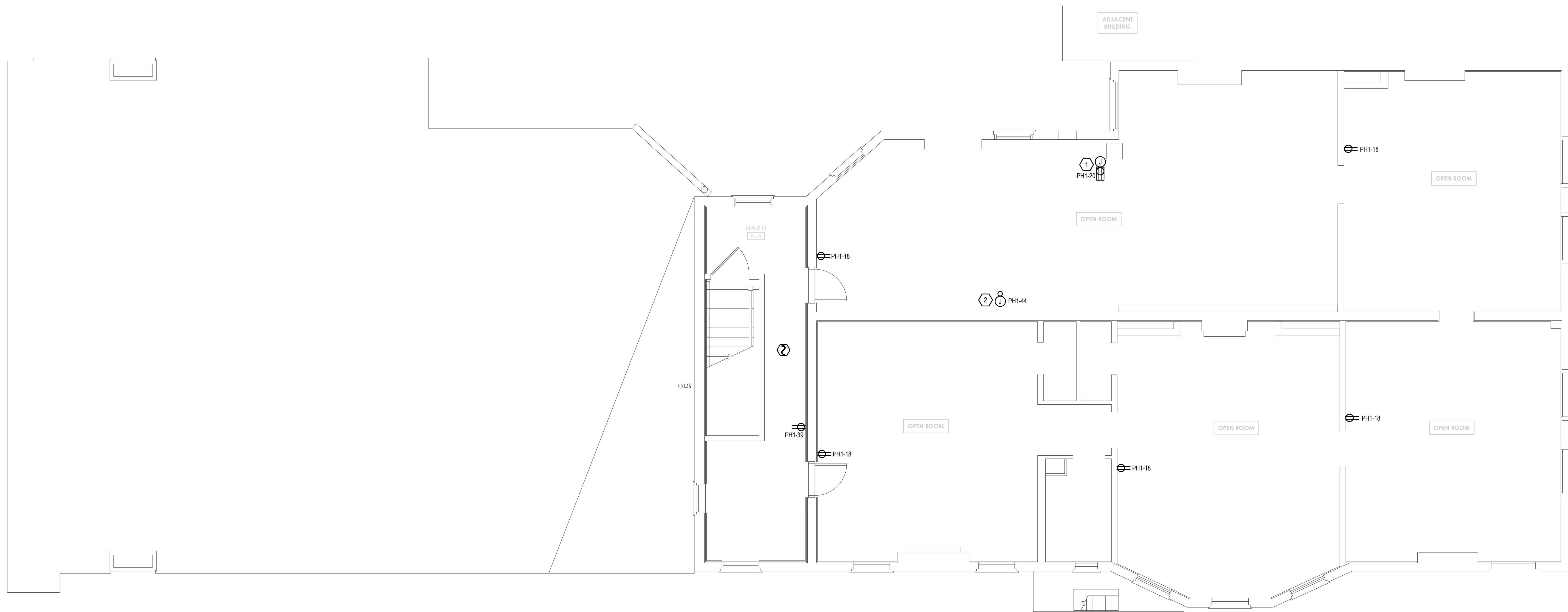
RUSS ALLEY
1623-1625 VINE STREET, 1624 REPUBLIC STREET
(1625 VINE HPTC APPLICATION)
CINCINNATI, OH 45202

3CDC CINCINNATI CENTER CITY DEVELOPMENT CORPORATION

ISSUE LOG:
06.02.2023
ISSUE FOR PERMIT
09.21.2023
OHFA PRELIM. SUBMISSION

CONTRACTOR NOTE

IT IS THE RESPONSIBILITY OF THE CONTRACTOR TO NOTIFY THE ARCHITECT, LANDLORD AND TENANT OF ANY DISCREPANCIES ENCOUNTERED ON THE PLANS OR IN EXISTING SITE CONDITIONS PRIOR TO SUBMISSION OF BID. BIDDERS ARE TO VISIT THE SITE AND FAMILIARIZE THEMSELVES WITH EXISTING CONDITIONS AND SATISFY THEMSELVES AS TO THE NATURE AND SCOPE OF THE WORK. THE BASE BID SHALL REFLECT MODIFICATIONS TO SYSTEMS AND DEVICES AS REQUIRED BY STATE, LOCAL, AND FEDERAL CODES WHETHER INDICATED OR NOT ON CONTRACT DOCUMENTS. THE SUBMISSIONS OF A BID WILL BE EVIDENCE THAT SUCH AN EXAMINATION AND COMPLIANCE WITH GOVERNING CODES/REQUIREMENTS HAS BEEN MADE. LATER CLAIMS FOR LABOR, EQUIPMENT, OR MATERIALS REQUIRED, OR FOR DIFFICULTIES ENCOUNTERED WHICH COULD HAVE BEEN FORESEEN HAD AN EXAMINATION AND CODE/REQUIREMENTS REVIEW BEEN MADE, WILL NOT BE ALLOWED.



ATTIC POWER PLAN | 1
1/4" = 1'-0" E2.5



ATTIC POWER PLAN

E2.5

GENERAL NOTES:

- A. ALL WORK SHALL MEET OR EXCEED ALL NEC STANDARDS.
- B. SEE MAIN ELECTRICAL GENERAL NOTES FOR MORE INFORMATION.
- C. COORDINATE ALL WORK WITH OTHER TRADES PRIOR TO ROUGH-IN.
- D. VERIFY EXACT LOCATIONS AND MOUNTING HEIGHTS FOR ALL FIXTURES AND DEVICES PRIOR TO ROUGH-IN.
- E. VERIFY THE COLOR OF ALL FIXTURES, DEVICES, AND COVER PLATES WITH OWNER.

PLAN NOTES:

- 1. PROVIDE ELECTRICAL CONNECTION AND ACCESSIBLE SAFETY SWITCH TO SERVE MECHANICAL EQUIPMENT. VERIFY EXACT REQUIREMENTS WITH MANUFACTURER'S NAMEPLATE AND COORDINATE EXACT LOCATION WITH MECHANICAL CONTRACTOR PRIOR TO ROUGH-IN.
- 2. PROVIDE INTERCONNECTION BETWEEN INDOOR AND OUTDOOR HVAC EQUIPMENT. VERIFY LOCATION AND ALL REQUIREMENTS OF EQUIPMENT PRIOR TO ROUGH-IN.

NOT FOR CONSTRUCTION

CITYSTUDIOS
ARCHITECTURE
1148 Main Street
Cincinnati, OH 45202
ph: 513.621.0750
citystudiosarch.com

advantage
STRUCTURAL ENGINEERS
1527 Madison Road
Cincinnati, OH 45206
513.396.8900
www.advantageSE.com

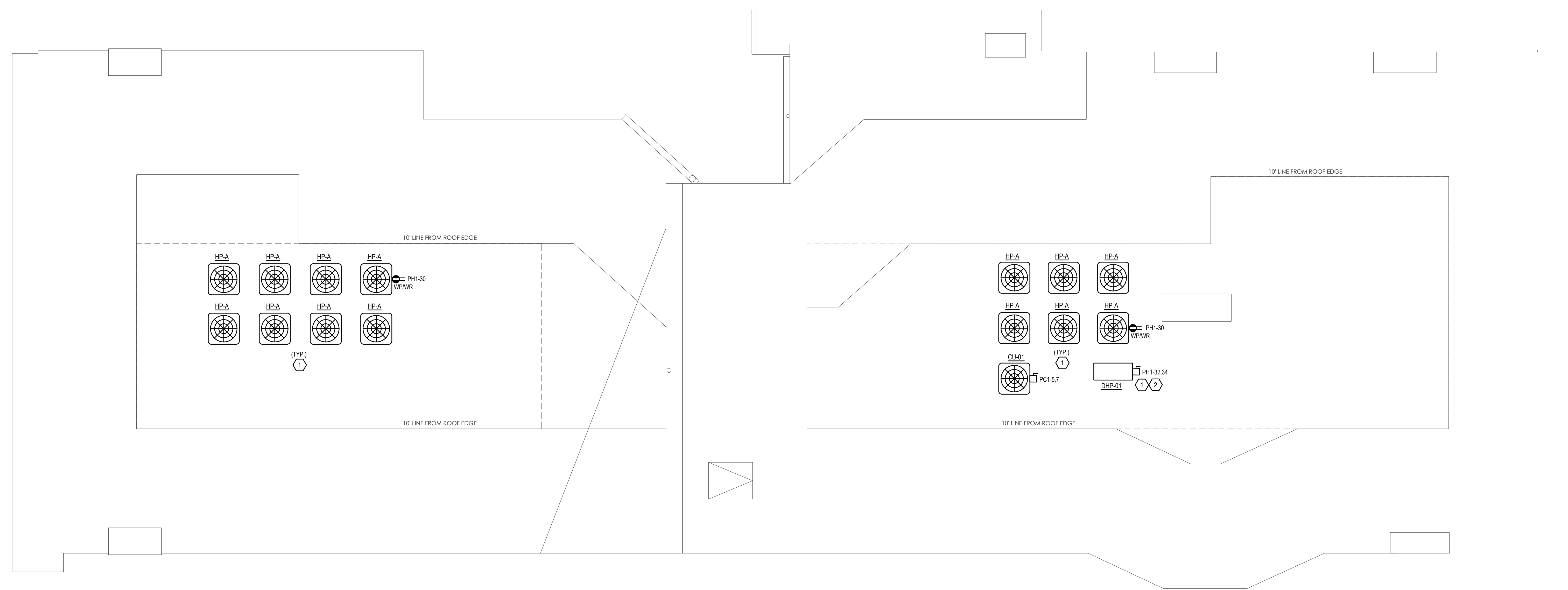
VIOX & VIOX
Civil Engineers, Surveyors, and Landscape Architects
10000 Woodloch Forest Drive
Cincinnati, OH 45241
PH: 513.963.1234 • FX: 513.963.1235 • www.viox.com

PE Services
ENGINEERING FOR YOUR BUSINESS
9 North Broadway
Lebanon, OH 45046
513-836-3810

RUSS ALLEY
1623-1625 VINE STREET, 1624 REPUBLIC STREET
(1625 VINE HPTC APPLICATION)
CINCINNATI, OH 45202

3CDC CINCINNATI CENTER CITY DEVELOPMENT CORPORATION

ISSUE LOG:
06.02.2023
ISSUE FOR PERMIT
09.21.2023
CHFA PRELIM. SUBMISSION



CONTRACTOR NOTE

IT IS THE RESPONSIBILITY OF THE CONTRACTOR TO NOTIFY THE ARCHITECT, LANDLORD AND TENANT OF ANY DISCREPANCIES ENCOUNTERED ON THE PLANS OR IN EXISTING SITE CONDITIONS PRIOR TO SUBMISSION OF BID.

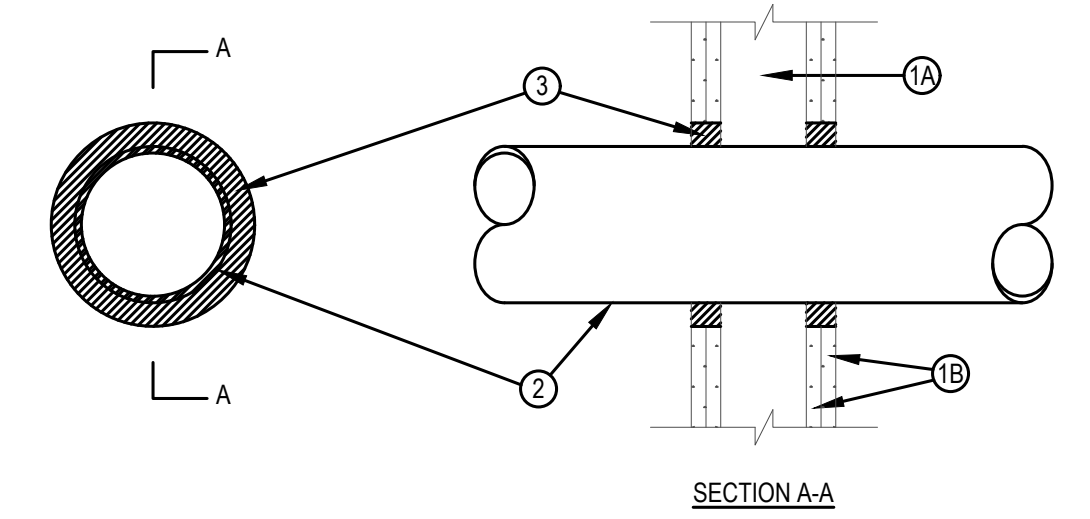
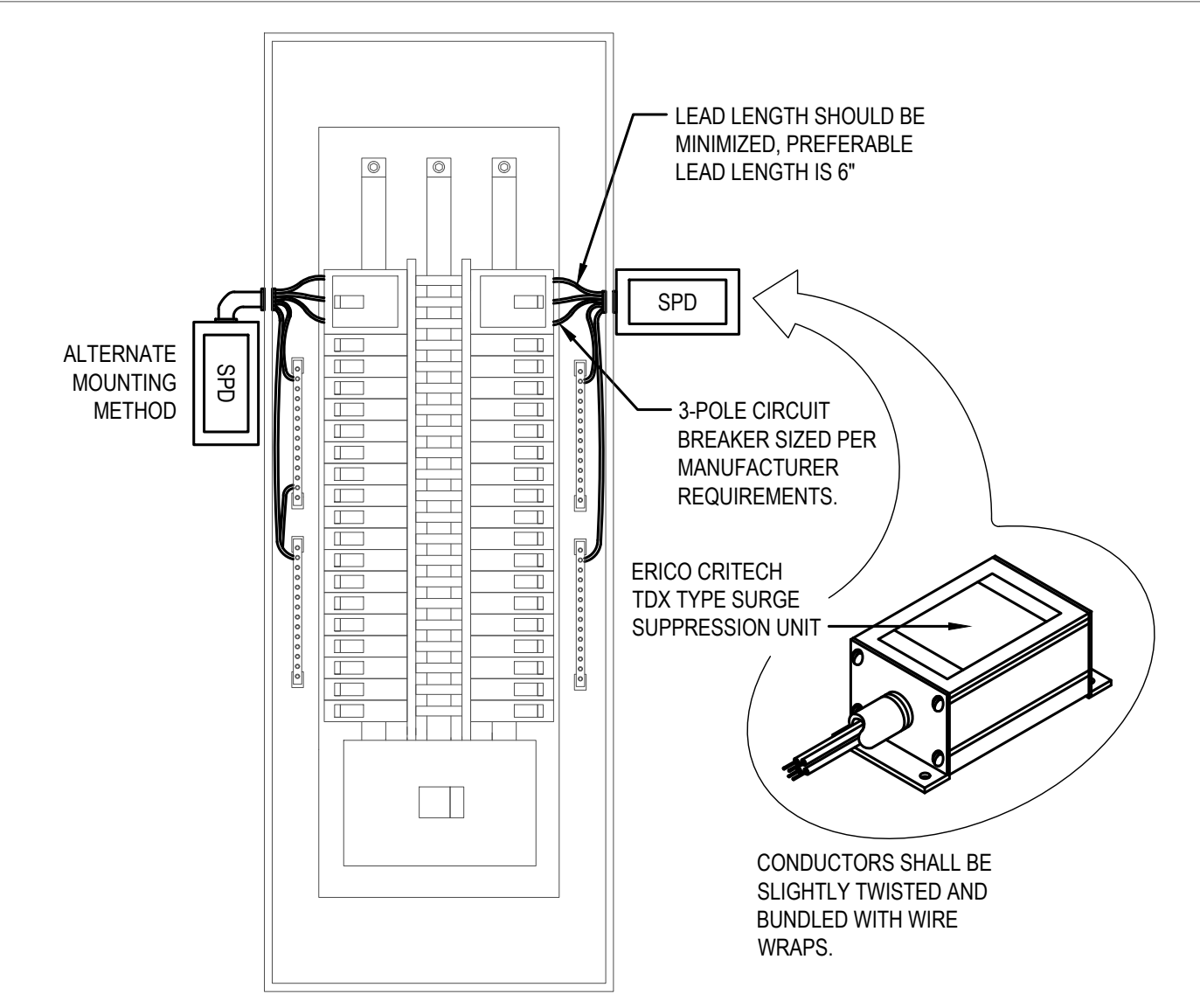
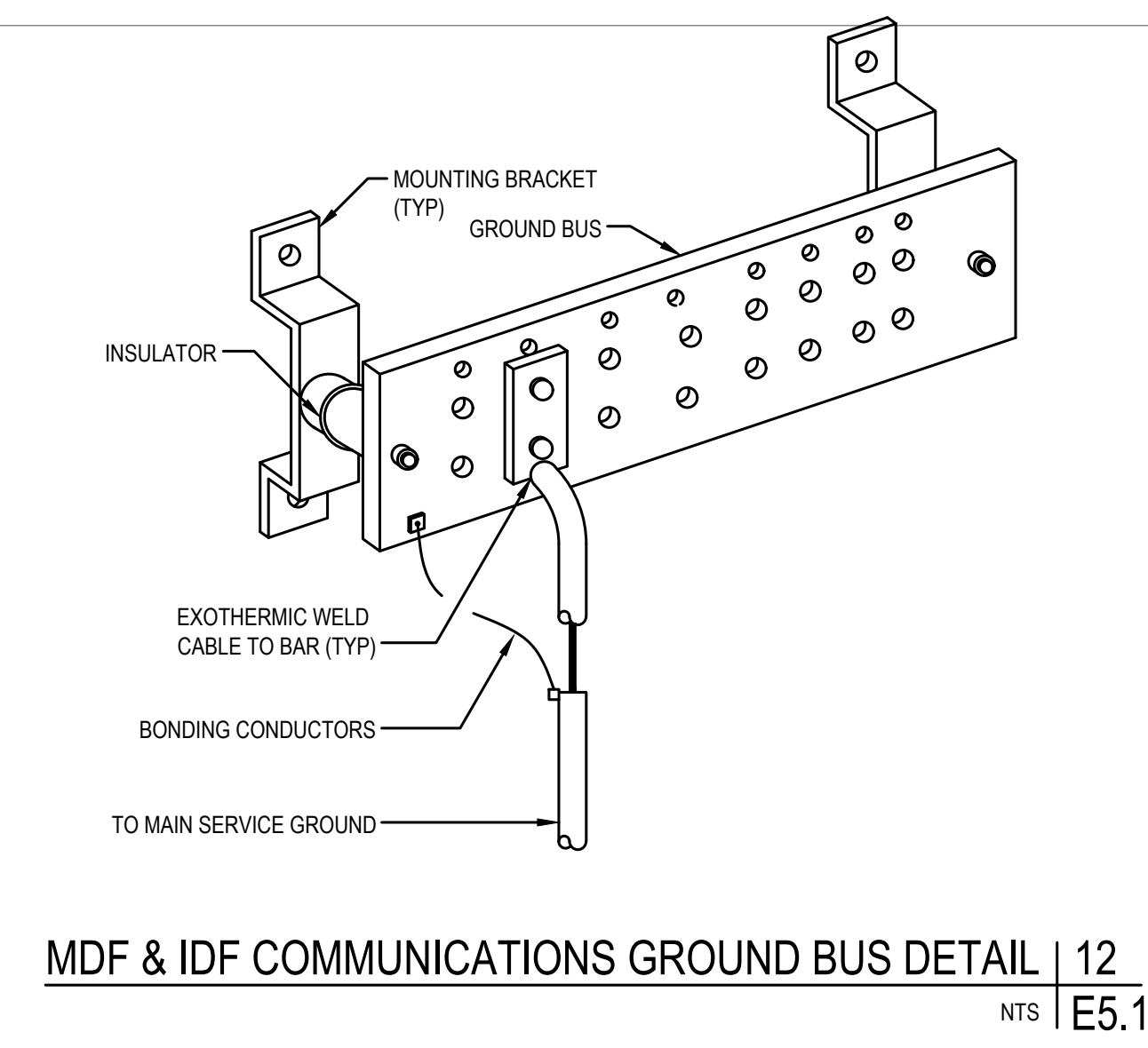
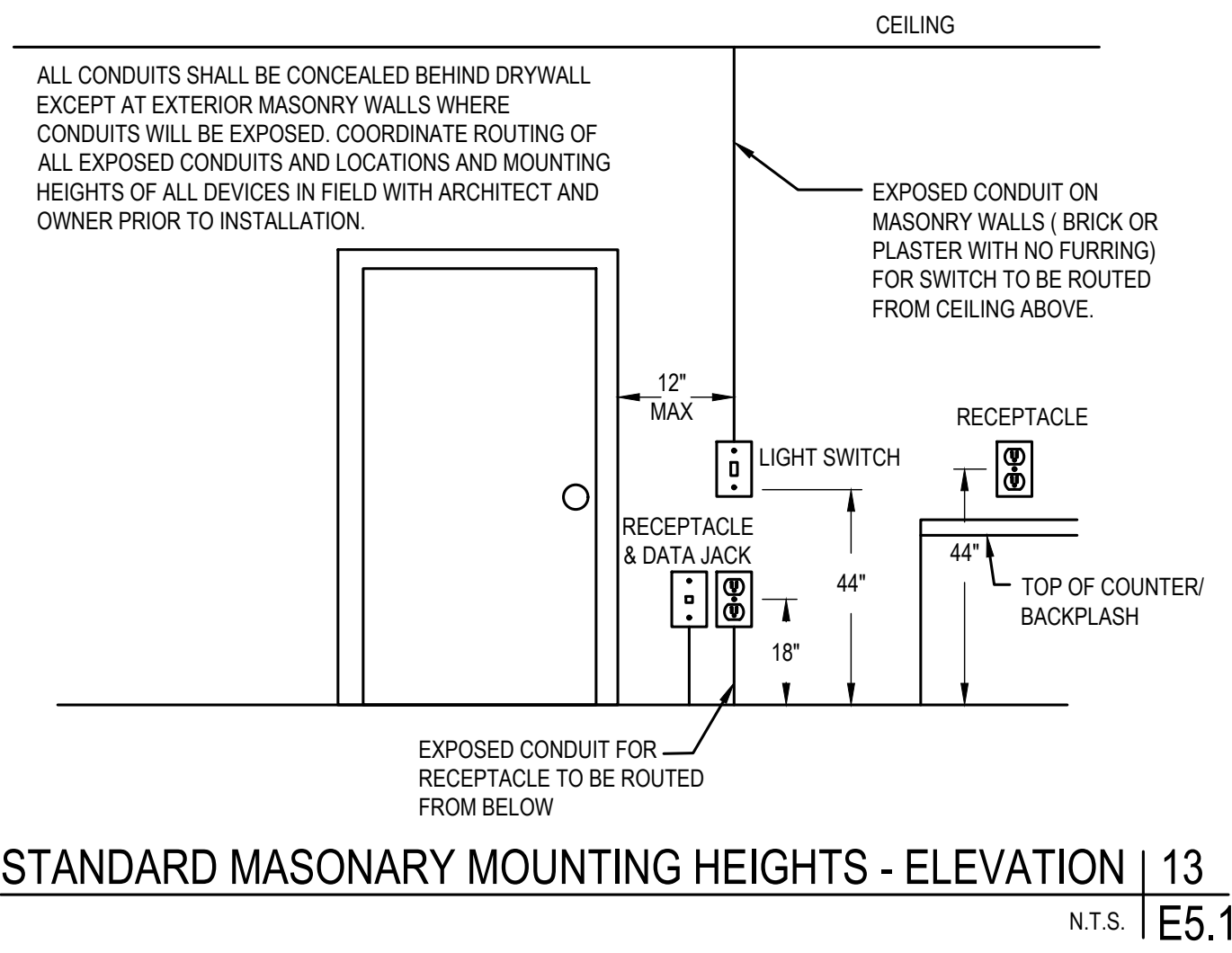
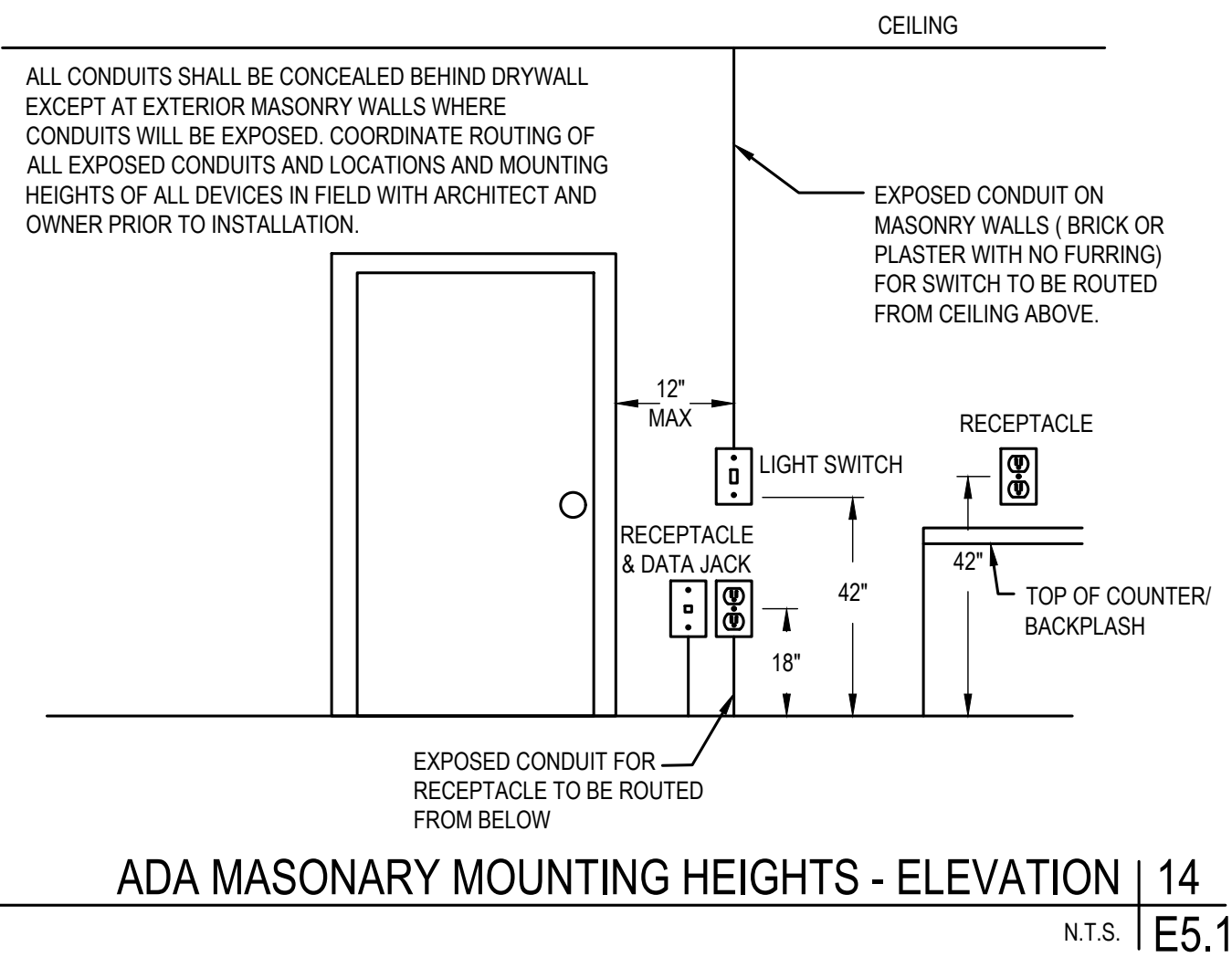
BIDDERS ARE TO VISIT THE SITE AND FAMILIARIZE THEMSELVES WITH EXISTING CONDITIONS AND SATISFY THEMSELVES AS TO THE NATURE AND SCOPE OF THE WORK. THE BASE BID SHALL REFLECT MODIFICATIONS TO SYSTEMS AND DEVICES AS REQUIRED BY STATE, LOCAL, AND FEDERAL CODES WHETHER INDICATED OR NOT ON CONTRACT DOCUMENTS. THE SUBMISSIONS OF A BID WILL BE EVIDENCE THAT SUCH AN EXAMINATION AND COMPLIANCE WITH GOVERNING CODES/REQUIREMENTS HAS BEEN MADE. LATER CLAIMS FOR LABOR, EQUIPMENT, OR MATERIALS REQUIRED, OR FOR DIFFICULTIES ENCOUNTERED WHICH COULD HAVE BEEN FORESEEN HAD AN EXAMINATION AND CODE/REQUIREMENTS REVIEW BEEN MADE, WILL NOT BE ALLOWED.

ROOF POWER PLAN | 1
1/4" = 1'-0" | E2.6



ROOF POWER PLAN

E2.6



1. WALL ASSEMBLY - THE 1 OR 2 HR FIRE-RATED GYPSUM WALLBOARD/STUD WALL ASSEMBLY SHALL BE CONSTRUCTED OF THE MATERIALS AND IN THE MANNER SPECIFIED IN THE INDIVIDUAL U300 OR U400 SERIES WALL AND PARTITION DESIGNS IN THE UL FIRE RESISTANCE DIRECTORY AND SHALL INCLUDE THE FOLLOWING CONSTRUCTION FEATURES:

A. STUDS - WALL FRAMING MAY CONSIST OF EITHER WOOD STUDS OR STEEL CHANNEL STUDS. WOOD STUDS TO CONSIST OF NOM 2 BY 4 IN. LUMBER SPACED 16 IN. OC. STEEL STUDS TO BE MIN 2-1/2 IN. WIDE AND SPACED MAX 24 IN. OC. WHEN STEEL STUDS ARE USED AND THE DIAM OF OPENING EXCEEDS THE WIDTH OF STUD CAVITY, THE OPENING SHALL BE FRAMED ON ALL SIDES USING LENGTHS OF STEEL STUD INSTALLED BETWEEN THE VERTICAL STUDS AND SCREW ATTACHED TO THE STEEL STUDS AT EACH END. THE FRAMED OPENING IN THE WALL SHALL BE 4 TO 6 IN. WIDER AND 4 TO 6 IN. HIGHER THAN THE DIAM OF THE PENETRATING ITEM SUCH THAT, WHEN THE PENETRATING ITEM IS INSTALLED IN THE OPENING, A 2 TO 3 IN. CLEARANCE IS PRESENT BETWEEN THE PENETRATING ITEM AND THE FRAMING ON ALL FOUR SIDES.

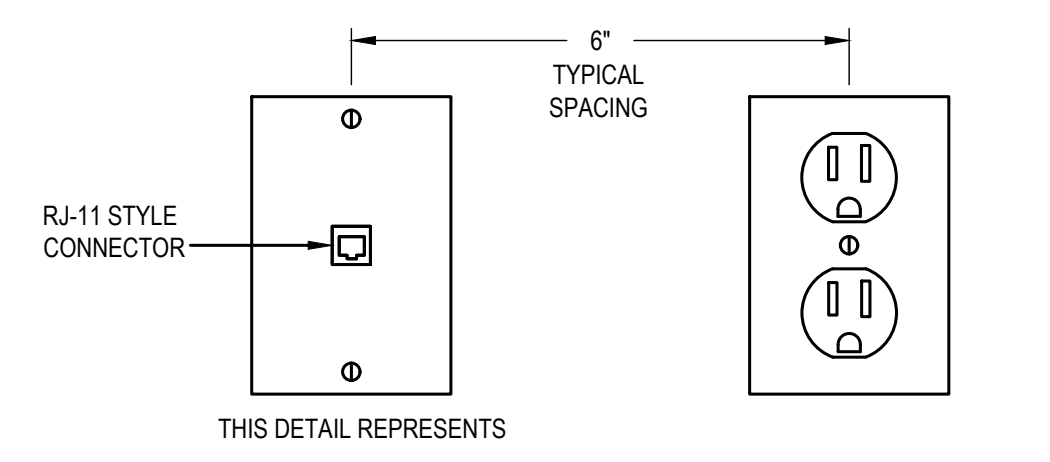
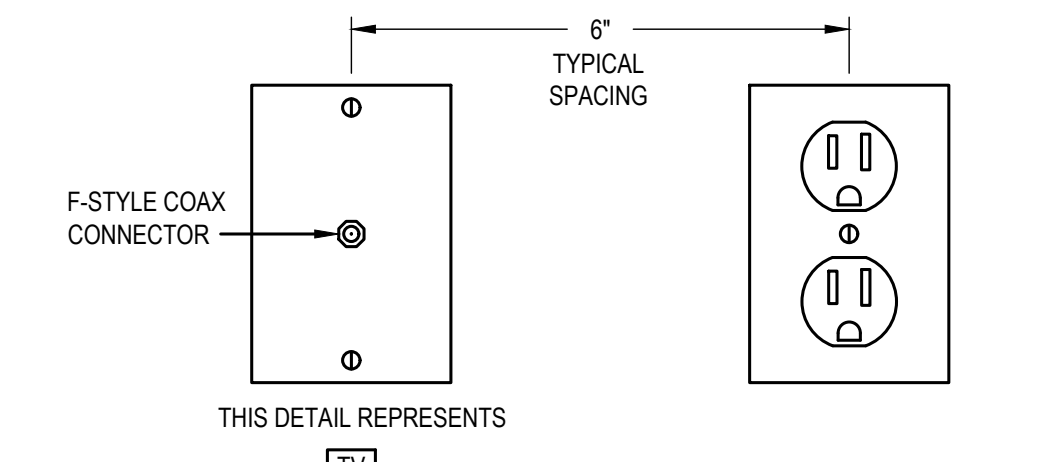
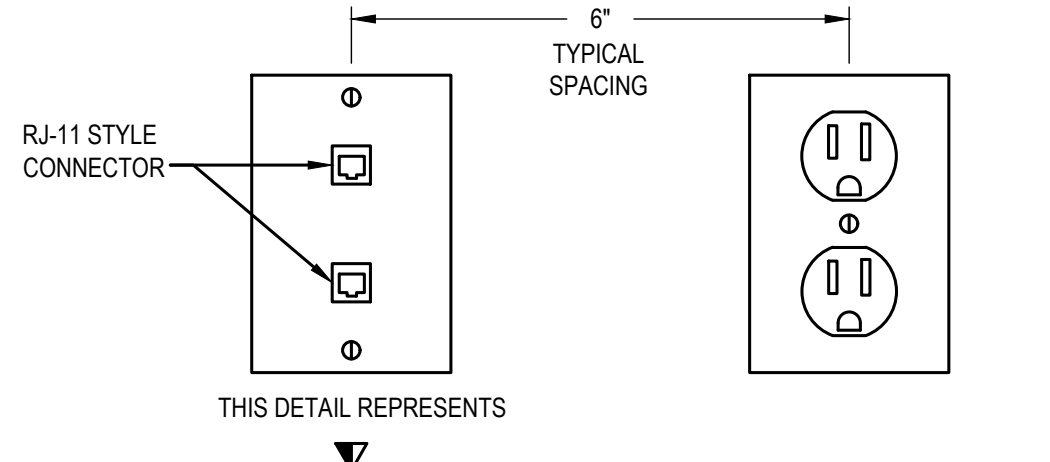
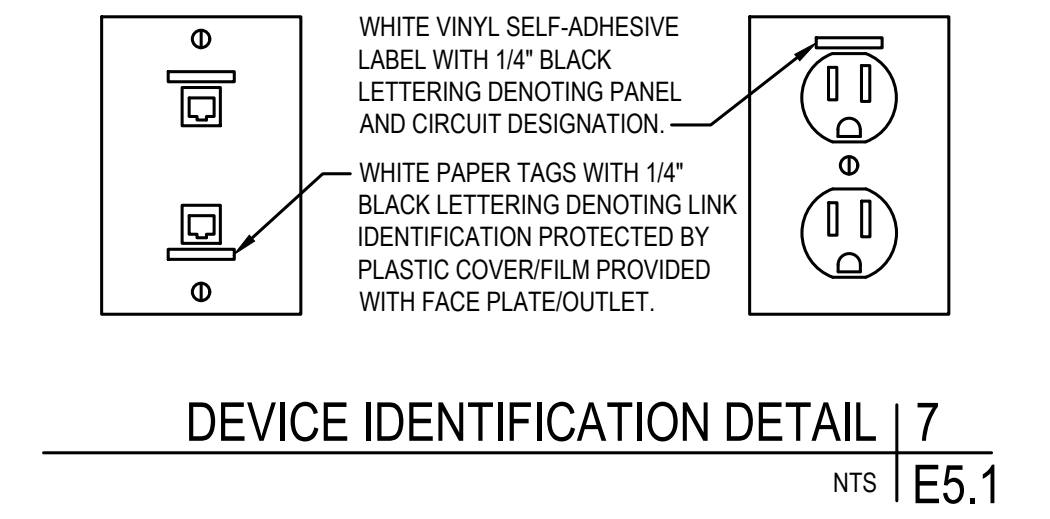
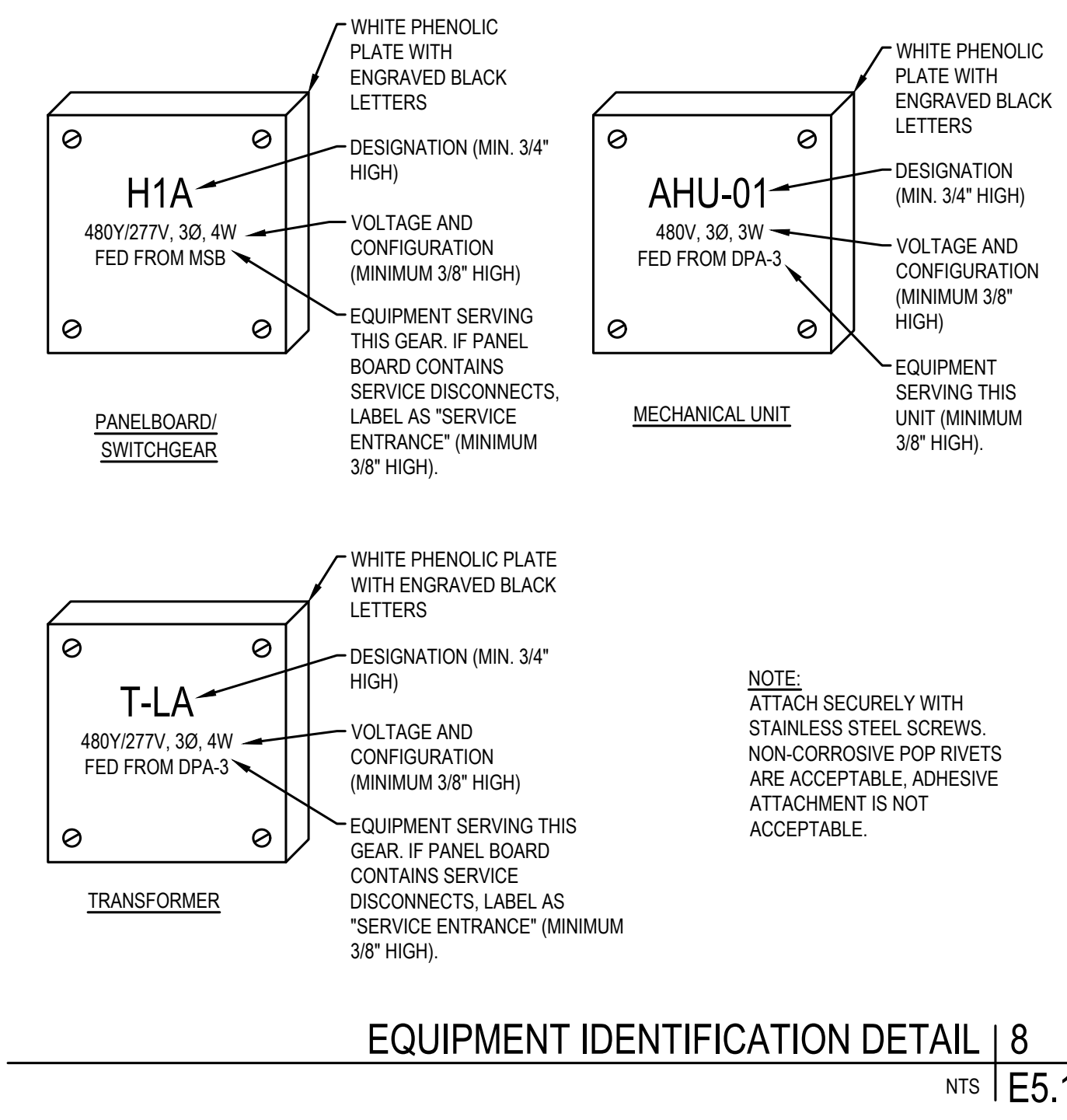
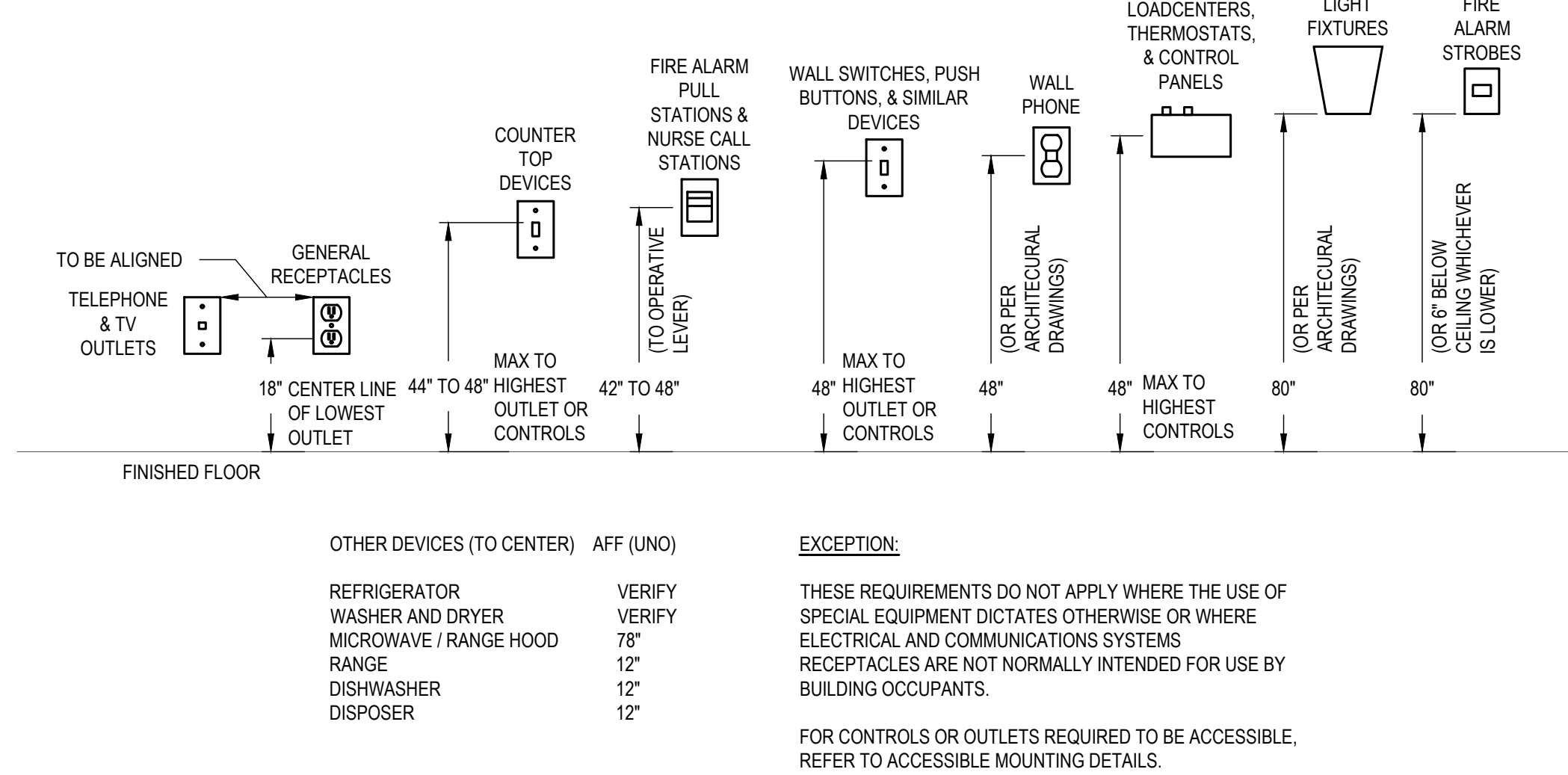
B. GYPSUM BOARD - 5/8 IN. THICK, 4 FT WIDE WITH SQUARE OR TAPERED EDGES. THE GYPSUM BOARD TYPE, THICKNESS, NUMBER OF LAYERS, FASTENER TYPE AND SHEET ORIENTATION SHALL BE AS SPECIFIED IN THE INDIVIDUAL U300 OR U400 SERIES DESIGN IN THE UL FIRE RESISTANCE DIRECTORY. MAX DIAM OF OPENING IS 32-1/4 IN. FOR STEEL STUD WALLS. MAX DIAM OF OPENING IS 14-1/2 IN. FOR WOOD STUD WALLS. THE F RATING OF THE FIRESTOP SYSTEM IS EQUAL TO THE FIRE RATING OF THE WALL ASSEMBLY.

2. THROUGH-PENETRANTS - ONE METALLIC PIPE, CONDUIT OR TUBING TO BE INSTALLED EITHER CONCENTRICALLY OR ECCENTRICALLY WITHIN THE FIRESTOP SYSTEM. THE ANNULAR SPACE SHALL BE MIN 0 IN. TO MAX 2-1/4 IN. PIPE MAY BE INSTALLED WITH CONTINUOUS POINT CONTACT. PIPE, CONDUIT OR TUBING MAY BE INSTALLED AT AN ANGLE NOT GREATER THAN 45 DEGREES FROM PERPENDICULAR. PIPE, CONDUIT OR TUBING TO BE RIGIDLY SUPPORTED ON BOTH SIDES OF WALL ASSEMBLY. THE FOLLOWING TYPES AND SIZES OF METALLIC PIPES, CONDUITS OR TUBING MAY BE USED:

A. STEEL PIPE - NOM 30 IN DIAM (OR SMALLER) SCHEDULE 10 (OR HEAVIER) STEEL PIPE.
B. IRON PIPE - NOM 30 IN. DIAM (OR SMALLER) CAST OR DUCTILE IRON PIPE.
C. CONDUIT - NOM 4 IN DIAM (OR SMALLER) STEEL ELECTRICAL METALLIC TUBING OR 6 IN. DIAM STEEL CONDUIT.
D. COPPER TUBING - NOM 6 IN. DIAM (OR SMALLER) TYPE L (OR HEAVIER) COPPER TUBING.
E. COPPER PIPE - NOM 6 IN. DIAM (OR SMALLER) REGULAR (OR HEAVIER) COPPER PIPE.

3. FILL, VOID OR CAVITY MATERIAL - SEALANT - MIN 5/8 IN. THICKNESS OF FILL MATERIAL APPLIED WITHIN THE ANNULUS, FLUSH WITH BOTH SURFACES OF WALL. AT THE POINT OR CONTINUOUS CONTACT LOCATIONS BETWEEN PIPE AND WALL, A MIN 1/2 IN. DIAM BEAD OF FILL MATERIAL SHALL BE APPLIED AT THE PIPE WALL INTERFACE ON BOTH SURFACES OF WALL.

HILTI CONSTRUCTION CHEMICALS, DIV OF HILTI INC - FS-ONE SEALANT
 *BEARING THE UL CLASSIFICATION MARK



FIRE RATED WALL PENETRATION DETAIL | 10
 NTS | E5.1

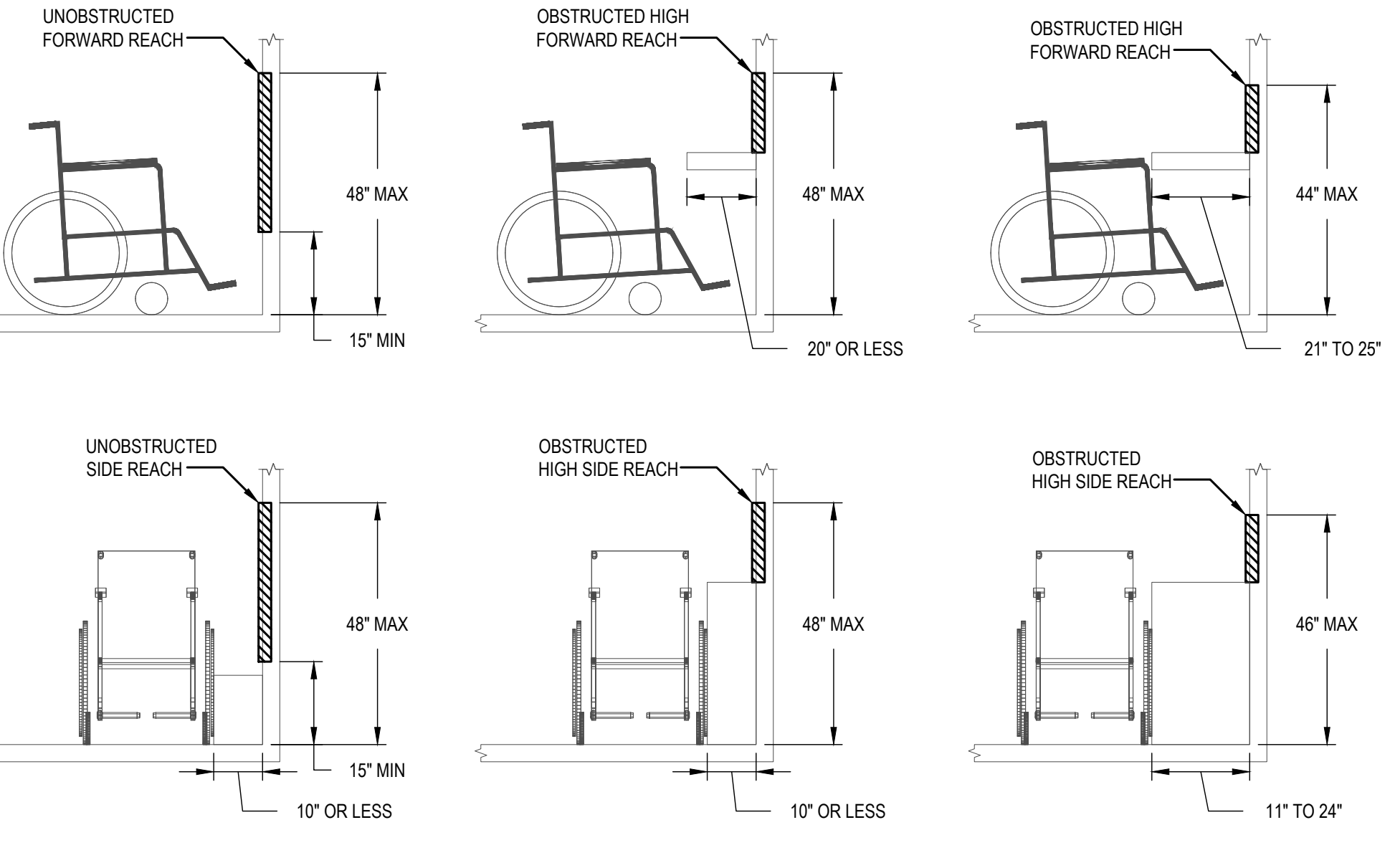
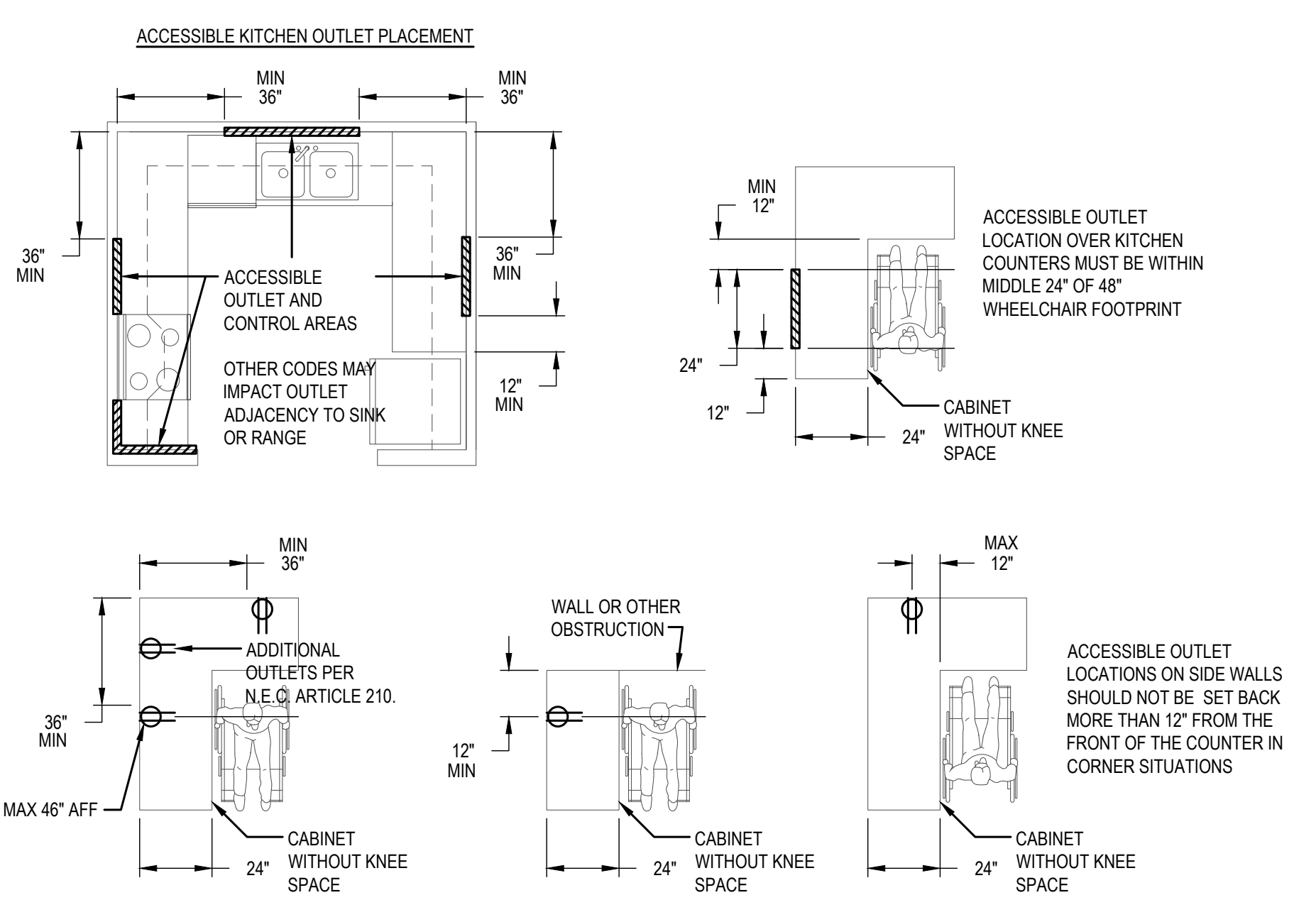
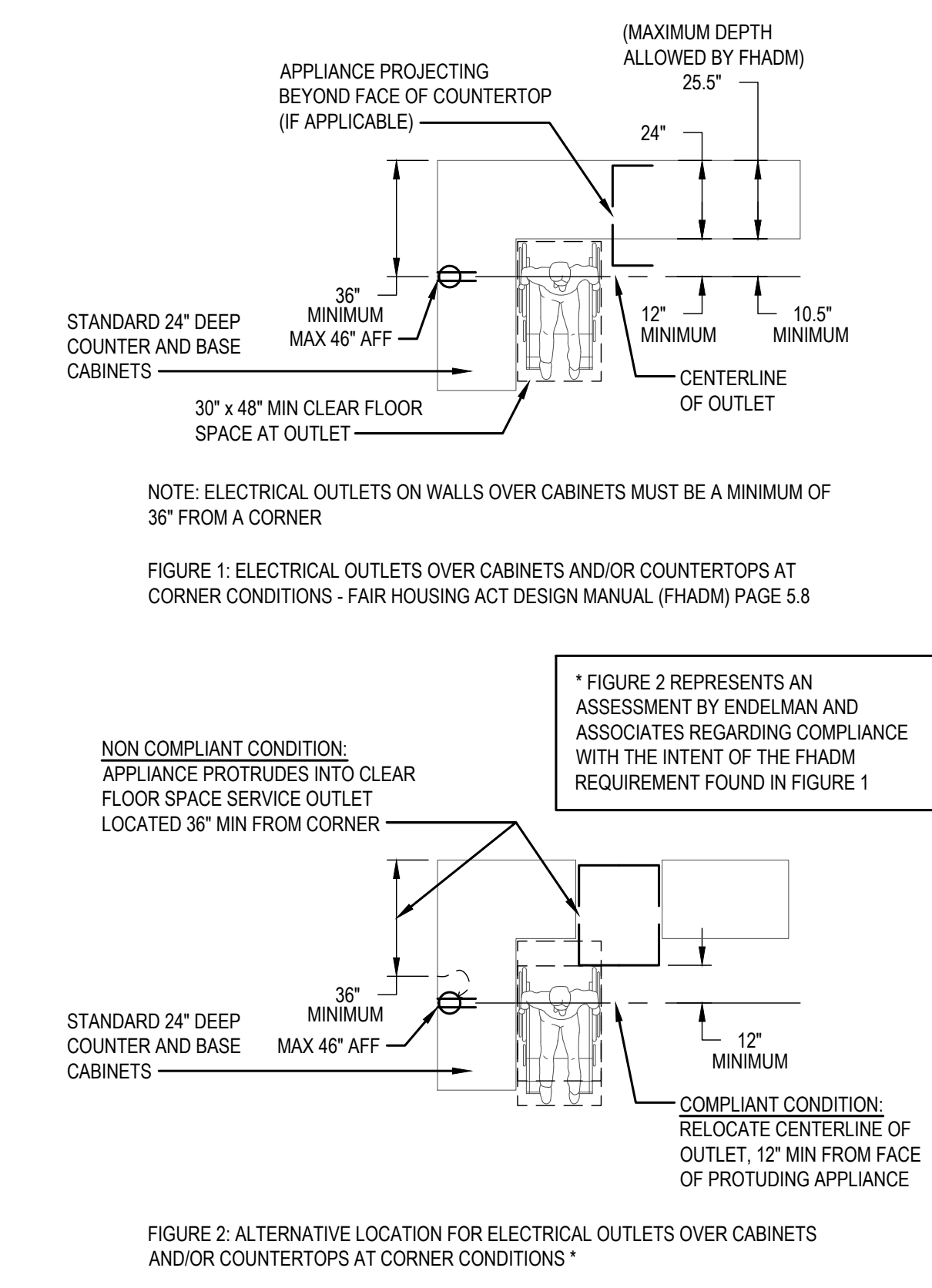
DEVICE MOUNTING DETAIL - GENERAL | 9
 NTS | E5.1

EQUIPMENT IDENTIFICATION DETAIL | 8
 NTS | E5.1

TELEPHONE & DATA COMBINATION OUTLET DETAIL | 6
 NTS | E5.1

CABLE TELEVISION OUTLET DETAIL | 5
 NTS | E5.1

TELEPHONE OR DATA OUTLET DETAIL | 4
 NTS | E5.1



CONTRACTOR NOTE
 IT IS THE RESPONSIBILITY OF THE CONTRACTOR TO NOTIFY THE ARCHITECT, LANDLORD AND TENANT OF ANY DISCREPANCIES ENCOUNTERED ON THE PLANS OR IN EXISTING SITE CONDITIONS PRIOR TO SUBMISSION OF BID.
 BIDDERS ARE TO VISIT THE SITE AND FAMILIARIZE THEMSELVES WITH EXISTING CONDITIONS AND SATISFY THEMSELVES AS TO THE NATURE AND SCOPE OF THE WORK. THE BASE BID SHALL REFLECT MODIFICATIONS TO SYSTEMS AND DEVICES AS REQUIRED BY STATE, LOCAL AND FEDERAL CODES WHETHER INDICATED OR NOT ON CONTRACT DOCUMENTS. THE SUBMISSIONS OF A BID WILL BE EVIDENCE THAT SUCH AN EXAMINATION AND COMPLIANCE WITH GOVERNING CODES/REQUIREMENTS HAS BEEN MADE. LATER CLAIMS FOR LABOR, EQUIPMENT, OR MATERIALS REQUIRED OR FOR DIFFICULTIES ENCOUNTERED WHICH COULD HAVE BEEN FORESEEN HAD AN EXAMINATION AND CODE/REQUIREMENTS REVIEW BEEN MADE, WILL NOT BE ALLOWED.

NOT FOR CONSTRUCTION

CITYSTUDIOS ARCHITECTURE
 1148 Main Street
 Cincinnati, OH 45202
 ph. 513.621.0750
 citystudiosarch.com

advantage STRUCTURAL ENGINEERS
 1527 Madison Road
 Cincinnati, OH 45206
 513.396.8900
 www.advantageSE.com

VIXO&VIXO
 Civil Engineers, Surveyors, and Landscape Architects
 1650 Riverchase Parkway
 Birmingham, AL 35295
 Phone: 205.911.2200 • Fax: 205.911.2208 • www.vixov.com

PE Services
 CONSULTING FOR THE BUILDING INDUSTRY
 9 North Broadway
 Lebanon, OH 45046
 513-936-3810

RUSS ALLEY
 1623 - 1625 VINE STREET, 1624 REPUBLIC STREET
 (1625 VINE HPTC APPLICATION)
 CINCINNATI, OH 45202

3CDC CINCINNATI CENTER CITY DEVELOPMENT CORPORATION

ISSUE LOG:
 04.02.2023
 ISSUE FOR PERMIT
 09.21.2023
 CHFA PRELIM. SUBMISSION

ELECTRICAL DETAILS

E5.1

		Part IV - NEC 220.82													220.82(B)		(C)(3)		220.82(C)		220.82(A)						
		(B)(1)			(B)(2)			(B)(3)a			(B)(3)b			(B)(3)c			(B)(3)d			220.82(B)		(C)(3)		220.82(C)		220.82(A)	
UNIT TYPE	SQUARE FEET	GENERAL LIGHTING & RECEPTACLES	# SMALL APPLIANCE CIRCUITS	SMALL APPLIANCE LOAD	# LAUNDRY CIRCUITS	LAUNDRY LOAD	REFRIGERATOR	DISPOSAL	DISHWASHER	MICROWAVE	RANGE	DRYER	WATER HEATER	GENERAL LOAD SUB-TOTAL	NEC 1000A AT 100%	BEHAVIOR AT 40%	NET COMPUTED GENERAL LOAD	LARGEST HVAC LOAD (VA)	OPTIONAL DEMAND LOAD CURRENT (AMPS)	UNIT OCPD							
U1-2BR	1100	3300	2	3000	0	0	1200	750	750	1000	9000	0	4500	23500	10000	5400	15400	7644	7644	23044	111	125					
U2-3BR	1265	3795	2	3000	0	0	1200	750	750	1000	9000	0	4500	23995	10000	5598	15998	7811	7811	23409	113	125					
U3-3BR	1075	3225	2	3000	0	0	1200	750	750	1000	9000	0	4500	23425	10000	5370	15370	7811	7811	23181	111	125					
U4-3BR	968	2904	2	3000	0	0	1200	750	750	1000	9000	0	4500	23044	10000	5242	15242	7811	7811	23052	111	125					
U5-3BR	1100	3300	2	3000	0	0	1200	750	750	1000	9000	0	4500	23900	10000	5400	15400	7644	7644	23044	111	125					
U6-3BR	1265	3795	2	3000	0	0	1200	750	750	1000	9000	0	4500	23995	10000	5598	15998	7811	7811	23409	113	125					
U7-3BR	1067	3201	2	3000	0	0	1200	750	750	1000	9000	0	4500	23401	10000	5360	15360	7811	7811	23171	111	125					
U8-2BR	959	2877	2	3000	0	0	1200	750	750	1000	9000	0	4500	23077	10000	5231	15231	7811	7811	23042	111	125					
U9-2BR	1100	3300	2	3000	0	0	1200	750	750	1000	9000	0	4500	23900	10000	5400	15400	7644	7644	23044	111	125					
U10-3BR	1265	3795	2	3000	0	0	1200	750	750	1000	9000	0	4500	23995	10000	5598	15998	7811	7811	23409	113	125					
U11-3BR	1067	3201	2	3000	0	0	1200	750	750	1000	9000	0	4500	23401	10000	5360	15360	7811	7811	23171	111	125					
U12-2BR	959	2877	2	3000	0	0	1200	750	750	1000	9000	0	4500	23077	10000	5231	15231	7811	7811	23042	111	125					
U13-1BR	771	2313	2	3000	1	1500	1200	750	750	1000	9000	5000	4500	29013	10000	7605	17605	7811	7811	23042	122	150					
U14-2BR	968	2904	2	3000	1	1500	1200	750	750	1000	9000	5000	4500	29014	10000	7842	17842	7811	7811	23042	122	150					
																			VOLTAGE	208							
																			PHASE	3							

		Part IV - NEC 220.84													UNIT TOTAL		UNIT COUNTS		TOTALIZED LOADS								
		(C)(1)			(C)(2)			(C)(3)a			(C)(3)b			(C)(3)c			(C)(3)d			(C)(5)		UNIT TOTAL		UNIT COUNTS		TOTALIZED LOADS	
UNIT TYPE	SQUARE FEET	GENERAL LIGHTING & RECEPTACLES	# SMALL APPLIANCE CIRCUITS	SMALL APPLIANCE LOAD	# LAUNDRY CIRCUITS	LAUNDRY LOAD	REFRIGERATOR	DISPOSAL	DISHWASHER	MICROWAVE	RANGE	DRYER	WATER HEATER	AIR CONDITIONING LOAD	HEAT PUMP/WH/ST/REFRIGERATOR	NET COMPUTED GENERAL LOAD	LARGEST HVAC LOAD (VA)	OPTIONAL DEMAND LOAD CURRENT (AMPS)	UNIT OCPD								
U1-2BR	1100	3300	2	3000	0	0	1200	750	750	1000	9000	0	4500	2496	7921	7921	31421	14	14	125							
U2-3BR	1265	3795	2	3000	0	0	1200	750	750	1000	9000	0	4500	2662	7921	7921	31916	14	14	125							
U3-3BR	1075	3225	2	3000	0	0	1200	750	750	1000	9000	0	4500	2662	7921	7921	31346	14	14	125							
U4-3BR	968	2904	2	3000	0	0	1200	750	750	1000	9000	0	4500	2662	7921	7921	31421	14	14	125							
U5-3BR	1100	3300	2	3000	0	0	1200	750	750	1000	9000	0	4500	2496	7921	7921	31421	14	14	125							
U6-3BR	1265	3795	2	3000	0	0	1200	750	750	1000	9000	0	4500	2662	7921	7921	31916	14	14	125							
U7-3BR	1067	3201	2	3000	0	0	1200	750	750	1000	9000	0	4500	2662	7921	7921	31322	14	14	125							
U8-2BR	959	2877	2	3000	0	0	1200	750	750	1000	9000	0	4500	2662	7921	7921	30998	14	14	125							
U9-2BR	1100	3300	2	3000	0	0	1200	750	750	1000	9000	0	4500	2662	7921	7921	31421	14	14	125							
U10-3BR	1265	3795	2	3000	0	0	1200	750	750	1000	9000	0	4500	2662	7921	7921	31916	14	14	125							
U11-3BR	1067	3201	2	3000	0	0	1200	750	750	1000	9000	0	4500	2662	7921	7921	31322	14	14	125							
U12-2BR	959	2877	2	3000	0	0	1200	750	750	1000	9000	0	4500	2662	7921	7921	30998	14	14	125							
U13-1BR	771	2313	2	3000	1	1500	1200	750	750	1000	9000	5000	4500	2662	7921	7921	36934	14	14	125							
U14-2BR	968	2904	2	3000	1	1500	1200	750	750	1000	9000	5000	4500	2662	7921	7921	37525	14	14	125							
																			DEMAND FACTOR (TABLE 220.84)	0.40							
																			DWELLING UNIT DEMAND LOAD	180590		VA					
																			HOUSE DEMAND LOAD (SHOWN ON HOUSE SCHEDULE PH1 & PC1)	145517		VA					
																			TOTAL DEMAND LOAD	326107		VA					
																			VOLTAGE	208							
																			PHASE	3							
																			TOTAL DEMAND LOAD CURRENT	905		AMPS					

LUMINAIRE SCHEDULE									
TAG	MANUFACTURER	MODEL NUMBER	VOLTS	LAMP TYPE	WATTS	MOUNTING TYPE	DESCRIPTION / REMARKS		
EXIT / EMERGENCY EGRESS FIXTURES									
EM	LSI LIGHTING	EAR-WH-S02-RC	120	LED	4	UNIVERSAL	(2) HEAD EMERGENCY EGRESS - WITH BATTERY BACK-UP		
ER	LSI LIGHTING	SRL-D-WH-WL	120	LED	2	UNIVERSAL	(2) HEAD EMERGENCY EGRESS		
EX	LSI LIGHTING	LPRX-UJ-WH-LD1-RL	120	LED	3	UNIVERSAL	(2) HEAD EGRESS EXIT SIGN - WITH BATTERY BACK-UP AND REMOTE CAPABILITY		
COMMON SPACE FIXTURES									
S1	LSI LIGHTING	WNA10-LED-SS-CW-U/E	120	LED	33	SURFACE	4' LED LINEAR WRAP		
S2	LEVITON	8829-CW2	120	LED	25	SURFACE	KEYLESS LAMPHOLDER		
S3	AFX	EGRF0811.3001WH	120	LED	15	SURFACE	8" DISC DOWNLIGHT WHITE FINISH		
W1	WAC LIGHTING	P185769	120	LED	24	WALL	5" LED ARCHITECTURAL CYLINDER DOWNLIGHT		
W2	HINKLEY	10231TK	120	LED	14	WALL	13" GOOSENECK EXTERIOR LIGHT - DARK SKY COMPLIANT		
W3	LITHONIA	WDGEZ LED - P3-40K-80CR-VH-MVOLT-SRM-DOBXD	120	LED	23	WALL	WALLPACK LIGHTING - DARK BRONZE - DARK SKY COMPLIANT		
W4	ILLUMINATE VINTAGE	ARTESIA	120	LED	7	WALL	(2) 6" WATT LED EQUIV LAMP - BATH VANITY		
UNIT PLAN FIXTURES									
UP1	LIVEX	41185-04	120	LED	30	PENDANT	MINI PENDANT		
US1	AFX	EGRF0608.3001WH	120	LED	12	SURFACE	5" DISC DOWNLIGHT - WHITE FINISH		
US2	MONTE CARLO	3VNR4R2WD-V1	120	LED	17	SURFACE	3 BLADE - VISION II - 42" CEILING FAN WITH LIGHT KIT - WHITE FINISH		
US3	LITHONIA	WL3-1B-EZ1P840	120	LED	18	SURFACE	MECHANICAL CLOSET SURFACE MOUNTED STRIP LIGHT		
US4	AFX	EGRF0608.3001BK	120	LED	12	SURFACE	5" DISC DOWNLIGHT - BLACK FINISH		
LU1	LITHONIA	UCLD-12W-30K-60CR-SWR-VH	120	LED	7	UNDERCABINET	12" UNDERCABINET LIGHT		
LU2	ILLUMINATE VINTAGE	ARTESIA	120	LED	12	WALL	(2) 6" WATT LED EQUIV LAMP - BATH VANITY		

ALL FIXTURES MAY NOT APPLY
 EC SHALL CONFIRM MOUNTING HEIGHTS AND COLOR FINISHES OF ALL FIXTURES WITH ARCHITECT PRIOR TO ROUGH-IN
 EC SHALL COORDINATE DIMENSIONED LOCATIONS OF ALL FIXTURES WITH ARCHITECT'S DRAWINGS PRIOR TO ROUGH-IN
 EC SHALL PROVIDE ALL NECESSARY HARDWARE / INSTALLATION TO MAINTAIN THE INTEGRITY OF FIRE RATED ASSEMBLIES IN WHICH FIXTURES ARE INSTALLED.
 EC SHALL PROVIDE ALL NECESSARY TRANSFORMERS / CABLING FOR ALL LOW-VOLTAGE FIXTURES.
 B.O.F. = BOTTOM OF FIXTURE

ALL LIGHTING CIRCUITRY			
CIRCUIT TAG	DESCRIPTION OF CIRCUIT	CONTROLLED VIA	VOLTAGE
PH1-1	LIGHTING	OCCUPANCY SENSORS	120
PH1-3	STAIRS LIGHTING	NIGHT LIGHTING	120
PH1-5	STAIRS LIGHTING	NIGHT LIGHTING	120
PH1-7	ATTIC OPN RMLTG	MANUAL SWITCHING	120
PH1-9	ATTIC OPN RMLTG	MANUAL SWITCHING	120
PH1-11	EXTERIOR LIGHTING	TIME-CLOCK / PHOTOCELL	120
PC1-1	LIGHTING	OCCUPANCY SENSORS	120

PANEL - 1BRHC										UNIT #13	
LOAD SERVED	OKT #	OKT BKR	OKT BKR #	OKT #	LOAD SERVED	OKT #	OKT BKR	OKT BKR #	OKT #	LOAD SERVED	
REFRIGERATOR	1	15	40	2	RANGE						
SMALL APPLIANCE	3	20	4								
SMALL APPLIANCE	5	20	6								
HOOD	7	20	8		DRYER						
DISPOSAL / DISHWASHER	9	20	10		WATER HEATER						
LAUNDRY	11	20	12								
COMMON SPACE	13	15	25	14	OUTDOOR HVAC UNIT						
COMMON SPACE	15	20	16								
BEDROOM	17	15	18		INDOOR HVAC UNIT						
BATHROOM GFCI	19	20	20								
MICROWAVE	21	20	22		BLANK SPACE						
BLANK SPACE	23	24			BLANK SPACE						
BLANK SPACE	25	26			BLANK SPACE						
BLANK SPACE	27	28			BLANK SPACE						
BLANK SPACE	29	30			BLANK SPACE						
DEMAND LOAD - SEE UNIT LOAD CALCULATION											
FEEDER SIZE - SEE RISER DIAGRAM											

PANEL - 2BR										UNITS #8,9 & 12	
LOAD SERVED	OKT #	OKT BKR	OKT BKR #	OKT #	LOAD SERVED	OKT #	OKT BKR	OKT BKR #	OKT #	LOAD SERVED	
REFRIGERATOR	1	15	40	2	RANGE						
SMALL APPLIANCE	3	20	4								
SMALL APPLIANCE	5	20	6		WATER HEATER						
MICROWAVE / HOOD	7	20	8								
DISPOSAL / DISHWASHER	9	20	10		INDOOR HVAC UNIT						
BEDROOM	11	15	12								
COMMON SPACE	13	15	25	14	OUTDOOR HVAC UNIT						
COMMON SPACE	15	15	16								
BEDROOM	17	15	18		BLANK SPACE						
BATHROOM GFCI	19	20	20		BLANK SPACE						
BLANK SPACE	21	22			BLANK SPACE						
BLANK SPACE	23	24			BLANK SPACE						
BLANK SPACE	25	26			BLANK SPACE						
BLANK SPACE	27	28			BLANK SPACE						
BLANK SPACE	29	30			BLANK SPACE						
DEMAND LOAD - SEE UNIT LOAD CALCULATION											
FEEDER SIZE - SEE RISER DIAGRAM											

PANEL - 2BRA										UNITS #1 & 5	
LOAD SERVED	OKT #	OKT BKR	OKT BKR #	OKT #	LOAD SERVED	OKT #	OKT BKR	OKT BKR #	OKT #	LOAD SERVED	
REFRIGERATOR	1	15	40	2	RANGE						
SMALL APPLIANCE	3	20									



COMcheck Software Version 4.1.5.5
Exterior Lighting Compliance Certificate

Project Information
 Energy Code: 2012 IECC
 Project Title: RUSS ALLEY
 Project Type: Alteration
 Exterior Lighting Zone: 2 (Residential mixed use area (LZ2))

Construction Site: 1625 Vine St., Cincinnati, OH 45202
 Owner/Agent:
 Designer/Contractor: PE Services, LLC, 9 North Broadway Street, Lebanon, OH 45036, 513-836-3810

A Area/Surface Category	B Quantity	C Allowed Watts / Unit	D Tradable Wattage	E Allowed Watts (B X C)
Illuminated length of facade wall or surface	294 ft	2.5	No	735
Total Tradable Watts (a) =				0
Total Allowed Watts =				735
Total Allowed Supplemental Watts (b) =				600

(a) Wattage tradeoffs are only allowed between tradable areas/surfaces.
 (b) A supplemental allowance equal to 600 watts may be applied toward compliance of both non-tradable and tradable areas/surfaces.

Proposed Exterior Lighting Power

A Fixture ID : Description / Lamp / Wattage Per Lamp / Ballast	B Lamps/ Fixture	C # of Fixtures	D Fixture Watt.	E (C X D)
Illuminated length of facade wall or surface (294 ft). Non-tradable Wattage				
LED W1: Other:	1	4	24	96
LED W2: Other:	1	6	14	84
Total Tradable Proposed Watts =				0

Exterior Lighting PASSES

Exterior Lighting Compliance Statement

Compliance Statement: The proposed exterior lighting alteration project represented in this document is consistent with the building plans, specifications, and other calculations submitted with this permit application. The proposed exterior lighting systems have been designed to meet the 2012 IECC requirements in COMcheck Version 4.1.5.5 and to comply with any applicable mandatory requirements listed in the Inspection Checklist.

Alex Wheeler - Electrical Designer
 Name - Title Signature *Alex Wheeler* Date 05/16/2023

Project Title: RUSS ALLEY Report date: 05/16/23
 Data filename: Z:\City Studios Architecture\1625-1633 Vine Street Apartments, Cincinnati, OH - 22192\MEP\COMcheck\1625 Electrical COMcheck.cck Page 3 of 8



COMcheck Software Version 4.1.5.5
Interior Lighting Compliance Certificate

Project Information
 Energy Code: 2012 IECC
 Project Title: RUSS ALLEY
 Project Type: Alteration

Construction Site: 1625 Vine St., Cincinnati, OH 45202
 Owner/Agent:
 Designer/Contractor: PE Services, LLC, 9 North Broadway Street, Lebanon, OH 45036, 513-836-3810

Allowed Interior Lighting Power

A Area Category	B Floor Area (ft2)	C Allowed Watts / ft2	D Allowed Watts (B X C)
2-Common Space Types:Stairway	1398	0.70	979
1-Future Restaurant (Retail/Sales area)	2500	1.60	4000
3-Attic Storage Area (Common Space Types:Storage)	2289	0.80	1831
4-Basement (Common Space Types:Storage)	5201	0.80	4161
Total Allowed Watts =			10971

Proposed Interior Lighting Power

A Fixture ID : Description / Lamp / Wattage Per Lamp / Ballast	B Lamps/ Fixture	C # of Fixtures	D Fixture Watt.	E (C X D)
Common Space Types:Stairway (1398 sq.ft.)				
LED: S3: Other:	1	16	15	240
Future Restaurant (. Retail/Sales area 2500 sq.ft.)				
LED: S1: LED Linear 33W:	1	10	33	330
LED: S3: Other:	1	9	15	135
Attic Storage Area (. Common Space Types:Storage 2289 sq.ft.)				
LED: S2: LED Other Fixture Unit 25W:	1	14	25	350
Basement (. Common Space Types:Storage 5201 sq.ft.)				
LED: S1: LED Linear 33W:	1	20	33	660
LED: S3: Other:	1	3	15	45
Total Proposed Watts =				1760

Interior Lighting PASSES

Interior Lighting Compliance Statement

Compliance Statement: The proposed interior lighting alteration project represented in this document is consistent with the building plans, specifications, and other calculations submitted with this permit application. The proposed interior lighting systems have been designed to meet the 2012 IECC requirements in COMcheck Version 4.1.5.5 and to comply with any applicable mandatory requirements listed in the Inspection Checklist.

Project Title: RUSS ALLEY Report date: 05/16/23
 Data filename: Z:\City Studios Architecture\1625-1633 Vine Street Apartments, Cincinnati, OH - 22192\MEP\COMcheck\1625 Electrical COMcheck.cck Page 1 of 8

Alex Wheeler - Electrical Designer
 Name - Title Signature *Alex Wheeler* Date 05/16/2023

Project Title: RUSS ALLEY Report date: 05/16/23
 Data filename: Z:\City Studios Architecture\1625-1633 Vine Street Apartments, Cincinnati, OH - 22192\MEP\COMcheck\1625 Electrical COMcheck.cck Page 2 of 8

CONTRACTOR NOTE
 IT IS THE RESPONSIBILITY OF THE CONTRACTOR TO NOTIFY THE ARCHITECT, LANDLORD AND TENANT OF ANY DISCREPANCIES ENCOUNTERED ON THE PLANS OR IN EXISTING SITE CONDITIONS PRIOR TO SUBMISSION OF BID.
 BIDDERS ARE TO VISIT THE SITE AND FAMILIARIZE THEMSELVES WITH EXISTING CONDITIONS AND SATISFY THEMSELVES AS TO THE NATURE AND SCOPE OF THE WORK. THE BASE BID SHALL REFLECT MODIFICATIONS TO SYSTEMS AND DEVICES AS REQUIRED BY STATE, LOCAL AND FEDERAL CODES WHETHER INDICATED OR NOT ON CONTRACT DOCUMENTS. THE SUBMISSIONS OF A BID WILL BE EVIDENCE THAT SUCH AN EXAMINATION AND COMPLIANCE WITH GOVERNING CODES/REQUIREMENTS HAS BEEN MADE. LATER CLAIMS FOR LABOR, EQUIPMENT, OR MATERIALS REQUIRED OR FOR DIFFICULTIES ENCOUNTERED WHICH COULD HAVE BEEN FORESEEN HAD AN EXAMINATION AND CODE/REQUIREMENTS REVIEW BEEN MADE, WILL NOT BE ALLOWED.

NOT FOR CONSTRUCTION

CITYSTUDIOS ARCHITECTURE
 1148 Main Street
 Cincinnati, OH 45202
 ph. 513.621.0750
 citystudiosarch.com

advantage
 STRUCTURAL ENGINEERS
 1527 Madison Road
 Cincinnati, OH 45206
 513.396.8900
 www.advantageSE.com

VIXO&VIXO
 Civil Engineers, Surveyors, and Landscape Architects
 1400 Riverchase Lane, Suite 100
 Cincinnati, OH 45240
 Phone: (513) 233-1204 • Fax: (513) 233-1204 • www.vixov.com

PE Services, LLC
 CONSULTING FOR THE BUILDING INDUSTRY
 9 North Broadway
 Lebanon, OH 45046
 513-836-3810

RUSS ALLEY
 1623 - 1625 VINE STREET, 1624 REPUBLIC STREET
 (1625 VINE HPTC APPLICATION)
 CINCINNATI, OH 45202

3CDC CINCINNATI CENTER CITY DEVELOPMENT CORPORATION

ISSUE LOG:
 04.02.2023
 ISSUE FOR PERMIT
 09.21.2023
 CHFA PRELIM. SUBMISSION

ELECTRICAL ENERGY CODE

E8.1

PLUMBING NOTATIONS			
140	140°F HOT WATER	HP	HORSE POWER
140R	140°F HOT WATER RETURN	HT	HEIGHT
AD	AREA DRAIN	INV	INVERT ELEVATION
AFF	ABOVE FINISH FLOOR	LAV	LAVATORY
AFG	ABOVE FINISHED GRADE	LF	LINEAR FOOT
BFP	BACKFLOW PREVENTER	MAX	MAXIMUM
BV	BALANCING VALVE	MC	MECHANICAL CONTRACTOR
BT	BATHTUB	MIN	MINIMUM
CO	CLEAN OUT	MS	MOP SINK
CS	CLINIC SINK	NTS	NOT TO SCALE
CWS	COMBINATION WATER SERVICE	OD	OVERFLOW DRAIN
DCW	DOMESTIC COLD WATER	PC	PLUMBING CONTRACTOR
DD	DECK DRAIN	RD	ROOF DRAIN
DDCV	DOUBLE DETECTOR CHECK VALVE	S	SINK
DF	DRINKING FOUNTAIN	SA	SHOCK ABSORBER
DHW	DOMESTIC HOT WATER	SAN	SANITARY
DHWR	DOMESTIC HOT WATER RETURN	SDL	SPRINKLER DRAIN LINE
DN	DOWN	SE	SEWAGE EJECTOR
DS	DOWNSPOUT	SF	SQUARE FOOT
DWH	DOMESTIC WATER HEATER	SH	SHOWER
EC	ELECTRICAL CONTRACTOR	SP	SUMP PUMP
ET	EXPANSION TANK	SS	SANITARY SEWER
EWC	ELECTRIC WATER COOLER	STM	STORM
EWH	ELECTRIC WATER HEATER	SUC	SITE UTILITY CONTRACTOR
FD	FLOOR DRAIN	SW	SOFT WATER
FD	FLOOR DRAIN	TD	TRENCH DRAIN
FDC	FIRE DEPARTMENT CONNECTION	TMV	THERMOSTATIC MIXING VALVE
FDV	FIRE DEPARTMENT VALVE	TP	TRAP PRIMER
FOG	FATS / OILS / GREASE	TS	TAMPER SWITCH
FR	FIRE RISER	TYP	TYPICAL
FS	FLOW SWITCH	UF	UTILITY FIXTURE
FSC	FIRE SUPPRESSION CONTRACTOR	UG	UNDERGROUND
G	GAS (NATURAL)	UNO	UNLESS NOTED OTHERWISE
GC	GENERAL CONTRACTOR	UR	URINAL
GCO	GRADE CLEANOUT	V	VENT
GPM	GALLONS PER MINUTE	VR	VENT RISER
GRD	GRADE	VTR	VENT THROUGH ROOF
HB	HOSE BIBB	WC	WATER CLOSET
HC	HVAC CONTRACTOR	WCO	WALL CLEANOUT
HCO	HORIZONTAL CLEANOUT	WH	WALL HYDRANT
HD	HUB DRAIN		

PLUMBING SYMBOL LEGEND			
NOTES: 1. ALL SYMBOLS MAY NOT APPLY.			
	CODED PLAN NOTE		DETAIL # SHEET #
	EQUIPMENT DESIGNATION		REFERENCE TAG
	BACKFLOW PREVENTER		BALANCING VALVE
	BALL VALVE		BUTTERFLY VALVE
	CAP OFF EXISTING		CHECK VALVE
	CLEANOUT PLUG		DOUBLE DETECTOR CHECK VALVE
	DRY-PIPE VALVE		FIRE ALARM VALVE
	FIRE DEPARTMENT CONNECTION		FIRE PROTECTION CONCEALED SPRINKLER
	FIRE PROTECTION PENDANT SPRINKLER		FIRE PROTECTION SPRINKLER WITH GUARD
	FIRE PROTECTION UPRIGHT SPRINKLER		FLOOR CLEANOUT
	FLOOR DRAIN		FLOW SWITCH
	GAS COCK		GATE VALVE
	MIXING VALVE		PIPING DOWN
	PIPING OUT BOTTOM		PIPING OUT TOP
	PIPING RISE OR DROP		PIPING UP
	PLUG VALVE		POINT OF CONNECTION
	PRE-ACTION VALVE		PRESSURE REDUCING VALVE
	RECIRCULATION PUMP		ROOF / OVERFLOW DRAIN
	SOLENOID VALVE		STRAINER
	SUPERVISED GATE VALVE		TEST PLUG
	THERMOMETER		UNION
	UTILITY METER - GAS / WATER		WALL HYDRANT / HOSE BIBB

PLUMBING LINETYPE LEGEND	
	DOMESTIC COLD WATER
	DOMESTIC COLD WATER UNDERGROUND
	DOMESTIC HOT WATER
	SANITARY
	SANITARY UNDERGROUND
	VENT
	GAS
	GAS UNDERGROUND

- GENERAL NOTES:
- THIS WORK SHALL BE EXECUTED IN STRICT CONFORMITY WITH THE LATEST EDITION OF THE PREVALING STATE PLUMBING AND BUILDING CODES AND ALL LOCAL REGULATIONS THAT MAY APPLY. IN CASE OF CONFLICT BETWEEN THE CONTRACT DOCUMENTS AND A GOVERNING CODE OR ORDINANCE, THE MORE STRINGENT STANDARD SHALL APPLY.
 - ALL PLUMBING FIXTURES SHALL BE SUPPLIED WITH INDIVIDUAL HEAVY DUTY SUPPLY STOPS AND CODE APPROVED P-TRAPS WITH CLEANOUTS. EXPOSED PIPING SHALL BE CHROME PLATED WITH CHROMED ESCUTCHEONS AT WALL PENETRATIONS.
 - NO PIPING SHALL PASS DIRECTLY OVER ELECTRICAL POWER DISTRIBUTION CABINETS. CONTRACTOR SHALL COORDINATE PANEL LOCATIONS, PRIOR TO PIPING INSTALLATION.
 - ALL FLOOR DRAIN AND HUB DRAIN TRAPS SHALL BE PROVIDED WITH TRAP PRIMERS OR TRAP GUARDS, PER LOCAL CODES.
 - ALL HORIZONTAL VENT PIPING MAY NOT BE SHOWN ON THIS PLAN FOR THE SAKE OF CLARITY. REFER TO SANITARY ISOMETRIC FOR VENT PIPE ROUTING AND PROVIDE COMPLETE VENTING SYSTEM IN ACCORDANCE WITH CODE.
 - ALL PLUMBING WORK SHALL BE COORDINATED WITH ALL OTHER TRADES, PRIOR TO CONSTRUCTION.
 - ALL DOMESTIC WATER BRANCH LINES SHALL HAVE FULL PORT, TWO PIECE BALL TYPE, ISOLATION VALVES.
 - PROVIDE WATER HAMMER ARRESTORS (WHA) AS REQUIRED, WITH QUICK CLOSING VALVES AND ON SYSTEMS WITH HIGHER THAN NORMAL PRESSURE, WHERE WATER HAMMER MAY BE AN ISSUE.
 - INSTALL ALL FLOOR CLEANOUTS TO CLEAR EQUIPMENT AND PROVIDE REQUIRED ACCESSIBILITY FOR MAINTENANCE.
 - VERIFY INVERT ELEVATIONS AND EXACT LOCATIONS OF ALL UNDERGROUND UTILITIES, PRIOR TO INSTALLING ANY UNDERGROUND PIPING. COORDINATE WITH SITE UTILITY CONTRACTOR.
 - PLUMBING CONTRACTOR TO REFERENCE ENTERPRISE GREEN COMMUNITIES CRITERIA CHECKLIST AND SUSTAINABLE DESIGN REQUIREMENTS. COORDINATE WITH GC AND ARCHITECT FOR MORE INFORMATION.

PLUMBING SHEET INDEX	
SHEET NO.	SHEET DESCRIPTION
P0.0	PLUMBING COVER SHEET
P0.1	PLUMBING SPECIFICATIONS
P1.0	BASEMENT SANITARY PLAN
P1.1	FIRST FLOOR SANITARY PLAN
P1.2	SECOND FLOOR SANITARY PLAN
P1.3	THIRD FLOOR SANITARY PLAN
P1.4	ATTIC SANITARY PLAN
P1.5	FIFTH FLOOR SANITARY PLAN
P2.0	BASEMENT WATER & GAS PLAN
P2.1	FIRST FLOOR WATER PLAN
P2.2	SECOND FLOOR WATER PLAN
P2.3	THIRD FLOOR WATER PLAN
P2.4	FOURTH FLOOR WATER PLAN
P2.5	ATTIC WATER PLAN
P2.6	ROOF WATER PLAN
P5.0	PLUMBING DETAILS
P6.0	PLUMBING SCHEDULES
P7.0	SANITARY ISOMETRIC
P7.1	SANITARY ISOMETRIC

**** NOTE ****

THE PLUMBING CONTRACTOR IS RESPONSIBLE FOR INSTALLING PIPING ASSOCIATED WITH THE RADON MITIGATION SYSTEM. THE RADON MITIGATION DESIGN IS BY OTHERS. COORDINATE REQUIREMENTS WITH GENERAL CONTRACTOR AND ARCHITECT.

CONTRACTOR NOTE

IT IS THE RESPONSIBILITY OF THE CONTRACTOR TO NOTIFY THE ARCHITECT, LANDLORD AND TENANT OF ANY DISCREPANCIES ENCOUNTERED ON THE PLANS OR IN EXISTING SITE CONDITIONS PRIOR TO SUBMISSION OF BID.

BIDDERS ARE TO VISIT THE SITE AND FAMILIARIZE THEMSELVES WITH EXISTING CONDITIONS AND SATISFY THEMSELVES AS TO THE NATURE AND SCOPE OF THE WORK. THE BASE BID SHALL REFLECT MODIFICATIONS TO SYSTEMS AND DEVICES AS REQUIRED BY STATE, LOCAL AND FEDERAL CODES WHETHER INDICATED OR NOT ON CONTRACT DOCUMENTS. THE SUBMISSIONS OF A BID WILL BE EVIDENCE THAT SUCH AN EXAMINATION AND COMPLIANCE WITH GOVERNING CODES/REQUIREMENTS HAS BEEN MADE. LATER CLAIMS FOR LABOR, EQUIPMENT, OR MATERIALS REQUIRED OR FOR DIFFICULTIES ENCOUNTERED WHICH COULD HAVE BEEN FORESEEN HAD AN EXAMINATION AND CODE/REQUIREMENTS REVIEW BEEN MADE, WILL NOT BE ALLOWED.

NOT FOR CONSTRUCTION

CITYSTUDIOS ARCHITECTURE
1148 Main Street
Cincinnati, OH 45202
ph: 513.621.0750
citystudiosarch.com

advantage
STRUCTURAL ENGINEERS
1527 Madison Road
Cincinnati, OH 45206
513.396.8900
www.advantageSE.com

VIOX & VIOX
Civil Engineers, Surveyors, and Landscape Architects
16300 Blue Ash Road
Blue Ash, OH 45215
Ph: 513.233.1200 • Fax: 513.233.1208 • www.viox.com

PE ENGINEERS
CONSULTING FOR THE MIDDLE WEST
14950 Blue Ash Road
Blue Ash, OH 45215
www.pe-engineers.com
9 North Broadway
Lebanon, OH 45046
513-836-3810

RUSS ALLEY
1623 - 1625 VINE STREET, 1624 REPUBLIC STREET
(1625 VINE HPTC APPLICATION)
CINCINNATI, OH 45202

3CDC CINCINNATI CENTER CITY DEVELOPMENT CORPORATION

ISSUE LOG:
04.02.2023
ISSUE FOR PERMIT
09.21.2023
CHFA PRELIM. SUBMISSION

PLUMBING COVER SHEET

P0.0

PLUMBING SPECIFICATIONS

GENERAL REQUIREMENTS

REFER TO ARCHITECTURAL DRAWINGS, GENERAL NOTES, INSTRUCTIONS TO BIDDERS, GENERAL CONDITIONS, SUPPLEMENTARY GENERAL CONDITIONS, BASE BUILDING SPECIFICATIONS AND DRAWINGS, SHOP DRAWING MANUALS AND AS-BUILT PLANS, EXCEPT AS NOTED HEREIN, WHICH APPLY IN ALL RESPECTS TO THIS SECTION. THE CONTRACTOR SHALL VISIT THE SITE AND FAMILIARIZE HIMSELF/HERSELF WITH ALL EXISTING CONDITIONS, PRIOR TO BIDDING THE WORK.

THE INTENT OF THE SPECIFICATIONS AND DRAWINGS IS TO PROVIDE A COMPLETE AND FULLY OPERATIONAL PLUMBING SYSTEM. THE PLUMBING CONTRACTOR SHALL FURNISH AND INSTALL ALL LABOR, MATERIAL AND EQUIPMENT NECESSARY TO COMPLETE THE PLUMBING WORK.

THE PLUMBING CONTRACTOR SHALL THOROUGHLY EXAMINE ALL AREAS OF WORK WHERE EQUIPMENT, DUCTWORK, ELECTRICAL PANELS AND PIPING WILL BE INSTALLED AND SHALL REPORT ANY CONDITION THAT PREVENTS THE PROPER INSTALLATION OF THE PLUMBING WORK, PRIOR TO BID. HE/SHE SHALL ALSO EXAMINE THE DRAWINGS AND SPECIFICATIONS OF OTHER BRANCHES OF WORK, MAKING REFERENCE TO THEM FOR DETAILS OF NEW OR EXISTING BUILDING CONDITIONS. NO EXTRAS WILL BE ALLOWED TO BE INCLUDED FOR ALL REQUIRED WORK IN BID. ALL WORK SHALL BE DONE AT TIMES CONVENIENT TO THE OWNER AND ONLY DURING NORMAL WORKING HOURS, UNLESS SPECIFIED OTHERWISE. PLUMBING CONTRACTOR SHALL TAKE HIS/HER OWN MEASUREMENTS AND BE RESPONSIBLE FOR THEM. CONTRACTOR SHALL ARRANGE FOR HIS/HER OWN PARKING AND TELEPHONE.

EQUIPMENT AND MATERIALS SHALL CONFORM WITH APPROPRIATE PROVISIONS OF OHFA FORM 001 - CONTRACTOR / ARCHITECT CERTIFICATION, GREEN COMMUNITIES CRITERIA 2018, AGA, ARI, ASME, ASTM, CISPI, UL, NEMA, ANSI, SMACNA, ASHRAE, NFPA, NEC, AS APPLICABLE TO EACH INDIVIDUAL UNIT OR ASSEMBLY. ALL EQUIPMENT MUST BEAR UL LABEL.

ALL WORK SHALL BE PERFORMED IN STRICT ACCORDANCE WITH ALL APPLICABLE STATE AND LOCAL CODES AND ORDINANCES. IN CASE OF CONFLICT BETWEEN THE DRAWINGS/SPECIFICATIONS AND THE CODES AND ORDINANCES, THE HIGHEST STANDARD SHALL APPLY. THE PLUMBING CONTRACTOR SHALL SATISFY CODE REQUIREMENTS AS A MINIMUM STANDARD WITHOUT ANY EXTRA COST TO THE OWNER.

PERMITS AND FEES

THE PLUMBING CONTRACTOR SHALL PROCURE AND PAY FOR ALL PERMITS, FEES, TAXES AND INSPECTIONS NECESSARY TO COMPLETE THE PLUMBING WORK. FURNISH CERTIFICATE OF APPROVAL FOR WORK FROM INSPECTION AUTHORITY. TO OWNER BEFORE FINAL ACCEPTANCE FOR WORK. CERTIFICATE OF FINAL INSPECTION AND APPROVAL SHALL BE SUBMITTED WITH THE CONTRACTOR'S REQUEST FOR PAYMENT. NO FINAL PAYMENT WILL BE APPROVED WITHOUT THIS CERTIFICATE.

CONTRACT DRAWINGS

THE CONTRACT DRAWINGS ARE INTENDED TO BE DIAGRAMMATIC ONLY. INTENDING TO SHOW GENERAL RUNS AND LOCATIONS OF EQUIPMENT, FIXTURES, DUCTS AND PIPING. THE DRAWINGS DO NOT NECESSARILY SHOWING ALL OFFSETS, DETAILS, ACCESSORIES AND EQUIPMENT TO BE CONNECTED, AS MAY BE REQUIRED DURING CONSTRUCTION.

COORDINATION OF WORK & COORDINATION DRAWINGS

ALL WORK SHALL BE ACCURATELY LAID-OUT WITH OTHER TRADES, PRIOR TO INSTALLATION & FABRICATION, TO AVOID ALL CONFLICTS AND OBTAIN A NEAT AND WORKMANLIKE INSTALLATION, WHICH WILL AFFORD MAXIMUM ACCESSIBILITY FOR EQUIPMENT OPERATION, MAINTENANCE CLEARANCES AND HEADROOM. PLUMBING CONTRACTOR SHALL PROVIDE 1/4 SCALE COORDINATION SHOP DRAWINGS FOR FIXTURES, EQUIPMENT, PIPING, VALVES, ETC.

SUBMIT (4) COPIES OF COMPLETE & CERTIFIED SHOP DRAWINGS, DESCRIPTIVE DATA, PERFORMANCE DATA AND RATINGS, DIAGRAMS AND SPECIFICATIONS ON ALL SPECIFIED EQUIPMENT, INCLUDING ACCESSORIES, AND MATERIALS FOR REVIEW, TO THE ENGINEER. THE MAKE, MODEL NUMBER, TYPE, FINISH AND ACCESSORIES OF ALL EQUIPMENT AND MATERIALS SHALL BE REVIEWED AND APPROVED BY THE PLUMBING CONTRACTOR AND GENERAL CONTRACTOR, PRIOR TO SUBMITTING TO THE ENGINEER FOR THEIR REVIEW AND APPROVAL. APPROVAL OF SHOP DRAWINGS DOES NOT RELIEVE THE PLUMBING CONTRACTOR AND VENDOR FROM COMPLIANCE WITH THE REQUIREMENTS OF THE CONTRACT DRAWINGS, SPECIFICATIONS AND APPLICABLE CODES.

AS-BUILT DRAWINGS

THE PLUMBING CONTRACTOR SHALL KEEP AT LEAST ONE SET OF COLORED PENCIL CORRECTED SHOP AND DESIGN DRAWINGS AT THE SITE. DRAWINGS SHALL BE CURRENT, DENOTING APPROVED MODIFICATIONS AND ACTUAL INSTALLED DEPARTURE. SUBMIT ONE SET OF AUTOCAD AS-BUILT DRAWINGS TO THE OWNER, PRIOR TO PROJECT CLOSE OUT AND BEFORE FINAL PAYMENT.

ACCESS PANELS

FURNISH & INSTALL ALL CEILING AND WALL ACCESS PANELS TO ACCESS CONCEALED PLUMBING EQUIPMENT, VALVES, ETC., PRIOR TO BIDDING. THERE SHALL BE NO EXTRAS FOR HAVING TO ADD ACCESS PANELS, AFTER BIDS ARE AWARDED.

CUTTING AND PATCHING

NEATLY CONDUCT ALL FLOOR CUTTING AND PATCH ALL CUT SURFACES, AS REQUIRED, TO MATCH BUILDING CONSTRUCTION. HOWEVER, THE CONTRACTOR SHALL EMPLOY AND PAY A TRADE TRAINED AND QUALIFIED PERSON TO PERFORM THE REQUIRED PATCHING WORK. ALL SURFACES DISTURBED SHALL BE RESTORED WITH SIMILAR MATERIALS, TO THE SATISFACTION OF THE ENGINEER. ALL PENETRATIONS THROUGH ROOF SHALL BE MADE BY BONDED ROOFER. PLUMBING CONTRACTOR SHALL PAY ALL FEES.

EXCAVATION, TRENCHING AND BACKFILL

CONDUCT ALL EXCAVATION, TRENCHING AND BACKFILL, REQUIRED FOR THE INSTALLATION OR SETTING OF PLUMBING WORK. ALL BACKFILL SHALL BE COMPACTED & BROUGHT TO FINISHED GRADE AND SHALL MATCH SURROUNDING CONDITIONS. RESTORE ALL DISTURBED FLOORING TO ITS ORIGINAL CONDITION.

RIGGING

CONDUCT ALL RIGGING, AS REQUIRED.

SCAFFOLDING

FURNISH AND INSTALL ALL NECESSARY SCAFFOLDING OR STAGING, AS REQUIRED FOR COMPLETION OF WORK.

FLASHING AND COUNTER-FLASHING

ROOF FLASHING SHALL BE FURNISHED AND INSTALLED BY THE ROOFING CONTRACTOR. ROOF COUNTER-FLASHING SHALL BE FURNISHED AND INSTALLED BY THE PLUMBING CONTRACTOR. COORDINATE WORK WITH ROOFING CONTRACTOR AND PAY ALL FEES.

WARRANTY

THE PLUMBING CONTRACTOR SHALL UNCONDITIONALLY WARRANT ALL WORK TO BE FREE OF DEFECTS IN EQUIPMENT, MATERIAL AND WORKMANSHIP, FOR A PERIOD OF ONE (1) YEAR FROM THE DATE OF FINAL ACCEPTANCE BY THE ENGINEER. THE PLUMBING CONTRACTOR WILL REPAIR OR REPLACE ANY DEFECTIVE WORK, PROMPTLY AND WITHOUT CHARGE TO THE OWNER. CONTRACTOR SHALL RESTORE ANY OTHER EXISTING WORK DAMAGED IN THE COURSE OF REPAIRING DEFECTIVE EQUIPMENT, MATERIALS AND WORKMANSHIP.

OWNERS INSTRUCTIONS

INSTRUCT THE OWNERS' PERSONNEL IN THE OPERATION OF THE PLUMBING SYSTEMS. WORK SHALL BE CONSIDERED ACCEPTABLE BY THE ENGINEER FOR REGULAR INTENDED USE. PROVIDE TWO SETS OF COMPLETE OPERATING AND MAINTENANCE PROCEDURES WITH DRAWINGS, TYPEWRITTEN INSTRUCTIONS AND OPERATING SEQUENCES AND DESCRIPTIVE DATA SHEETS. ASSEMBLE EACH SET IN A HARD BOUND COVER.

FINALE

PUT ALL EQUIPMENT AND FIXTURES IN SERVICE AND DEMONSTRATE THAT ALL CONDITIONS OF THE CONTRACT HAVE BEEN FULFILLED. REMOVE ALL TOOLS, DEBRIS, ETC. OCCASIONED BY WORK, UNDER THIS CONTRACT. SUBMIT ALL WARRANTIES, BALANCING REPORTS, TEST REPORTS, OPERATING AND MAINTENANCE PROCEDURES, LOG SHEETS AND CHARTS, AND GUARANTEES AS PREVIOUSLY SPECIFIED. PROVIDE ALL REPORTS, FORMS, ETC., REQUIRED BY INSPECTORS, TO THE SATISFACTION OF THE OWNER.

PLUMBING WORK

THE PLUMBING CONTRACTOR SHALL PROVIDE NEW PLUMBING FIXTURES, EQUIPMENT, PIPING AND VALVES, AS INDICATED ON DRAWINGS AND AS SPECIFIED. FIXTURES SHALL BE SECURELY FASTENED, TO PREVENT ANY MOVEMENT OF FIXTURE DURING NORMAL USE. SEAL TO WALL, FLOOR OR COUNTERTOP WITH SILICONE ACRYLIC-LATEX CAULK. STARTUP AND 1ST YEAR PARTS AND LABOR WARRANTY SHALL BE INCLUDED, AS WELL AS MANUFACTURER'S EXTENDED WARRANTIES.

SHOP DRAWINGS

SHOP DRAWINGS SHALL BE REQUIRED ON THE FOLLOWING:

1. PIPING - SUBMIT COORDINATED PIPING DRAWINGS TO THE ENGINEER, PRIOR TO FABRICATION, INDICATING SIZES, LOCATIONS, OFFSETS AND ELEVATIONS. FULLY COORDINATE WITH ALL PROJECT DISCIPLINES.
2. PLUMBING FIXTURES AND EQUIPMENT - REFER TO DRAWING SCHEDULES FOR MANUFACTURERS AND MODEL NUMBERS.
3. PLUMBING PIPING, VALVES AND ACCESSORIES.

SANITARY WASTE AND VENT PIPING

GENERAL - PROVIDE PIPING AND FITTINGS IN ACCORDANCE WITH THE FOLLOWING LISTING:

1. BELOW GRADE PIPING:

- a. SCHEDULE 40 POLYVINYL CHLORIDE (PVC), SOLID WALL PIPE CONFORMING TO ASTM D2685 OR ASTM D2949. FITTINGS SHALL BE PVC, SOLVENT CEMENT TYPE CONFORMING TO ASTM D2665. ASTM D3311 OR ASTM F1866.

2. ABOVE GRADE PIPING:

- a. SCHEDULE 40 POLYVINYL CHLORIDE (PVC), SOLID WALL PIPE CONFORMING TO ASTM D2685 OR ASTM D2949. FITTINGS SHALL PVC, SOLVENT CEMENT TYPE CONFORMING TO ASTM D2665, ASTM D3311 OR ASTM F1866.
- b. SERVICE WEIGHT CAST IRON PIPE CONFORMING TO ASTM A74, ASTM A888 OR CISPI 301. PIPING SHALL BE MARKED WITH THE COLLECTIVE TRADEMARK OF THE CAST IRON PIPE INSTITUTE AND BE LISTED BY NSF INTERNATIONAL. FITTINGS SHALL BE CAST IRON CONFORMING TO ASME B16.4, ASME B16.12, ASTM A74, ASTM A888 OR CISPI 301 (AND BE LISTED BY NSF INTERNATIONAL). SCHEDULE 40 PVC PIPE IS NOT PERMITTED IN RETURN AIR PLENUMS. HORIZONTAL PIPING SMALLER THAN 3", SHALL DRAIN AT A SLOPE OF 1/4" PER FOOT. HORIZONTAL PIPING 3" AND LARGER, SHALL DRAIN AT A SLOPE OF 1/8" PER FOOT. COORDINATE WITH LOCAL AUTHORITIES FOR DRAINAGE REQUIREMENTS FOR EQUIPMENT DESIGNATED WITH INDIRECT WASTE TO FLOOR/HUB DRAINS.
3. PUMPED DISCHARGE PIPING (WHERE APPLICABLE):
 - a. SCHEDULE 40 CAST IRON PIPE CONFORMING TO ASTM A74 OR ASTM A888. FLANGED FITTINGS SHALL BE CAST IRON CONFORMING TO ASTM A126, ANSI / AWWA C110 / A21.10 OR ASME B16.1.
 - b. SCHEDULE 80 POLYVINYL CHLORIDE (PVC) PIPE AND FLANGED FITTINGS CONFORMING TO ASTM D1784. FLANGES SHALL BE 150 PSI, PER ANSI / ASME B16.5.

VENT PIPE THROUGH ROOF

FURNISH & INSTALL VENT PIPE THRU ROOF PER CODE & ROOFING CONTRACTOR'S REQUIREMENTS TO MAINTAIN ROOF WARRANTY. COORDINATE WORK WITH ROOFING CONTRACTOR PRIOR TO BEGINNING ANY ROOF WORK. PLUMBING CONTRACTOR SHALL PAY ALL FEES.

DOMESTIC WATER PIPING

GENERAL - PROVIDE PIPING AND FITTINGS IN ACCORDANCE WITH THE FOLLOWING LISTING:

1. WATER SERVICE PIPING:

- a. SCHEDULE 80 CHLORINATED POLYVINYL CHLORIDE (CPVC) PIPE CONFORMING TO ASTM F441. FITTINGS SHALL BE CPVC, SOLVENT CEMENT TYPE CONFORMING TO ASTM F439.
- b. DUCTILE IRON WATER PIPE, CLASS 53 (OR AS REQUIRED BY THE AHJ), AND RESTRAINED-JOINT FITTINGS CONFORMING TO AWWA C151 OR AWWA C115.

2. WATER DISTRIBUTION PIPING:

- a. COPPER OR COPPER-ALLOY PIPE OR TUBING, TYPE "L", CONFORMING TO ASTM B75, ASTM B88, ASTM B251 OR ASTM B447. FITTINGS SHALL BE COPPER OR COPPER-ALLOY CONFORMING TO ASME B16.15, ASME B16.18, ASME B16.22, ASME B16.23, ASME B16.26 OR ASME B16.29.
- b. CHLORINATED POLYVINYL CHLORIDE (CPVC) PLASTIC PIPE OR TUBING, CONFORMING TO ASTM D2486, ASTM F441 OR ASTM F442. FITTINGS SHALL BE CPVC CONFORMING TO ASTM F437, ASTM F438 OR ASTM F439.
- c. COPPER AND COPPER-ALLOY PRESS FITTINGS SHALL CONFORM TO MATERIAL REQUIREMENTS OF ASME B16.18 OR ASME B16.22 AND PERFORMANCE CRITERIA OF IAPMO PS 117. SEALING ELEMENTS FOR PRESS FITTINGS SHALL BE EPDM. PRESS END SHALL HAVE SMART CONNECT FEATURE DESIGN IN 1/2" TO 4" PIPE SIZES.
- d. MANUFACTURERS: VIEGA, PROGRESS, OR APPROVED EQUAL.

ESOUTCHEON PLATES

INSTALL ONE PIECE CHROME PLATED BRASS WALL PLATE EQUIPPED WITH SET SCREW AROUND ALL EXPOSED PIPE PASSING THROUGH WALLS.

NATURAL GAS PIPING

REFER TO PLANS FOR NATURAL GAS PIPING LAYOUT AND MATERIALS SPECIFICATIONS.

NATURAL GAS PIPE MATERIAL: STEEL PIPE, ASTM A53/A53M, BLACK STEEL, SCHEDULE 40.

NATURAL GAS PIPE FITTINGS:MALLEABLE IRON, THREADED FITTINGS, 2" AND SMALLER. ASTM B16.3, CLASS 150, STANDARD PATTERN.

NATURAL GAS PIPE HANGERS: SHALL CONFORM TO REQUIREMENTS OF MSS SP-58 AND SHALL BE SPACED IN ACCORDANCE WITH IFGC SECTION 415.

NATURAL GAS PIPING SHALL BE PAINTED WITH EPOXY YELLOW PAINT, WHERE EXPOSED TO THE THE ELEMENTS, OUTDOORS.

CONNECTIONS

INSTALL UNIONS ADJACENT TO EACH VALVE AND AT FINAL CONNECTION TO EACH PIECE OF EQUIPMENT. INSTALL DIELECTRIC COUPLINGS TO CONNECT PIPING MATERIALS OF DISSIMILAR METALS. PROVIDE THREADED STEEL PIPING UP TO AND INCLUDING 1-1/2".

HANGERS & SUPPORTS

THE PLUMBING CONTRACTOR SHALL FURNISH ALL PIPE SUPPORTS REQUIRED FOR HIS/HER EQUIPMENT AND MATERIAL. ALL HORIZONTAL RUNS OF PIPING SHALL BE SUPPORTED BY PIPE HANGERS SPACED NOT MORE THAN 10 FEET O.C. FOR PIPES 1-1/4" AND LARGER, AND 8 FEET O.C. FOR PIPES SMALLER THAN 1-1/4" AND AT EACH JOINT FOR SOIL OR WASTE PIPE. ADDITIONAL SUPPORTS SHALL BE PROVIDED WHERE REQUIRED TO PREVENT SAGGING OR AS REQUIRED BY MANUFACTURER'S SPECIFICATION AND CODE REQUIREMENTS. HANGERS AND PIPE ATTACHMENTS TO BE FACTORY FABRICATED WITH GALVANIZED COATINGS.

CLEANOUTS

PROVIDE ZURN OR EQUIVALENT FLOOR AND WALL CLEAN OUTS, AS INDICATED ON THE DRAWINGS OR WHERE REQUIRED IN ALL DRAIN LINES. IN AREAS WITH CERAMIC TILE OR CARPETED FLOORING, PROVIDE CLEAN OUTS WITH SQUARE, ADJUSTABLE, NICKEL BRONZE TOPS. IN AREAS WITH RESILIENT FLOORING, PROVIDE CLEAN OUTS WITH SQUARE, ADJUSTABLE, NICKEL BRONZE TOPS WITH TILE RECESS. CLEAN OUTS SHALL BE SAME SIZE AS PIPE, EXCEPT CLEAN OUTS LARGER THAN 4" WILL NOT BE REQUIRED. WHERE CLEAN OUTS OCCUR IN WALLS OF FINISHED AREAS, THEY SHALL BE CONCEALED BEHIND CHROME PLATED ACCESS COVERS.

INSTALLATION

INSTALL PIPING FREE OF SAGS AND BENDS. INSTALL FITTINGS FOR CHANGES IN DIRECTION AND BRANCH CONNECTIONS. INSTALL SLEEVES FOR PIPES PASSING THROUGH CONCRETE AND MASONRY WALLS. GYPSUM-BOARD PARTITIONS, CONCRETE FLOOR AND ROOF SLABS, CAULK AND SEAL PIPE PENETRATIONS, THROUGH RATED CONSTRUCTION, WITH FIRE STOPPING SEALANT MATERIAL. UNDERGROUND WATER AND SEWER LINES SHALL BE LAID IN SEPARATE TRENCHES WITH A MINIMUM HORIZONTAL SPACING, AS REQUIRED BY CODE. EXCAVATED TO THE PROPER DEPTH AND GRADED TO PRODUCE THE REQUIRED FALL.

TESTING

DOMESTIC WATER, DRAIN, WASTE & VENT PIPING SHALL BE TESTED & APPROVED BY INSPECTOR PRIOR TO BEING BACKFILLED, CONCEALED & PUT INTO SERVICE. AFTER TESTING IS COMPLETE & APPROVED, THE PLUMBING CONTRACTOR SHALL DISINFECT THE POTABLE WATER SYSTEM AS REQUIRED BY LOCAL AUTHORITY. TEST WATER PURITY ACCORDING TO LOCAL REQUIREMENTS AND SUBMIT CERTIFIED TEST RESULTS TO ENGINEER FOR REVIEW AND APPROVAL.

VALVES - GENERAL

PLUMBING CONTRACTOR SHALL PROVIDE VALVES WHERE INDICATED ON PLANS AND AS NECESSARY FOR PROPER SYSTEM OPERATION AND COMPONENT ISOLATION. INSTALL VALVES FOR EACH FIXTURE AND ITEM OF EQUIPMENT. PROVIDE BRAIDED STAINLESS STEEL HOSE (UNLESS OTHERWISE NOTED) BETWEEN VALVE AND EQUIPMENT/FIXTURE. IN ACCORDANCE WITH MANUFACTURER'S SPECIFICATIONS. LOCATE SHUT-OFF VALVES ADJACENT TO EQUIPMENT FOR EASY ACCESS, SUCH THAT VALVES CAN BE REACHED WITHOUT MOVING EQUIPMENT.

VALVES

PROVIDE VALVES FOR WORKING PRESSURE IN WATER PIPING OF 125 PSI OR GREATER, UNLESS NOTED OTHERWISE, VALVES SHALL BE AS FOLLOWS:

VALVE TYPE	MANUFACTURER
BALL VALVE	APOLLO, NIBCO OR EQUIVALENT
BUTTERFLY VALVE	APOLLO, NIBCO OR EQUIVALENT
CHECK VALVE	APOLLO, NIBCO OR EQUIVALENT
GLOBE VALVE	APOLLO, NIBCO OR EQUIVALENT
GATE VALVE	APOLLO, NIBCO OR EQUIVALENT
TEMP. & PRESSURE RELIEF	WATTS OR EQUIVALENT
BACKFLOW PREVENTOR	WATTS OR EQUIVALENT
VACUUM RELIEF VALVE	WATTS OR EQUIVALENT
PRESSURE REDUCING VALVE	WATTS OR EQUIVALENT
TRAP SEAL PRIMER	J.R. SMITH OR EQUIVALENT
THERMOSTATIC MIXING VALV/WATTS, POWERS, LAWLER, OR EQUIVALENT	

WATER PIPING INSULATION

PROVIDE THERMAL INSULATION ON ALL COLD & HOT WATER PIPING WITH SELF-SEALING CLOSED CELL ELASTOMERIC FOAM OR PREMOLDED FIBERGLASS PIPE COVERING, WITH ALL-SERVICE JACKET. PROVIDE A CONTINUOUS VAPOR TIGHT SEAL. INSULATION SHALL BE CONTINUOUS THROUGH ALL WALLS AND FLOORS. NFPA FIRE HAZARD RATING FOR INSULATION, ADHESIVES, SEALERS, AND COATINGS SHALL NOT EXCEED 25 FOR FLAME SPREAD AND 50 FOR SMOKE DEVELOPED, UNLESS OTHERWISE REQUIRED BY THE LOCAL AUTHORITY OR ENERGY CODES. THE MINIMUM INSULATION THICKNESS SHALL BE AS FOLLOWS:

PIPE SIZE	INSULATION THICKNESS
1" DIA. OR LESS	3/4"
1" - 2" DIA.	1"
2" DIA. OR GREATER	1-1/2"

DOMESTIC WATER HEATERS

PROVIDE DOMESTIC WATER HEATERS, AS REQUIRED. REFER TO WATER HEATER SCHEDULE, ON PLUMBING DRAWINGS, FOR EQUIPMENT DESCRIPTIONS, FUEL TYPE, MANUFACTURERS AND MODEL NUMBERS. ANCILLARY RELATED PLUMBING COMPONENTS MAY BE FOUND ON THE PLUMBING SCHEDULES DRAWING(S).

INLINE DOMESTIC WATER PUMPS

PROVIDE INLINE DOMESTIC WATER PUMP, IN DOMESTIC HOT WATER RECIRCULATION SYSTEM(S), AS REQUIRED. REFER TO RECIRCULATING PUMP SCHEDULE, ON PLUMBING DRAWINGS, FOR EQUIPMENT DESCRIPTIONS, MANUFACTURERS AND MODEL NUMBERS.

CONTRACTOR NOTE

IT IS THE RESPONSIBILITY OF THE CONTRACTOR TO NOTIFY THE ARCHITECT, LANDLORD AND TENANT OF ANY DISCREPANCIES ENCOUNTERED ON THE PLANS OR IN EXISTING SITE CONDITIONS PRIOR TO SUBMISSION OF BID.

BIDDERS ARE TO VISIT THE SITE AND FAMILIARIZE THEMSELVES WITH EXISTING CONDITIONS AND SATISFY THEMSELVES AS TO THE NATURE AND SCOPE OF THE WORK. THE BASE BID SHALL REFLECT MODIFICATIONS TO SYSTEMS AND DEVICES AS REQUIRED BY STATE, LOCAL, AND FEDERAL CODES WHETHER INDICATED OR NOT ON CONTRACT DOCUMENTS. THE SUBMISSIONS OF A BID WILL BE EVIDENCE THAT SUCH AN EXAMINATION AND COMPLIANCE WITH GOVERNING CODES/REQUIREMENTS HAS BEEN MADE. LATER CLAIMS FOR LABOR, EQUIPMENT, OR MATERIALS REQUIRED OR FOR DIFFICULTIES ENCOUNTERED WHICH COULD HAVE BEEN FORESEEN HAD AN EXAMINATION AND CODE/REQUIREMENTS REVIEW BEEN MADE, WILL NOT BE ALLOWED.

NOT FOR
CONSTRUCTION

CITYSTUDIOS
ARCHITECTURE

1148 Main Street
Cincinnati, OH 45202
ph. 513.621.0750
citystudiosarch.com

adVantage
STRUCTURAL ENGINEERS
1527 Madison Road
Cincinnati, OH 45206
513.396.8900
www.advantage65.com

VIOX&VIOX
Civil Engineers, Surveyors, and Landscape Architects
1450 North Main Street, Cincinnati, OH 45206
PH: 513.263.1234 FAX: 513.263.1234 www.viox.com

PERMITS & INSURANCE
1450 North Main Street
Lebanon, OH 45046
513-836-3810

RUSS ALLEY
1623 - 1625 VINE STREET, 1624 REPUBLIC STREET
(1625 VINE HPTC APPLICATION)
CINCINNATI, OH 45202

3CDC
CINCINNATI CENTER CITY DEVELOPMENT CORPORATION

ISSUE LOG:
04.02.2023
ISSUE FOR PERMIT
09.21.2023
OHFA PRELIM. SUBMISSION

PLUMBING
SPECIFICATIONS

P0.1

GENERAL NOTES:

- A. RUN ALL OVERHEAD UTILITY PIPING AS HIGH AS POSSIBLE AND OUT OF THE MAIN EGRESS PATHS. MINIMUM BASEMENT HEAD CLEARANCE OF 7'-0". REFER TO ARCHITECTURAL DRAWINGS FOR MORE INFORMATION.
- B. PLUMBING CONTRACTOR TO PROVIDE DRAIN PAN FOR ALL WATER HEATERS AND WASHERS.

PLAN NOTES:

- 1. 2" SANITARY FROM FLOOR ABOVE.
- 2. 3" SANITARY FROM FLOOR ABOVE.
- 3. 4" SANITARY FROM FLOOR ABOVE.
- 4. 4" SANITARY DOWN TO BELOW FINISHED FLOOR.
- 5. 4" SANITARY EXIT. INVERT ELEVATION = 3.0' BELOW FINISHED FLOOR. PLUMBING CONTRACTOR TO COORDINATE EXIT WITH LOCATION OF SANITARY MAIN ON VINE STREET.
- 6. NEW STORM PIPING FROM DOWNSPOUT.
- 7. PROVIDE MASTER TRAP FOR STORM PIPING CONNECTION.
- 8. MOUNT WASHER BOX AT +48" ABOVE FINISHED FLOOR.
- 9. THESE CONSTRUCTION DOCUMENTS SHOW ALL NEW UNDERGROUND STORM AND SANITARY PIPING. IT MAY BE POSSIBLE TO REUSE SOME PORTIONS OF THE EXISTING UNDERGROUND PIPING SYSTEMS. PRIOR TO START OF CONSTRUCTION, ALL EXISTING SANITARY AND STORM PIPING TO BE SCOPED. CONTRACTOR SHALL PROVIDE A REPORT, UPON COMPLETION OF SCOPING, TO SUMMARIZE THE LOCATION, SIZE, INVERT ELEVATIONS, AND CONDITION OF ALL UNDERGROUND PIPING SYSTEMS.
- 10. 2" VENT UP TO FLOOR ABOVE.
- 11. 6" STORM PIPE DOWN TO BELOW GRADE.

NOT FOR CONSTRUCTION

CITYSTUDIOS ARCHITECTURE
1148 Main Street
Cincinnati, OH 45202
ph. 513.621.0750
citystudiosarch.com

advantage
STRUCTURAL ENGINEERS
1527 Madison Road
Cincinnati, OH 45206
513.396.8900
www.advantageSE.com

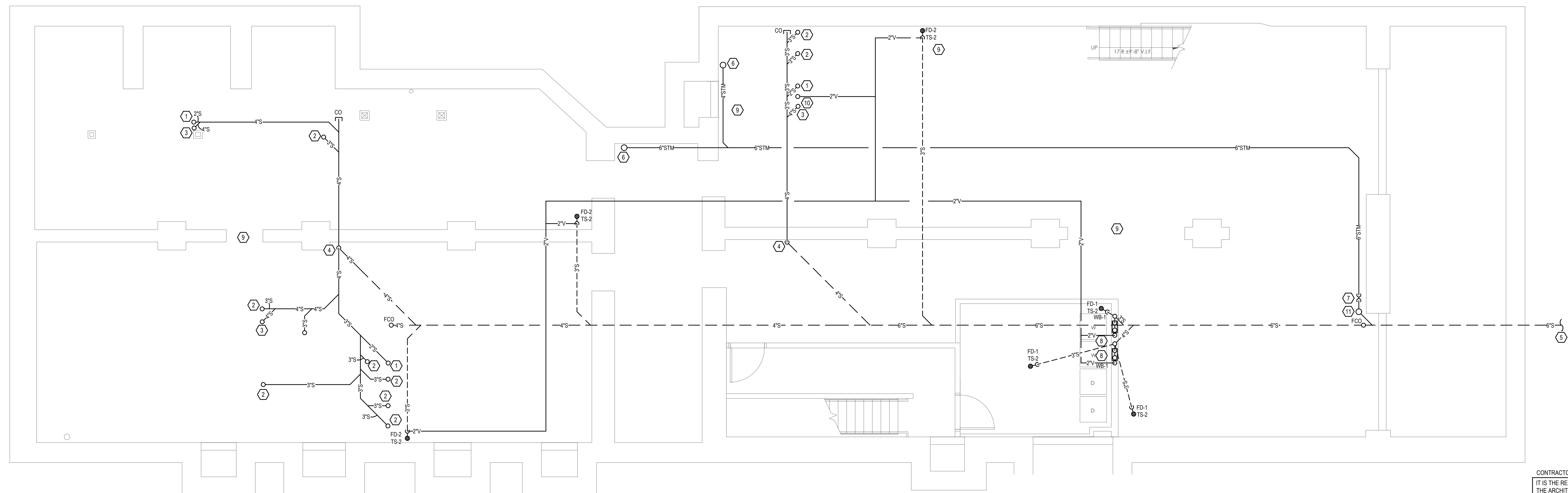
VIOX & VIOX
Civil Engineers, Surveyors, and Landscape Architects
1600 S. Main Street, Suite 1000
Lebanon, OH 45031
Phone: (513) 528-1200 • Fax: (513) 528-1208 • www.viox.com

PE Services
CONSULTING FOR THE BUILDING INDUSTRY
4-913-836-9910
www.pecservices.com
9 North Broadway
Lebanon, OH 45046
513-836-3810

RUSS ALLEY
1623 - 1625 VINE STREET, 1624 REPUBLIC STREET
(1625 VINE HPTC APPLICATION)
CINCINNATI, OH 45202

3CDC CINCINNATI CENTER CITY DEVELOPMENT CORPORATION

ISSUE LOG:
04.02.2023
ISSUE FOR PERMIT
09.21.2023
OHFA PRELIM. SUBMISSION



CONTRACTOR NOTE
IT IS THE RESPONSIBILITY OF THE CONTRACTOR TO NOTIFY THE ARCHITECT, LANDLORD AND TENANT OF ANY DISCREPANCIES ENCOUNTERED ON THE PLANS OR IN EXISTING SITE CONDITIONS PRIOR TO SUBMISSION OF BID.

BIDDERS ARE TO VISIT THE SITE AND FAMILIARIZE THEMSELVES WITH EXISTING CONDITIONS AND SATISFY THEMSELVES AS TO THE NATURE AND SCOPE OF THE WORK. THE BASE BID SHALL REFLECT MODIFICATIONS TO SYSTEMS AND DEVICES AS REQUIRED BY STATE, LOCAL AND FEDERAL CODES WHETHER INDICATED OR NOT ON CONTRACT DOCUMENTS. THE SUBMISSIONS OF A BID WILL BE EVIDENCE THAT SUCH AN EXAMINATION AND COMPLIANCE WITH GOVERNING CODES/REQUIREMENTS HAS BEEN MADE. LATER CLAIMS FOR LABOR, EQUIPMENT, OR MATERIALS REQUIRED OR FOR DIFFICULTIES ENCOUNTERED WHICH COULD HAVE BEEN FORESEEN HAD AN EXAMINATION AND CODES/REQUIREMENTS REVIEW BEEN MADE, WILL NOT BE ALLOWED.

BASEMENT SANITARY PLAN | 1
1/4" = 1'-0" | P1.0



BASEMENT SANITARY PLAN

P1.0

- GENERAL NOTES:**
- HATCHED AREAS INDICATED LOWERED CEILINGS. REFER TO ARCHITECTURAL DRAWINGS FOR MORE INFORMATION.
 - PLUMBING CONTRACTOR TO PROVIDE DRAIN PAN FOR ALL WATER HEATERS AND WASHERS.
- PLAN NOTES:**
- 2" SANITARY FROM FLOOR ABOVE.
 - 3" SANITARY FROM FLOOR ABOVE.
 - 4" SANITARY FROM FLOOR ABOVE.
 - 4" SANITARY DOWN TO FLOOR BELOW.
 - 2" VENT UP TO FLOOR ABOVE.
 - 2" END VENT SERVING HORIZONTAL WET VENT SYSTEM. REFER TO SANITARY ISOMETRICS FOR SIZING BETWEEN FLOORS.
 - SANITARY STACK SERVING HORIZONTAL WET VENT SYSTEM. REFER TO SANITARY ISOMETRICS FOR SIZING BETWEEN FLOORS.
 - WASTE STACK VENT SERVING FLOOR DRAIN / WASHER BOX COMBINATION. REFER TO SANITARY ISOMETRICS FOR SIZING BETWEEN FLOORS. MOUNT WASHER BOX AT +4" ABOVE FINISHED FLOOR.
 - NEW STORM PIPING TO DOWNSPOUT.
 - NEW STORM PIPING FROM AREA DRAIN.
 - STORM PIPING DOWN TO FLOOR BELOW.
 - 2" VENT UP FROM FLOOR BELOW.
 - 3" SANITARY DOWN TO FLOOR BELOW.
 - ROUTE SANITARY PIPING IN FLOOR JOIST SPACES. COORDINATE PIPE ROUTING WITH OTHER TRADES.
 - PROVIDE LOW PROFILE TRAP FOR ABOVE FIXTURE. ROUTE SANITARY PIPING EXPOSED AND TIGHT TO CEILING. COORDINATE PIPE ROUTING WITH OTHER TRADES.

NOT FOR CONSTRUCTION

CITYSTUDIOS ARCHITECTURE
1148 Main Street
Cincinnati, OH 45202
ph. 513.621.0750
citystudiosarch.com

advantage
STRUCTURAL ENGINEERS
1527 Madison Road
Cincinnati, OH 45206
513.396.8900
www.advantageSE.com

VIOX & VIOX
Civil Engineers, Surveyors, and Landscape Architects
1650 Blue Ash Road, Suite 100
Blue Ash, OH 45215
Phone: 513.233.1234 • Fax: 513.233.1234 • www.viox.com

PE Services
CONSULTING FOR THE BUILDING INDUSTRY
4013-88th Street
www.pe-services.com
9 North Broadway
Lebanon, OH 45046
513-836-3810

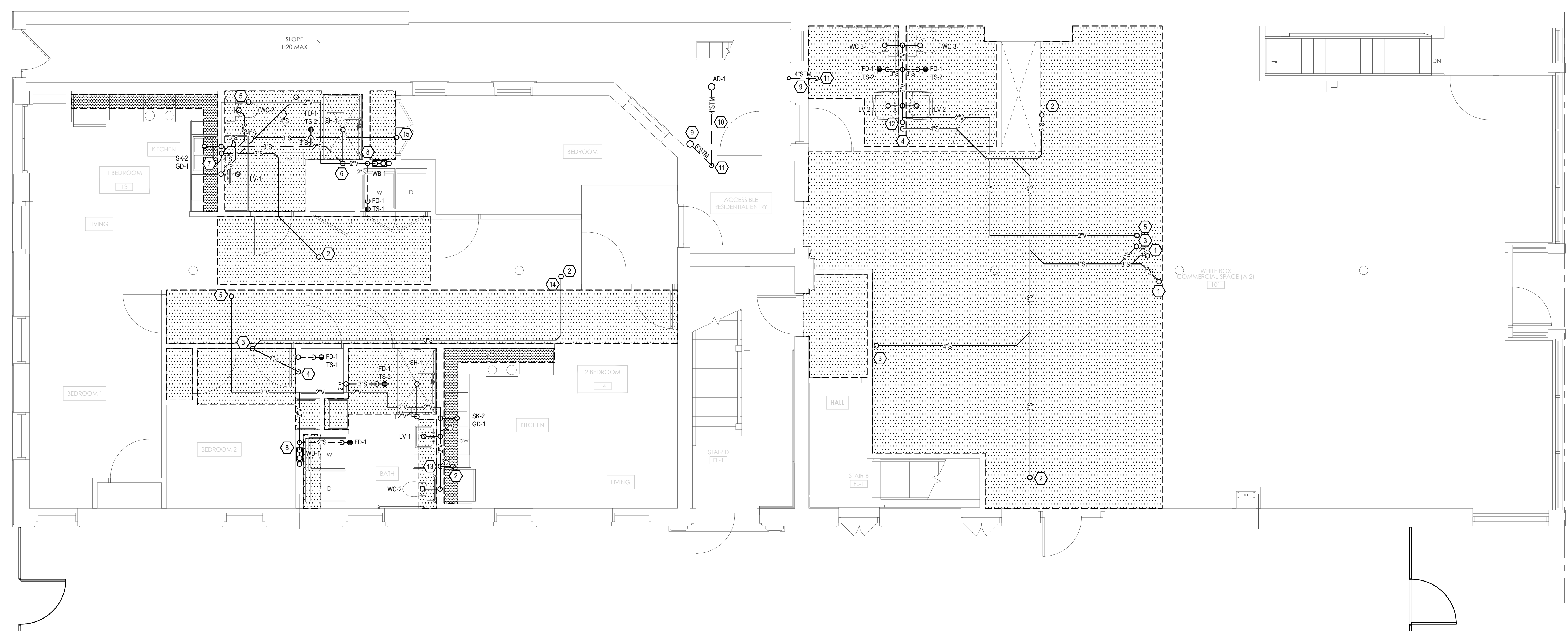
RUSS ALLEY
1623 - 1625 VINE STREET, 1624 REPUBLIC STREET
(1625 VINE HPTC APPLICATION)
CINCINNATI, OH 45202

3CDC CINCINNATI CENTER CITY DEVELOPMENT CORPORATION

ISSUE LOG:
04.02.2023 ISSUE FOR PERMIT
09.21.2023 OHFA PRELIM. SUBMISSION

FIRST FLOOR SANITARY PLAN

P1.1



FIRST FLOOR SANITARY PLAN | 1
1/4" = 1'-0" | P1.1



CONTRACTOR NOTE
IT IS THE RESPONSIBILITY OF THE CONTRACTOR TO NOTIFY THE ARCHITECT, LANDLORD AND TENANT OF ANY DISCREPANCIES ENCOUNTERED ON THE PLANS OR IN EXISTING SITE CONDITIONS PRIOR TO SUBMISSION OF BID.
BIDDERS ARE TO VISIT THE SITE AND FAMILIARIZE THEMSELVES WITH EXISTING CONDITIONS AND SATISFY THEMSELVES AS TO THE NATURE AND SCOPE OF THE WORK. THE BASE BID SHALL REFLECT MODIFICATIONS TO SYSTEMS AND DEVICES AS REQUIRED BY STATE, LOCAL AND FEDERAL CODES WHETHER INDICATED OR NOT ON CONTRACT DOCUMENTS. THE SUBMISSIONS OF A BID WILL BE EVIDENCE THAT SUCH AN EXAMINATION AND COMPLIANCE WITH GOVERNING CODES/REQUIREMENTS HAS BEEN MADE. LATER CLAIMS FOR LABOR, EQUIPMENT, OR MATERIALS REQUIRED OR FOR DIFFICULTIES ENCOUNTERED WHICH COULD HAVE BEEN FORESEEN HAD AN EXAMINATION AND CODE/REQUIREMENTS REVIEW BEEN MADE, WILL NOT BE ALLOWED.

GENERAL NOTES:

- A. HATCHED AREAS INDICATED LOWERED CEILINGS. REFER TO ARCHITECTURAL DRAWINGS FOR MORE INFORMATION.
- B. PLUMBING CONTRACTOR TO PROVIDE DRAIN PAN FOR ALL WATER HEATERS AND WASHERS.

PLAN NOTES:

1. WASTE STACK VENT SERVING KITCHEN SINK. REFER TO SANITARY ISOMETRICS FOR SIZING BETWEEN FLOORS.
2. WASTE STACK VENT SERVING FLOOR DRAIN. REFER TO SANITARY ISOMETRICS FOR SIZING BETWEEN FLOORS.
3. 4" SANITARY FROM FLOOR ABOVE.
4. 4" SANITARY DOWN TO BELOW FLOOR BELOW.
5. 2" VENT UP TO FLOOR ABOVE.
6. 2" END VENT SERVING HORIZONTAL WET VENT SYSTEM. REFER TO SANITARY ISOMETRICS FOR SIZING BETWEEN FLOORS.
7. SANITARY STACK SERVING HORIZONTAL WET VENT SYSTEM. REFER TO SANITARY ISOMETRICS FOR SIZING BETWEEN FLOORS.
8. PROVIDE HEAT TRACE FOR SANITARY PIPING IN UNCONDITIONED SPACE ABOVE BREEZEWAY.
9. 2" VENT UP FROM FLOOR BELOW.

NOT FOR CONSTRUCTION

CITYSTUDIOS ARCHITECTURE
1148 Main Street
Cincinnati, OH 45202
ph. 513.621.0750
citystudiosarch.com

advantage
STRUCTURAL ENGINEERS
1527 Madison Road
Cincinnati, OH 45206
513.396.8900
www.advantageSE.com

VIOX & VIOX
Civil Engineers, Surveyors, and Landscape Architects
1650 S. Main Street, Suite 1010
Lebanon, OH 45031
Phone: (513) 233-1204 • Fax: (513) 233-1204 • www.viox.com

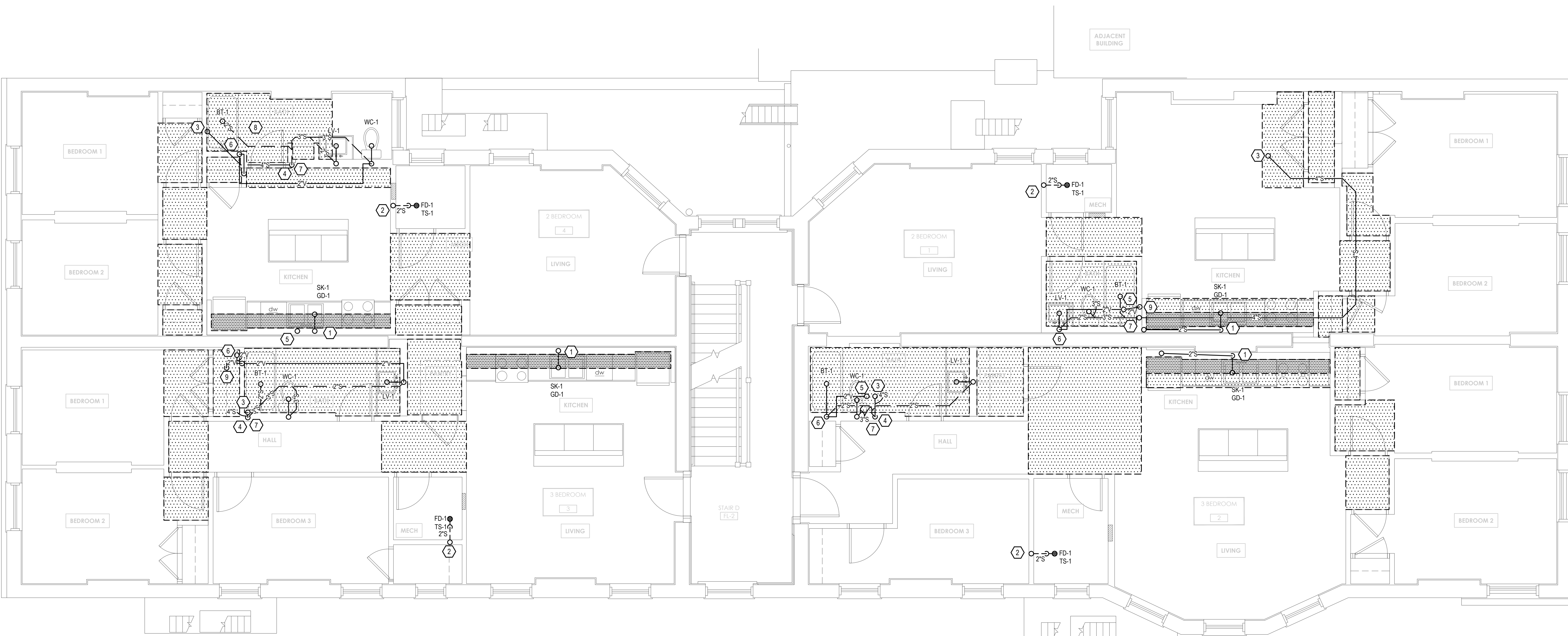
PE Services
CONSULTING FOR THE BUILDING INDUSTRY
1-813-836-3810
www.pe-services.com
9 North Broadway
Lebanon, OH 45046
513-836-3810

RUSS ALLEY
1623 - 1625 VINE STREET, 1624 REPUBLIC STREET
(1625 VINE HPTC APPLICATION)
CINCINNATI, OH 45202

3CDC CINCINNATI CENTER CITY DEVELOPMENT CORPORATION

ISSUE LOG:
04.02.2023
ISSUE FOR PERMIT
09.21.2023
OHFA PRELIM. SUBMISSION

CONTRACTOR NOTE
IT IS THE RESPONSIBILITY OF THE CONTRACTOR TO NOTIFY THE ARCHITECT, LANDLORD AND TENANT OF ANY DISCREPANCIES ENCOUNTERED ON THE PLANS OR IN EXISTING SITE CONDITIONS PRIOR TO SUBMISSION OF BID.
BIDDERS ARE TO VISIT THE SITE AND FAMILIARIZE THEMSELVES WITH EXISTING CONDITIONS AND SATISFY THEMSELVES AS TO THE NATURE AND SCOPE OF THE WORK. THE BASE BID SHALL REFLECT MODIFICATIONS TO SYSTEMS AND DEVICES AS REQUIRED BY STATE, LOCAL AND FEDERAL CODES WHETHER INDICATED OR NOT ON CONTRACT DOCUMENTS. THE SUBMISSIONS OF A BID WILL BE EVIDENCE THAT SUCH AN EXAMINATION AND COMPLIANCE WITH GOVERNING CODES/REQUIREMENTS HAS BEEN MADE. LATER CLAIMS FOR LABOR, EQUIPMENT, OR MATERIALS REQUIRED OR FOR DIFFICULTIES ENCOUNTERED WHICH COULD HAVE BEEN FORESEEN HAD AN EXAMINATION AND CODE/REQUIREMENTS REVIEW BEEN MADE, WILL NOT BE ALLOWED.



SECOND FLOOR SANITARY PLAN | 1
1/4" = 1'-0" | P1.2



SECOND FLOOR SANITARY PLAN

P1.2

GENERAL NOTES:

- A. HATCHED AREAS INDICATED LOWERED CEILINGS. REFER TO ARCHITECTURAL DRAWINGS FOR MORE INFORMATION.
 - B. PLUMBING CONTRACTOR TO PROVIDE DRAIN PAN FOR ALL WATER HEATERS AND WASHERS.
- PLAN NOTES:**
- 1. WASTE STACK VENT SERVING KITCHEN SINK. REFER TO SANITARY ISOMETRICS FOR SIZING BETWEEN FLOORS.
 - 2. WASTE STACK VENT SERVING FLOOR DRAIN. REFER TO SANITARY ISOMETRICS FOR SIZING BETWEEN FLOORS.
 - 3. 4" SANITARY FROM FLOOR ABOVE.
 - 4. 4" SANITARY DOWN TO BELOW FLOOR BELOW.
 - 5. 2" VENT UP TO FLOOR ABOVE.
 - 6. 2" END VENT SERVING HORIZONTAL WET VENT SYSTEM. REFER TO SANITARY ISOMETRICS FOR SIZING BETWEEN FLOORS.
 - 7. SANITARY STACK SERVING HORIZONTAL WET VENT SYSTEM. REFER TO SANITARY ISOMETRICS FOR SIZING BETWEEN FLOORS.

NOT FOR CONSTRUCTION

CITYSTUDIOS ARCHITECTURE
1148 Main Street
Cincinnati, OH 45202
ph. 513.621.0750
citystudiosarch.com

advantage
STRUCTURAL ENGINEERS
1527 Madison Road
Cincinnati, OH 45206
513.396.8900
www.advantageSE.com

VIOX & VIOX
Civil Engineers, Surveyors, and Landscape Architects
1650 S. Main Street, Suite 1010
Cincinnati, OH 45219
Phone: (513) 263-1200 • Fax: (513) 263-1204 • www.viox.com

PE Services
CONSULTING FOR THE BUILDING INDUSTRY
4193-Broadway
9 North Broadway
Lebanon, OH 45046
513-836-3810

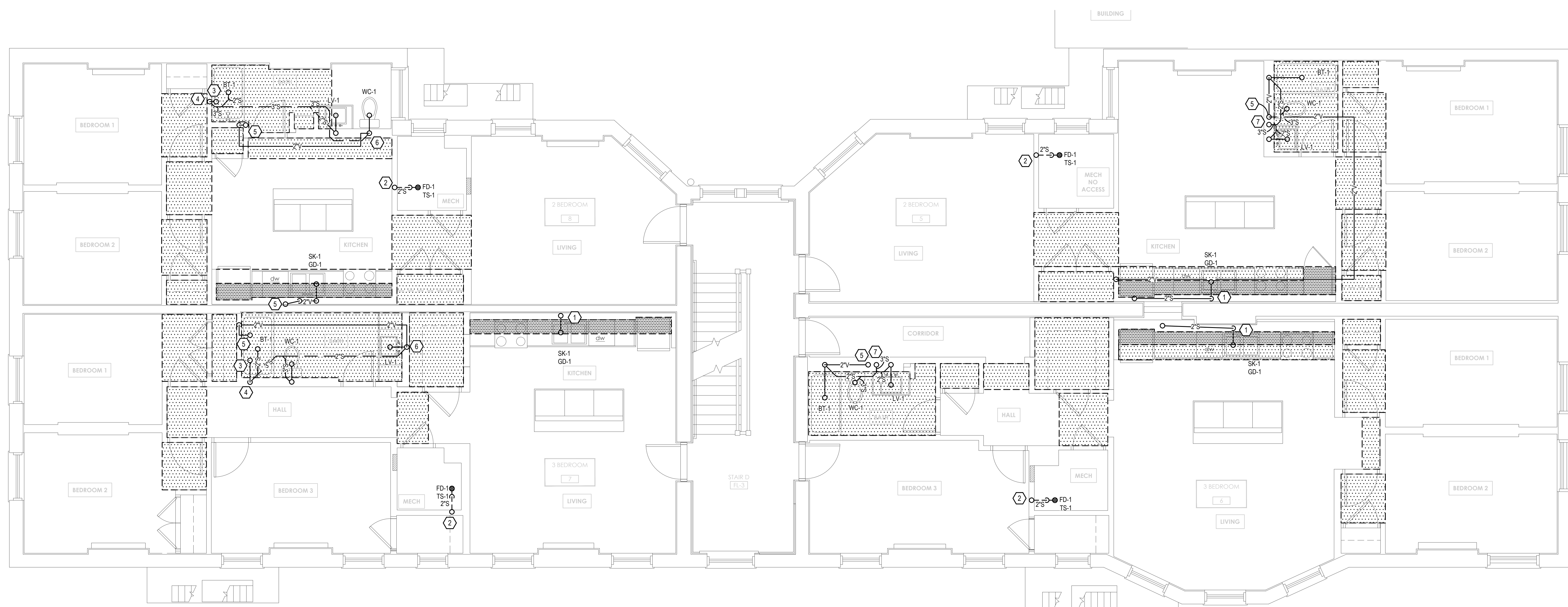
RUSS ALLEY
1623 - 1625 VINE STREET, 1624 REPUBLIC STREET
(1625 VINE HPTC APPLICATION)
CINCINNATI, OH 45202

3CDC CINCINNATI CENTER CITY DEVELOPMENT CORPORATION

ISSUE LOG:
04.02.2023
ISSUE FOR PERMIT
09.21.2023
OHFA PRELIM. SUBMISSION

THIRD FLOOR
SANITARY PLAN

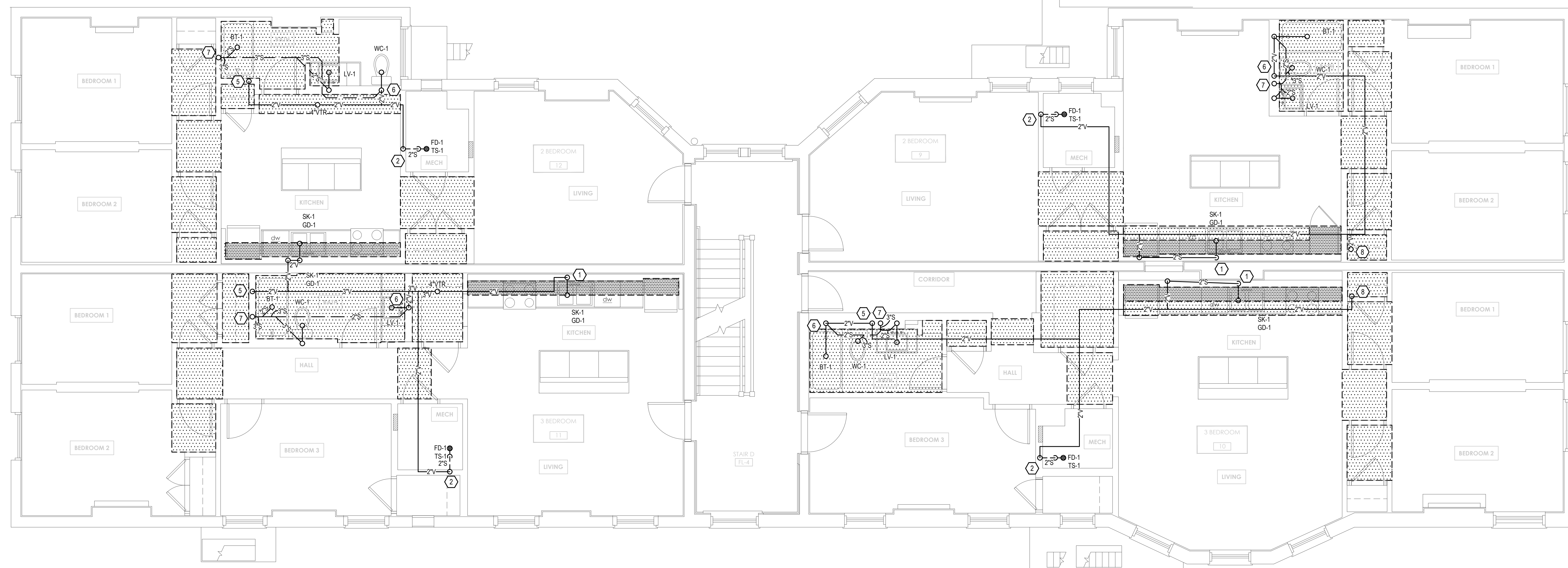
P1.3



THIRD FLOOR SANITARY PLAN | 1
1/4" = 1'-0" | P1.3



CONTRACTOR NOTE
IT IS THE RESPONSIBILITY OF THE CONTRACTOR TO NOTIFY THE ARCHITECT, LANDLORD AND TENANT OF ANY DISCREPANCIES ENCOUNTERED ON THE PLANS OR IN EXISTING SITE CONDITIONS PRIOR TO SUBMISSION OF BID.
BIDDERS ARE TO VISIT THE SITE AND FAMILIARIZE THEMSELVES WITH EXISTING CONDITIONS AND SATISFY THEMSELVES AS TO THE NATURE AND SCOPE OF THE WORK. THE BASE BID SHALL REFLECT MODIFICATIONS TO SYSTEMS AND DEVICES AS REQUIRED BY STATE, LOCAL AND FEDERAL CODES WHETHER INDICATED OR NOT ON CONTRACT DOCUMENTS. THE SUBMISSIONS OF A BID WILL BE EVIDENCE THAT SUCH AN EXAMINATION AND COMPLIANCE WITH GOVERNING CODES/REQUIREMENTS HAS BEEN MADE. LATER CLAIMS FOR LABOR, EQUIPMENT, OR MATERIALS REQUIRED OR FOR DIFFICULTIES ENCOUNTERED WHICH COULD HAVE BEEN FORESEEN HAD AN EXAMINATION AND CODE/REQUIREMENTS REVIEW BEEN MADE, WILL NOT BE ALLOWED.



- GENERAL NOTES:**
- A. HATCHED AREAS INDICATED LOWERED CEILINGS. REFER TO ARCHITECTURAL DRAWINGS FOR MORE INFORMATION.
 - B. PLUMBING CONTRACTOR TO PROVIDE DRAIN PAN FOR ALL WATER HEATERS AND WASHERS.
- PLAN NOTES:**
- 1. WASTE STACK VENT SERVING KITCHEN SINK. REFER TO SANITARY ISOMETRICS FOR SIZING BETWEEN FLOORS.
 - 2. WASTE STACK VENT SERVING FLOOR DRAIN. REFER TO SANITARY ISOMETRICS FOR SIZING BETWEEN FLOORS.
 - 3. 4" SANITARY FROM FLOOR ABOVE.
 - 4. 4" SANITARY DOWN TO BELOW FLOOR BELOW.
 - 5. 2" VENT UP TO FLOOR ABOVE.
 - 6. 2" END VENT SERVING HORIZONTAL WET VENT SYSTEM. REFER TO SANITARY ISOMETRICS FOR SIZING BETWEEN FLOORS.
 - 7. SANITARY STACK SERVING HORIZONTAL WET VENT SYSTEM. REFER TO SANITARY ISOMETRICS FOR SIZING BETWEEN FLOORS.
 - 8. 2" VENT UP TO FLOOR ABOVE.

NOT FOR CONSTRUCTION

CITYSTUDIOS ARCHITECTURE
 1148 Main Street
 Cincinnati, OH 45202
 ph. 513.621.0750
 citystudiosarch.com

advantage
 STRUCTURAL ENGINEERS
 1527 Madison Road
 Cincinnati, OH 45206
 513.396.8900
 www.advantageSE.com

VIOX&VIOX
 Civil Engineers, Surveyors, and Landscape Architects
 1000 Riverchase Lane, Suite 100
 Columbus, OH 43240
 Phone: (614) 233-1234 • Fax: (614) 233-1234 • www.viox.com

PE Services
 CONSULTING FOR THE BUILDING INDUSTRY
 9 North Broadway
 Lebanon, OH 45046
 513-836-3810

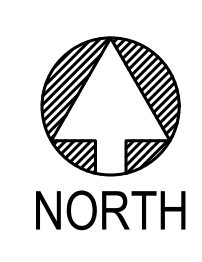
RUSS ALLEY
 1623 - 1625 VINE STREET, 1624 REPUBLIC STREET
 (1625 VINE HPTC APPLICATION)
 CINCINNATI, OH 45202

3CDC CINCINNATI CENTER CITY DEVELOPMENT CORPORATION

ISSUE LOG:
 04.02.2023
 ISSUE FOR PERMIT
 09.21.2023
 CHFA PRELIM. SUBMISSION

CONTRACTOR NOTE
 IT IS THE RESPONSIBILITY OF THE CONTRACTOR TO NOTIFY THE ARCHITECT, LANDLORD AND TENANT OF ANY DISCREPANCIES ENCOUNTERED ON THE PLANS OR IN EXISTING SITE CONDITIONS PRIOR TO SUBMISSION OF BID.
 BIDDERS ARE TO VISIT THE SITE AND FAMILIARIZE THEMSELVES WITH EXISTING CONDITIONS AND SATISFY THEMSELVES AS TO THE NATURE AND SCOPE OF THE WORK. THE BASE BID SHALL REFLECT MODIFICATIONS TO SYSTEMS AND DEVICES AS REQUIRED BY STATE, LOCAL AND FEDERAL CODES WHETHER INDICATED OR NOT ON CONTRACT DOCUMENTS. THE SUBMISSIONS OF A BID WILL BE EVIDENCE THAT SUCH AN EXAMINATION AND COMPLIANCE WITH GOVERNING CODES/REQUIREMENTS HAS BEEN MADE. LATER CLAIMS FOR LABOR, EQUIPMENT, OR MATERIALS REQUIRED OR FOR DIFFICULTIES ENCOUNTERED WHICH COULD HAVE BEEN FORESEEN HAD AN EXAMINATION AND CODES/REQUIREMENTS REVIEW BEEN MADE, WILL NOT BE ALLOWED.

FOURTH FLOOR SANITARY PLAN | 1
 1/4" = 1'-0" | P1.4



FOURTH FLOOR
 SANITARY PLAN

P1.4

NOT FOR
CONSTRUCTION

CITYSTUDIOS
ARCHITECTURE
1148 Main Street
Cincinnati, OH 45202
ph. 513.621.0750
citystudiosarch.com

advantage
STRUCTURAL ENGINEERS
1527 Madison Road
Cincinnati, OH 45206
513.396.8900
www.advantageSE.com

VIOX & VIOX
Civil Engineer, Surveyor, and Landscape Architect
1633 Springdale Avenue, Cincinnati, OH 45219
Phone: (513) 263-1234 • Fax: (513) 263-1234 • www.viox.com

PE Services
CONSULTING FOR THE BUILDING INDUSTRY
1-813-826-3910
www.pe-services.com
9 North Broadway
Lebanon, OH 45046
513-836-3810

RUSS ALLEY
1623 - 1625 VINE STREET, 1624 REPUBLIC STREET
(1625 VINE HPTC APPLICATION)
CINCINNATI, OH 45202

3CDC CINCINNATI CENTER CITY DEVELOPMENT CORPORATION

ISSUE LOG:
04.02.2023
ISSUE FOR PERMIT
09.21.2023
OHFA PRELIM. SUBMISSION



ATTIC SANITARY PLAN | 1
1/4" = 1'-0" | P1.5



CONTRACTOR NOTE
IT IS THE RESPONSIBILITY OF THE CONTRACTOR TO NOTIFY THE ARCHITECT, LANDLORD AND TENANT OF ANY DISCREPANCIES ENCOUNTERED ON THE PLANS OR IN EXISTING SITE CONDITIONS PRIOR TO SUBMISSION OF BID.
BIDDERS ARE TO VISIT THE SITE AND FAMILIARIZE THEMSELVES WITH EXISTING CONDITIONS AND SATISFY THEMSELVES AS TO THE NATURE AND SCOPE OF THE WORK. THE BASE BID SHALL REFLECT MODIFICATIONS TO SYSTEMS AND DEVICES AS REQUIRED BY STATE, LOCAL AND FEDERAL CODES WHETHER INDICATED OR NOT ON CONTRACT DOCUMENTS. THE SUBMISSIONS OF A BID WILL BE EVIDENCE THAT SUCH AN EXAMINATION AND COMPLIANCE WITH GOVERNING CODES/REQUIREMENTS HAS BEEN MADE. LATER CLAIMS FOR LABOR, EQUIPMENT, OR MATERIALS REQUIRED OR FOR DIFFICULTIES ENCOUNTERED WHICH COULD HAVE BEEN FORESEEN HAD AN EXAMINATION AND CODES/REQUIREMENTS REVIEW BEEN MADE, WILL NOT BE ALLOWED.

ATTIC
SANITARY PLAN
P1.5

GENERAL NOTES:

A. RUN ALL OVERHEAD UTILITY PIPING AS HIGH AS POSSIBLE AND OUT OF THE MAIN EGRESS PATHS. MINIMUM BASEMENT HEAD CLEARANCE OF 7'-0". REFER TO ARCHITECTURAL DRAWINGS FOR MORE INFORMATION.

PLAN NOTES:

1. NEW COMBINED WATER SERVICE BY OTHERS. PLUMBING CONTRACTOR TO CONNECT NEW BFP TO 3" TAP FROM COMBINED SERVICE.
2. 3/4" COLD WATER DOWN TO WATER HEATER AND 3/4" HOT WATER FROM WATER HEATER.
3. 1/2" HOT AND COLD WATER DOWN TO WASHER BOX. MOUNT WASHER BOX AT +48" ABOVE FINISHED FLOOR.
4. 1/2" HOT AND COLD WATER DOWN TO WASHER BOX. MOUNT WASHER BOX AT +48" ABOVE FINISHED FLOOR.
5. 2" COLD WATER UP TO FLOOR ABOVE.
6. 3/4" COLD WATER UP TO FWH-1.
7. NEW 2" GAS SERVICE TO REPLACE EXISTING GAS SERVICE.
8. PROVIDE NEW 2" DOMESTIC WATER TO 1629 VINE STREET. REFER TO 1629 PLANS UNDER SEPARATE PERMIT.

NOT FOR CONSTRUCTION

CITYSTUDIOS ARCHITECTURE
1148 Main Street
Cincinnati, OH 45202
ph. 513.621.0750
citystudiosarch.com

advantage STRUCTURAL ENGINEERS
1527 Madison Road
Cincinnati, OH 45206
513.396.8900
www.advantageSE.com

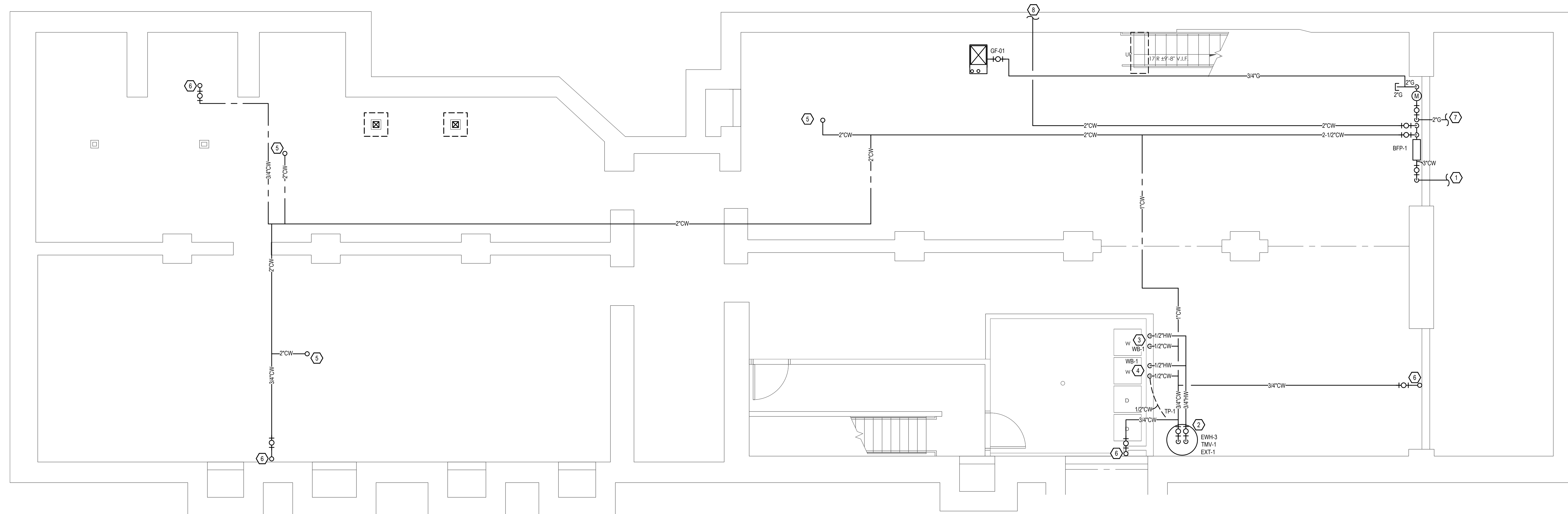
VIOX & VIOX
Civil Engineers, Surveyors, and Landscape Architects
1653 Sycamore Avenue, Cincinnati, OH 45203
Phone: (513) 233-1234 • Fax: (513) 233-1234 • www.viox.com

PE Services
CONSULTING FOR THE MIDDLE WEST
1-513-836-3810
www.pe-services.com
9 North Broadway
Lebanon, OH 45046
513-836-3810

RUSS ALLEY
1623 - 1625 VINE STREET, 1624 REPUBLIC STREET
(1625 VINE HPTC APPLICATION)
CINCINNATI, OH 45202

3CDC CENTER CITY DEVELOPMENT CORPORATION

ISSUE LOG:
04.02.2023
ISSUE FOR PERMIT
09.21.2023
OHFA PRELIM. SUBMISSION



BASEMENT WATER & GAS PLAN | 1
1/4" = 1'-0" | P2.0



CONTRACTOR NOTE

IT IS THE RESPONSIBILITY OF THE CONTRACTOR TO NOTIFY THE ARCHITECT, LANDLORD AND TENANT OF ANY DISCREPANCIES ENCOUNTERED ON THE PLANS OR IN EXISTING SITE CONDITIONS PRIOR TO SUBMISSION OF BID.

BIDDERS ARE TO VISIT THE SITE AND FAMILIARIZE THEMSELVES WITH EXISTING CONDITIONS AND SATISFY THEMSELVES AS TO THE NATURE AND SCOPE OF THE WORK. THE BASE BID SHALL REFLECT MODIFICATIONS TO SYSTEMS AND DEVICES AS REQUIRED BY STATE, LOCAL AND FEDERAL CODES WHETHER INDICATED OR NOT ON CONTRACT DOCUMENTS. THE SUBMISSIONS OF A BID WILL BE EVIDENCE THAT SUCH AN EXAMINATION AND COMPLIANCE WITH GOVERNING CODES/REQUIREMENTS HAS BEEN MADE. LATER CLAIMS FOR LABOR, EQUIPMENT, OR MATERIALS REQUIRED OR FOR DIFFICULTIES ENCOUNTERED WHICH COULD HAVE BEEN FORESEEN HAD AN EXAMINATION AND CODES/REQUIREMENTS REVIEW BEEN MADE, WILL NOT BE ALLOWED.

BASEMENT WATER & GAS PLAN

P2.0

GENERAL NOTES:

A. HATCHED AREAS INDICATED LOWERED CEILINGS. REFER TO ARCHITECTURAL DRAWINGS FOR MORE INFORMATION.

PLAN NOTES:

1. 2" COLD WATER FROM FLOOR BELOW.
2. 2" COLD WATER FROM FLOOR BELOW. 3/4" COLD WATER TO SERVE UNIT AND 1-1/2" COLD WATER UP TO FLOOR ABOVE TO SERVE UNITS.
3. 1-1/2" COLD WATER UP TO SERVE UNITS ABOVE.
4. 1" COLD WATER DOWN. ROUTE 1/2" COLD WATER TO EACH LAVATORY AND WATER CLOSET. ROUTE 1/2" COLD WATER TO INSTANTANEOUS WATER HEATER. FROM INSTANTANEOUS WATER HEATER, ROUTE 1/2" HOT WATER TO EACH LAVATORY.
5. 1/2" HOT AND COLD WATER DOWN. ROUTE 1/2" HOT AND COLD WATER TO LAVATORY AND 1/2" HOT AND COLD WATER TO SINK. ROUTE 1/2" HOT WATER THROUGH WALL TO DISHWASHER.
6. 1/2" COLD WATER DOWN TO WATER CLOSET.
7. 1/2" COLD WATER DOWN TO ICE MAKER WALL BOX.
8. 1/2" HOT AND COLD WATER DOWN TO SHOWER.
9. 1/2" HOT AND COLD WATER DOWN TO WASHER BOX.
10. 3/4" COLD WATER UP TO FWH-1.

NOT FOR CONSTRUCTION

CITYSTUDIOS ARCHITECTURE
1148 Main Street
Cincinnati, OH 45202
ph. 513.621.0750
citystudiosarch.com

advantage
STRUCTURAL ENGINEERS
1527 Madison Road
Cincinnati, OH 45206
513.396.8900
www.advantageSE.com

VIOX & VIOX
Civil Engineers, Surveyors, and Landscape Architects
1650 Springdale Avenue, Cincinnati, OH 45219
Phone: (513) 233-1234 • Fax: (513) 233-1234 • www.viox.com

PE Services
CONSULTING FOR THE BUILDING INDUSTRY
4-013-0100-0010
www.pe-services.com
9 North Broadway
Lebanon, OH 45046
513-836-3810

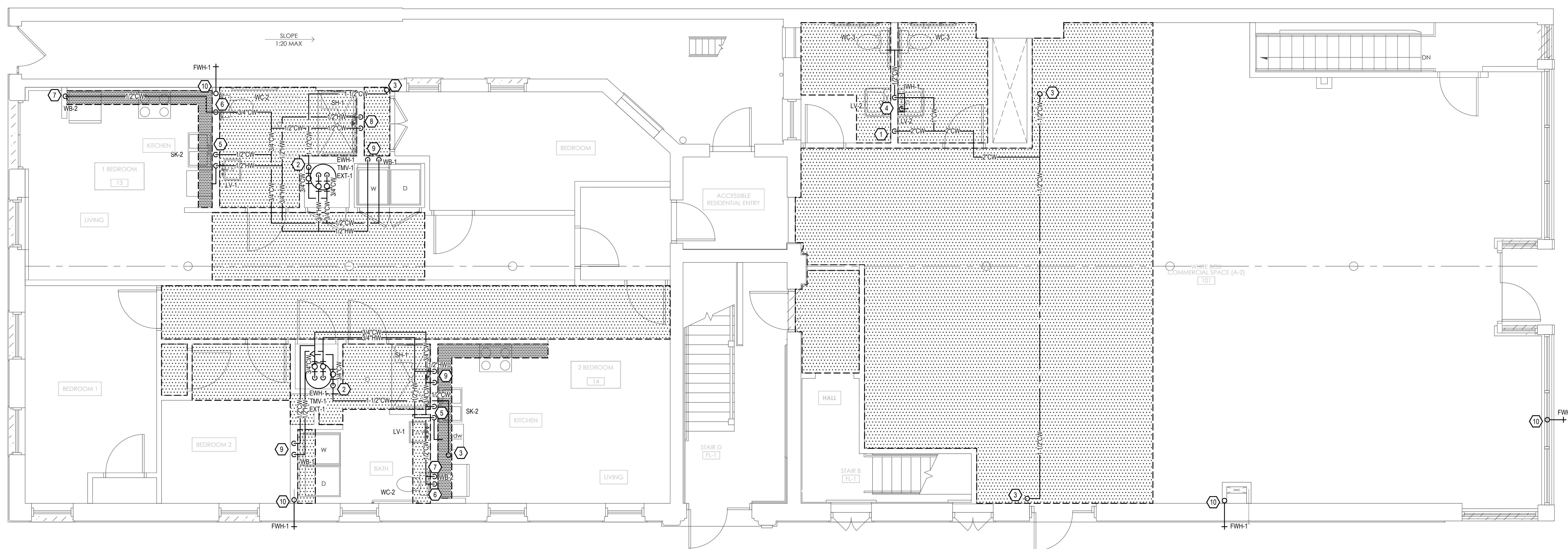
RUSS ALLEY
1623 - 1625 VINE STREET, 1624 REPUBLIC STREET
(1625 VINE HPTC APPLICATION)
CINCINNATI, OH 45202

3CDC CINCINNATI CENTER CITY DEVELOPMENT CORPORATION

ISSUE LOG:
04.02.2023
ISSUE FOR PERMIT
09.21.2023
OHFA PRELIM. SUBMISSION

FIRST FLOOR WATER PLAN

P2.1



FIRST FLOOR WATER PLAN | 1
1/4" = 1'-0" | P2.1



CONTRACTOR NOTE
IT IS THE RESPONSIBILITY OF THE CONTRACTOR TO NOTIFY THE ARCHITECT, LANDLORD AND TENANT OF ANY DISCREPANCIES ENCOUNTERED ON THE PLANS OR IN EXISTING SITE CONDITIONS PRIOR TO SUBMISSION OF BID.
BIDDERS ARE TO VISIT THE SITE AND FAMILIARIZE THEMSELVES WITH EXISTING CONDITIONS AND SATISFY THEMSELVES AS TO THE NATURE AND SCOPE OF THE WORK. THE BASE BID SHALL REFLECT MODIFICATIONS TO SYSTEMS AND DEVICES AS REQUIRED BY STATE, LOCAL AND FEDERAL CODES WHETHER INDICATED OR NOT ON CONTRACT DOCUMENTS. THE SUBMISSIONS OF A BID WILL BE EVIDENCE THAT SUCH AN EXAMINATION AND COMPLIANCE WITH GOVERNING CODES/REQUIREMENTS HAS BEEN MADE. LATER CLAIMS FOR LABOR, EQUIPMENT, OR MATERIALS REQUIRED OR FOR DIFFICULTIES ENCOUNTERED WHICH COULD HAVE BEEN FORESEEN HAD AN EXAMINATION AND CODE/REQUIREMENTS REVIEW BEEN MADE, WILL NOT BE ALLOWED.

GENERAL NOTES:

A. HATCHED AREAS INDICATED LOWERED CEILINGS. REFER TO ARCHITECTURAL DRAWINGS FOR MORE INFORMATION.

PLAN NOTES:

1. TYPICAL WATER RISER SERVING ONE BATH UNIT.
2. 1-1/2" COLD WATER UP TO FLOOR ABOVE.
3. 1/2" HOT AND 3/4" COLD WATER DOWN. ROUTE 1/2" HOT AND COLD WATER TO LAVATORY AND 1/2" COLD WATER THROUGH WALL TO WATER CLOSET.
4. 1/2" HOT AND COLD WATER DOWN TO SHOWER.
5. 1/2" HOT AND COLD WATER DOWN. ROUTE 1/2" HOT AND COLD WATER TO SINK AND 1/2" HOT WATER TO DISHWASHER.
6. 1/2" COLD WATER DOWN TO ICE MAKER WALL BOX.
7. 1/2" HOT AND COLD WATER DOWN TO LAVATORY.
8. 1/2" COLD WATER DOWN TO WATER CLOSET.

NOT FOR CONSTRUCTION

CITYSTUDIOS ARCHITECTURE
1148 Main Street
Cincinnati, OH 45202
ph. 513.621.0750
citystudiosarch.com

advantage
STRUCTURAL ENGINEERS
1527 Madison Road
Cincinnati, OH 45206
513.396.8900
www.advantageSE.com

VIOX & VIOX
Civil Engineers, Surveyors, and Landscape Architects
1600 Springdale Avenue, Cincinnati, OH 45219
Phone: (513) 233-1200 • Fax: (513) 233-1208 • www.viox.com

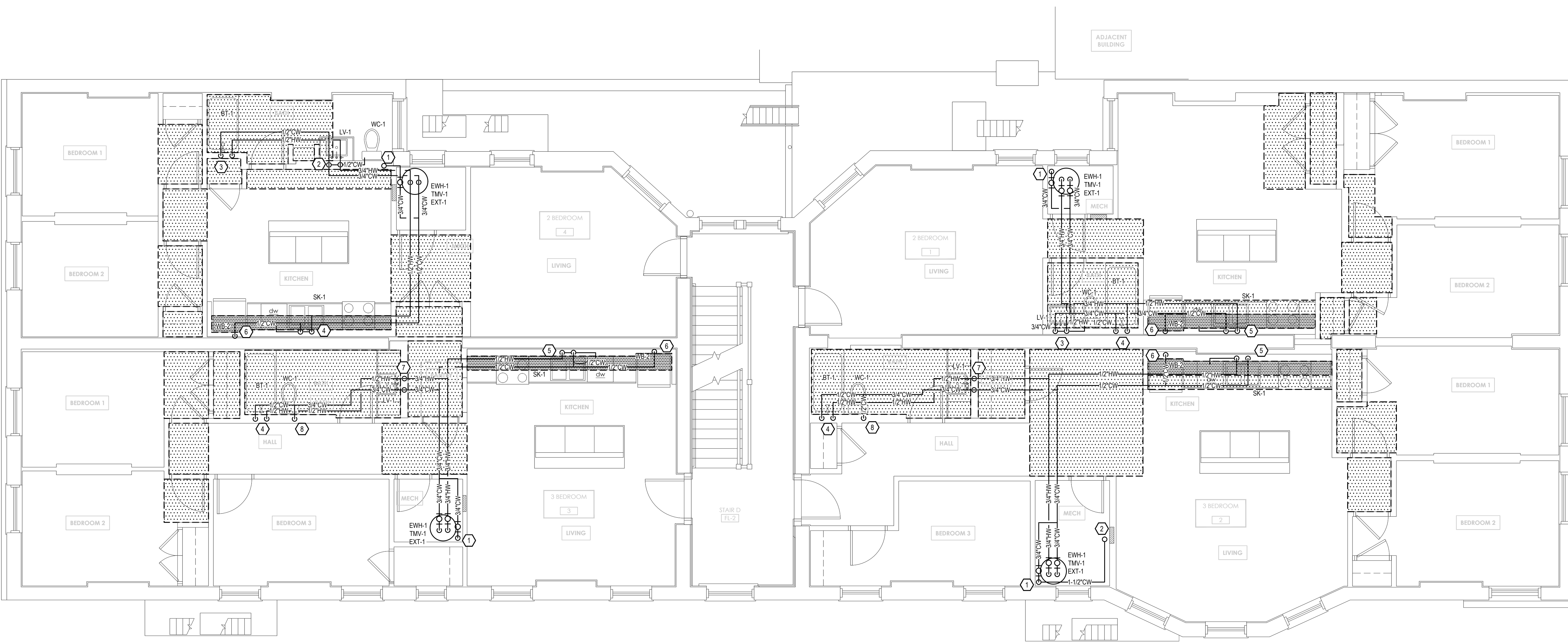
PE Services
CONSULTING FOR THE BUILDING INDUSTRY
1-877-838-3810
www.pestudios.com
9 North Broadway
Lebanon, OH 45046
513-836-3810

RUSS ALLEY
1623 - 1625 VINE STREET, 1624 REPUBLIC STREET
(1625 VINE HPTC APPLICATION)
CINCINNATI, OH 45202

3CDC CINCINNATI CENTER CITY DEVELOPMENT CORPORATION

ISSUE LOG:
04.02.2023
ISSUE FOR PERMIT
09.21.2023
OHFA PRELIM. SUBMISSION

CONTRACTOR NOTE
IT IS THE RESPONSIBILITY OF THE CONTRACTOR TO NOTIFY THE ARCHITECT, LANDLORD AND TENANT OF ANY DISCREPANCIES ENCOUNTERED ON THE PLANS OR IN EXISTING SITE CONDITIONS PRIOR TO SUBMISSION OF BID.
BIDDERS ARE TO VISIT THE SITE AND FAMILIARIZE THEMSELVES WITH EXISTING CONDITIONS AND SATISFY THEMSELVES AS TO THE NATURE AND SCOPE OF THE WORK. THE BASE BID SHALL REFLECT MODIFICATIONS TO SYSTEMS AND DEVICES AS REQUIRED BY STATE, LOCAL AND FEDERAL CODES WHETHER INDICATED OR NOT ON CONTRACT DOCUMENTS. THE SUBMISSIONS OF A BID WILL BE EVIDENCE THAT SUCH AN EXAMINATION AND COMPLIANCE WITH GOVERNING CODES/REQUIREMENTS HAS BEEN MADE. LATER CLAIMS FOR LABOR, EQUIPMENT, OR MATERIALS REQUIRED OR FOR DIFFICULTIES ENCOUNTERED WHICH COULD HAVE BEEN FORESEEN HAD AN EXAMINATION AND CODES/REQUIREMENTS REVIEW BEEN MADE, WILL NOT BE ALLOWED.



SECOND FLOOR WATER PLAN | 1
1/4" = 1'-0" | P2.2



SECOND FLOOR WATER PLAN

P2.2

GENERAL NOTES:

A. HATCHED AREAS INDICATED LOWERED CEILINGS. REFER TO ARCHITECTURAL DRAWINGS FOR MORE INFORMATION.

PLAN NOTES:

1. TYPICAL WATER RISER SERVING ONE BATH UNIT.
2. 1/2" HOT AND 3/4" COLD WATER DOWN. ROUTE 1/2" HOT AND COLD WATER TO LAVATORY AND 1/2" COLD WATER THROUGH WALL TO WATER CLOSET.
3. 1/2" HOT AND COLD WATER DOWN TO SHOWER.
4. 1/2" HOT AND COLD WATER DOWN. ROUTE 1/2" HOT AND COLD WATER TO SINK AND 1/2" HOT WATER TO DISHWASHER.
5. 1/2" COLD WATER DOWN TO ICE MAKER WALL BOX.
6. 1/2" HOT AND COLD WATER DOWN TO LAVATORY.
7. 1/2" COLD WATER DOWN TO WATER CLOSET.

NOT FOR CONSTRUCTION

CITYSTUDIOS ARCHITECTURE
1148 Main Street
Cincinnati, OH 45202
ph. 513.621.0750
citystudiosarch.com

advantage
STRUCTURAL ENGINEERS
1527 Madison Road
Cincinnati, OH 45206
513.396.8900
www.advantageSE.com

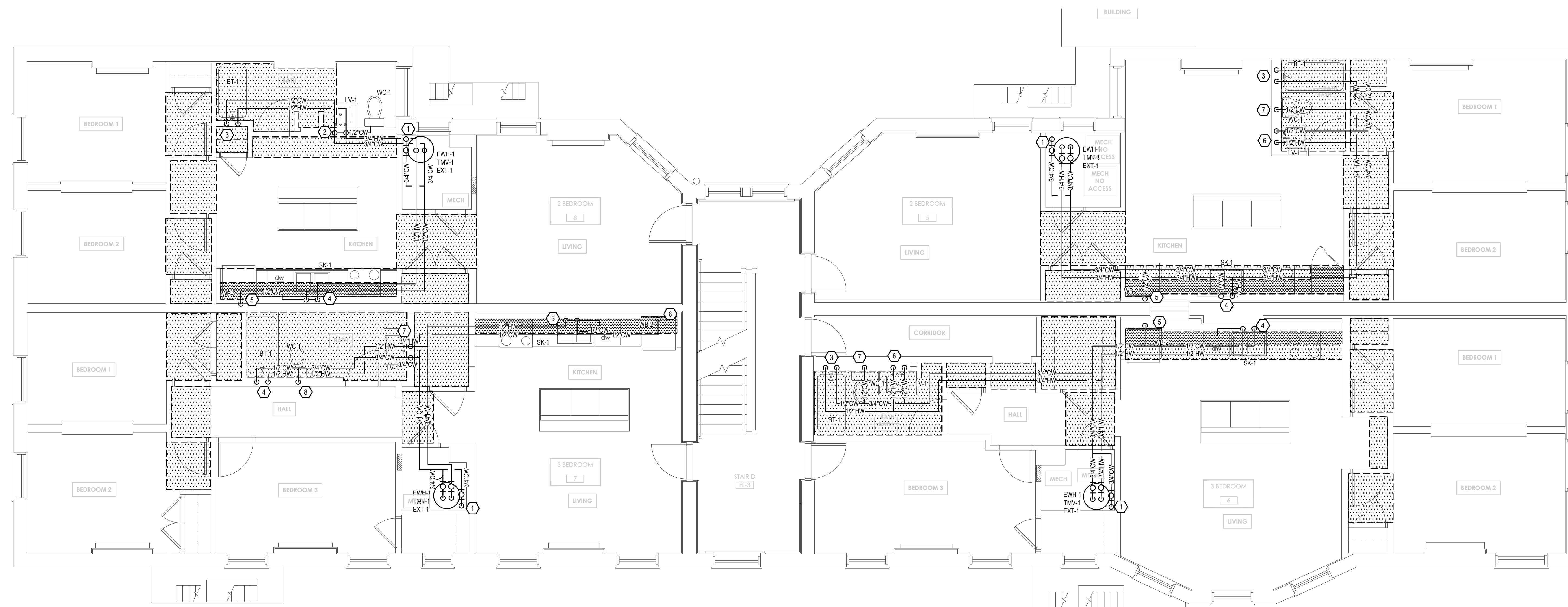
VIOX & VIOX
Civil Engineers, Surveyors, and Landscape Architects
1600 S. Main Street, Suite 1010
Cincinnati, OH 45219
www.vioxandviox.com

PE Services
CONSULTING FOR THE BUILDING INDUSTRY
1-813-888-9910
www.pe-services.com
9 North Broadway
Lebanon, OH 45046
513-836-3810

RUSS ALLEY
1623 - 1625 VINE STREET, 1624 REPUBLIC STREET
(1625 VINE HPTC APPLICATION)
CINCINNATI, OH 45202

3CDC CINCINNATI CENTER CITY DEVELOPMENT CORPORATION

ISSUE LOG:
04.02.2023
ISSUE FOR PERMIT
09.21.2023
OHFA PRELIM. SUBMISSION



THIRD FLOOR WATER PLAN | 1
1/4" = 1'-0" | P2.3



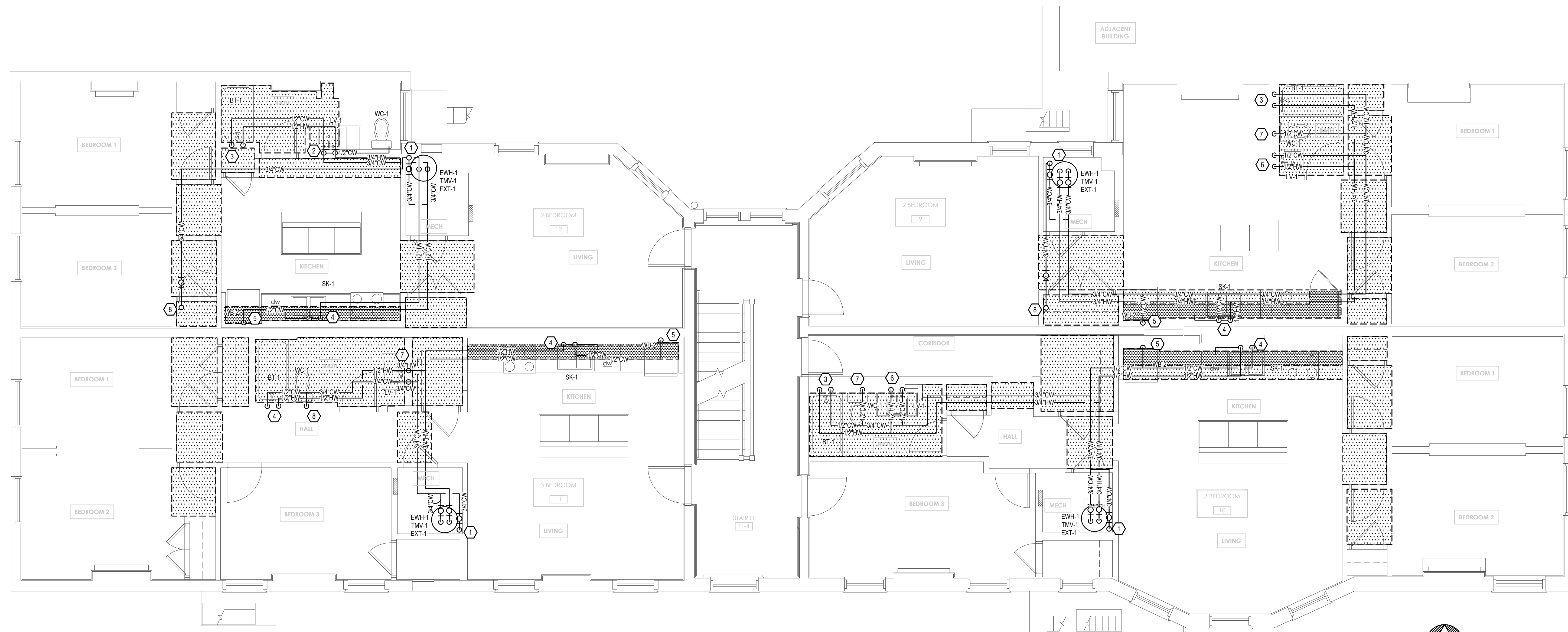
CONTRACTOR NOTE

IT IS THE RESPONSIBILITY OF THE CONTRACTOR TO NOTIFY THE ARCHITECT, LANDLORD AND TENANT OF ANY DISCREPANCIES ENCOUNTERED ON THE PLANS OR IN EXISTING SITE CONDITIONS PRIOR TO SUBMISSION OF BID.

BIDDERS ARE TO VISIT THE SITE AND FAMILIARIZE THEMSELVES WITH EXISTING CONDITIONS AND SATISFY THEMSELVES AS TO THE NATURE AND SCOPE OF THE WORK. THE BASE BID SHALL REFLECT MODIFICATIONS TO SYSTEMS AND DEVICES AS REQUIRED BY STATE, LOCAL AND FEDERAL CODES WHETHER INDICATED OR NOT ON CONTRACT DOCUMENTS. THE SUBMISSIONS OF A BID WILL BE EVIDENCE THAT SUCH AN EXAMINATION AND COMPLIANCE WITH GOVERNING CODES/REQUIREMENTS HAS BEEN MADE. LATER CLAIMS FOR LABOR, EQUIPMENT, OR MATERIALS REQUIRED OR FOR DIFFICULTIES ENCOUNTERED WHICH COULD HAVE BEEN FORESEEN HAD AN EXAMINATION AND CODE/REQUIREMENTS REVIEW BEEN MADE, WILL NOT BE ALLOWED.

THIRD FLOOR WATER PLAN

P2.3



FOURTH FLOOR WATER PLAN | 1
1/4" = 1'-0" | P2.4



GENERAL NOTES:

A. HATCHED AREAS INDICATED LOWERED CEILINGS. REFER TO ARCHITECTURAL DRAWINGS FOR MORE INFORMATION.

PLAN NOTES:

1. TYPICAL WATER RISER SERVING ONE BATH UNIT.
2. 1/2" HOT AND 3/4" COLD WATER DOWN. ROUTE 1/2" HOT AND COLD WATER TO LAVATORY AND 1/2" COLD WATER THROUGH WALL TO WATER CLOSET.
3. 1/2" HOT AND COLD WATER DOWN TO SHOWER.
4. 1/2" HOT AND COLD WATER DOWN. ROUTE 1/2" HOT AND COLD WATER TO SINK AND 1/2" HOT WATER TO DISHWASHER.
5. 1/2" COLD WATER DOWN TO ICE MAKER WALL BOX.
6. 1/2" HOT AND COLD WATER DOWN TO LAVATORY.
7. 1/2" COLD WATER DOWN TO WATER CLOSET.
8. 3/4" COLD WATER UP TO FLOOR ABOVE.

CONTRACTOR NOTE

IT IS THE RESPONSIBILITY OF THE CONTRACTOR TO NOTIFY THE ARCHITECT, LANDLORD AND TENANT OF ANY DISCREPANCIES ENCOUNTERED ON THE PLANS OR IN EXISTING SITE CONDITIONS PRIOR TO SUBMISSION OF BID. BIDDERS ARE TO VISIT THE SITE AND FAMILIARIZE THEMSELVES WITH EXISTING CONDITIONS AND SATISFY THEMSELVES AS TO THE NATURE AND SCOPE OF THE WORK. THE BASE BID SHALL REFLECT MODIFICATIONS TO SYSTEMS AND DEVICES AS REQUIRED BY STATE, LOCAL AND FEDERAL CODES WHETHER INDICATED OR NOT ON CONTRACT DOCUMENTS. THE SUBMISSIONS OF A BID WILL BE EVIDENCE THAT SUCH AN EXAMINATION AND COMPLIANCE WITH GOVERNING CODES/REQUIREMENTS HAS BEEN MADE. LATER CLAIMS FOR LABOR, EQUIPMENT, OR MATERIALS REQUIRED OR FOR DIFFICULTIES ENCOUNTERED WHICH COULD HAVE BEEN FORESEEN HAD AN EXAMINATION AND CODES/REQUIREMENTS REVIEW BEEN MADE, WILL NOT BE ALLOWED.

NOT FOR CONSTRUCTION

CITYSTUDIOS ARCHITECTURE
1148 Main Street
Cincinnati, OH 45202
ph. 513.621.0750
citystudiosarch.com

advantage
STRUCTURAL ENGINEERS
1527 Madison Road
Cincinnati, OH 45206
513.396.8900
www.advantageSE.com

VIOX & VIOX
Civil Engineers, Surveyors, and Landscape Architects
1600 Springdale Avenue, Cincinnati, OH 45219
Phone: (513) 233-1200 • Fax: (513) 233-1208 • www.viox.com

PE Engineering
CONSULTING FOR THE BUILDING INDUSTRY
4-5913-8800-3010
www.pe-engineering.com
9 North Broadway
Lebanon, OH 45046
513-836-3810

RUSS ALLEY
1623 - 1625 VINE STREET, 1624 REPUBLIC STREET
(1625 VINE HPTC APPLICATION)
CINCINNATI, OH 45202

3CDC CINCINNATI CENTER CITY DEVELOPMENT CORPORATION

ISSUE LOG:
04.02.2023
ISSUE FOR PERMIT
09.21.2023
OHFA PRELIM. SUBMISSION

FOURTH FLOOR WATER PLAN

P2.4

PLAN NOTES:

1. PROVIDE HEAT TRACE FOR 3/4" COLD WATER PIPE UP TO ROOF HYDRANT.
2. REFER TO ROOF PLAN ON SHEET P2.6 FOR ADDITIONAL ROOF INFORMATION.

NOT FOR CONSTRUCTION

CITYSTUDIOS ARCHITECTURE
 1148 Main Street
 Cincinnati, OH 45202
 ph. 513.621.0750
 citystudiosarch.com

advantage
 STRUCTURAL ENGINEERS
 1527 Madison Road
 Cincinnati, OH 45206
 513.396.8900
 www.advantageSE.com

VIOX & VIOX
 Civil Engineers, Surveyors, and Landscape Architects
 1000 Riverchase Parkway West, Suite 100
 Atlanta, Georgia 30328
 Phone: 404.271.1000 • Fax: 404.271.1001 • www.viox.com

PE Services
 CONSULTING FOR THE BUILDING INDUSTRY
 9 North Broadway
 Lebanon, OH 45046
 513-836-3810

RUSS ALLEY
 1623 - 1625 VINE STREET, 1624 REPUBLIC STREET
 (1625 VINE HPTC APPLICATION)
 CINCINNATI, OH 45202

3CDC CINCINNATI CENTER CITY DEVELOPMENT CORPORATION

ISSUE LOG:
 04.02.2023
 ISSUE FOR PERMIT
 09.21.2023
 CHFA PRELIM. SUBMISSION



ATTIC WATER PLAN | 1
 1/4" = 1'-0" | P2.5



CONTRACTOR NOTE

IT IS THE RESPONSIBILITY OF THE CONTRACTOR TO NOTIFY THE ARCHITECT, LANDLORD AND TENANT OF ANY DISCREPANCIES ENCOUNTERED ON THE PLANS OR IN EXISTING SITE CONDITIONS PRIOR TO SUBMISSION OF BID.

BIDDERS ARE TO VISIT THE SITE AND FAMILIARIZE THEMSELVES WITH EXISTING CONDITIONS AND SATISFY THEMSELVES AS TO THE NATURE AND SCOPE OF THE WORK. THE BASE BID SHALL REFLECT MODIFICATIONS TO SYSTEMS AND DEVICES AS REQUIRED BY STATE, LOCAL AND FEDERAL CODES WHETHER INDICATED OR NOT ON CONTRACT DOCUMENTS. THE SUBMISSIONS OF A BID WILL BE EVIDENCE THAT SUCH AN EXAMINATION AND COMPLIANCE WITH GOVERNING CODES/REQUIREMENTS HAS BEEN MADE. LATER CLAIMS FOR LABOR, EQUIPMENT, OR MATERIALS REQUIRED OR FOR DIFFICULTIES ENCOUNTERED WHICH COULD HAVE BEEN FORESEEN HAD AN EXAMINATION AND CODES/REQUIREMENTS REVIEW BEEN MADE, WILL NOT BE ALLOWED.

ATTIC WATER PLAN

P2.5

NOT FOR CONSTRUCTION

CITYSTUDIOS ARCHITECTURE
1148 Main Street
Cincinnati, OH 45202
ph. 513.621.0750
citystudiosarch.com

advantage
STRUCTURAL ENGINEERS
1527 Madison Road
Cincinnati, OH 45206
513.396.8900
www.advantageSE.com

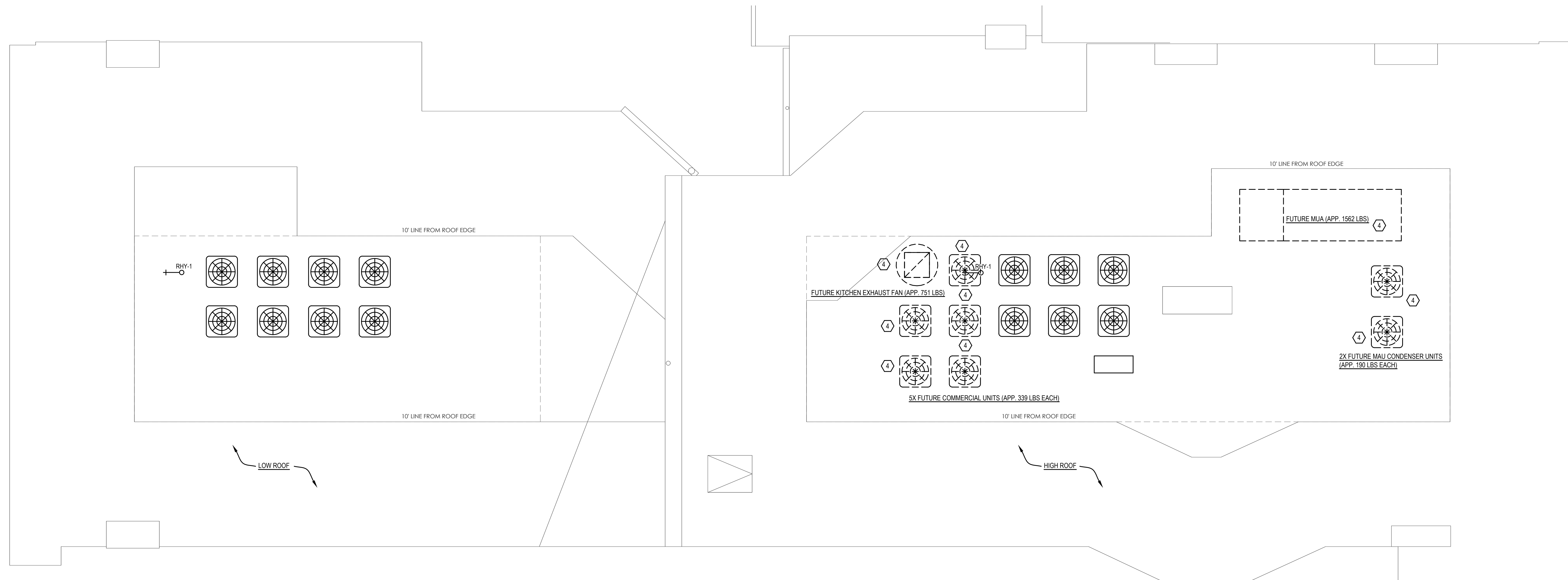
VIOX & VIOX
Civil Engineers, Surveyors, and Landscape Architects
1633 Sycamore Avenue, Cincinnati, OH 45203
PH: 513.251.2224 • FAX: 513.251.2224 • www.viox.com

PE Services
CONSULTING FOR THE BUILDING INDUSTRY
4-513-836-3810
www.PEServices.com
9 North Broadway
Lebanon, OH 45046
513-836-3810

RUSS ALLEY
1623 - 1625 VINE STREET, 1624 REPUBLIC STREET
(1625 VINE HPTC APPLICATION)
CINCINNATI, OH 45202

3CDC CINCINNATI CENTER CITY DEVELOPMENT CORPORATION

ISSUE LOG:
04.02.2023
ISSUE FOR PERMIT
09.21.2023
OHFA PRELIM. SUBMISSION



ROOF WATER PLAN | 1
1/4" = 1'-0" | P2.6



CONTRACTOR NOTE
IT IS THE RESPONSIBILITY OF THE CONTRACTOR TO NOTIFY THE ARCHITECT, LANDLORD AND TENANT OF ANY DISCREPANCIES ENCOUNTERED ON THE PLANS OR IN EXISTING SITE CONDITIONS PRIOR TO SUBMISSION OF BID.
BIDDERS ARE TO VISIT THE SITE AND FAMILIARIZE THEMSELVES WITH EXISTING CONDITIONS AND SATISFY THEMSELVES AS TO THE NATURE AND SCOPE OF THE WORK. THE BASE BID SHALL REFLECT MODIFICATIONS TO SYSTEMS AND DEVICES AS REQUIRED BY STATE, LOCAL AND FEDERAL CODES WHETHER INDICATED OR NOT ON CONTRACT DOCUMENTS. THE SUBMISSIONS OF A BID WILL BE EVIDENCE THAT SUCH AN EXAMINATION AND COMPLIANCE WITH GOVERNING CODES/REQUIREMENTS HAS BEEN MADE. LATER CLAIMS FOR LABOR, EQUIPMENT, OR MATERIALS REQUIRED OR FOR DIFFICULTIES ENCOUNTERED WHICH COULD HAVE BEEN FORESEEN HAD AN EXAMINATION AND CODE/REQUIREMENTS REVIEW BEEN MADE, WILL NOT BE ALLOWED.

ROOF WATER PLAN

P2.6

NOT FOR CONSTRUCTION

CITYSTUDIOS ARCHITECTURE
1148 Main Street
Cincinnati, OH 45202
ph. 513.621.0750
citystudiosarch.com

advantage
STRUCTURAL ENGINEERS
1527 Madison Road
Cincinnati, OH 45206
513.396.8900
www.advantageSE.com

VIOX & VIOX
Civil Engineers, Surveyors, and Landscape Architects
1800 Shiloh Road, Cincinnati, OH 45215
Phone: (513) 233-1234 • Fax: (513) 233-1234 • www.viox.com

PE Services
CONSULTING FOR THE BUILDING INDUSTRY
9 North Broadway
Lebanon, OH 45046
513-836-3810

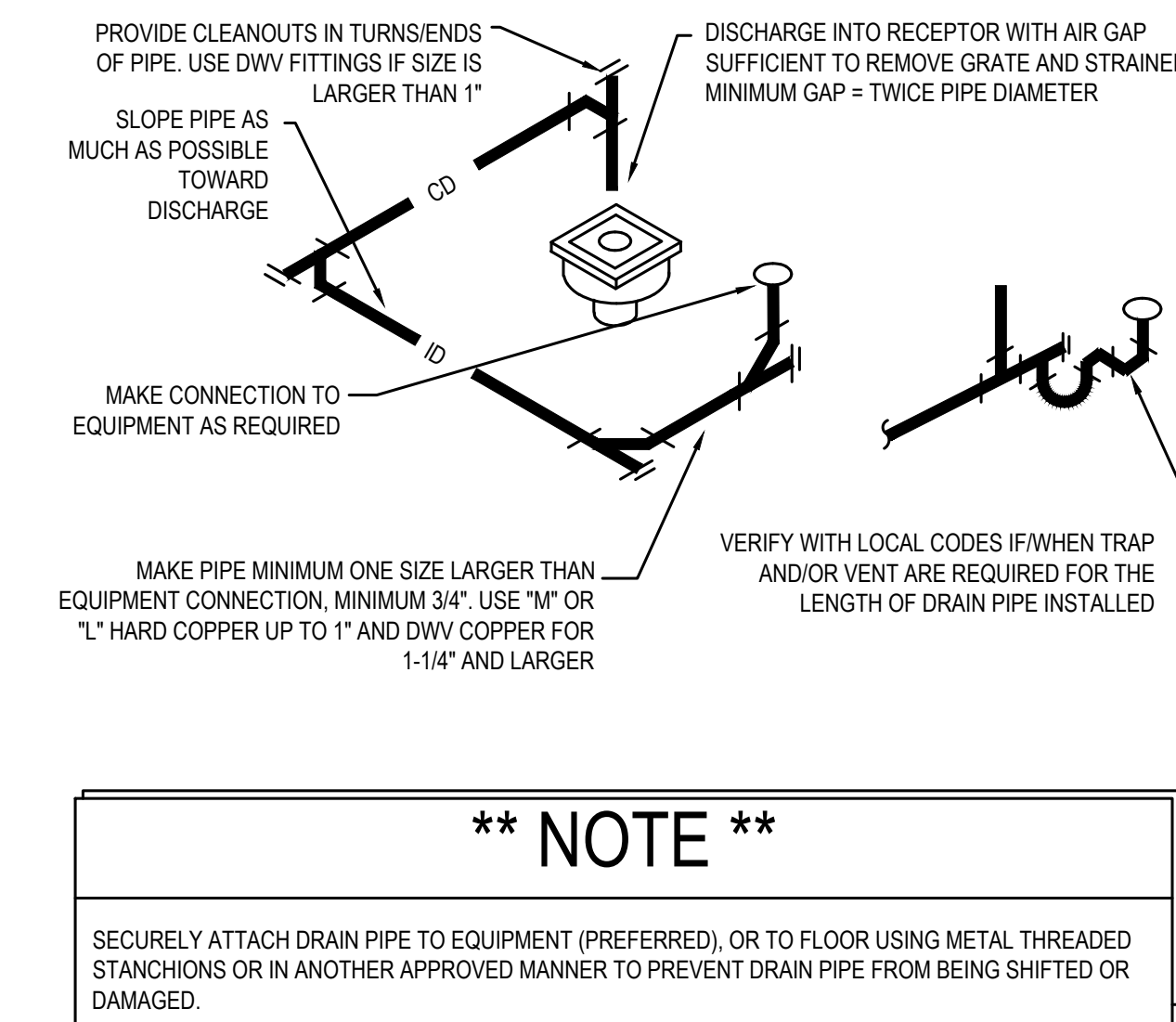
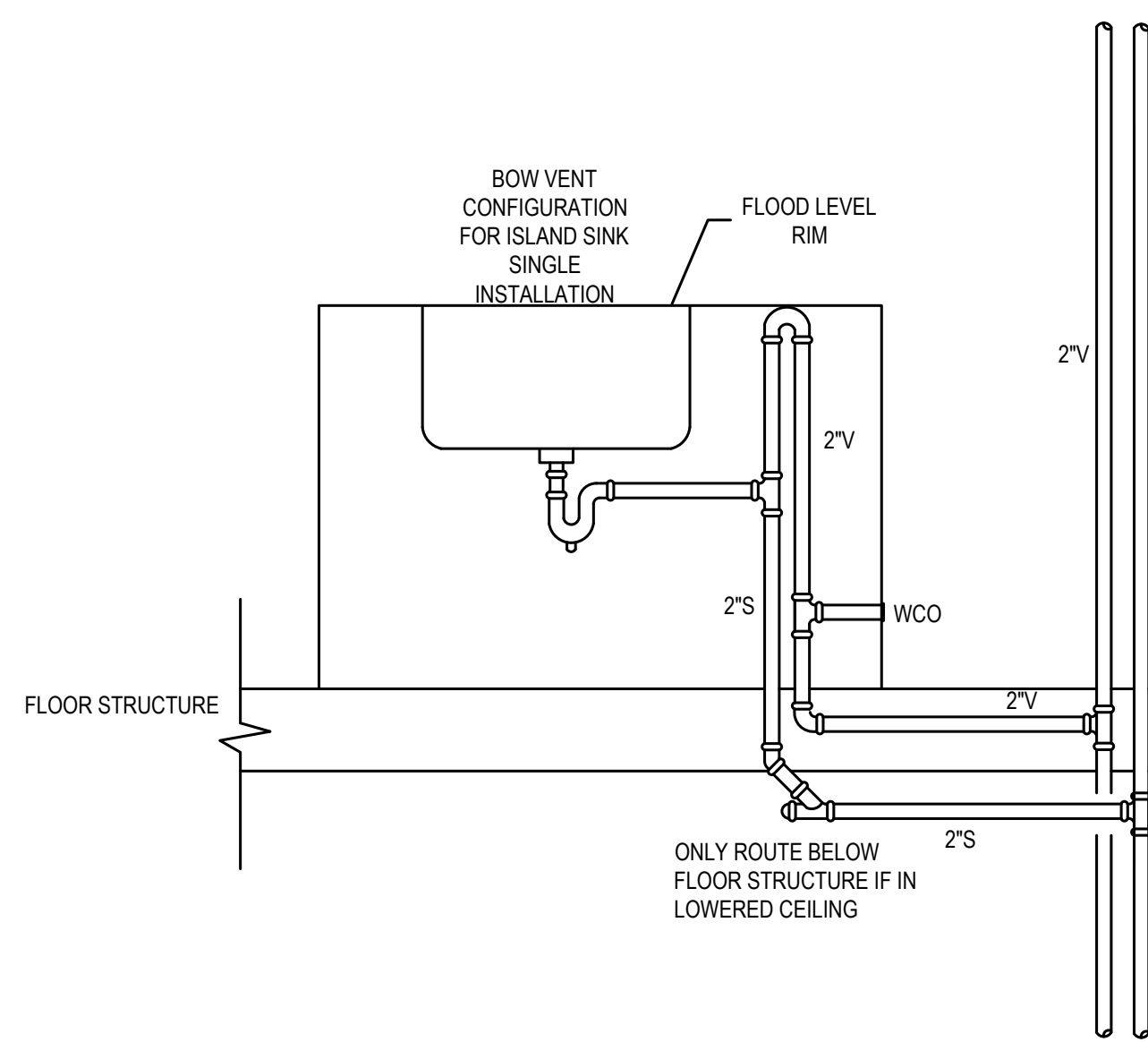
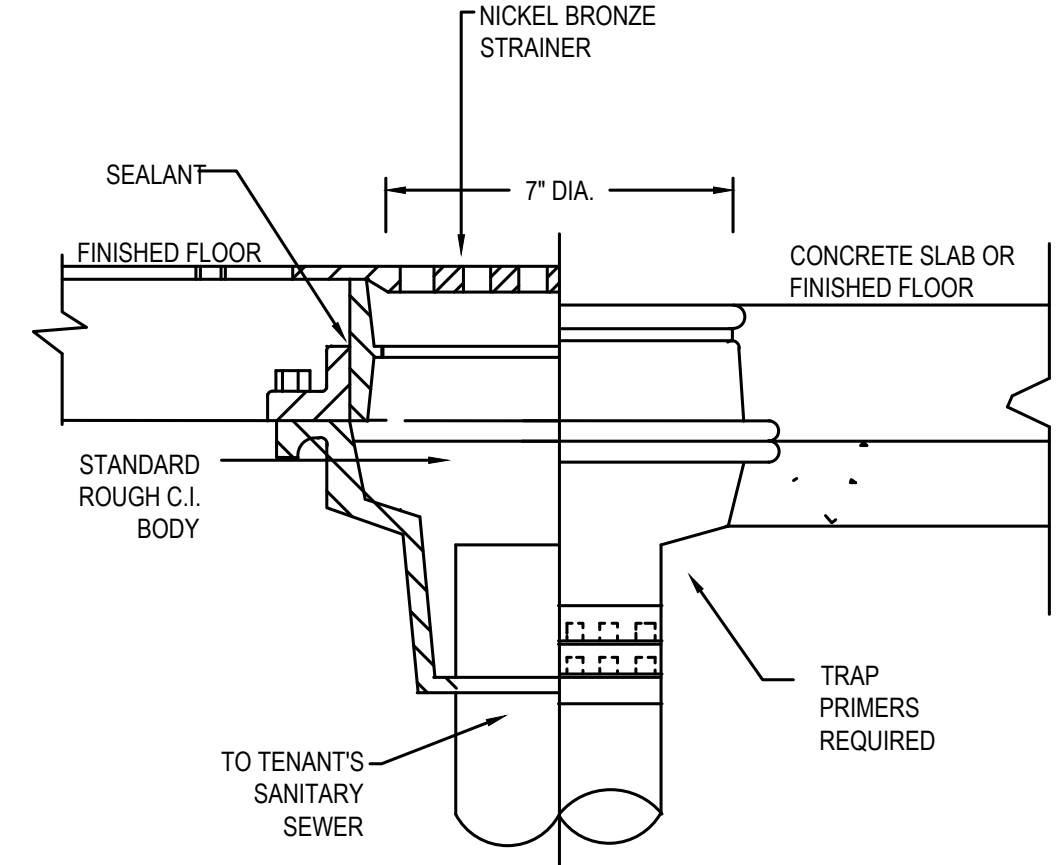
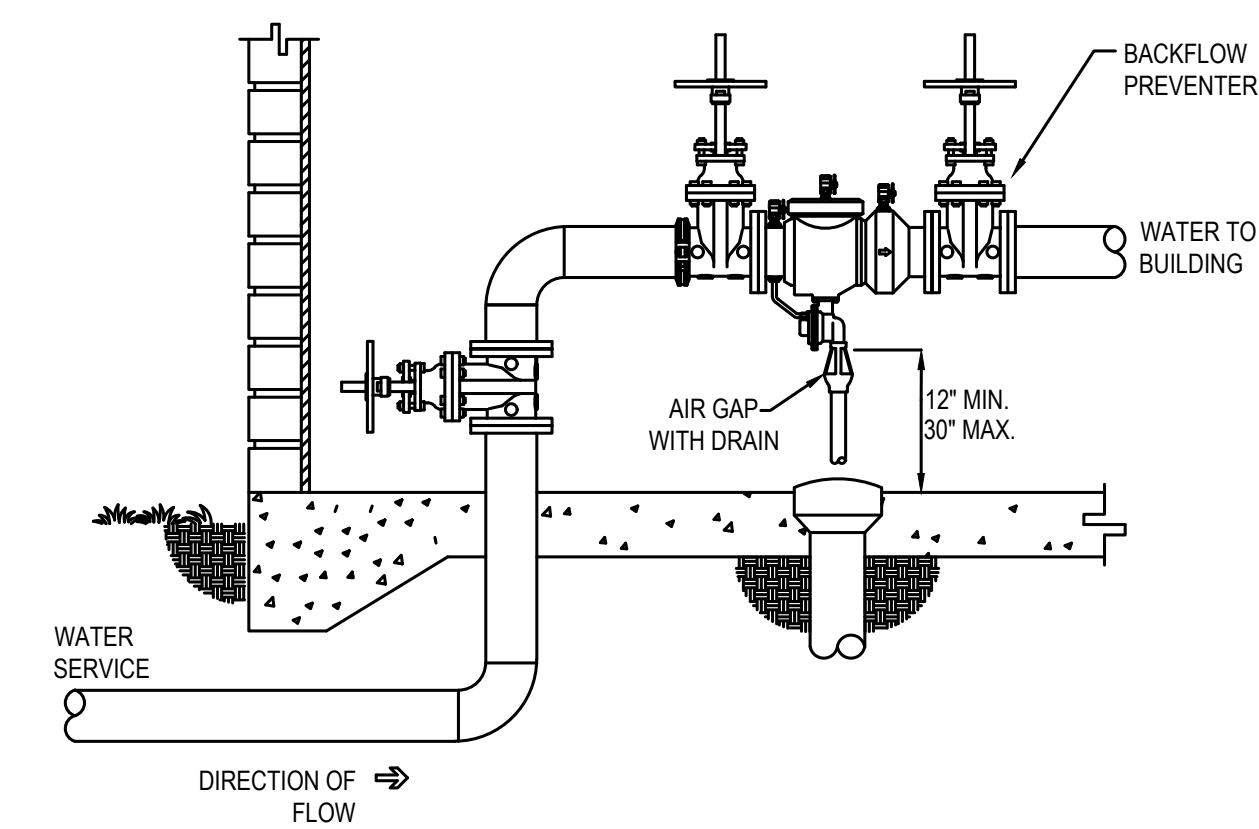
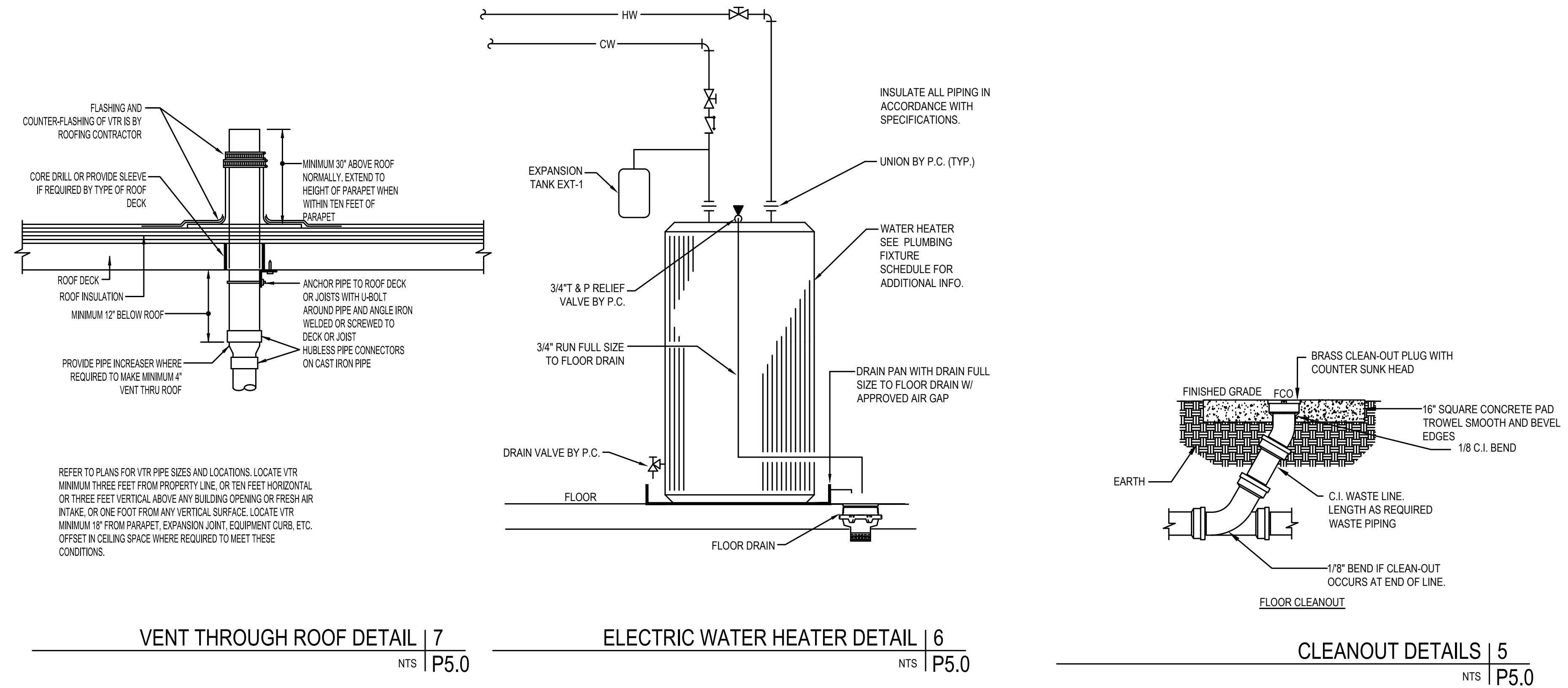
RUSS ALLEY
1623 - 1625 VINE STREET, 1624 REPUBLIC STREET
(1625 VINE HPTC APPLICATION)
CINCINNATI, OH 45202

3CDC CENTER CITY DEVELOPMENT CORPORATION

ISSUE LOG:
04.02.2023
ISSUE FOR PERMIT
09.21.2023
CHFA PRELIM. SUBMISSION

PLUMBING DETAILS

P5.0



CONTRACTOR NOTE
IT IS THE RESPONSIBILITY OF THE CONTRACTOR TO NOTIFY THE ARCHITECT, LANDLORD AND TENANT OF ANY DISCREPANCIES ENCOUNTERED ON THE PLANS OR IN EXISTING SITE CONDITIONS PRIOR TO SUBMISSION OF BID.
BIDDERS ARE TO VISIT THE SITE AND FAMILIARIZE THEMSELVES WITH EXISTING CONDITIONS AND SATISFY THEMSELVES AS TO THE NATURE AND SCOPE OF THE WORK. THE BASE BID SHALL REFLECT MODIFICATIONS TO SYSTEMS AND DEVICES AS REQUIRED BY STATE, LOCAL AND FEDERAL CODES WHETHER INDICATED OR NOT ON CONTRACT DOCUMENTS. THE SUBMISSIONS OF A BID WILL BE EVIDENCE THAT SUCH AN EXAMINATION AND COMPLIANCE WITH GOVERNING CODES/REQUIREMENTS HAS BEEN MADE. LATER CLAIMS FOR LABOR, EQUIPMENT, OR MATERIALS REQUIRED OR FOR DIFFICULTIES ENCOUNTERED WHICH COULD HAVE BEEN FORESEEN HAD AN EXAMINATION AND CODES/REQUIREMENTS REVIEW BEEN MADE, WILL NOT BE ALLOWED.

SPECIALTIES SCHEDULE							
TAG	FIXTURE	DESCRIPTION	PIPING CONNECTIONS		LOCATION	REFERENCE PRODUCT	ACCEPTABLE EQUALS
			INLET	OUTLET			
EXT-1	EXPANSION TANK 2.0 GALLON	SHELL FABRICATED STEEL TO MEET ASME SECT VIII DIV 1 DIAPHRAGM BLADDER, MAXIMUM WORKING PRESSURE IS 150 PSIG, MAXIMUM ALLOWABLE WORKING TEMPERATURE IS 200 F MAX	3/4"	-	WATER HEATERS	AMTROL ST-5	JR SMITH TACO WATTS

NATURAL GAS EQUIPMENT SCHEDULE				
PROJECT NAME:	1625 VINE STREET	PES PROJ. NO.:	22192	
PROJECT ADDRESS:	1625 VINE STREET, CINCINNATI, OHIO 45202			
TOTAL EQUIVALENT LENGTH OF PIPE (IN FEET):	40	PRESSURE DROP:	0.3" W.C.	
DELIVERY PRESSURE (PSI or IN. W.C.):	7" W.C.	SPECIFIC GRAVITY:	0.60	
PIPING MATERIAL:	Sch 40 Black Steel	GAS TYPE:	NATURAL	
EQUIPMENT	MIN. REQ. PRESSURE	LOAD (BTU/HR)		
		NEW	EXISTING	REMOVED
GF-01	7" W.C.	80,000	0	0
TOTAL LOADS (BTU/HR)		80,000	0	0
OLD TOTAL (EXISTING AND REMOVED)		0		
NEW GRAND TOTAL (EXISTING AND NEW)		80,000		
NEW GRAND TOTAL IN CFH		80		

PLUMBING FIXTURE SCHEDULE								
TAG	FIXTURE	DESCRIPTION	FAUCETS/ FITTINGS	TRIM	ACCESSORIES	REFERENCE PRODUCT	ACCEPTABLE EQUALS	
BT-1	BATH TUB 60"x30"	SOLID VIKRELL MATERIAL, HIGH GLOSS FINISH, 2" WAINSCOTT/LE GEDGE, 18" BATH DEPTH, PRESSURE BALANCING VALVE, SINGLE LEVEL HANDLE	BATH SPOUT, KOHLER BANCROFT K-10588 HANDSHOWER, KOHLER BANCROFT K-22176-G	TRANSFER VALVE: KOHLER K-T10595-4 TEMP VALVE: KOHLER K-TS10584-4	TRANSFER VALVE: KOHLER K-737-K-NA TEMP VALVE: KOHLER K-8304-K-NA	STERLING ENSEMBLE 7117110 LEFT HAND DRAIN 71171120 RIGHT HAND DRAIN	AMERICAN STANDARD ELIER	
FC0	FLOOR CLEANOUT	ADJUSTABLE LEVELING FLOOR CLEANOUT, DURA-COATED CAST IRON BODY WITH GAS AND WATER TIGHT ABS TAPERED THREAD PLUG, ROUND SCORIATED SECURED TOP, NO HUB CONNECTION				ZURN Z1400-BZ-NH	JR SMITH WADE WATTS	
FD-1	FLOOR DRAIN FINISHED AREAS	DURA-COATED CAST IRON BODY WITH BOTTOM OUTLET, NICKEL BRONZE TOP, COMBINATION INVERTIBLE MEMBRANE CLAMP AND ADJUSTABLE COLLAR WITH SEEPAGE SLOTS AND TOP ASSEMBLY, EZ1 DRAINAGE SERIES COMPRISED OF CONCRETE SHIELD UP TO 1" OF VERTICAL POST POUR ADJUSTMENT, 1.34" TO 3.14" EXTENSION ADAPTER AVAILABLE				ZURN Z415-BZ1	JR SMITH WADE WATTS	
FD-2	FLOOR DRAIN UTILITY AREAS	DURA-COATED CAST IRON BODY WITH BOTTOM OUTLET, SEEPAGE PAN, MEMBRANE FLASHING CLAMP WITH SEEPAGE SLOTS, ADJUSTABLE EXTENSION FRAME WITH HEAVY-DUTY CAST IRON DEEP FLANGE SLOTTED GRATE				ZURN Z520-NH	JR SMITH WADE WATTS	
FWH-1	FREEZEPROOF WALL HYDRANT ENCASED	ENCASED ECOLOTROL "ANTI-SIPHON" AUTOMATIC DRAINING WALL HYDRANT FOR FLUSH INSTALLATION, NON-FREEZE TYPE INTEGRAL BACKFLOW PREVENTER, BRONZE CASING, ALL BRONZE INTERIOR PARTS, WITH CYLINDER LOCK				ZURN Z1300-34JN-CL	JR SMITH WADE WATTS	
GD-1	GARBAGE DISPOSER	HEAVY DUTY, 1/3 HP MOTOR, GALVANIZED STEEL GRINDING ELEMENTS, STAINLESS STEEL 360 DEGREE SWIVEL LUGS, SELF SERVICE WRENCH				IN-SINK-ERATOR BADGER 1	EAGLE KOHLER WASTE KING	
LV-1	LAVATORY RECTANGULAR	VITREOUS CHINA, UNDERMOUNT, 17" X 13-3/8" RECTANGULAR BOWL, WITH OVERFLOW, ADA COMPLIANT, PROVIDE PIPE PROTECTION IN ADA UNITS	KOHLER ELATE K-99491-4	McGUIRE 165		KOHLER VERTICYL K-8189	AMERICAN STANDARD ELIER	
LV-2	LAVATORY WALL HUNG ADA	VITREOUS CHINA, WALL HUNG, FRONT OVERFLOW, CONCEALED ARM SUPPORTS, 8" OC FAUCET HOLES, FAUCET LEDGE, PROVIDE PIPE PROTECTION	KOHLER JULY K-98146-4	McGUIRE 165	TRUEBRO MODEL 102 TRAP WRAP KIT	KOHLER PINOR K-2035-1	AMERICAN STANDARD ELIER	
RHY-1	SANITARY ROOF HYDRANT	ASSE 1057 LISTED, THE UNIT IS BACKFLOW PROTECTED WITH A FIELD TESTED ASSE 1052 DOUBLE CHECK BACKFLOW PREVENTER, NO DRAIN LINE REQUIRED, 3/4" NPT FEMALE INLET CONNECTION, MAXIMUM WORKING PRESSURE - 100 PSI, MAXIMUM TEMPERATURE - 120 F				WOODFORD SRH-MS	JR SMITH WADE	
SH-1	SHOWER ADA ROLL-IN UNIT	3/4" BARRIER FREE, CHANGE OF LEVEL THRESHOLD WITH PRE-LEVELLED AND REINFORCED SHOWER BASE, TEXTURED FLOOR, ACYLIC, PROVIDE WITH GRAB BARS AND FOLDING SHOWER SEAT	KOHLER BANCROFT K-22176-G	KOHLER K-TS10584-4	KOHLER K-8304-K-NA	FREEDOM APF6238FPAN	AMERICAN STANDARD FLORESTONE	
SH-2	SHOWER PAN 42" x 42"	SOLID VIKRELL MATERIAL, HIGH GLOSS FINISH, PRESSURE BALANCING VALVE, SINGLE LEVEL HANDLE	KOHLER BANCROFT K-22176-G	KOHLER K-TS10584-4	KOHLER K-8304-K-NA	STERLING ENSEMBLE 72151100-0	AMERICAN STANDARD FLORESTONE	
SH-3	SHOWER PAN 60" x 36"	SOLID VIKRELL MATERIAL, HIGH GLOSS FINISH, PRESSURE BALANCING VALVE, SINGLE LEVEL HANDLE	KOHLER BANCROFT K-22176-G	KOHLER K-TS10584-4	KOHLER K-8304-K-NA	STERLING ACCORD 72271100-0	AMERICAN STANDARD FLORESTONE	
SK-1	SINK DOUBLE BOWL UNDERMOUNT 32"x19"x9" DP	18 GAUGE STAINLESS STEEL DOUBLE COMPARTMENT UNDERMOUNT SINK, SELF-RIMMING, HAND BLENDED SATIN FINISH, 3-1/2" DRAIN OPENING, HEAVY DUTY SOUND COATED UNDERSIDE	KOHLER K-596	McGUIRE 165		STERLING MCALLISTER 11444	JUST ELKAY AMERICAN STANDARD	
SK-2	SINK DOUBLE BOWL UNDERMOUNT 33"x22"x9" DP	18 GAUGE STAINLESS STEEL DOUBLE COMPARTMENT UNDERMOUNT SINK, SELF-RIMMING, HAND BLENDED SATIN FINISH, 3-1/2" DRAIN OPENING, 3 HOLE PUNCH, 8" O.C. HEAVY DUTY SOUND COATED UNDERSIDE	KOHLER K-596	McGUIRE 165		ELKAY CROSSTOWN ECTSRAD35226TBG	JUST ELKAY AMERICAN STANDARD	
SK-3	SINK SINGLE BOWL UNDERMOUNT 24"x18"x9" DP	18 GAUGE, 304 STAINLESS STEEL SINGLE COMPARTMENT UNDERMOUNT SINK, ROUNDED BOWL, 3-1/2" DRAIN OPENING, UNIQUE SOUND-DEADENING SYSTEM, UPC CERTIFIED	KOHLER K-596	McGUIRE 165		KOHLER VAULT K-3994	JUST ELKAY AMERICAN STANDARD	
SK-4	SINK SINGLE BOWL UNDERMOUNT 27"x18"x9" DP	18 GAUGE, 304 STAINLESS STEEL SINGLE COMPARTMENT UNDERMOUNT SINK, ROUNDED BOWL, 3-1/2" DRAIN OPENING, UNIQUE SOUND-DEADENING SYSTEM, UPC CERTIFIED	KOHLER K-596	McGUIRE 165		KOHLER CURSIVA K-RH-2876-1-NA	JUST ELKAY AMERICAN STANDARD	
TMV-1	THERMOSTATIC MIXING VALVE MASTER CONTROLLER	THERMOSTATIC TYPE MASTER MIXING CONTROL VALVE, BRONZE BODY CONSTRUCTION WITH CORROSION RESISTANT COMPONENTS, SLIDING PISTON CONTROL MECHANISM, STAINLESS STEEL PISTON AND LINE, UNION END STOPS, ASSE 1017				LAWLER 66-80 40 SPW @ 10 PSI	LEONARD POWERS SYMMONS	
TS-1	TRAP SEAL	WATERLESS INLINE 2" DRAIN TRAP SEAL, HDPE (HIGH DENSITY POLYETHYLENE) HOUSING WITH PROPRIETARY HEAVY DUTY SILICONE DIAPHRAGM AND SOFT EPDM RUBBER SEALING GASKET, FLOOR RATING ASSE 1072 AF GW				RECTORSEAL SS2009V	JR SMITH MIFAB ZURN	
TS-2	TRAP SEAL	WATERLESS INLINE 3" DRAIN TRAP SEAL, HDPE (HIGH DENSITY POLYETHYLENE) HOUSING WITH PROPRIETARY HEAVY DUTY SILICONE DIAPHRAGM AND SOFT EPDM RUBBER SEALING GASKET, FLOOR RATING ASSE 1072 AF GW				RECTORSEAL SS3009V	JR SMITH MIFAB ZURN	
WB-1	WALL BOX	PLASTIC WASHER WALL BOX, WITH SINGLE LEVER VALVE AND INTEGRAL HAMMER ARRESTERS, FIRE RATED, BOX IS PVC RESIN & INTUMESCENT PAD ATTACHED, 1/2" MP / SWEAT CONNECTION, VALVES COMPLY WITH ASME A112.18.1, HAMMER ARRESTERS COMPLY WITH ASSE 1010				GUY GRAY FR12SS		
WB-2	WALL BOX	PLASTIC ICE MAKER OUTLET BOX, WITH LEAD FREE BRASS PLATED QUARTER-TURN BALL VALVE AND INTEGRAL HAMMER ARRESTER, FIRE RATED, BOX IS PVC RESIN & INTUMESCENT PAD ATTACHED, 1/2" MP / SWEAT CONNECTION, VALVES COMPLY WITH NSF / ANSI / Z39 (ANEX G) AND THE U.S. SAFE DRINKING WATER ACT				GUY GRAY FRB124SHWA		
WC-1	WATER CLOSET FLOOR MOUNT TANK TYPE	VITREOUS CHINA, TWO-PIECE, FLOOR MOUNT, TANK TYPE, 16 1/2" HIGH ELONGATED BOWL, CLOSE COUPLED TANK, FULLY GLAZED 2 1/8" TRAPWAY, 1.28 GAL PER FLUSH, POLISHED CHROME TRIP LEVER, 12" ROUGH IN				PROFLO PFTSE2000WH	KOHLER BOWL K-5393 TANK K-9432	PROFLO STERLING
WC-2	WATER CLOSET FLOOR MOUNT TANK TYPE - ADA	VITREOUS CHINA, TWO-PIECE, FLOOR MOUNT, TANK TYPE, 16 1/2" HIGH ELONGATED BOWL, CLOSE COUPLED TANK, FULLY GLAZED 2 1/8" TRAPWAY, 1 GAL PER FLUSH, POLISHED CHROME TRIP LEVER, 12" ROUGH IN				PROFLO PFTSE2000WH	KOHLER K-5296-RA	PROFLO STERLING
WC-3	WATER CLOSET FLOOR MOUNT TANK TYPE - ADA	VITREOUS CHINA, TWO-PIECE, FLOOR MOUNT, TANK TYPE, 16 1/2" HIGH ELONGATED BOWL, CLOSE COUPLED TANK, FULLY GLAZED 2 1/8" TRAPWAY, 1 GAL PER FLUSH, POLISHED CHROME TRIP LEVER, 12" ROUGH IN				PROFLO PFTSCPF2000WH	KOHLER K-5296-RA	PROFLO STERLING

NOTES:
*EXISTING BATHTUB FRAMING DIMENSIONS VARY. CONTRACTOR SHALL FIELD VERIFY EXISTING BATHTUB FRAMING DIMENSIONS AND PROVIDE BATHTUB TO FIT USING BT-1 SPECIFICATION AS BASIS OF DESIGN

BACKFLOW PREVENTER SCHEDULE												
TAG	FIXTURE	DESCRIPTION	PIPING CONNECTIONS			MAX FLOW (GPM)	MAX PRESSURE LOSS (PSI)	DEVICE	LOCATION	EQUIPMENT SERVES	REFERENCE PRODUCT	ACCEPTABLE EQUALS
			IN	OUT	DRAIN							
BFP-1	REDUCED PRESSURE BACKFLOW PREVENTER	ASSE LISTED 1013, 304 STAINLESS STEEL MAIN BODY, TWO INDEPENDENTLY OPERATING SPRING LOADED CHECK VALVES, STAINLESS STEEL SPRINGS, DIAPHRAGM TYPE DIFFERENTIAL PRESSURE RELIEF VALVE, AIR GAP FITTING	3"	3"	2"	72	11		BUILDING 1625 BASMENT	BUILDING 1625 AND BUILDING 1629	WATTS LF009	GRINNEL JOSAM WILKINS

ELECTRIC WATER HEATER SCHEDULE														
TAG	FIXTURE	DESCRIPTION	PIPING CONNECTIONS			ELECTRICAL REQUIREMENTS			TANK CAPACITY (GALLONS)	RECOVERY CAPACITY (GPH)	LOCATION	REFERENCE PRODUCT	ACCEPTABLE EQUALS	
			CW	HW	KW	VOLT	PH	HZ						TEMP
EW-H1	ELECTRIC WATER HEATER TANK TYPE RESIDENTIAL	GLASS LINED TANK, FOAM INSULATED, HEAVY DUTY ANODES, TANK MOUNTED HIGH LIMIT THERMOSTAT, ZINC PLATED COPPER SHEATH, DUAL SCREW-IN HEATING ELEMENTS, CABINET BONDERIZED UNDERCOAT WITH BAKED ENAMEL FINISH, T & P VALVE	3/4"	3/4"	4.5	208	1	60	40	21	90 DEG	ONE BATHROOM UNITS	AO SMITH ENB-40	BRADFORD-WHITE RHEEM STATE
EW-H2	ELECTRIC WATER HEATER TANK TYPE RESIDENTIAL	GLASS LINED TANK, FOAM INSULATED, HEAVY DUTY ANODES, TANK MOUNTED HIGH LIMIT THERMOSTAT, ZINC PLATED COPPER SHEATH, DUAL SCREW-IN HEATING ELEMENTS, CABINET BONDERIZED UNDERCOAT WITH BAKED ENAMEL FINISH, T & P VALVE	3/4"	3/4"	4.5	208	1	60	50	21	90 DEG	TWO BATHROOM UNITS	AO SMITH ENB-50	BRADFORD-WHITE RHEEM STATE
EW-H3	ELECTRIC WATER HEATER TANK TYPE RESIDENTIAL	GLASS LINED TANK, FOAM INSULATED, HEAVY DUTY ANODES, TANK MOUNTED HIGH LIMIT THERMOSTAT, ZINC PLATED COPPER SHEATH, DUAL SCREW-IN HEATING ELEMENTS, CABINET BONDERIZED UNDERCOAT WITH BAKED ENAMEL FINISH, T & P VALVE	3/4"	3/4"	4.5	208	1	60	50	21	90 DEG	BUILDING 1625 BASMENT	AO SMITH DEL-50	BRADFORD-WHITE RHEEM STATE

NOTES:
A) DUAL ELEMENT HEATERS ARE NON-SIMULTANEOUS OPERATION

INSTANTANEOUS WATER HEATER SCHEDULE														
TAG	FIXTURE	DESCRIPTION	PIPING CONNECTIONS			ELECTRICAL REQUIREMENTS			TEMPERATURE RISE		LOCATION	REFERENCE PRODUCT	ACCEPTABLE EQUALS	
			CW	HW	KW	AMPS	VOLT	PH	HZ	GPM				TEMP
IWH-1	ELECTRIC WATER HEATER INSTANTANEOUS SINGLE POINT	ELECTRIC INSTANTANEOUS WATER HEATER, ABS UL RATED COVER, GLASS REINFORCED "NORYL" HEATER BODY AND NI CHROME ELEMENT, REPLACEMENT ELEMENT CARTRIDGE 3/8" COMPRESSION PIPE FITTINGS, WALL MOUNT, WHITE COVER, 3 POUNDS	3/8"	3/8"	4.1	15	208	1	60	0.5	96 DEG	BUILDING 1625 RESTROOM	EEMAX SPEX4277	ARISTON BOSCH CHROMOMATE

CONTRACTOR NOTE
IT IS THE RESPONSIBILITY OF THE CONTRACTOR TO NOTIFY THE ARCHITECT, LANDLORD AND TENANT OF ANY DISCREPANCIES ENCOUNTERED ON THE PLANS OR IN EXISTING SITE CONDITIONS PRIOR TO SUBMISSION OF BID.
BIDDERS ARE TO VISIT THE SITE AND FAMILIARIZE THEMSELVES WITH EXISTING CONDITIONS AND SATISFY THEMSELVES AS TO THE NATURE AND SCOPE OF THE WORK. THE BASE BID SHALL REFLECT MODIFICATIONS TO SYSTEMS AND DEVICES AS REQUIRED BY STATE, LOCAL AND FEDERAL CODES WHETHER INDICATED OR NOT ON CONTRACT DOCUMENTS. THE SUBMISSIONS OF A BID WILL BE EVIDENCE THAT SUCH AN EXAMINATION AND COMPLIANCE WITH GOVERNING CODES/REQUIREMENTS HAS BEEN MADE. LATER CLAIMS FOR LABOR, EQUIPMENT, OR MATERIALS REQUIRED OR FOR DIFFICULTIES ENCOUNTERED WHICH COULD HAVE BEEN FORESEEN HAD AN EXAMINATION AND CODE/REQUIREMENTS REVIEW BEEN MADE, WILL NOT BE ALLOWED.

NOT FOR CONSTRUCTION

CITYSTUDIOS ARCHITECTURE
1148 Main Street
Cincinnati, OH 45202
ph. 513.621.0750
citystudiosarch.com

advantage
STRUCTURAL ENGINEERS
1527 Madison Road
Cincinnati, OH 45206
513.396.8900
www.advantage5E.com

VIÖX&VIÖX
Civil Engineers, Surveyors, and Landscape Architects
1633 Glenview Avenue, Cincinnati, OH 45204
Phone: 513.353.1000 • Fax: 513.353.1008 • www.viox.com

PE CONSULTANTS
9 North Broadway
Lebanon, OH 45046
513-836-3810

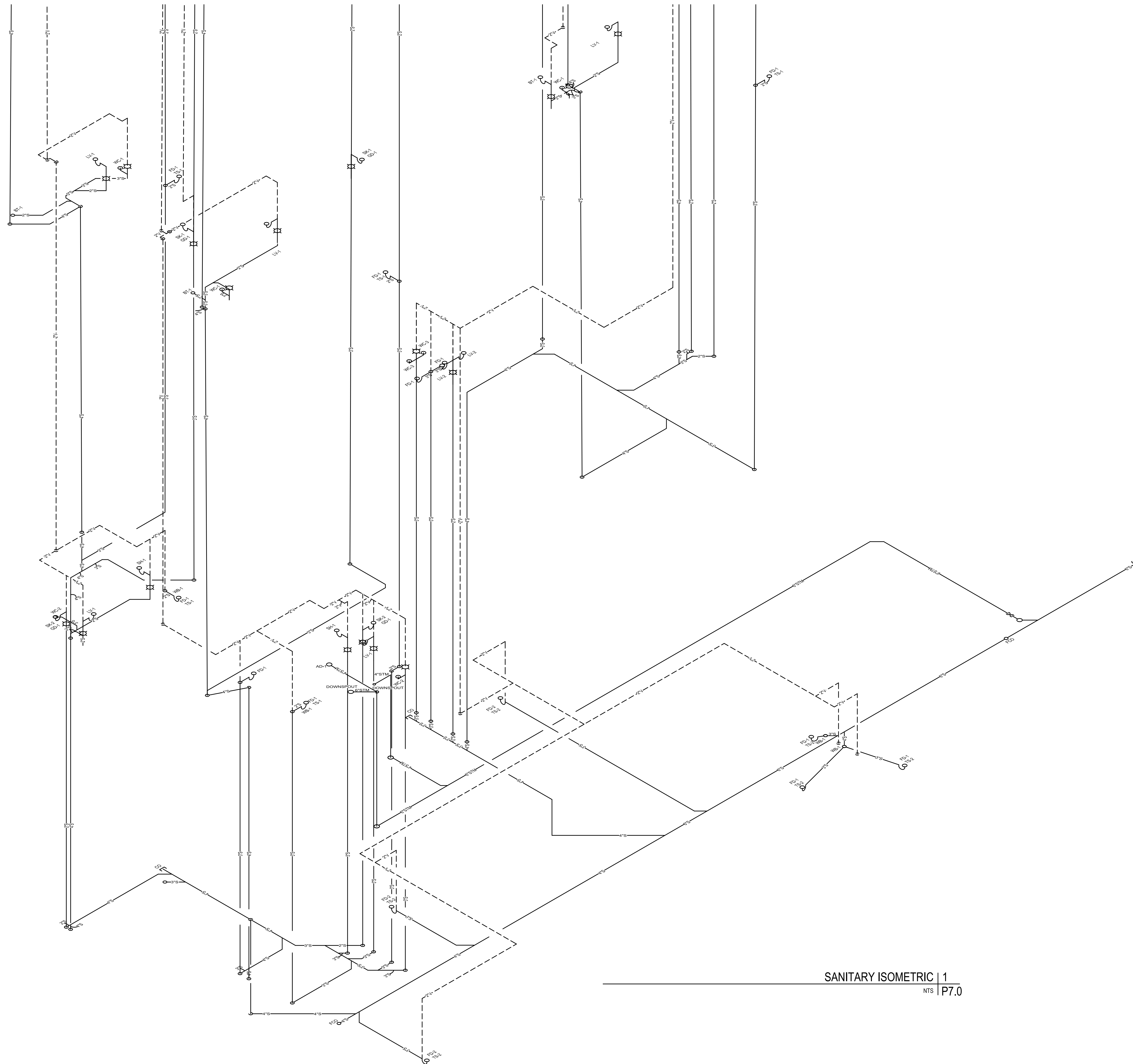
RUSS ALLEY
1623 - 1625 VINE STREET, 1624 REPUBLIC STREET
(1625 VINE HPTC APPLICATION)
CINCINNATI, OH 45202

3CDC CINCINNATI CENTER CITY DEVELOPMENT CORPORATION

ISSUE LOG:
04.02.2023
ISSUE FOR PERMIT
07.14.2023
PERMIT REVISION 1
09.21.2023
CHFA PRELIM. SUBMISSION

PLUMBING SCHEDULES

P6.0



SANITARY ISOMETRIC | 1
NTS | P7.0

CONTRACTOR NOTE
 IT IS THE RESPONSIBILITY OF THE CONTRACTOR TO NOTIFY THE ARCHITECT, LANDLORD AND TENANT OF ANY DISCREPANCIES ENCOUNTERED ON THE PLANS OR IN EXISTING SITE CONDITIONS PRIOR TO SUBMISSION OF BID.
 BIDDERS ARE TO VISIT THE SITE AND FAMILIARIZE THEMSELVES WITH EXISTING CONDITIONS AND SATISFY THEMSELVES AS TO THE NATURE AND SCOPE OF THE WORK. THE BASE BID SHALL REFLECT MODIFICATIONS TO SYSTEMS AND DEVICES AS REQUIRED BY STATE, LOCAL AND FEDERAL CODES WHETHER INDICATED OR NOT ON CONTRACT DOCUMENTS. THE SUBMISSIONS OF A BID WILL BE EVIDENCE THAT SUCH AN EXAMINATION AND COMPLIANCE WITH GOVERNING CODES/REQUIREMENTS HAS BEEN MADE. LATER CLAIMS FOR LABOR, EQUIPMENT, OR MATERIALS REQUIRED OR FOR DIFFICULTIES ENCOUNTERED WHICH COULD HAVE BEEN FORESEEN HAD AN EXAMINATION AND CODE/REQUIREMENTS REVIEW BEEN MADE, WILL NOT BE ALLOWED.

NOT FOR
CONSTRUCTION

CITYSTUDIOS
ARCHITECTURE
1148 Main Street
Cincinnati, OH 45202
ph. 513.621.0750
citystudiosarch.com

advantage
STRUCTURAL ENGINEERS
1527 Madison Road
Cincinnati, OH 45206
513.396.8900
www.advantageSE.com

VIOX & VIOX
Civil Engineers, Surveyors, and Landscape Architects
1600 S. Main Street, Suite 1000
Cincinnati, OH 45219
www.vioxandviox.com

PE Services
CONSULTING FOR THE BUILDING INDUSTRY
414.836.8810
www.pe-services.com
9 North Broadway
Lebanon, OH 45046
513.836.3810

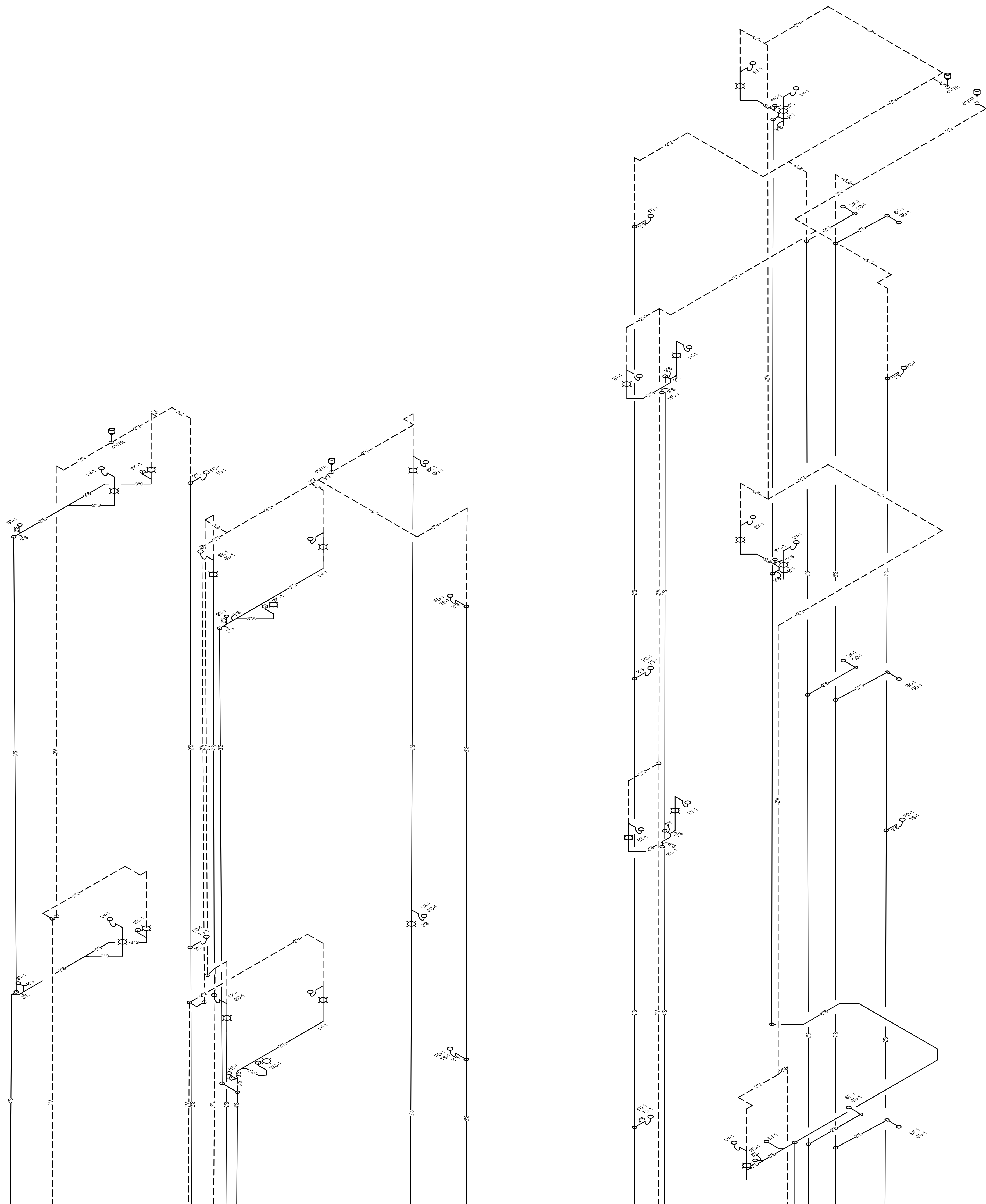
RUSS ALLEY
1623 - 1625 VINE STREET, 1624 REPUBLIC STREET
(1625 VINE HPTC APPLICATION)
CINCINNATI, OH 45202

3CDC CINCINNATI CENTER CITY DEVELOPMENT CORPORATION

ISSUE LOG:
04.02.2023
ISSUE FOR PERMIT
09.21.2023
CHFA PRELIM. SUBMISSION

SANITARY
ISOMETRIC

P7.0



SANITARY ISOMETRIC | 1
NTS | P7.1

CONTRACTOR NOTE
 IT IS THE RESPONSIBILITY OF THE CONTRACTOR TO NOTIFY THE ARCHITECT, LANDLORD AND TENANT OF ANY DISCREPANCIES ENCOUNTERED ON THE PLANS OR IN EXISTING SITE CONDITIONS PRIOR TO SUBMISSION OF BID.
 BIDDERS ARE TO VISIT THE SITE AND FAMILIARIZE THEMSELVES WITH EXISTING CONDITIONS AND SATISFY THEMSELVES AS TO THE NATURE AND SCOPE OF THE WORK. THE BASE BID SHALL REFLECT MODIFICATIONS TO SYSTEMS AND DEVICES AS REQUIRED BY STATE, LOCAL AND FEDERAL CODES WHETHER INDICATED OR NOT ON CONTRACT DOCUMENTS. THE SUBMISSIONS OF A BID WILL BE EVIDENCE THAT SUCH AN EXAMINATION AND COMPLIANCE WITH GOVERNING CODES/REQUIREMENTS HAS BEEN MADE. LATER CLAIMS FOR LABOR, EQUIPMENT, OR MATERIALS REQUIRED OR FOR DIFFICULTIES ENCOUNTERED WHICH COULD HAVE BEEN FORESEEN HAD AN EXAMINATION AND CODE/REQUIREMENTS REVIEW BEEN MADE, WILL NOT BE ALLOWED.

NOT FOR CONSTRUCTION

CITYSTUDIOS ARCHITECTURE
 1148 Main Street
 Cincinnati, OH 45202
 ph. 513.621.0750
 citystudiosarch.com

advantage
 STRUCTURAL ENGINEERS
 1527 Madison Road
 Cincinnati, OH 45206
 513.396.8900
 www.advantageSE.com

VIOX & VIOX
 Civil Engineers, Surveyors, and Landscape Architects
 1000 Riverchase Drive, Suite 100
 Cincinnati, OH 45240
 Phone: (513) 233-1234 • Fax: (513) 233-1234 • www.viox.com

PE Services
 CONSULTING FOR THE BUILDING INDUSTRY
 9 North Broadway
 Lebanon, OH 45046
 513-836-3810

RUSS ALLEY
 1623 - 1625 VINE STREET, 1624 REPUBLIC STREET
 (1625 VINE HPTC APPLICATION)
 CINCINNATI, OH 45202

3CDC CINCINNATI CENTER CITY DEVELOPMENT CORPORATION

ISSUE LOG:
 04.02.2023
 ISSUE FOR PERMIT
 09.21.2023
 CHFA PRELIM. SUBMISSION

SANITARY ISOMETRIC

P7.1

1. GENERAL

A. THE GENERAL CONDITIONS OF THE CONTRACT FOR CONSTRUCTION LATEST EDITION AND THESE SPECIFICATIONS AS APPLICABLE ARE PART OF THIS CONTRACT.

B. ALL APPLICABLE CODES, LAWS AND REGULATIONS GOVERNING OR RELATING TO ANY PORTION OF THIS WORK ARE HEREBY INCORPORATED INTO AND MADE A PART OF THESE SPECIFICATIONS, AND THEIR PROVISIONS SHALL BE CARRIED OUT BY THE CONTRACTOR WHO SHALL INFORM THE OWNER, PRIOR TO SUBMITTING A PROPOSAL, OF ANY WORK OR MATERIAL WHICH VIOLATES ANY OF THE ABOVE LAWS AND REGULATIONS. ANY WORK DONE BY THE CONTRACTOR CAUSING SUCH VIOLATION SHALL BE CORRECTED BY THE CONTRACTOR.

C. INVESTIGATE EACH SPACE THROUGH WHICH EQUIPMENT MUST BE MOVED, WHERE NECESSARY, EQUIPMENT SHALL BE SHIPPED FROM MANUFACTURER IN SECTIONS OF SIZE SUITABLE FOR MOVING THROUGH AVAILABLE RESTRICTIVE SPACES. ASCERTAIN FROM BUILDING OWNER AND TENANT AT WHAT TIMES OF DAY EQUIPMENT MAY BE MOVED THROUGH ALL AREAS.

D. DRAWINGS ARE DIAGRAMMATIC AND INDICATE GENERAL ARRANGEMENT OF SYSTEMS AND WORK. PIPE ROUTING IS SHOWN DIAGRAMMATICALLY AND DOES NOT SHOW ALL OFFSETS, DROPS AND RISES OF RUNS. THE CONTRACTOR SHALL ALLOW IN HIS PRICE FOR ROUTING OF PIPE TO AVOID OBSTRUCTIONS. COORDINATION WITH THE EXISTING SERVICES, INCLUDING THOSE OF OTHER TRADES IS REQUIRED. MAINTAIN HEADROOM AND SPACE CONDITIONS.

E. INSTALL WORK SO AS TO BE READILY ACCESSIBLE FOR OPERATION, MAINTENANCE AND REPAIR. MINOR DEVIATIONS FROM DRAWINGS MAY BE MADE TO ACCOMPLISH THIS, BUT CHANGES WHICH INVOLVE EXTRA COST SHALL NOT BE MADE WITHOUT APPROVAL.

F. THE CONTRACTOR SHALL KEEP ALL EQUIPMENT AND MATERIALS, AND ALL PARTS OF THE BUILDING, EXTERIOR SPACES AND ADJACENT STREETS, SIDEWALKS AND PAVEMENTS, FREE FROM MATERIAL AND DEBRIS RESULTING FROM THE EXECUTION OF THIS WORK. EXCESS MATERIALS WILL NOT BE PERMITTED TO ACCUMULATE EITHER ON THE INTERIOR OR THE EXTERIOR.

G. SEAL OPENINGS THROUGH PARTITIONS, WALLS AND FLOORS WITH A U.L.-LISTED FIRESTOPPING ASSEMBLY MATCHED TO THE RATING OF THE PENETRATED ELEMENT.

H. PROVIDE ALL NECESSARY FLASHING AND COUNTER-FLASHING TO MAINTAIN THE WATERPROOFING INTEGRITY OF THIS BUILDING AS REQUIRED BY THE INSTALLATION OR REMOVAL OF PIPING AND EQUIPMENT. PROVIDE EQUIPMENT CURBS AS REQUIRED.

I. ALL PRESENT MATERIAL, EQUIPMENT AND CONSTRUCTION DEBRIS TO BE REMOVED UNDER THIS CONTRACT SHALL BECOME THE PROPERTY OF THE CONTRACTOR WITH THE EXCEPTION OF SPECIFIC EQUIPMENT AND APPARATUS REQUESTED BY THE BUILDING REPRESENTATIVE. ARCHITECT OR AS NOTED TO BE RELOCATED ON THE DRAWINGS. REMOVED EQUIPMENT SHALL BE PROPERLY DISPOSED OF BY THIS CONTRACTOR, OR AS DIRECTED BY THE OWNER.

J. MATERIALS AND WORKMANSHIP, UNLESS OTHERWISE NOTED, SHALL BE IN ACCORDANCE WITH BUILDING STANDARDS.

K. THE WORK IN THE BUILDING SHALL BE DONE WHEN AND AS DIRECTED, AND IN A MANNER SATISFACTORY TO THE OWNER. THE WORK SHALL BE PERFORMED SO AS TO CAUSE THE LEAST POSSIBLE INCONVENIENCE AND DISTURBANCE TO THE PRESENT OCCUPANTS.

L. THE CONTRACTOR'S PROPOSAL FOR ALL WORK SHALL BE PREDICATED ON THE PERFORMANCE OF THE WORK DURING REGULAR WORKING HOURS. WHEN SO DIRECTED, HOWEVER, THE CONTRACTOR SHALL INSTALL WORK IN OVERTIME AND THE ADDITIONAL COST TO BE CHARGED THEREFORE SHALL BE ONLY THE "PREMIUM" PORTION OF THE WAGES PAID.

M. UNLESS OTHERWISE SPECIFICALLY SPECIFIED, INCLUDE ALL CUTTING AND PATCHING OF EXISTING FLOORS, WALLS, PARTITIONS AND OTHER MATERIALS IN THE EXISTING BUILDING. THE CONTRACTOR SHALL RESTORE THESE AREAS TO ORIGINAL CONDITION.

N. ALL MATERIAL AND EQUIPMENT TO BE NEW UNLESS OTHERWISE NOTED AND SHALL BE IN ACCORDANCE WITH BUILDING STANDARDS.

1) ALL MATERIAL AND EQUIPMENT ON SITE SHALL BE PROPERLY STORED SUCH THAT IT IS PROTECTED FROM DAMAGE AND EXPOSURE TO OUTSIDE ELEMENTS.

S. SUBMISSION OF A PROPOSAL SHALL BE CONSTRUED AS EVIDENCE THAT A CAREFUL EXAMINATION OF THE PORTIONS OF THE EXISTING BUILDING, EQUIPMENT, ETC., WHICH AFFECT THIS WORK, AND THE ACCESS TO SUCH SPACES, HAS BEEN MADE AND THAT THE CONTRACTOR IS FAMILIAR WITH EXISTING CONDITIONS AND DIFFICULTIES THAT WILL AFFECT THE EXECUTION OF THE WORK. THE CONTRACTOR IS RESPONSIBLE TO INDICATE ANY DISCREPANCIES BETWEEN THE CONTRACT DRAWINGS AND ACTUAL FIELD CONDITIONS PRIOR TO SUBMITTAL OF BID. SUBMISSION OF A PROPOSAL WILL BE CONSTRUED AS EVIDENCE THAT SUCH AN EXAMINATION HAS BEEN MADE. LATER CLAIMS SHALL NOT BE MADE FOR LABOR, EQUIPMENT OR MATERIALS REQUIRED BECAUSE OF DIFFICULTIES ENCOUNTERED WHICH COULD HAVE BEEN FORESEEN DURING SUCH AN EXAMINATION. THE ON-SITE INSPECTION SHALL VERIFY EXISTING PIPE SIZES, CLEARANCES, ETC. AND CONDITIONS.

T. INSURANCE: PROVIDE IN ACCORDANCE WITH BUILDING REQUIREMENTS AND POLICY SHALL INCLUDE A HOLD HARMLESS CLAUSE FOR OWNER AND ENGINEER.

U. THE FINAL ACCEPTANCE WILL BE MADE AFTER THE CONTRACTOR HAS ADJUSTED HIS EQUIPMENT, TESTED THE VARIOUS SYSTEMS, DEMONSTRATED THAT IT FULFILLS THE REQUIREMENTS OF THE DRAWINGS AND SPECIFICATIONS AND HAS FURNISHED ALL THE REQUIRED CERTIFICATES OF INSPECTION AND APPROVAL.

2. SCOPE OF WORK

A. SCOPE OF WORK SHALL CONSIST OF PROVIDING LABOR, MATERIALS, EQUIPMENT, SERVICES AND FEES NECESSARY FOR COMPLETE AND SAFE INSTALLATION IN CONFORMITY WITH THE STATE OF JURISDICTION BUILDING CODE AND ALL OTHER APPLICABLE INDUSTRY, NATIONAL AND LOCAL CODES AND AUTHORITIES HAVING JURISDICTION, AS INDICATED ON DRAWINGS AND HEREIN SPECIFIED.

B. THE CONTRACTOR SHALL PROVIDE A COMPLETE FIRE PROTECTION SYSTEM DESIGN. THE CONTRACTOR SHALL PROVIDE SIGNED AND SEALED CONSTRUCTION DOCUMENTS AS REQUIRED FOR PERMITTING AND FOR CONSTRUCTION.

C. THE BASE BUILDING DRAWINGS, PLANS, DETAILS, SPECIFICATIONS AND SPECIFICATION ADDENDA ARE MADE PART OF THIS CONTRACT AND SHALL APPLY TO ALL WORK UNDER THE CONTRACT UNLESS OTHERWISE AMENDED, MODIFIED, SUPPLEMENTED OR SPECIFIED HEREIN.

D. THE CONTRACTOR SHALL FURNISH A WRITTEN GUARANTEE TO REPLACE OR REPAIR PROMPTLY AND ASSUME RESPONSIBILITY FOR ALL EXPENSES INCURRED FOR ANY WORKMANSHIP AND EQUIPMENT IN WHICH DEFECTS DEVELOP WITHIN ONE YEAR FROM THE DATE OF FINAL CERTIFICATE FOR PAYMENT AND/OR FROM DATE OF ACTUAL USE OF EQUIPMENT OR BENEFICIAL OCCUPANCY OF SPACES BY OWNER INCLUDED UNDER THE VARIOUS PARTS OF THE WORK, WHICHEVER DATE IS EARLIER. THIS WORK SHALL BE DONE AS DIRECTED BY THE OWNER. THIS GUARANTEE SHALL ALSO PROVIDE THAT WHERE DEFECTS OCCUR, THE CONTRACTOR WILL ASSUME RESPONSIBILITY FOR ALL EXPENSES INCURRED IN REPAIRING AND RE-APPLYING WORK OF OTHER TRADES AFFECTED BY DEFECTS, REPAIRS OR REPLACEMENTS IN EQUIPMENT SUPPLIED BY THE CONTRACTOR.

E. THE CONTRACTOR SHALL GIVE NECESSARY NOTICE, FILE DRAWINGS AND SPECIFICATIONS WITH THE DEPARTMENT HAVING JURISDICTION, OBTAIN PERMITS OR LICENSES NECESSARY TO CARRY OUT THIS WORK AND PAY

ALL FEES THEREFORE. THE CONTRACTOR SHALL ARRANGE FOR INSPECTION AND TESTS OF ANY OR ALL PARTS OF THE WORK IF SO REQUIRED BY AUTHORITIES AND PAY ALL CHARGES FOR SAME. THE CONTRACTOR SHALL PAY ALL COSTS FOR, AND FURNISH TO THE OWNER BEFORE FINAL BILLING, ALL CERTIFICATES NECESSARY AS EVIDENCE THAT THE WORK INSTALLED CONFORMS WITH ALL REGULATIONS WHERE THEY APPLY TO THIS WORK. THE CONTRACTOR SHALL OBTAIN ALL NECESSARY AND REQUIRED SIGN-OFFS AND APPROVALS FOR THE WORK INSTALLED.

3. SHOP DRAWINGS

A. PRIOR TO THE INSTALLATION OF ANY WORK AND PROCUREMENT OF EQUIPMENT PROVIDE COMPLETE SET OF COORDINATED SHOP DRAWINGS OF ALL NEW AND EXISTING EQUIPMENT, INDICATING CAPACITY DIMENSIONS AND SEQUENCE OF OPERATION FOR WRITTEN APPROVAL BY THE ARCHITECT AND ENGINEER.

B. INDICATE ON EACH SHOP DRAWINGS SUBMITTED:

- 1) PROJECT NAME AND LOCATION.
- 2) NAME OF ARCHITECT AND ENGINEER.
- 3) ITEM IDENTIFICATION.
- 4) APPROVAL STAMP OF PRIME CONTRACTOR.
- 5) SUBMISSIONS:

C. SUBMISSIONS 11 IN. X 17 IN. OR SMALLER: IF THE SUBMISSION IS A CATALOG CUT, THEN THE CONTRACTOR SHALL SUBMIT ONE ORIGINAL AND TWO COPIES, OTHERWISE, HE SHALL SUBMIT THREE COPIES. THE ARCHITECT WILL FORWARD THE ORIGINAL AND ONE COPY (TWO COPIES WHEN NO ORIGINAL IS RECEIVED) TO THE ENGINEER. ALL CATALOG CUTS SHALL BE COMPLETE.

2) SUBMISSIONS LARGER THAN 11 IN. X 17 IN.: SUBMIT TWO PRINTS AND ONE PAPER SEPIA TO THE ARCHITECT. THE ARCHITECT WILL FORWARD ONE PRINT AND THE PAPER SEPIA TO THE ENGINEER.

D. SUBMIT SHOP DRAWINGS FOR THE FOLLOWING:

- 1) PIPE AND FITTINGS.
- 2) SPRINKLER HEADS AND ACCESSORIES.
- 3) PIPING LAYOUTS.
- 4) HYDRAULIC CALCULATIONS.
- 5) SUPPORTS, HANGERS AND GUIDES.
- 6) SPARE SPRINKLER CABINET.

4. AS-BUILT DRAWINGS AND EQUIPMENT OPERATIONAL INSTRUCTIONS.

A. UPON COMPLETION AND ACCEPTANCE OF WORK, CONTRACTOR SHALL FURNISH WRITTEN INSTRUCTIONS AND EQUIPMENT MANUALS AND DEMONSTRATE TO THE OWNER THE PROPER OPERATION AND MAINTENANCE OF ALL EQUIPMENT AND APPARATUS FURNISHED UNDER THIS CONTRACT.

B. THESE INSTRUCTIONS SHALL BE TYPED ON 8-1/2 IN. X 11 IN. PAPER AND BOUND IN THREE RING BINDERS WITH CLEAR ACETATE COVERS. CONTRACTOR SHALL GIVE THREE COPIES OF THE INSTRUCTIONS TO THE OWNER AND ONE COPY TO THE ENGINEER.

C. THE INSTRUCTION BOOKLET SHALL BEAR THE NAME, ADDRESS AND TELEPHONE NUMBER OF THE PROJECT, ARCHITECT AND ENGINEER.

D. REPRODUCIBLE "AS-BUILT" DRAWINGS SHALL BE PROVIDED INDICATING THE AS INSTALLED CONDITIONS OF THE WORK. "AS-BUILT" DRAWINGS SHALL BE PROVIDED TO THE ARCHITECT AFTER COMPLETION OF THE INSTALLATION.

5. GENERAL PROVISIONS FOR FIRE PROTECTION WORK:

A. SPECIFICATIONS ARE OF SIMPLIFIED FORM AND INCLUDE INCOMPLETE SENTENCES, WORDS OR PHRASES SUCH AS "THE CONTRACTOR SHALL," "SHALL BE," "FURNISH," "PROVIDE," "A," "THE," AND "ALL" HAVE BEEN OMITTED FOR BREVITY.

B. DEFINITIONS:

- 1) "PROVIDE": TO SUPPLY, INSTALL AND CONNECT UP COMPLETE AND READY FOR SAFE AND REGULAR OPERATION THE PARTICULAR WORK REFERRED TO UNLESS SPECIFICALLY OTHERWISE NOTED.
- 2) "INSTALL": TO ERRECT, MOUNT AND CONNECT COMPLETE WITH RELATED ACCESSORIES.
- 3) "FURNISH" OR "SUPPLY": TO PURCHASE, PROCURE, ACQUIRE AND DELIVER COMPLETE WITH RELATED ACCESSORIES.
- 4) "WORK": LABOR, MATERIALS, EQUIPMENT, APPARATUS, CONTROLS, ACCESSORIES AND OTHER ITEMS REQUIRED FOR PROPER AND COMPLETE INSTALLATION.
- 5) "CONCEALED": EMBEDDED IN MASONRY OR OTHER CONSTRUCTION, INSTALLED IN CURBED SPACES, WITHIN DOUBLE PARTITIONS OR HUNG CEILINGS, IN TRENCHES, IN CRAWL SPACES, OR IN ENCLOSURES.
- 6) "EXPOSED": NOT INSTALLED UNDERGROUND OR "CONCEALED" AS DEFINED ABOVE.
- 7) "SIMILAR" OR "EQUAL": EQUAL IN MATERIALS, WEIGHT, SIZE, DESIGN AND INSTALLATION OF SPECIFIED PRODUCT.

C. QUALITY ASSURANCE:

- 1) QUALITY AND GAUGE OF MATERIALS, NEW, BEST OF THEIR RESPECTIVE KINDS, FREE FROM DEFECTS AND IF APPLICABLE LISTED BY UNDERWRITERS LABORATORIES, INC., AND FACTORY MUTUAL, INC. OR BEARING THEIR LABEL. MATERIALS AND EQUIPMENT OF SIMILAR APPLICATION SHALL BE OF SAME MANUFACTURER, EXCEPT AS NOTED.
- 2) GUARANTEE: ALL MATERIALS AND WORKMANSHIP SHALL BE GUARANTEED FOR A PERIOD OF ONE YEAR FROM DATE OF ACCEPTANCE OF WORK.
- 3) ANY PRODUCTS BEING INSTALLED IN NEW YORK CITY SHALL APPROVED BY THE BOARD OF STANDARDS AND APPEALS. (NYC PROJECTS ONLY)

D. PRODUCT DELIVERY, STORAGE AND HANDLING:

- 1) MOVING OF EQUIPMENT: WHERE NECESSARY, SHIP IN CARTED SECTIONS OF SIZE TO PERMIT PASSING THROUGH AVAILABLE SPACES.
- 2) ACCESSIBILITY: FOR OPERATION, MAINTENANCE AND REPAIR, MINOR DEVIATIONS SHALL BE PERMITTED. CHANGES OF MAGNITUDE OR INVOLVING EXTRA COST ARE NOT PERMISSIBLE WITHOUT REVIEW.

E. BRUSH AND CLEAN WORK PRIOR TO CONCEALING, PAINTING AND ACCEPTANCE. PAINTED EXPOSED WORK THAT IS SOILED OR DAMAGED, CLEAN AND REPAIR TO MATCH ADJOINING WORK BEFORE FINAL ACCEPTANCE. REMOVE DEBRIS FROM INSIDE AND OUTSIDE OF MATERIAL AND EQUIPMENT.

F. FINAL LOCATIONS AND MOUNTING ORIENTATIONS OF ALL VISIBLE FIRE PROTECTION EQUIPMENT BE VERIFIED BY ARCHITECT.

G. ALL ACCESS DOOR LOCATIONS SHALL BE REVIEWED BY ARCHITECT PRIOR TO INSTALLATION.

H. SPRINKLER SYSTEM DESIGN CRITERIA:

- 1) LIGHT HAZARD OCCUPANCIES: 225 SQ FT/HEAD MAXIMUM COVERAGE. 0.10 GPM/SQ FT DENSITY OVER THE MOST REMOTE 1,500 SQ FT OF THE SYSTEM.
- 2) ORDINARY HAZARD OCCUPANCIES: 130 SQ FT/HEAD MAXIMUM COVERAGE. 0.16SQ FT DENSITY OVER THE MOST REMOTE 1,500 SQ FT OF THE SYSTEM.

6. PRODUCTS:

A. ESCUTCHEONS:

- 1) ALL EXPOSED PIPING PASSING THROUGH WALLS, FLOORS, PARTITIONS AND CEILINGS SHALL BE PROVIDED WITH CHROME PLATED CAST BRASS ESCUTCHEONS HELD IN PLACE WITH SET SCREWS.

7. PIPE AND FITTINGS:

A. PIPE:

- 1) ALL FIRE STANDPIPE PIPING, WHERE REQUIRED, ABOVE GRADE: HEAVY WEIGHT BLACK STEEL PIPE, SCHEDULE 80, WELDED OR SEAMLESS, WITH MANUFACTURER'S NAME ROLLED INTO EACH LENGTH.
- 2) ALL SPRINKLER MAIN PIPING ABOVE GRADE WITH MAXIMUM WORKING PRESSURE OF 175 PSI: CHLORINATED POLY VINYL CHLORIDE (CPVC) ASTM F 442 IDENTIFIED BY LOGO AND LISTING AGENCY, IF PERMITTED BY AHJ.

B. FITTINGS:

- 1) THREADED: CHLORINATED POLY VINYL CHLORIDE (CPVC) SCH 80 ASTM F 437
- 2) SOCKET-TYPE FITTINGS: CPVC

a. SCHEDULE 40 - ASTM F 438
b. SCHEDULE 80 - ASTM F 439

C. JOINTS:

- 1) THREADED (SCHEDULE 40 ONLY) WITH APPROVED COMPOUND.
- 2) CUT GROOVE (SCHEDULE 40 ONLY) WITH RIGID MALLEABLE IRON BOLTED COUPLINGS WITH EPDM GASKETS, VICTAULIC STYLE 07, OR APPROVED EQUAL.

a. FOR SCHEDULE 80 PIPE SYSTEMS, VICTAULIC STYLE 77 OR APPROVED EQUAL.

- 3) ROLL GROOVE (SCHEDULE 40 OR SCHEDULE 10) WITH RIGID MALLEABLE IRON BOLTED COUPLINGS WITH EPDM GASKETS, VICTAULIC STYLE 005, OR APPROVED EQUAL.

a. FOR ROLL GROOVE SCHEDULE 10 SPRINKLER MAINS WITH A MAXIMUM WORKING PRESSURE OF 175 PSI, FIRE SERVICE RIGID MALLEABLE IRON BOLTED COUPLINGS WITH EPDM GASKETS, VICTAULIC STYLE 005, OR APPROVED EQUAL.

D. APPLICATIONS:

- 1) THREADED: ALL SPRINKLER AND FIRE STANDPIPE SYSTEMS.
- 2) GROOVED (ROLL OR CUT): ALL SPRINKLER RISERS/MANS AND FIRE STANDPIPE SYSTEMS.

E. ACCEPTABLE MANUFACTURERS: VICTAULIC CO., INTERFIT, SPRINK.

4. SPRINKLER HEADS:

A. ALL SPRINKLER HEADS SHALL BE RATED FOR ORDINARY TEMPERATURES (135/165 DEG. F.) EXCEPT AS REQUIRED NEAR HEATERS OR LOCATIONS WHERE ELEVATED TEMPERATURES MAY NORMALLY BE EXPECTED OR AS OTHERWISE INDICATED.

B. SPRINKLER HEADS SHALL BE AS MANUFACTURED BY RELIABLE AUTOMATIC SPRINKLER CO., INC. OR APPROVED EQUAL, UL AND FM APPROVED AS FOLLOWS:

- 1) SPRINKLER HEADS IN FINISHED OR DROPPED CEILINGS WITH CONCEALED PIPING SHALL BE AUTOMATIC CONCEALER MODEL GAFR "FLUSH" ORDINARY TEMPERATURE RATING (135/165 DEG. F.), BSA# #587-75-SA.
- 2) SPRINKLER HEADS IN AREAS WITHOUT HUNG CEILINGS SHALL BE MODEL G "UPRIGHT" ORDINARY TEMPERATURE RATING (135/165 DEG. F.), BSA# #587-75-SA.
- 3) SPRINKLER HEADS FOR CONCEALED SPACES OF COMBUSTIBLE CONSTRUCTION SHALL BE MODEL "G" UPRIGHT, INTERMEDIATE TEMPERATURE RATING (212 DEG. F.), BSA# #587-75-SA.

C. PROVIDE SPARE SPRINKLER EMERGENCY CABINETS AS REQUIRED.

D. SPRINKLER EMERGENCY CABINETS SHALL BE RELIABLE AUTOMATIC SPRINKLER CO., INC. MODEL A1 OR APPROVED EQUAL, UL AND FM APPROVED.

E. FLEXIBLE SPRINKLER HEAD CONNECTIONS ARE PERMITTED.

F. INSTALLATION:

- 1) COORDINATE SPRINKLER HEAD LOCATIONS WITH THE CEILING GRID, LIGHT FIXTURES, DIFFUSERS, AUDIO EQUIPMENT AND ALL OTHER COMPONENTS OF THE REFLECTED CEILING PLAN.
- 2) INSTALL SPRINKLER HEADS IN THE CENTER OF CEILING TILES AND IN A TRUE AXIS LINE IN BOTH DIRECTIONS WITH A MAXIMUM DEVIATION OF 1/2 IN. PLUS OR MINUS FROM THE AXIS LINE AS ESTABLISHED BY THE ARCHITECT FOR USE OF ALL TRADES. AT THE COMPLETION OF THE INSTALLATION, REMOVE AND REINSTALL ANY HEADS FOUND TO EXCEED THE ABOVE-MENTIONED TOLERANCE. INSTALL FLUSH PLATE SPRINKLER HEADS WITHIN MANUFACTURER'S TOLERANCES. PRIOR TO INSTALLATION OF FLUSH PLATES, NOTIFY ARCHITECT AND CONSULTING ENGINEER FOR VERIFICATION OF INSTALLATION. ANY HEADS FOUND OUT OF TOLERANCE SHALL BE REMOVED AND REINSTALLED.

5. PIPING SUPPORTS:

A. SUPPORT ALL PIPING FROM BUILDING CONSTRUCTION BY PROVIDING INSERTS, BEAM CLAMPS, STEEL FISH PLATES (IN CONCRETE FILL ONLY), AND ACCEPTABLE BRACKETS. SUBMIT ALL METHODS FOR REVIEW.

B. PROVIDE ADDITIONAL FRAMING WHERE BUILDING CONSTRUCTION IS INADEQUATE. SUBMIT FOR REVIEW.

C. SUSPENDED HORIZONTAL PIPING:

- 1) SUPPORT ALL PIPING INDEPENDENTLY FROM STRUCTURE USING HEAVY IRON-HINGED TYPE HANGERS, SIMILAR TO GRINNELL CLEVIS NO. 260.
- 2) PROVIDE ELECTROPLATED SOLID BAND HANGERS SIMILAR TO AUTO-GRIP, FOR TWO-INCH AND SMALLER PIPE.
- 3) PROVIDE WALL BRACKETS FOR WALL SUPPORTED PIPING, AND PROVIDE PIPE SADDLES FOR FLOOR MOUNTED PIPING.
- 4) SUSPEND PIPING FROM INSERTS, USING BEAM CLAMPS WITH RETAINING CLAMP OR LOCKOUT, STEEL FISH PLATES, GANTRY BRACKETS OR OTHER ACCEPTED MEANS. BEAM CLAMPS SHALL BE SIMILAR TO GRINNELL FIGURES 61, 87, 131, OR 225.

- 5) SUSPEND PIPING BY RODS WITH DOUBLE NUTS.
- 6) PROVIDE ADDITIONAL STEEL FRAMING AS REQUIRED AND ACCEPTED IN REQUIRED LOCATIONS.
- 7) MAXIMUM HANGER SPACING AS INDICATED.

a. PIPE 1 INCH AND SMALLER SHALL BE EVERY 8 FEET.

b. PIPE 1-1/4 INCH AND LARGER SHALL BE EVERY 10 FEET.

8) VERTICAL PIPING:

a. PROVIDE EXTENSION PIPE CLAMPS BOLTED TO BARE PIPE ON EACH SIDE AND BEARING EQUALLY ON STRUCTURE OR WELDED TO BEAM.

b. PROVIDE SPACING AS INDICATED.

(1) THREADED AND PIPING GROOVED PIPING SHALL BE EVERY OTHER FLOOR LEVEL AT A MAXIMUM OF 25 FEET ON CENTERS.

D. EXPANSION ANCHORS:

- 1) PROVIDE SMOOTH WALL, NON-SELF-DRILLING INTERNAL PLUG EXPANSION TYPE ANCHORS CONSTRUCTED OF AISC 12L14 STEEL AND ZINC PLATED IN ACCORDANCE WITH FED. SPEC. 11-A-325 TYPE 1, CLASS 3.
- 2) DO NOT EXCEED 1/4 OF AVERAGE VALVES FOR A SPECIFIC ANCHOR SIZE USING 2000 PSIG (13,800 KPA) CONCRETE ONLY, FOR MAXIMUM WORKING LOADS.
- 3) PROVIDE SPACING AND INSTALL ANCHORS IN ACCORDANCE WITH THE MANUFACTURER'S RECOMMENDATIONS.
- 4) EXPANSION ANCHORS SHALL BE UL LISTED AND SIMILAR TO HILTI HDI.

6. INSTALLATION:

A. DURING CONSTRUCTION, PROPERLY CAP ALL LINES AND EQUIPMENT NOZZLES SO AS TO PREVENT THE ENTRANCE OF DIRT, DEBRIS, ETC.

B. EACH SYSTEM OF PIPING SHALL BE FLUSHED (FOR THE PURPOSE OF MOVING DIRT, DEBRIS, ETC. FROM THE PIPING) FOR AS LONG A TIME AS IS REQUIRED TO THOROUGHLY CLEAN THE SYSTEM.

7. TESTS:

A. FIRE PROTECTION SYSTEM PIPING SHALL BE HYDROSTATICALLY AT A PRESSURE OF 200 PSI FOR A DURATION OF TWO HOURS WITHOUT A LOSS IN PRESSURE.

B. DEFECTS DISCLOSED BY THE TESTS SHALL BE REPAIRED OR REPLACED. TESTS SHALL BE REPEATED AS DIRECTED UNTIL ALL WORK IS PROVEN SATISFACTORY.

C. TAKE ALL PRECAUTIONS NECESSARY TO PREVENT DAMAGE TO THE BUILDING AND ITS CONTENTS AS A RESULT OF SUCH TESTS. REPAIR ANY DAMAGE CAUSED.

D. ARRANGE AND COORDINATE TESTS WITH OWNER 48 HOURS IN ADVANCE. NOTIFY ENGINEER AND ARCHITECT OF TEST DATE AND TIME.

FIRE PROTECTION SHEET INDEX	
SHEET NO.	SHEET DESCRIPTION
SP0.1	FIRE PROTECTION SPECIFICATIONS
SP1.0	BASEMENT FIRE PROTECTION PLAN
SP1.1	FIRST FLOOR FIRE PROTECTION PLAN
SP1.2	SECOND FLOOR FIRE PROTECTION PLAN
SP1.3	THIRD FLOOR FIRE PROTECTION PLAN
SP1.4	FOURTH FLOOR FIRE PROTECTION PLAN
SP1.5	ATTIC FIRE PROTECTION PLAN

CONTRACTOR NOTE

IT IS THE RESPONSIBILITY OF THE CONTRACTOR TO NOTIFY THE ARCHITECT, LANDLORD AND TENANT OF ANY DISCREPANCIES ENCOUNTERED ON THE PLANS OR IN EXISTING SITE CONDITIONS PRIOR TO SUBMISSION OF BID.

BIDDERS ARE TO VISIT THE SITE AND FAMILIARIZE THEMSELVES AS TO THE NATURE AND SCOPE OF THE WORK. THE BASE BID SHALL REFLECT MODIFICATIONS TO SYSTEMS AND DEVICES AS REQUIRED BY STATE, LOCAL, AND FEDERAL CODES WHETHER INDICATED OR NOT ON CONTRACT DOCUMENTS. THE SUBMISSIONS OF A BID WILL BE EVIDENCE THAT SUCH AN EXAMINATION AND COMPLIANCE WITH GOVERNING CODES/REQUIREMENTS HAS BEEN MADE. LATER CLAIMS FOR LABOR, EQUIPMENT, OR MATERIALS REQUIRED OR FOR DIFFICULTIES ENCOUNTERED WHICH COULD HAVE BEEN FORESEEN HAD AN EXAMINATION AND CODE REQUIREMENTS REVIEW BEEN MADE, WILL NOT BE ALLOWED.

NOT FOR CONSTRUCTION

CITYSTUDIOS ARCHITECTURE
1148 Main Street
Cincinnati, OH 45202
ph: 513.621.0750
citystudiosarch.com

advantage STRUCTURAL ENGINEERS
1527 Madison Road
Cincinnati, OH 45206
513.396.8900
www.advantageSE.com

VIOX & VIOX
Civil Engineers, Surveyors, and Landscape Architects
1600 Riverchase Parkway, Cincinnati, OH 45240
PH: 513.963.7000 FAX: 513.963.7001 www.viox.com

PE Services
CONSULTING FOR THE BUILDING INDUSTRY
1013-1015-1017
www.pecservices.com
9 North Broadway
Lebanon, OH 45046
513-836-3810

RUSS ALLEY
1623 - 1625 VINE STREET, 1624 REPUBLIC STREET
(1625 VINE HPTC APPLICATION)
CINCINNATI, OH 45202

3CDC CENTER CITY DEVELOPMENT CORPORATION

ISSUE LOG:
04.02.2023
ISSUE FOR PERMIT
09.21.2023
OHFA PRELIM. SUBMISSION

BASEMENT FIRE PROTECTION PLAN

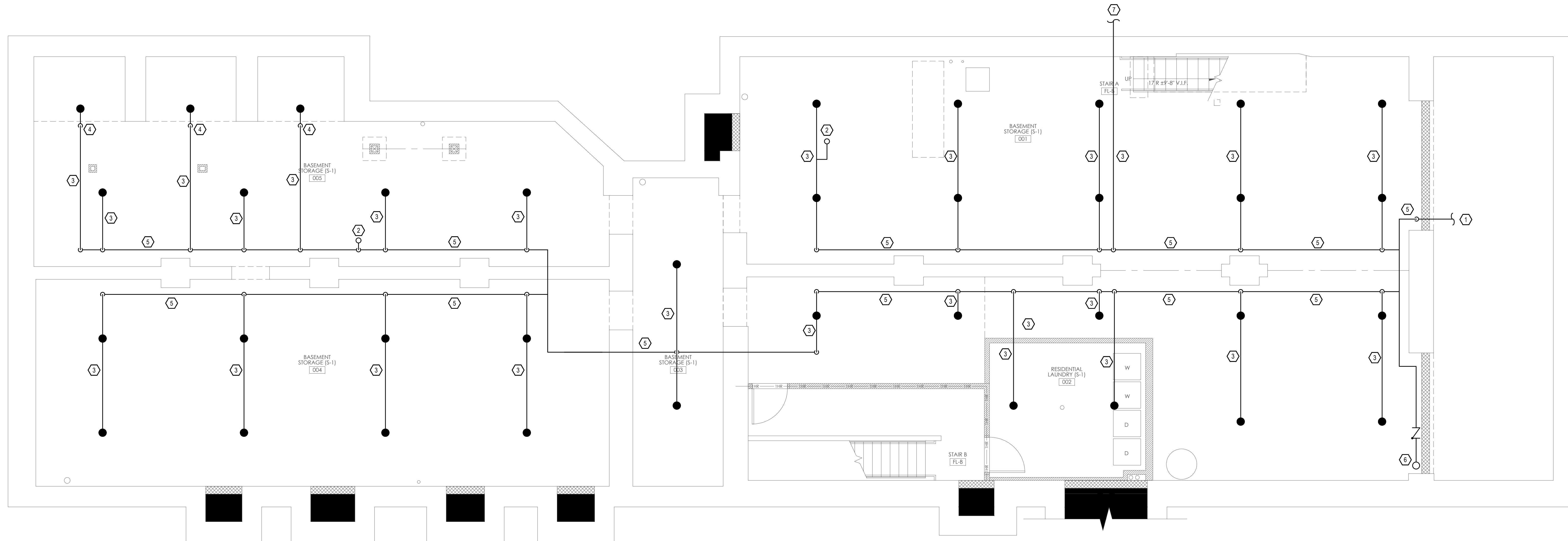
SP3.0

GENERAL NOTES:

- A. THE ENTIRE BUILDING FACILITY SHALL BE PROTECTED BY A WET-PIPE FIRE SUPPRESSION SYSTEM. THE SPRINKLER SYSTEM DESIGN AND LAYOUT SHALL BE IN COMPLIANCE WITH NFPA 13R IN R-2 AREAS OF THE BUILDING.
- B. A SPRINKLER CONTRACTOR SHALL PROVIDE A COMPLETE AND OPERATIONAL, HYDRAULICALLY DESIGNED WET-PIPE SYSTEM IN COMMERCIAL AREAS, IN COMPLIANCE WITH NFPA 13.
- C. ALL CEILING MOUNTED SPRINKLER HEADS SHALL BE COORDINATED WITH ELECTRICAL AND MECHANICAL CONTRACTORS AND ARCHITECTURAL CEILING PLANS.
- D. ALL SPRINKLER HEADS LOCATED IN LAY-IN CEILING TYPE SYSTEMS, SHALL BE CENTERED IN THE MIDDLE OF THE CEILING PANELS, UNLESS OTHERWISE INDICATED.
- E. NO SPRINKLER PIPING SHALL BE ROUTED OVER ELECTRICAL SWITCHGEAR, ELECTRICAL PANELS OR TRANSFORMERS. COORDINATE WITH ELECTRICAL CONTRACTOR AND MAINTAIN CLEARANCES PER NFPA 13 AND REQUIREMENTS.
- F. SPRINKLER CONTRACTOR SHALL BE RESPONSIBLE FOR SIZING AND ROUTING SPRINKLER DISTRIBUTION PIPING THROUGHOUT ENTIRE FACILITY.
- G. COORDINATE FIRE DEPARTMENT CONNECTION LOCATIONS WITH LOCAL FIRE MARSHALL.
- H. ALL SPRINKLER HEADS SHOWN ON DRAWINGS ARE PRELIMINARILY LOCATED FOR COORDINATION PURPOSES. SPRINKLER HEAD TYPES AND LOCATIONS SHALL BE VERIFIED AND DETERMINED BY SPRINKLER CONTRACTOR.
- I. SPRINKLER CONTRACTOR SHALL DETERMINE HAZARD CLASSIFICATIONS FOR ENTIRE BUILDING.
- J. REPRESENTS A BRASS, SEMI-RECESSED, PENDENT SPRINKLER HEAD. THIS TYPE OF SPRINKLER HEAD HAS BEEN CHOSEN FOR PRICING PURPOSES ONLY. THE SPRINKLER CONTRACTOR SHALL MAKE THE FINAL DETERMINATION AS TO THE TYPE AND COVERAGE OF ALL SPRINKLER HEADS.
- K. REPRESENTS A BRASS, UPRIGHT SPRINKLER HEAD. THIS TYPE OF SPRINKLER HEAD HAS BEEN CHOSEN FOR PRICING PURPOSES ONLY. THE SPRINKLER CONTRACTOR SHALL MAKE THE FINAL DETERMINATION AS TO THE TYPE AND COVERAGE OF ALL SPRINKLER HEADS.
- L. REPRESENTS A BRASS, SIDEWALL DRY SPRINKLER HEAD. THE SPRINKLER CONTRACTOR SHALL MAKE THE FINAL DETERMINATION OF THE TYPE OF SPRINKLER HEAD TO USE IN THIS APPLICATION.
- M. FINAL SPRINKLER HEAD LOCATIONS SHALL BE DETERMINED BY THE SPRINKLER CONTRACTOR.
- N. NOT ALL GENERAL NOTES MAY BE APPLICABLE TO EACH PLAN DRAWING.

PLAN NOTES:

- 1. CONTRACTOR SHALL COORDINATE COMBINED FIRE MAIN / DOMESTIC WATER SERVICE ENTRY LOCATION WITH SITE CONTRACTOR.
- 2. SPRINKLER PIPE UP TO FLOOR ABOVE.
- 3. ROUTE SPRINKLER BRANCH PIPING IN FLOOR JOIST SPACES. COORDINATE PIPE ROUTING WITH OTHER TRADES.
- 4. DROP SPRINKLER PIPE DOWN TO TOP OF ARCH AREA. ROUTE PIPING JUST INSIDE ARCH AREA AND TERMINATE WITH SPRINKLER HEAD.
- 5. SPRINKLER PIPING IS EXPOSED. KEEP PIPING AS HIGH AS POSSIBLE. PAINT SPRINKLER PIPING TO MATCH CEILING. COORDINATE PIPE ROUTING WITH OTHER TRADES.
- 6. UP TO FIRE DEPARTMENT CONNECTION.
- 7. FIRE MAIN SERVICE SHALL ENTER THE ADJACENT BUILDING'S (1629) BASEMENT. CONTRACTOR SHALL COORDINATE PIPE ENTRY LOCATION.



BASEMENT FIRE PROTECTION PLAN | 1
1/4" = 1'-0" | SP3.0



CONTRACTOR NOTE

IT IS THE RESPONSIBILITY OF THE CONTRACTOR TO NOTIFY THE ARCHITECT, LANDLORD AND TENANT OF ANY DISCREPANCIES ENCOUNTERED ON THE PLANS OR IN EXISTING SITE CONDITIONS PRIOR TO SUBMISSION OF BID.

BIDDERS ARE TO VISIT THE SITE AND FAMILIARIZE THEMSELVES WITH EXISTING CONDITIONS AND SATISFY THEMSELVES AS TO THE NATURE AND SCOPE OF THE WORK. THE BASE BID SHALL REFLECT MODIFICATIONS TO SYSTEMS AND DEVICES AS REQUIRED BY STATE, LOCAL AND FEDERAL CODES WHETHER INDICATED OR NOT ON CONTRACT DOCUMENTS. THE SUBMISSIONS OF A BID WILL BE EVIDENCE THAT SUCH AN EXAMINATION AND COMPLIANCE WITH GOVERNING CODES/REQUIREMENTS HAS BEEN MADE. LATER CLAIMS FOR LABOR, EQUIPMENT, OR MATERIALS REQUIRED OR FOR DIFFICULTIES ENCOUNTERED WHICH COULD HAVE BEEN FORESEEN HAD AN EXAMINATION AND CODE/REQUIREMENTS REVIEW BEEN MADE, WILL NOT BE ALLOWED.

NOT FOR CONSTRUCTION

CITYSTUDIOS ARCHITECTURE
1148 Main Street
Cincinnati, OH 45202
ph: 513.621.0750
citystudiosarch.com

advantage STRUCTURAL ENGINEERS
1527 Madison Road
Cincinnati, OH 45206
513.396.8900
www.advantageSE.com

VIXO&VIXO
Civil Engineers, Surveyors, and Landscape Architects
1600 Springdale Avenue, Cincinnati, OH 45219
PH: 513.263.1200 FAX: 513.263.1208 WWW.VIXO.COM

PE ENGINEERS
CONSULTING FOR THE BUILDING INDUSTRY
4493-B BROADWAY
LEBANON, OH 45046
513-836-3810

RUSS ALLEY
1623 - 1625 VINE STREET, 1624 REPUBLIC STREET
(1625 VINE HPTC APPLICATION)
CINCINNATI, OH 45202

3CDC CENTER CITY DEVELOPMENT CORPORATION

ISSUE LOG:
04.02.2023
ISSUE FOR PERMIT
09.21.2023
OHFA PRELIM. SUBMISSION

FIRST FLOOR FIRE PROTECTION PLAN

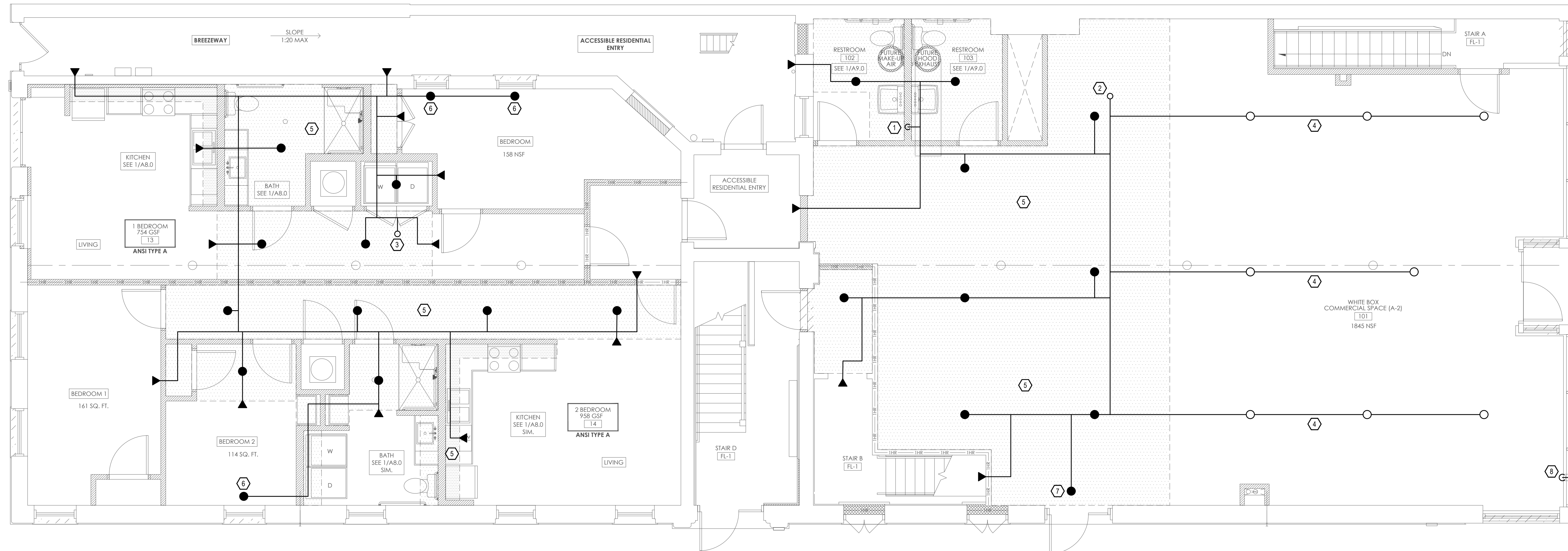
SP3.1

GENERAL NOTES:

- A. THE ENTIRE BUILDING FACILITY SHALL BE PROTECTED BY A WET PIPE FIRE SUPPRESSION SYSTEM. THE SPRINKLER SYSTEM DESIGN AND LAYOUT SHALL BE IN COMPLIANCE WITH NFPA 13R IN R-2 AREAS OF THE BUILDING.
- B. A SPRINKLER CONTRACTOR SHALL PROVIDE A COMPLETE AND OPERATIONAL, HYDRAULICALLY DESIGNED WET PIPE SYSTEM IN COMMERCIAL AREAS, IN COMPLIANCE WITH NFPA 13.
- C. ALL CEILING MOUNTED SPRINKLER HEADS SHALL BE COORDINATED WITH ELECTRICAL AND MECHANICAL CONTRACTORS AND ARCHITECTURAL CEILING PLANS.
- D. ALL SPRINKLER HEADS LOCATED IN LAY-IN CEILING TYPE SYSTEMS, SHALL BE CENTERED IN THE MIDDLE OF THE CEILING PANELS, UNLESS OTHERWISE INDICATED.
- E. NO SPRINKLER PIPING SHALL BE ROUTED OVER ELECTRICAL SWITCHGEAR, ELECTRICAL PANELS OR TRANSFORMERS. COORDINATE WITH ELECTRICAL CONTRACTOR AND MAINTAIN CLEARANCES PER NFPA 13 AND NEC REQUIREMENTS.
- F. SPRINKLER CONTRACTOR SHALL BE RESPONSIBLE FOR SIZING AND ROUTING SPRINKLER DISTRIBUTION PIPING THROUGHOUT ENTIRE FACILITY.
- G. COORDINATE FIRE DEPARTMENT CONNECTION LOCATIONS WITH LOCAL FIRE MARSHALL.
- H. ALL SPRINKLER HEADS SHOWN ON DRAWINGS ARE PRELIMINARILY LOCATED FOR COORDINATION PURPOSES. SPRINKLER HEAD TYPES AND LOCATIONS SHALL BE VERIFIED AND DETERMINED BY SPRINKLER CONTRACTOR.
- I. SPRINKLER CONTRACTOR SHALL DETERMINE HAZARD CLASSIFICATIONS FOR ENTIRE BUILDING.
- J. REPRESENTS A BRASS, SEMI-RECESSED, PENDENT SPRINKLER HEAD. THIS TYPE OF SPRINKLER HEAD HAS BEEN CHOSEN FOR PRICING PURPOSES ONLY. THE SPRINKLER CONTRACTOR SHALL MAKE THE FINAL DETERMINATION AS TO THE TYPE AND COVERAGE OF ALL SPRINKLER HEADS.
- K. REPRESENTS A BRASS, UPRIGHT SPRINKLER HEAD. THIS TYPE OF SPRINKLER HEAD HAS BEEN CHOSEN FOR PRICING PURPOSES ONLY. THE SPRINKLER CONTRACTOR SHALL MAKE THE FINAL DETERMINATION AS TO THE TYPE AND COVERAGE OF ALL SPRINKLER HEADS.
- L. REPRESENTS A BRASS, SIDEWALL DRY SPRINKLER HEAD. THE SPRINKLER CONTRACTOR SHALL MAKE THE FINAL DETERMINATION OF THE TYPE OF SPRINKLER HEAD TO USE IN THIS APPLICATION.
- M. FINAL SPRINKLER HEAD LOCATIONS SHALL BE DETERMINED BY THE SPRINKLER CONTRACTOR.
- N. NOT ALL GENERAL NOTES MAY BE APPLICABLE TO EACH PLAN DRAWING.

PLAN NOTES:

- 1. SPRINKLER PIPE UP FROM FLOOR BELOW.
- 2. SPRINKLER PIPE UP TO FLOOR ABOVE.
- 3. SPRINKLER PIPE UP FROM FLOOR BELOW, EXTEND UP TO FLOOR ABOVE.
- 4. ROUTE SPRINKLER PIPING EXPOSED AND RUN AS HIGH AS POSSIBLE. PAINT PIPING TO MATCH CEILING COLOR. COORDINATE PIPE ROUTING WITH OTHER TRADES.
- 5. ROUTE SPRINKLER PIPING IN LOWER CEILING. COORDINATE PIPE ROUTING WITH OTHER TRADES.
- 6. SPRINKLER AT WINDOW PER CINCINNATI BUILDING CODE 106.5. DROP DOWN TO HEAD AT WINDOW TO PROVIDE FULL COVERAGE OF GLASS. PAINT EXPOSED PIPING TO MATCH CEILING.
- 7. SPRINKLER AT DOOR PER CINCINNATI BUILDING CODE. HEAD TO BE INSTALLED AT CEILING.
- 8. SPRINKLER PIPE UP FROM FLOOR BELOW, CONNECT TO FIRE DEPARTMENT CONNECTION.



CONTRACTOR NOTE

IT IS THE RESPONSIBILITY OF THE CONTRACTOR TO NOTIFY THE ARCHITECT, LANDLORD AND TENANT OF ANY DISCREPANCIES ENCOUNTERED ON THE PLANS OR IN EXISTING SITE CONDITIONS PRIOR TO SUBMISSION OF BID.

BIDDERS ARE TO VISIT THE SITE AND FAMILIARIZE THEMSELVES WITH EXISTING CONDITIONS AND SATISFY THEMSELVES AS TO THE NATURE AND SCOPE OF THE WORK. THE BASE BID SHALL REFLECT MODIFICATIONS TO SYSTEMS AND DEVICES AS REQUIRED BY STATE, LOCAL AND FEDERAL CODES WHETHER INDICATED OR NOT ON CONTRACT DOCUMENTS. THE SUBMISSIONS OF A BID WILL BE EVIDENCE THAT SUCH AN EXAMINATION AND COMPLIANCE WITH GOVERNING CODES/REQUIREMENTS HAS BEEN MADE. LATER CLAIMS FOR LABOR, EQUIPMENT, OR MATERIALS REQUIRED OR FOR DIFFICULTIES ENCOUNTERED WHICH COULD HAVE BEEN FORESEEN HAD AN EXAMINATION AND CODE/REQUIREMENTS REVIEW BEEN MADE, WILL NOT BE ALLOWED.



NOT FOR CONSTRUCTION

CITYSTUDIOS ARCHITECTURE
1148 Main Street
Cincinnati, OH 45202
ph. 513.621.0750
citystudiosarch.com

advantage STRUCTURAL ENGINEERS
1527 Madison Road
Cincinnati, OH 45206
513.396.8900
www.advantageSE.com

VIXO&VIXO
Civil Engineers, Surveyors, and Landscape Architects
1600 Riverchase Lane, Cincinnati, OH 45240
PH: 513.751.1200 • FAX: 513.751.1208 • www.vixov.com

PE Services
CONSULTING FOR THE BUILDING INDUSTRY
9 North Broadway
Lebanon, OH 45046
513-636-3810

RUSS ALLEY
1623 - 1625 VINE STREET, 1624 REPUBLIC STREET
(1625 VINE HPTC APPLICATION)
CINCINNATI, OH 45202

3CDC CENTER CITY DEVELOPMENT CORPORATION

ISSUE LOG:
04.02.2023
ISSUE FOR PERMIT
09.21.2023
OHFA PRELIM. SUBMISSION

SECOND FLOOR FIRE PROTECTION PLAN

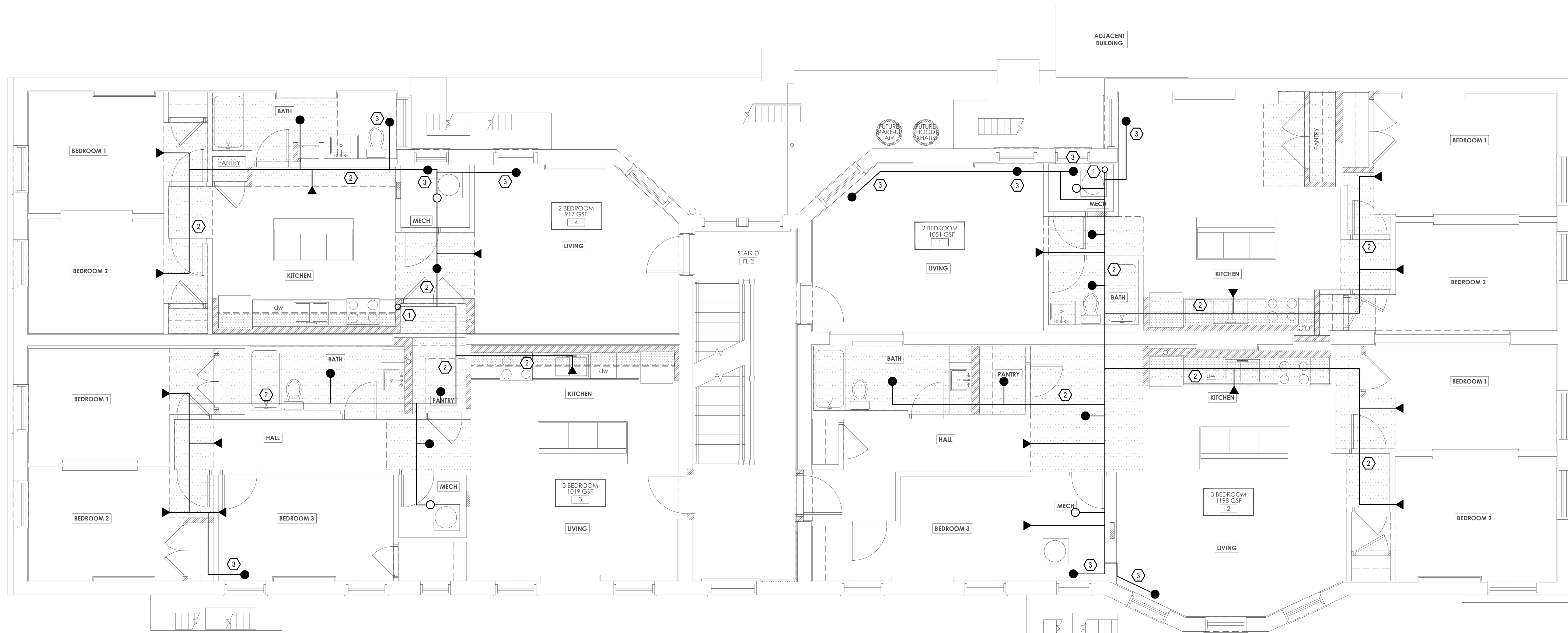
SP3.2

GENERAL NOTES:

- A. THE ENTIRE BUILDING FACILITY SHALL BE PROTECTED BY A WET-PIPE FIRE SUPPRESSION SYSTEM. THE SPRINKLER SYSTEM DESIGN AND LAYOUT SHALL BE IN COMPLIANCE WITH NFPA 13R IN R-2 AREAS OF THE BUILDING.
- B. A SPRINKLER CONTRACTOR SHALL PROVIDE A COMPLETE AND OPERATIONAL, HYDRAULICALLY DESIGNED WET-PIPE SYSTEM IN COMMERCIAL AREAS, IN COMPLIANCE WITH NFPA 13.
- C. ALL CEILING MOUNTED SPRINKLER HEADS SHALL BE COORDINATED WITH ELECTRICAL AND MECHANICAL CONTRACTORS AND ARCHITECTURAL CEILING PLANS.
- D. ALL SPRINKLER HEADS LOCATED IN LAY-IN CEILING TYPE SYSTEMS SHALL BE CENTERED IN THE MIDDLE OF THE CEILING PANELS, UNLESS OTHERWISE INDICATED.
- E. NO SPRINKLER PIPING SHALL BE ROUTED OVER ELECTRICAL SWITCHGEAR, ELECTRICAL PANELS OR TRANSFORMERS. COORDINATE WITH ELECTRICAL CONTRACTOR AND MAINTAIN CLEARANCES PER NFPA 13 AND NEC REQUIREMENTS.
- F. SPRINKLER CONTRACTOR SHALL BE RESPONSIBLE FOR SIZING AND ROUTING SPRINKLER DISTRIBUTION PIPING THROUGHOUT ENTIRE FACILITY.
- G. COORDINATE FIRE DEPARTMENT CONNECTION LOCATIONS WITH LOCAL FIRE MARSHALL.
- H. ALL SPRINKLER HEADS SHOWN ON DRAWINGS ARE PRELIMINARILY LOCATED FOR COORDINATION PURPOSES. SPRINKLER HEAD TYPES AND LOCATIONS SHALL BE VERIFIED AND DETERMINED BY SPRINKLER CONTRACTOR.
- I. SPRINKLER CONTRACTOR SHALL DETERMINE HAZARD CLASSIFICATIONS FOR ENTIRE BUILDING.
- J. REPRESENTS A BRASS, SEMI-RECESSED, PENDENT SPRINKLER HEAD. THIS TYPE OF SPRINKLER HEAD HAS BEEN CHOSEN FOR PRICING PURPOSES ONLY. THE SPRINKLER CONTRACTOR SHALL MAKE THE FINAL DETERMINATION AS TO THE TYPE AND COVERAGE OF ALL SPRINKLER HEADS.
- K. REPRESENTS A BRASS, UPRIGHT SPRINKLER HEAD. THIS TYPE OF SPRINKLER HEAD HAS BEEN CHOSEN FOR PRICING PURPOSES ONLY. THE SPRINKLER CONTRACTOR SHALL MAKE THE FINAL DETERMINATION AS TO THE TYPE AND COVERAGE OF ALL SPRINKLER HEADS.
- L. REPRESENTS A BRASS, SIDEWALL DRY SPRINKLER HEAD. THE SPRINKLER CONTRACTOR SHALL MAKE THE FINAL DETERMINATION OF THE TYPE OF SPRINKLER HEAD TO USE IN THIS APPLICATION.
- M. FINAL SPRINKLER HEAD LOCATIONS SHALL BE DETERMINED BY THE SPRINKLER CONTRACTOR.
- N. NOT ALL GENERAL NOTES MAY BE APPLICABLE TO EACH PLAN DRAWING.

PLAN NOTES:

- 1. SPRINKLER PIPE UP FROM FLOOR BELOW. EXTEND UP TO FLOOR ABOVE.
- 2. ROUTE SPRINKLER PIPING IN LOWER CEILING. COORDINATE PIPE ROUTING WITH OTHER TRADES.
- 3. SPRINKLER AT WINDOW PER CINCINNATI BUILDING CODE 106.5. DROP DOWN TO HEAD AT WINDOW TO PROVIDE FULL COVERAGE OF GLASS. PAINT EXPOSED PIPING TO MATCH CEILING.



CONTRACTOR NOTE

IT IS THE RESPONSIBILITY OF THE CONTRACTOR TO NOTIFY THE ARCHITECT, LANDLORD AND TENANT OF ANY DISCREPANCIES ENCOUNTERED ON THE PLANS OR IN EXISTING SITE CONDITIONS PRIOR TO SUBMISSION OF BID.

BIDDERS ARE TO VISIT THE SITE AND FAMILIARIZE THEMSELVES WITH EXISTING CONDITIONS AND SATISFY THEMSELVES AS TO THE NATURE AND SCOPE OF THE WORK. THE BASE BID SHALL REFLECT MODIFICATIONS TO SYSTEMS AND DEVICES AS REQUIRED BY STATE, LOCAL AND FEDERAL CODES WHETHER INDICATED OR NOT ON CONTRACT DOCUMENTS. THE SUBMISSIONS OF A BID WILL BE EVIDENCE THAT SUCH AN EXAMINATION AND COMPLIANCE WITH GOVERNING CODES/REQUIREMENTS HAS BEEN MADE. LATER CLAIMS FOR LABOR, EQUIPMENT, OR MATERIALS REQUIRED OR FOR DIFFICULTIES ENCOUNTERED WHICH COULD HAVE BEEN FORESEEN HAD AN EXAMINATION AND CODE/REQUIREMENTS REVIEW BEEN MADE, WILL NOT BE ALLOWED.

SECOND FLOOR FIRE PROTECTION PLAN | 1
1/4" = 1'-0" | SP3.2



NOT FOR CONSTRUCTION

CITYSTUDIOS ARCHITECTURE
1148 Main Street
Cincinnati, OH 45202
ph. 513.621.0750
citystudiosarch.com

advantage STRUCTURAL ENGINEERS
1527 Madison Road
Cincinnati, OH 45206
513.396.8900
www.advantageSE.com

VIXO&VIXO
Civil Engineers, Surveyors, and Landscape Architects
1650 Blue Ash Road, Suite 100
Blue Ash, OH 45215
PH: 513.233.1234 FAX: 513.233.1234 www.vixov.com

PE SERVICES
CONSULTING FOR THE BUILDING INDUSTRY
1475 83rd Street
Cincinnati, OH 45244
9 North Broadway
Lebanon, OH 45046
513-836-3810

RUSS ALLEY
1623 - 1625 VINE STREET, 1624 REPUBLIC STREET
(1625 VINE HPTC APPLICATION)
CINCINNATI, OH 45202

3CDC CINCINNATI CENTER CITY DEVELOPMENT CORPORATION

ISSUE LOG:
04.02.2023
ISSUE FOR PERMIT
09.21.2023
OHFA PRELIM. SUBMISSION

THIRD FLOOR FIRE PROTECTION PLAN

SP3.3

GENERAL NOTES:

- A. THE ENTIRE BUILDING FACILITY SHALL BE PROTECTED BY A WET PIPE FIRE SUPPRESSION SYSTEM. THE SPRINKLER SYSTEM DESIGN AND LAYOUT SHALL BE IN COMPLIANCE WITH NFPA 13R IN R-2 AREAS OF THE BUILDING.
- B. A SPRINKLER CONTRACTOR SHALL PROVIDE A COMPLETE AND OPERATIONAL, HYDRAULICALLY DESIGNED WET PIPE SYSTEM IN COMMERCIAL AREAS, IN COMPLIANCE WITH NFPA 13.
- C. ALL CEILING MOUNTED SPRINKLER HEADS SHALL BE COORDINATED WITH ELECTRICAL AND MECHANICAL CONTRACTORS AND ARCHITECTURAL CEILING PLANS. ALL SPRINKLER HEADS LOCATED IN LAY-IN CEILING TYPE SYSTEMS, SHALL BE CENTERED IN THE MIDDLE OF THE CEILING PANELS, UNLESS OTHERWISE INDICATED.
- E. NO SPRINKLER PIPING SHALL BE ROUTED OVER ELECTRICAL SWITCHGEAR, ELECTRICAL PANELS OR TRANSFORMERS. COORDINATE WITH ELECTRICAL CONTRACTOR AND MAINTAIN CLEARANCES PER NFPA 13 AND NEC REQUIREMENTS.
- F. SPRINKLER CONTRACTOR SHALL BE RESPONSIBLE FOR SIZING AND ROUTING SPRINKLER DISTRIBUTION PIPING THROUGHOUT ENTIRE FACILITY.
- G. COORDINATE FIRE DEPARTMENT CONNECTION LOCATIONS WITH LOCAL FIRE MARSHALL.
- H. ALL SPRINKLER HEADS SHOWN ON DRAWINGS ARE PRELIMINARILY LOCATED FOR COORDINATION PURPOSES. SPRINKLER HEAD TYPES AND LOCATIONS SHALL BE VERIFIED AND DETERMINED BY SPRINKLER CONTRACTOR.
- I. SPRINKLER CONTRACTOR SHALL DETERMINE HAZARD CLASSIFICATIONS FOR ENTIRE BUILDING.
- J. REPRESENTS A BRASS, SEMI-RECESSED, PENDENT SPRINKLER HEAD. THIS TYPE OF SPRINKLER HEAD HAS BEEN CHOSEN FOR PRICING PURPOSES ONLY. THE SPRINKLER CONTRACTOR SHALL MAKE THE FINAL DETERMINATION AS TO THE TYPE AND COVERAGE OF ALL SPRINKLER HEADS.
- K. REPRESENTS A BRASS, UPRIGHT SPRINKLER HEAD. THIS TYPE OF SPRINKLER HEAD HAS BEEN CHOSEN FOR PRICING PURPOSES ONLY. THE SPRINKLER CONTRACTOR SHALL MAKE THE FINAL DETERMINATION AS TO THE TYPE AND COVERAGE OF ALL SPRINKLER HEADS.
- L. REPRESENTS A BRASS, SIDEWALL DRY SPRINKLER HEAD. THE SPRINKLER CONTRACTOR SHALL MAKE THE FINAL DETERMINATION OF THE TYPE OF SPRINKLER HEAD TO USE IN THIS APPLICATION.
- M. FINAL SPRINKLER HEAD LOCATIONS SHALL BE DETERMINED BY THE SPRINKLER CONTRACTOR. NOT ALL GENERAL NOTES MAY BE APPLICABLE TO EACH PLAN DRAWING.
- N. NOT ALL GENERAL NOTES MAY BE APPLICABLE TO EACH PLAN DRAWING.

PLAN NOTES:

- 1. SPRINKLER PIPE UP FROM FLOOR BELOW. EXTEND UP TO FLOOR ABOVE.
- 2. ROUTE SPRINKLER PIPING IN LOWER CEILING. COORDINATE PIPE ROUTING WITH OTHER TRADES.
- 3. SPRINKLER AT WINDOW PER CINCINNATI BUILDING CODE 16.5. DROP DOWN TO HEAD AT WINDOW TO PROVIDE FULL COVERAGE OF GLASS. PAINT EXPOSED PIPING TO MATCH CEILING.



CONTRACTOR NOTE

IT IS THE RESPONSIBILITY OF THE CONTRACTOR TO NOTIFY THE ARCHITECT, LANDLORD AND TENANT OF ANY DISCREPANCIES ENCOUNTERED ON THE PLANS OR IN EXISTING SITE CONDITIONS PRIOR TO SUBMISSION OF BID.

BIDDERS ARE TO VISIT THE SITE AND FAMILIARIZE THEMSELVES WITH EXISTING CONDITIONS AND SATISFY THEMSELVES AS TO THE NATURE AND SCOPE OF THE WORK. THE BASE BID SHALL REFLECT MODIFICATIONS TO SYSTEMS AND DEVICES AS REQUIRED BY STATE, LOCAL AND FEDERAL CODES WHETHER INDICATED OR NOT ON CONTRACT DOCUMENTS. THE SUBMISSIONS OF A BID WILL BE EVIDENCE THAT SUCH AN EXAMINATION AND COMPLIANCE WITH GOVERNING CODES/REQUIREMENTS HAS BEEN MADE. LATER CLAIMS FOR LABOR, EQUIPMENT, OR MATERIALS REQUIRED OR FOR DIFFICULTIES ENCOUNTERED WHICH COULD HAVE BEEN FORESEEN HAD AN EXAMINATION AND CODE/REQUIREMENTS REVIEW BEEN MADE, WILL NOT BE ALLOWED.

THIRD FLOOR FIRE PROTECTION PLAN | 1
1/4" = 1'-0" SP3.3

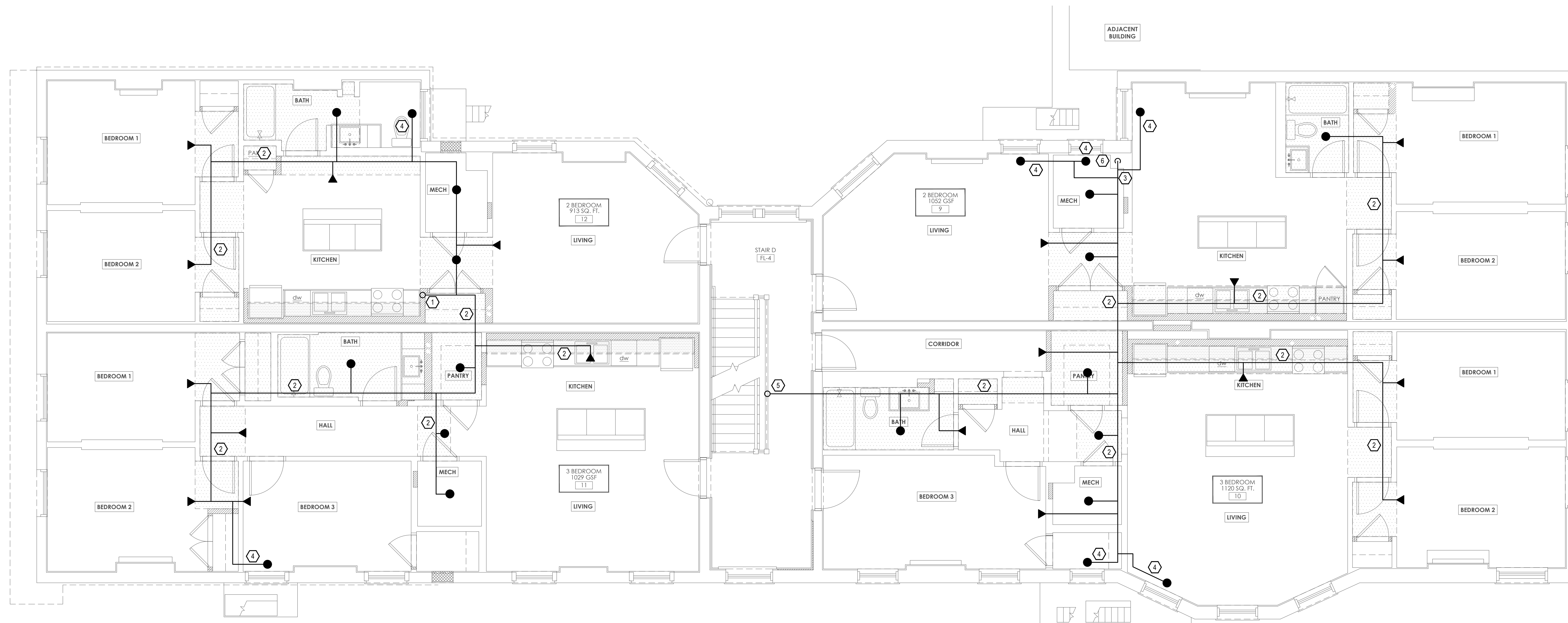


GENERAL NOTES:

- A. THE ENTIRE BUILDING FACILITY SHALL BE PROTECTED BY A WET PIPE FIRE SUPPRESSION SYSTEM. THE SPRINKLER SYSTEM DESIGN AND LAYOUT SHALL BE IN COMPLIANCE WITH NFPA 13R IN R-2 AREAS OF THE BUILDING.
- B. A SPRINKLER CONTRACTOR SHALL PROVIDE A COMPLETE AND OPERATIONAL, HYDRAULICALLY DESIGNED WET PIPE SYSTEM IN COMMERCIAL AREAS, IN COMPLIANCE WITH NFPA 13.
- C. ALL CEILING MOUNTED SPRINKLER HEADS SHALL BE COORDINATED WITH ELECTRICAL AND MECHANICAL CONTRACTORS AND ARCHITECTURAL CEILING PLANS. ALL SPRINKLER HEADS LOCATED IN LAY-IN CEILING TYPE SYSTEMS SHALL BE CENTERED IN THE MIDDLE OF THE CEILING PANELS, UNLESS OTHERWISE INDICATED.
- E. NO SPRINKLER PIPING SHALL BE ROUTED OVER ELECTRICAL SWITCHGEAR, ELECTRICAL PANELS OR TRANSFORMERS. COORDINATE WITH ELECTRICAL CONTRACTOR AND MAINTAIN CLEARANCES PER NFPA 13 AND NEC REQUIREMENTS.
- F. SPRINKLER CONTRACTOR SHALL BE RESPONSIBLE FOR SIZING AND ROUTING SPRINKLER DISTRIBUTION PIPING THROUGHOUT ENTIRE FACILITY.
- G. COORDINATE FIRE DEPARTMENT CONNECTION LOCATIONS WITH LOCAL FIRE MARSHAL.
- H. ALL SPRINKLER HEADS SHOWN ON DRAWINGS ARE PRELIMINARILY LOCATED FOR COORDINATION PURPOSES. SPRINKLER HEAD TYPES AND LOCATIONS SHALL BE VERIFIED AND DETERMINED BY SPRINKLER CONTRACTOR.
- I. SPRINKLER CONTRACTOR SHALL DETERMINE HAZARD CLASSIFICATIONS FOR ENTIRE BUILDING.
- J. REPRESENTS A BRASS, SEMI-RECESSED, PENDENT SPRINKLER HEAD. THIS TYPE OF SPRINKLER HEAD HAS BEEN CHOSEN FOR PRICING PURPOSES ONLY. THE SPRINKLER CONTRACTOR SHALL MAKE THE FINAL DETERMINATION AS TO THE TYPE AND COVERAGE OF ALL SPRINKLER HEADS.
- K. REPRESENTS A BRASS, UPRIGHT SPRINKLER HEAD. THIS TYPE OF SPRINKLER HEAD HAS BEEN CHOSEN FOR PRICING PURPOSES ONLY. THE SPRINKLER CONTRACTOR SHALL MAKE THE FINAL DETERMINATION AS TO THE TYPE AND COVERAGE OF ALL SPRINKLER HEADS.
- L. REPRESENTS A BRASS, SIDEWALL DRY SPRINKLER HEAD. THE SPRINKLER CONTRACTOR SHALL MAKE THE FINAL DETERMINATION OF THE TYPE OF SPRINKLER HEAD TO USE IN THIS APPLICATION.
- M. FINAL SPRINKLER HEAD LOCATIONS SHALL BE DETERMINED BY THE SPRINKLER CONTRACTOR.
- N. NOT ALL GENERAL NOTES MAY BE APPLICABLE TO EACH PLAN DRAWING.

PLAN NOTES:

- 1. SPRINKLER PIPE UP FROM FLOOR BELOW. EXTEND UP TO FLOOR ABOVE.
- 2. ROUTE SPRINKLER PIPING IN LOWER CEILING. COORDINATE PIPE ROUTING WITH OTHER TRADES.
- 3. CONTRACTOR TO VERIFY IF EXISTING WALL BUMP-OUT IS AVAILABLE TO ACCEPT VERTICAL SPRINKLER PIPE. ADJUST IF NECESSARY IN THE FIELD.
- 4. SPRINKLER AT WINDOW PER CINCINNATI BUILDING CODE 106.5. DROP DOWN TO HEAD AT WINDOW TO PROVIDE FULL COVERAGE OF GLASS. PAINT EXPOSED PIPING TO MATCH CEILING.
- 5. EXTEND SPRINKLER PIPE UP TO FLOOR ABOVE.
- 6. SPRINKLER PIPE UP FROM FLOOR BELOW.



CONTRACTOR NOTE

IT IS THE RESPONSIBILITY OF THE CONTRACTOR TO NOTIFY THE ARCHITECT, LANDLORD AND TENANT OF ANY DISCREPANCIES ENCOUNTERED ON THE PLANS OR IN EXISTING SITE CONDITIONS PRIOR TO SUBMISSION OF BID.

BIDDERS ARE TO VISIT THE SITE AND FAMILIARIZE THEMSELVES WITH EXISTING CONDITIONS AND SATISFY THEMSELVES AS TO THE NATURE AND SCOPE OF THE WORK. THE BASE BID SHALL REFLECT MODIFICATIONS TO SYSTEMS AND DEVICES AS REQUIRED BY STATE, LOCAL AND FEDERAL CODES WHETHER INDICATED OR NOT ON CONTRACT DOCUMENTS. THE SUBMISSIONS OF A BID WILL BE EVIDENCE THAT SUCH AN EXAMINATION AND COMPLIANCE WITH GOVERNING CODES/REQUIREMENTS HAS BEEN MADE. LATER CLAIMS FOR LABOR, EQUIPMENT, OR MATERIALS REQUIRED OR FOR DIFFICULTIES ENCOUNTERED WHICH COULD HAVE BEEN FORESEEN HAD AN EXAMINATION AND CODE/REQUIREMENTS REVIEW BEEN MADE, WILL NOT BE ALLOWED.

FOURTH FLOOR FIRE PROTECTION PLAN | 1
1/4" = 1'-0" | SP3.4



NOT FOR CONSTRUCTION

CITYSTUDIOS ARCHITECTURE
1148 Main Street
Cincinnati, OH 45202
ph. 513.621.0750
citystudiosarch.com

advantage
STRUCTURAL ENGINEERS
1527 Madison Road
Cincinnati, OH 45206
513.396.8900
www.advantageSE.com

VIOX & VIOX
Civil Engineers, Surveyors, and Landscape Architects
1650 Riverchase Parkway, Suite 200
Cincinnati, OH 45240
Phone: 513.752.1234 • Fax: 513.752.1234 • www.viox.com

PE ENGINEERS
CONSULTING FOR THE BUILDING INDUSTRY
14913-BROADWAY
9 North Broadway
Lebanon, OH 45046
513-836-3810

RUSS ALLEY
1623 - 1625 VINE STREET, 1624 REPUBLIC STREET
(1625 VINE HPTC APPLICATION)
CINCINNATI, OH 45202

3CDC CINCINNATI CENTER CITY DEVELOPMENT CORPORATION

ISSUE LOG:
04.02.2023
ISSUE FOR PERMIT
09.21.2023
CHFA PRELIM. SUBMISSION

FOURTH FLOOR FIRE PROTECTION PLAN

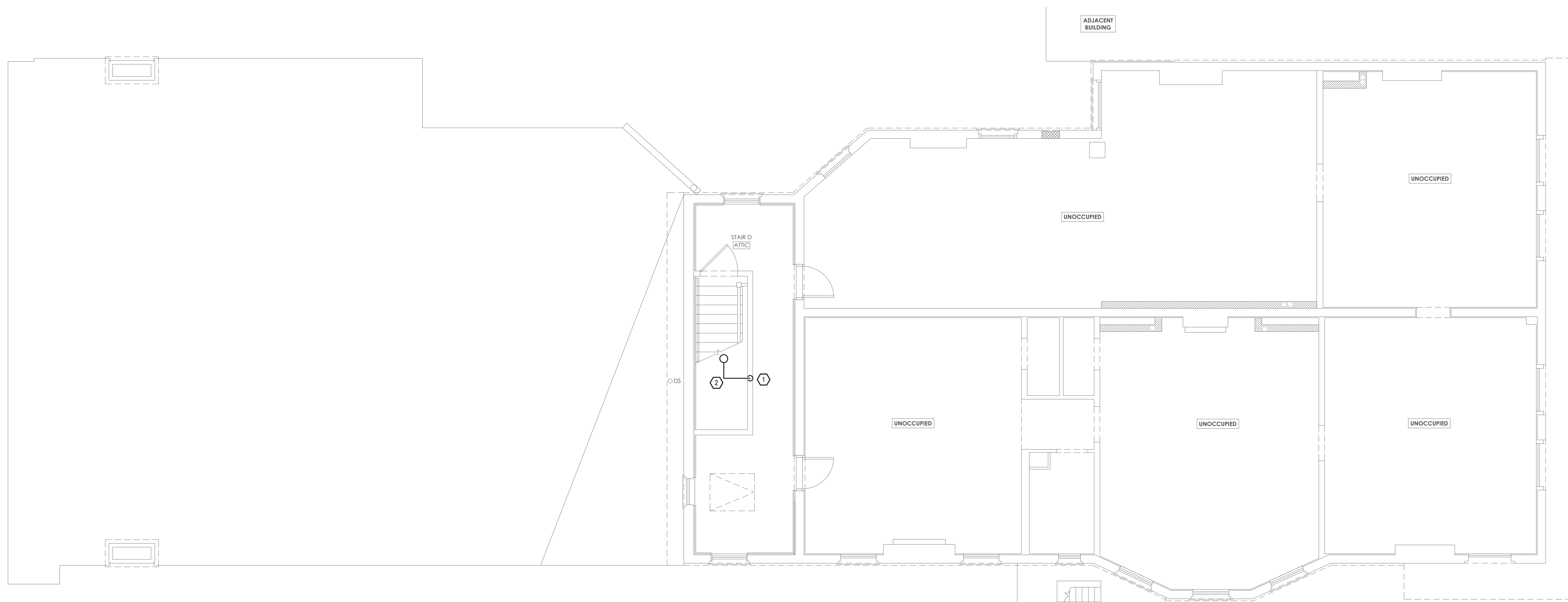
SP3.4

GENERAL NOTES:

- A. THE ENTIRE BUILDING FACILITY SHALL BE PROTECTED BY A WET-PIPE FIRE SUPPRESSION SYSTEM. THE SPRINKLER SYSTEM DESIGN AND LAYOUT SHALL BE IN COMPLIANCE WITH NFPA 13R IN R-2 AREAS OF THE BUILDING.
- B. A SPRINKLER CONTRACTOR SHALL PROVIDE A COMPLETE AND OPERATIONAL, HYDRAULICALLY DESIGNED WET-PIPE SYSTEM IN COMMERCIAL AREAS, IN COMPLIANCE WITH NFPA 13.
- C. ALL CEILING MOUNTED SPRINKLER HEADS SHALL BE COORDINATED WITH ELECTRICAL AND MECHANICAL CONTRACTORS AND ARCHITECTURAL CEILING PLANS.
- D. ALL SPRINKLER HEADS LOCATED IN LAY-IN CEILING TYPE SYSTEMS, SHALL BE CENTERED IN THE MIDDLE OF THE CEILING PANELS, UNLESS OTHERWISE INDICATED.
- E. NO SPRINKLER PIPING SHALL BE ROUTED OVER ELECTRICAL SWITCHGEAR, ELECTRICAL PANELS OR TRANSFORMERS. COORDINATE WITH ELECTRICAL CONTRACTOR AND MAINTAIN CLEARANCES PER NFPA 13 AND NEC REQUIREMENTS.
- F. SPRINKLER CONTRACTOR SHALL BE RESPONSIBLE FOR SIZING AND ROUTING SPRINKLER DISTRIBUTION PIPING THROUGHOUT ENTIRE FACILITY.
- G. COORDINATE FIRE DEPARTMENT CONNECTION LOCATIONS WITH LOCAL FIRE MARSHALL.
- H. ALL SPRINKLER HEADS SHOWN ON DRAWINGS ARE PRELIMINARILY LOCATED FOR COORDINATION PURPOSES. SPRINKLER HEAD TYPES AND LOCATIONS SHALL BE VERIFIED AND DETERMINED BY SPRINKLER CONTRACTOR.
- I. SPRINKLER CONTRACTOR SHALL DETERMINE HAZARD CLASSIFICATIONS FOR ENTIRE BUILDING.
- J. REPRESENTS A BRASS, SEMI-RECESSED, PENDENT SPRINKLER HEAD. THIS TYPE OF SPRINKLER HEAD HAS BEEN CHOSEN FOR PRICING PURPOSES ONLY. THE SPRINKLER CONTRACTOR SHALL MAKE THE FINAL DETERMINATION AS TO THE TYPE AND COVERAGE OF ALL SPRINKLER HEADS.
- K. REPRESENTS A BRASS, UPRIGHT SPRINKLER HEAD. THIS TYPE OF SPRINKLER HEAD HAS BEEN CHOSEN FOR PRICING PURPOSES ONLY. THE SPRINKLER CONTRACTOR SHALL MAKE THE FINAL DETERMINATION AS TO THE TYPE AND COVERAGE OF ALL SPRINKLER HEADS.
- L. REPRESENTS A BRASS, SIDEWALL DRY SPRINKLER HEAD. THE SPRINKLER CONTRACTOR SHALL MAKE THE FINAL DETERMINATION OF THE TYPE OF SPRINKLER HEAD TO USE IN THIS APPLICATION.
- M. FINAL SPRINKLER HEAD LOCATIONS SHALL BE DETERMINED BY THE SPRINKLER CONTRACTOR.
- N. NOT ALL GENERAL NOTES MAY BE APPLICABLE TO EACH PLAN DRAWING.

PLAN NOTES:

- 1. SPRINKLER PIPE UP FROM FLOOR BELOW.
- 2. PROVIDE SPRINKLER COVERAGE AT TOP OF STAIRS. PAINT EXPOSED SPRINKLER PIPING TO MATCH CEILING.



ATTIC FIRE PROTECTION PLAN | 1
1/4" = 1'-0" | SP3.5



CONTRACTOR NOTE

IT IS THE RESPONSIBILITY OF THE CONTRACTOR TO NOTIFY THE ARCHITECT, LANDLORD AND TENANT OF ANY DISCREPANCIES ENCOUNTERED ON THE PLANS OR IN EXISTING SITE CONDITIONS PRIOR TO SUBMISSION OF BID. BIDDERS ARE TO VISIT THE SITE AND FAMILIARIZE THEMSELVES WITH EXISTING CONDITIONS AND SATISFY THEMSELVES AS TO THE NATURE AND SCOPE OF THE WORK. THE BASE BID SHALL REFLECT MODIFICATIONS TO SYSTEMS AND DEVICES AS REQUIRED BY STATE, LOCAL AND FEDERAL CODES WHETHER INDICATED OR NOT ON CONTRACT DOCUMENTS. THE SUBMISSIONS OF A BID WILL BE EVIDENCE THAT SUCH AN EXAMINATION AND COMPLIANCE WITH GOVERNING CODES/REQUIREMENTS HAS BEEN MADE. LATER CLAIMS FOR LABOR, EQUIPMENT, OR MATERIALS REQUIRED OR FOR DIFFICULTIES ENCOUNTERED WHICH COULD HAVE BEEN FORESEEN HAD AN EXAMINATION AND CODE/REQUIREMENTS REVIEW BEEN MADE, WILL NOT BE ALLOWED.

NOT FOR CONSTRUCTION

CITYSTUDIOS ARCHITECTURE
1148 Main Street
Cincinnati, OH 45202
ph: 513.621.0750
citystudiosarch.com

advantage
STRUCTURAL ENGINEERS
1527 Madison Road
Cincinnati, OH 45206
513.396.8900
www.advantageSE.com

VIXO&VIXO
Civil Engineers, Surveyors, and Landscape Architects
1600 Riverchase Parkway
Cincinnati, OH 45240
www.vixov.com

PE Services
CONSULTING FOR THE BUILDING INDUSTRY
1-877-878-8810
www.pestudios.com
9 North Broadway
Lebanon, OH 45046
513-836-3810

RUSS ALLEY
1623 - 1625 VINE STREET, 1624 REPUBLIC STREET
(1625 VINE HPTC APPLICATION)
CINCINNATI, OH 45202

3CDC CINCINNATI CENTER CITY DEVELOPMENT CORPORATION

ISSUE LOG:
04.02.2023
ISSUE FOR PERMIT
09.21.2023
OHFA PRELIM. SUBMISSION

ATTIC FIRE PROTECTION PLAN

SP3.5